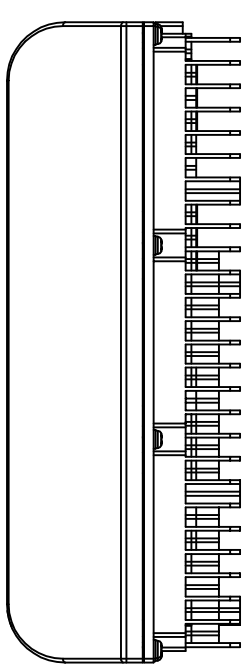


8 7 6 5 4 3 2 1



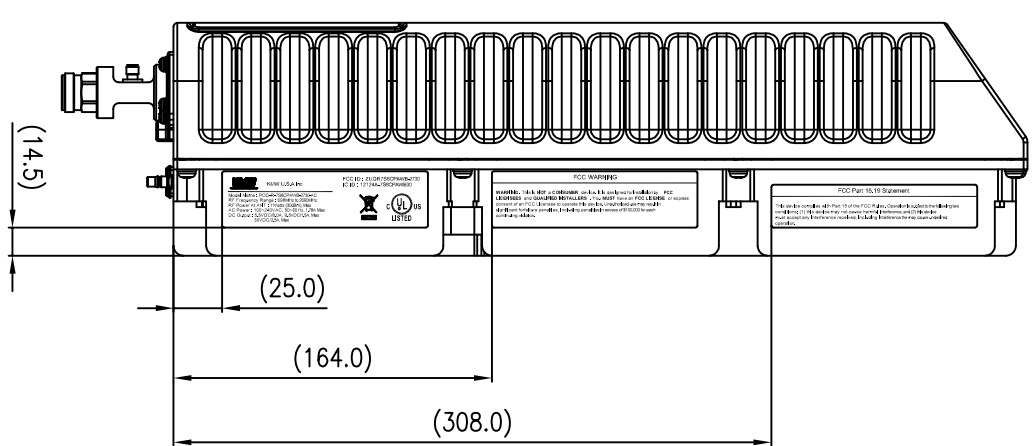
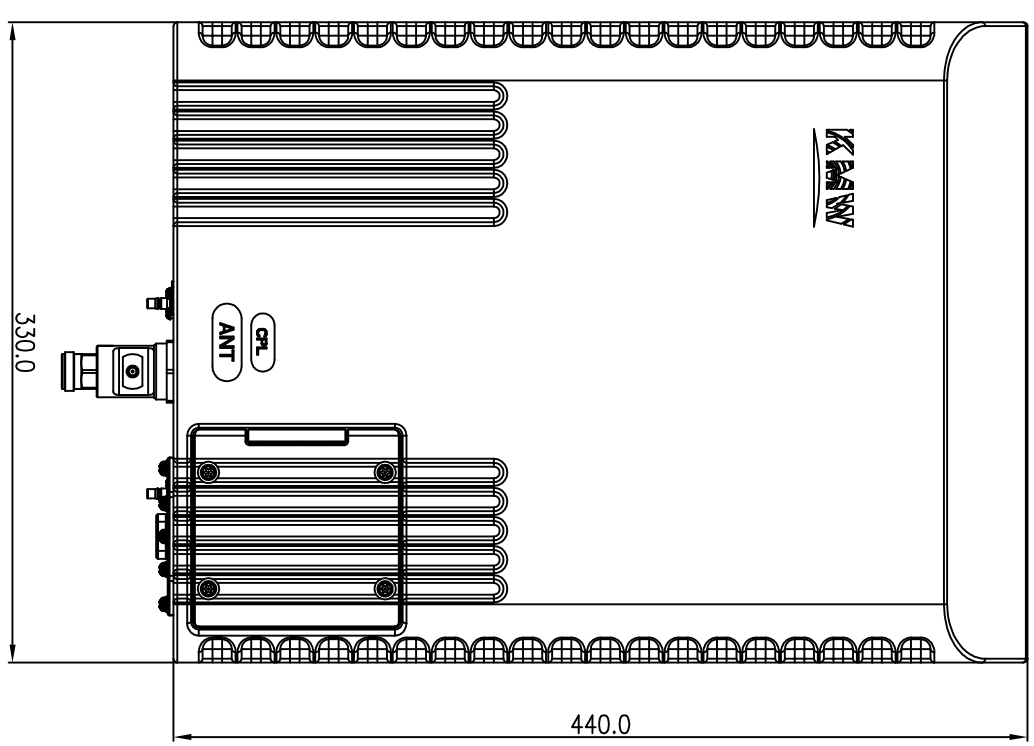
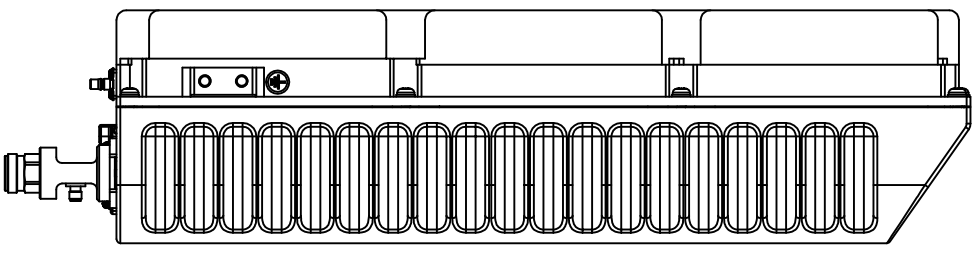
**KMW**  
KMW U.S.A Inc

FCC ID : ZUQR7S8CPAWB-2730  
IC : 12124A-7S8CPAWB30

Model Name : POD-R-7S8CPAWB-2730-AC  
RF Frequency Range : 698MHz to 2690MHz  
RF Power At ANT : 1Watts (30dBm), Max  
AC Power : 100-240VAC, 50-60 Hz, 1.78A Max  
DC Output : 5.5VDC/8.0A, 9.5VDC/1.5A, Max  
30VDC/2.5A, Max

**UL**  
LISTED

FCC & UL LABEL



FCC Part 20 Industrial Booster Statement

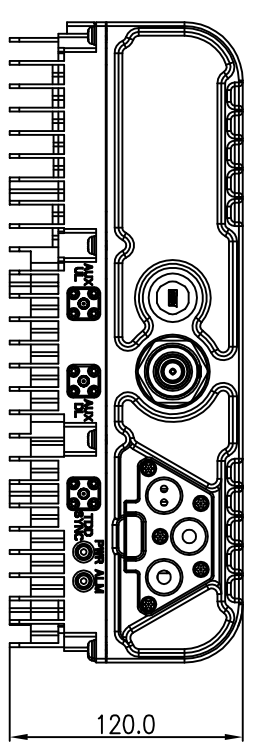
**WARNING:** This is **NOT** a **CONSUMER** device. It is designed for installation by **FCC LICENSEES** and **QUALIFIED INSTALLERS**. You **MUST** have an **FCC LICENSE** or express consent of an FCC Licensee to operate this device. Unauthorized use may result in significant forfeiture penalties, including penalties in excess of \$100,000 for each continuing violation.

FCC STATEMENT LABEL (Part 20)

FCC Part 15.19 Statement

This device complies with Part 15 of the FCC Rules. Operation is subject to the following two conditions: (1) this device may not cause harmful interference, and (2) this device must accept any interference received, including interference that may cause undesired operation.

FCC STATEMENT LABEL (Part 15)



NOTES

1. LABEL MATERIAL : WHITE PET (2M WPET B1000M, BL KOREA M)



NAME	SIGN	DATE
DRAWING		
DESIGN		
CHECK		
APPROVAL		

UNLESS OTHERWISE SPECIFIED :  
DIMENSION ARE IN MM  
TOLERANCE ANGLUAR

DECIMAL SEE TABLE

MODEL NAME :  
DAS RU  
(K14ST034Z)

PART NAME :  
7BAND\_FCC\_UL\_LABEL

SPEC : -  
CODE NO : -

MATERIAL : SEE NOTE 1

SCALE	SIZE
1/4	A3

SHEET	REV
1/1	-

ZONE	REVISION
REV	DESCRIPTION

REV. CORD	DESCRIPTION	Q'TY	REMARKS
A	최수 변경	0	
B	제치 변경	0	
C	FINISH 변경	0	
D	형상 변경	0	
E	기타	0	

본 문서의 내용은 (주)케이엠더블유외 상업기밀로써, 무단으로 제3자에게 공개, 복사, 배포 및 사용하게 할 수 없습니다. (STRICT CONFIDENTIAL INFORMATION)