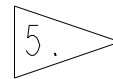
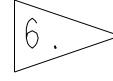
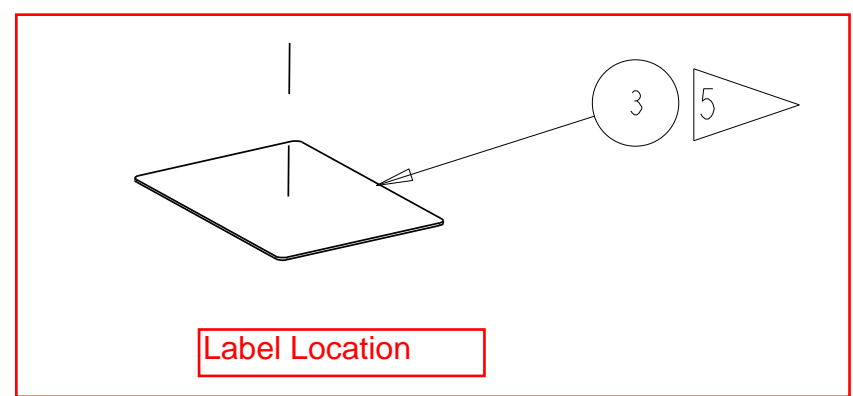
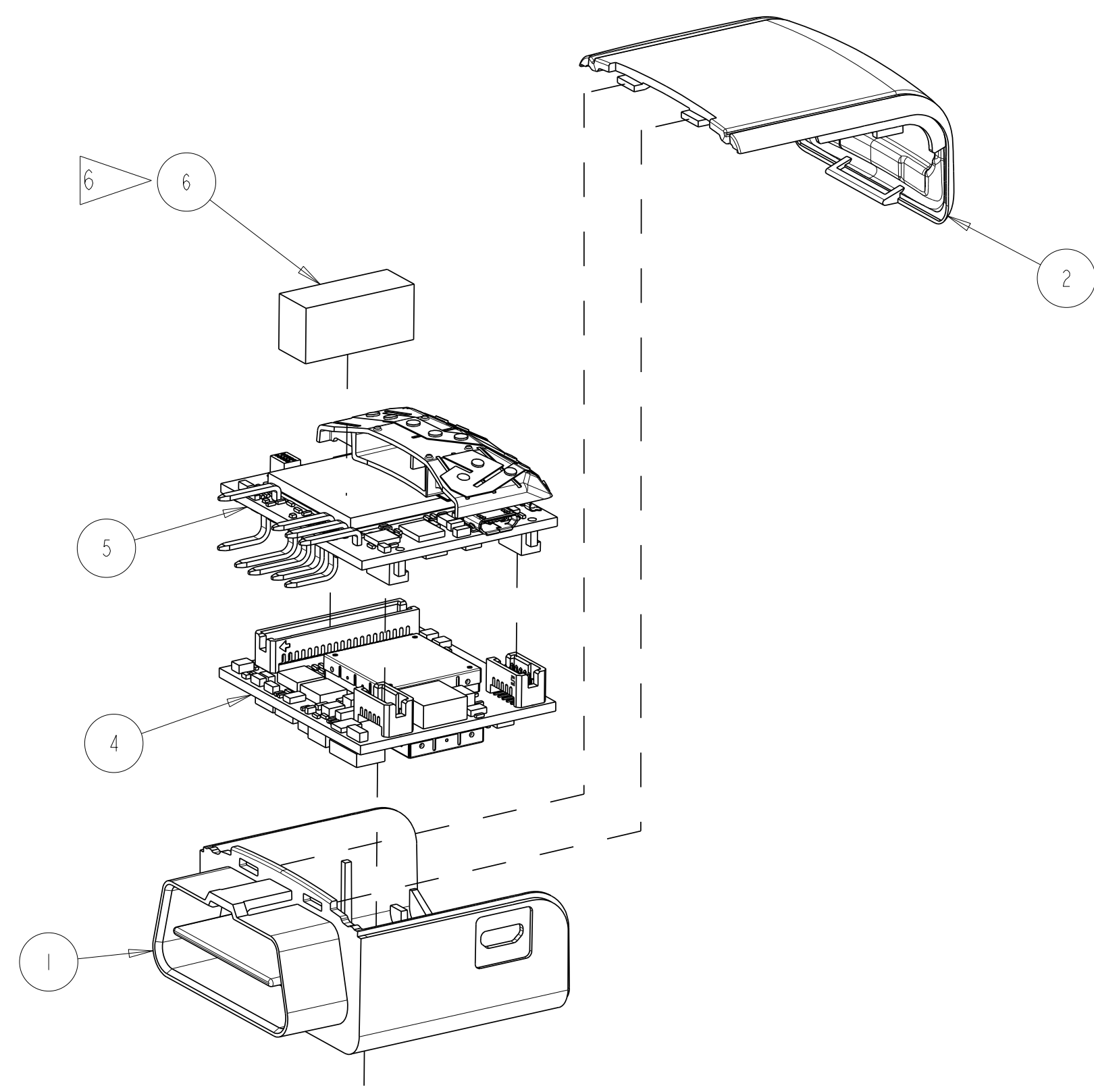
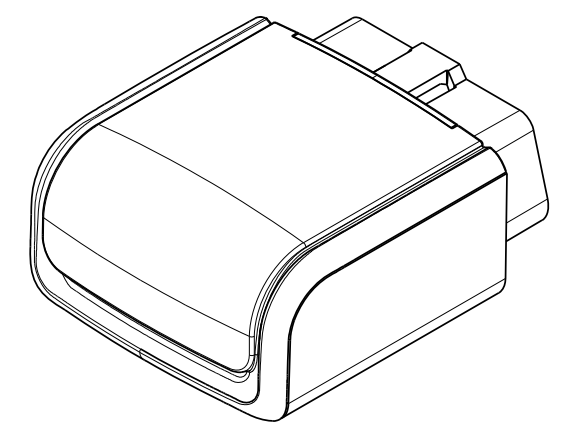



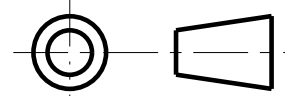
NOTES:

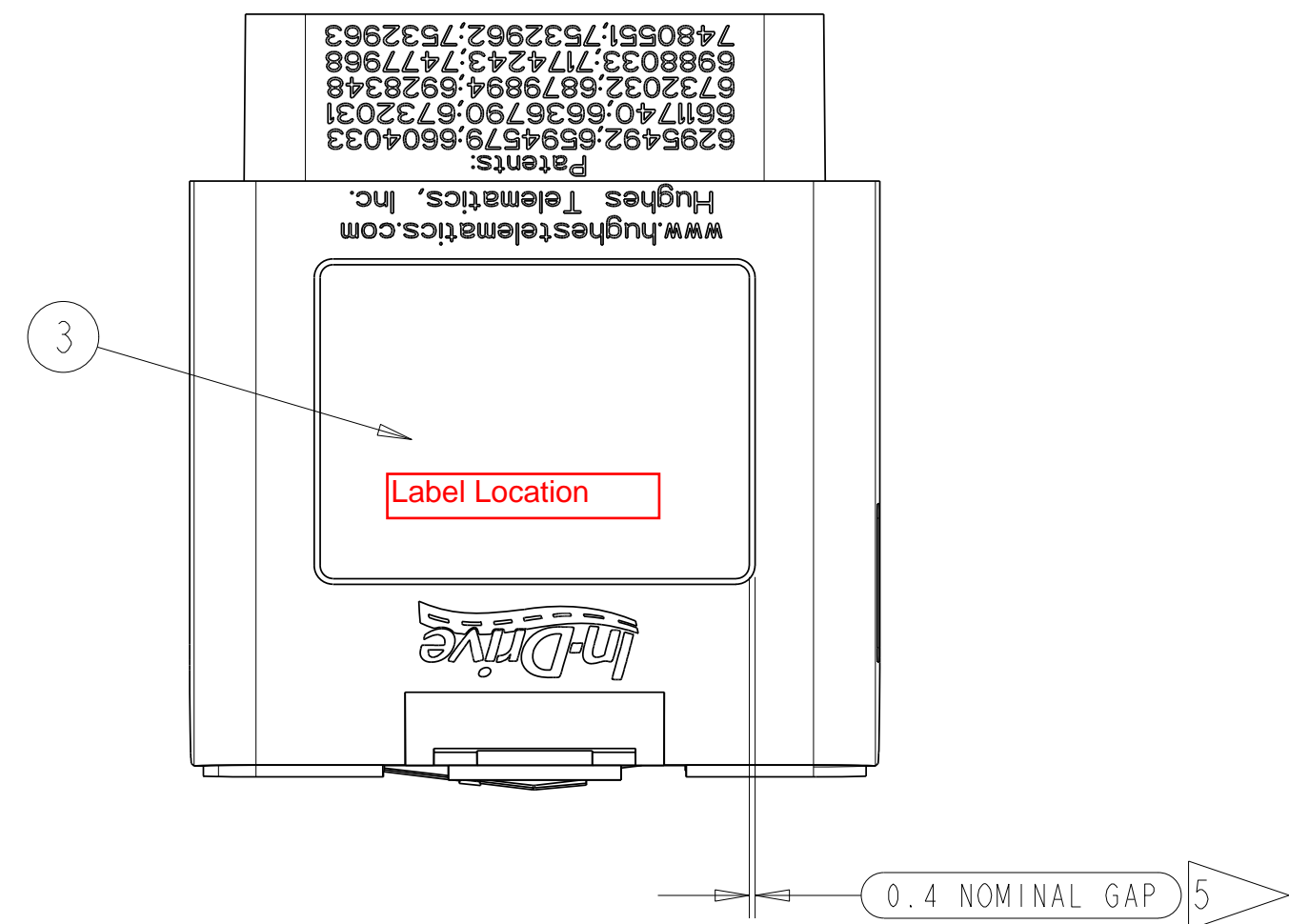
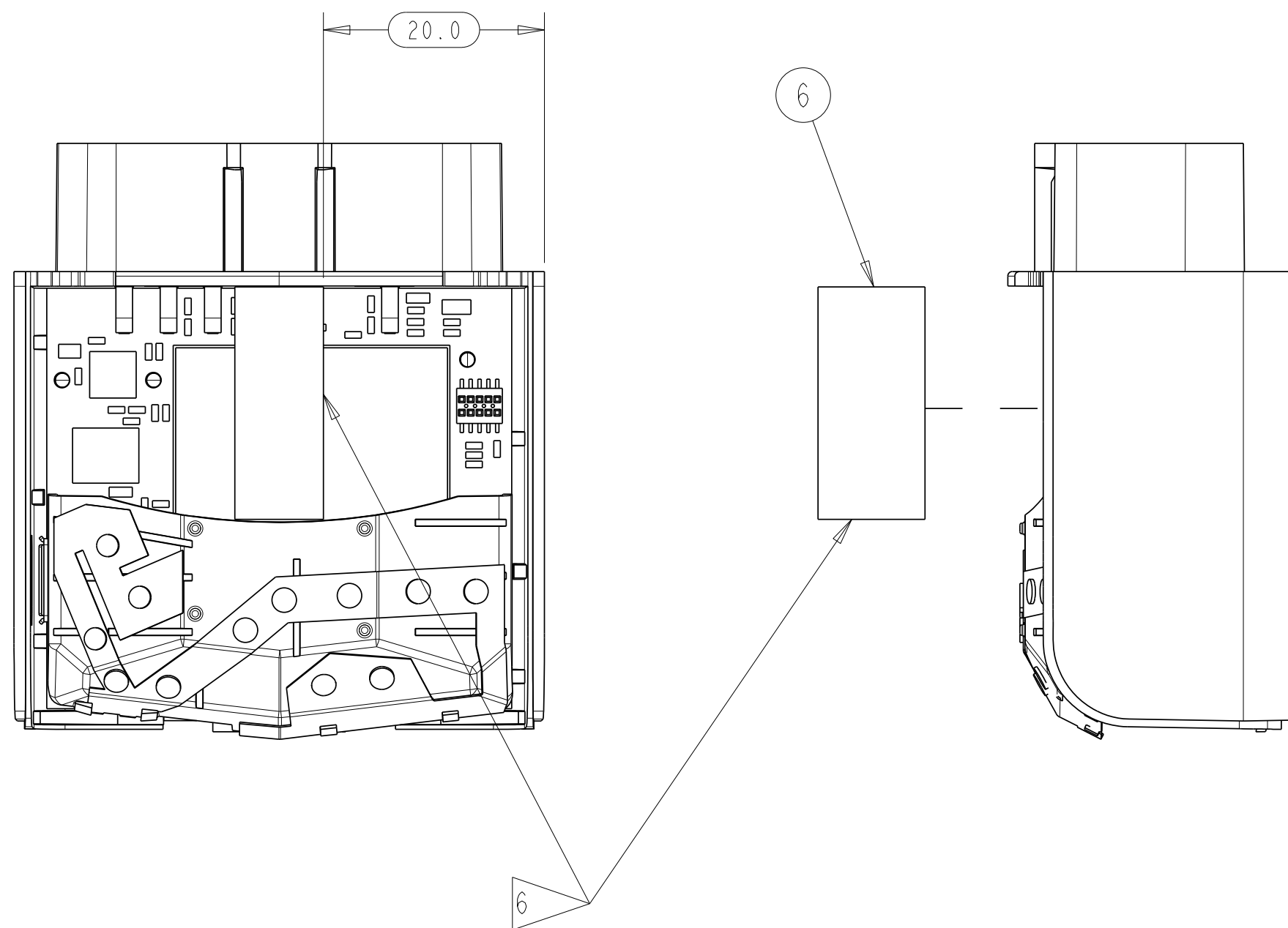
1. FOLLOW ASSEMBLY INSTRUCTIONS IN DOCUMENT 02-10070(A00).PPT. FOR DISASSEMBLY, FOLLOW INSTRUCTIONS DOCUMENTED IN 02-10071(A00).PPT.
2. THE USB CONNECTOR MUST BE CYCLED TO CONFIRM CORRECT CONNECTION.
4. KEY FEATURE INSPECTION DIMENSIONS ARE INDICATED WITH RACETRACK OUTLINE.
5.  ADHERE 09-10107 TO THE RECESSED AREA ON THE BOTTOM SURFACE OF 09-10083. SEE SHEET 2.
6.  ADHERE 09-10101 TO THE TOP SURFACE OF 05-10014. SEE SHEET 2.


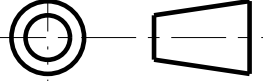
REVISION HISTORY			
REV	DESCRIPTION	DATE	APPROVED
A00	INITIAL RELEASE	110503	BW



ITEM	QTY.	PART NUMBER	DESCRIPTION
1	1	09-10083	IN-DRIVE AT-100 HOUSING, BOTTOM
2	1	09-10082	IN-DRIVE AT-100 HOUSING, TOP
3	1	09-10107	IN-DRIVE AT-100 LABEL, BAR CODE
4	1	09-10015	IN-DRIVE AT-100 PCA, GPS
5	1	09-10014	IN-DRIVE AT-100 PCA, GSM
6	1	09-10101	IN-DRIVE AT-100 SPACER

UNLESS OTHERWISE SPECIFIED DIM ARE IN MILLIMETERS TOL ON ANGLES $\pm 1^\circ$ 0 PLACE $\pm 0.5$ 1 PLACE $\pm 0.2$ INTERPRET DIM AND TOL PER ASME Y14.5M-1994	MODELED	110401	BW	 HUGHES TELEMATICS 2002 SUMMIT BLVD. SUITE#1800 ATLANTA, GEORGIA 30319 WWW.HUGHESTELEMATICS.COM			
	DRAWN	110503	BW				
	CHECKED						
	APPROVED						
THIRD ANGLE PROJECTION	CONFIDENTIAL HUGHES TELEMATICS, INC. OWNS THIS DOCUMENT AND DOES NOT PERMIT REPRODUCING, COPYING, DISTRIBUTING, OR DIVULGING THEREOF WITHOUT WRITTEN CONSENT.		IN-DRIVE AT-100 ASSEMBLY				
	SIZE	A2	CAGE CODE	DWG NO	09-10087	REV	A00
	SCALE	1:1		SHEET	1	OF	2



UNLESS OTHERWISE SPECIFIED DIM ARE IN MILLIMETERS TOL ON ANGLES $\pm 1^\circ$ 0 PLACE $\pm 0.5$ 1 PLACE $\pm 0.2$ INTERPRET DIM AND TOL PER ASME Y14.5M-1994	MODELED	110401	BW	 HUGHES TELEMATICS 2002 SUMMIT BLVD, SUITE#1800 ATLANTA, GEORGIA 30319 WWW.HUGHESTELEMATICS.COM			
	DRAWN	110503	BW				
	CHECKED						
	APPROVED						
THIRD ANGLE PROJECTION	CONFIDENTIAL HUGHES TELEMATICS, INC. OWNS THIS DOCUMENT AND DOES NOT PERMIT REPRODUCING, COPYING, DISTRIBUTING, OR DIVULGING THEREOF WITHOUT WRITTEN CONSENT.		IN-DRIVE AT-100 ASSEMBLY				
	SIZE	A2	CAGE CODE	DWG NO	09-10087	REV	A00
	SCALE	1:1		SHEET	2 OF 2		