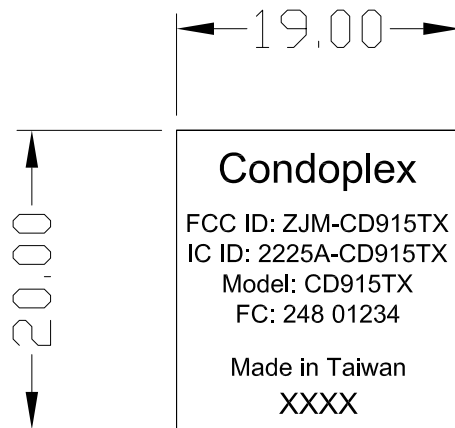


Condoplex
 FCC ID: ZJM-CD915TX
 IC ID: 2225A-CD915TX
 Model: CD915TX
 FC: 248 01234
 Made in Taiwan
 XXXX

SCALE 1:1

REVISIONS				
REV.	ACC.	DESCRIPTION	DRN.	DATE
1				



SCALE 2:1

XXXX
 YEAR MONTH
 (DATE CODE)

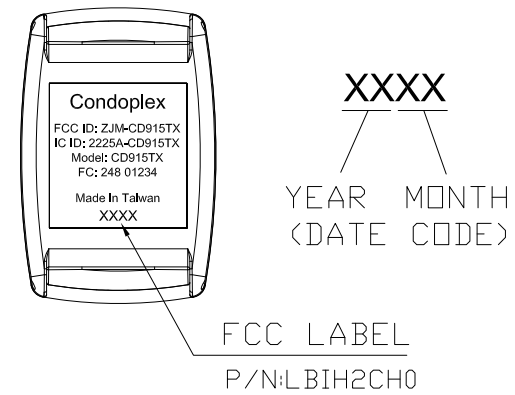
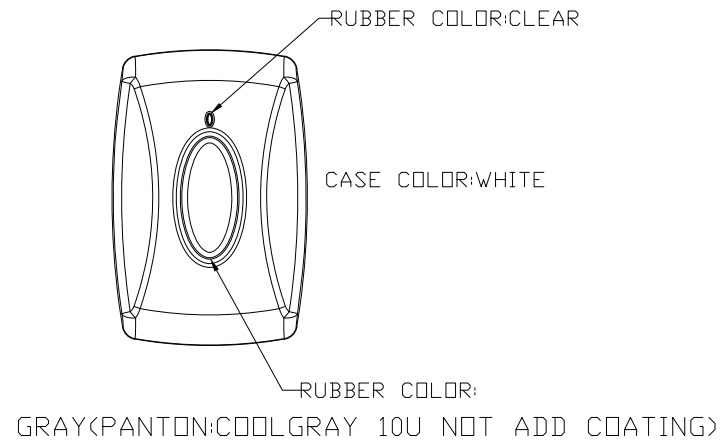
P/N:LBIH2CH0

NOTE:

- COLOR: CLEAR
- PRINTING COLOR: DARK BLUE (PANTONE 2965C)
- MATERIAL: Mylar (T=0.1mm)
- COATING: GLAZE
- TEST Temperature: 85c/1hr; -40c/1hr; Circles: 3
- ONE SIDE ADHESIVE.

SCALE: 1:1	UNIT: M/M	DRN BY Eason	DATE 2023/6/14	NUTEK CORPORATION				
MATERIAL		CHK BY Horace		TITLE CD915TX FCC LABEL				
FINISH		APPD BY Gitty		DATE 2023/6/14	SIZE A4	DEPT	DRAWING NO 98H0020-7	REV 0
CODE		SHEET		OF				

Top Secret	Secret	Confidential	Unclassified
REVISIONS			
REV.	ACC.	DESCRIPTION	DRN. DATE
△			



SCALE: 1:1	UNIT: M/M	DRN BY Eason	DATE 2023/6/16	NUTEK CORPORATION			
MATERIAL	CHK BY Horace	2023/6/16		TITLE CD915TX FCC LABEL 黏貼位置			
FINISH	APPD BY Gritty	2023/6/16		SIZE A4	DEPT	DRAWING NO 1120040	REV 0
CODE	SHEET	OF					