

DUNE HD TV-204W



Quick Start Guide • Краткое руководство

• English

• Русский

Dune HD TV-204W Quick Start Guide

Table of Contents

4 English Quick Start Guide

- Introduction
- Key Features
- Extra Functions
- Package Contents
- Exterior
- Remote Control
- Getting Started
- Quick Setting of Video Output Mode
- Connecting USB Drives
- Accessing Network Drives
- Formatting HDD
- Switching the Player On and Off
- NAS (Network Attached Storage)
- Wi-Fi
- Limitations
- Updating Your Player and Getting More Information

15 Русский Краткое руководство

- Введение
- Основные особенности
- Дополнительные функции
- Содержимое коробки
- Внешний вид
- Пульт управления
- Начало работы
- Быстрое изменение видеорежима
- Подключение USB-накопителей
- Доступ к сетевым дискам
- Форматирование жесткого диска
- Включение и выключение проигрывателя
- NAS (Network Attached Storage)
- Wi-Fi
- Ограничения
- Обновление плеера и доп. информация

Introduction

Dune HD TV-204 is an all-in-one solution for up to Full HD (1080p) video playback.

Key Features

- **The newest Sigma Designs SMP8756 media processor:** enjoy excellent playback and performance of interactive features.
- **HEVC (H.265):** Supports revolutionary HEVC (High Efficiency Video Coding) feature for decoding HEVC encoded video files and IPTV/OTT streams.
- **HDD player:** connect an HDD to the player and play content directly from the HDD.
- **Network player:** connect the player to a local network and play content directly from PC or NAS (UPnP, SMB, NFS).
- **MKV player:** play HD and SD video in a popular MKV format and other modern video file formats, including top quality HD video with very high bitrate.
- **3D Video support:** supports all modern 3D video standards such as MVC, SBS and Top/Bottom.
- **3USB ports:** conveniently connect HDDs, USB flash drives, USB card readers and other USB storage devices.
- **HDMI port:** ensure the best possible quality of HD video and HD audio.
- **Video output flexibility:** output video in any resolution and format (from SD to 1080p, 24p/PAL/NTSC).
- **Upscaling:** high quality upscaling of DVD and any other SD video content to Full HD (1080p) or other HD resolution.
- **File browser:** convenient file browser with powerful file management (copy, move, delete, rename, organize, sort).

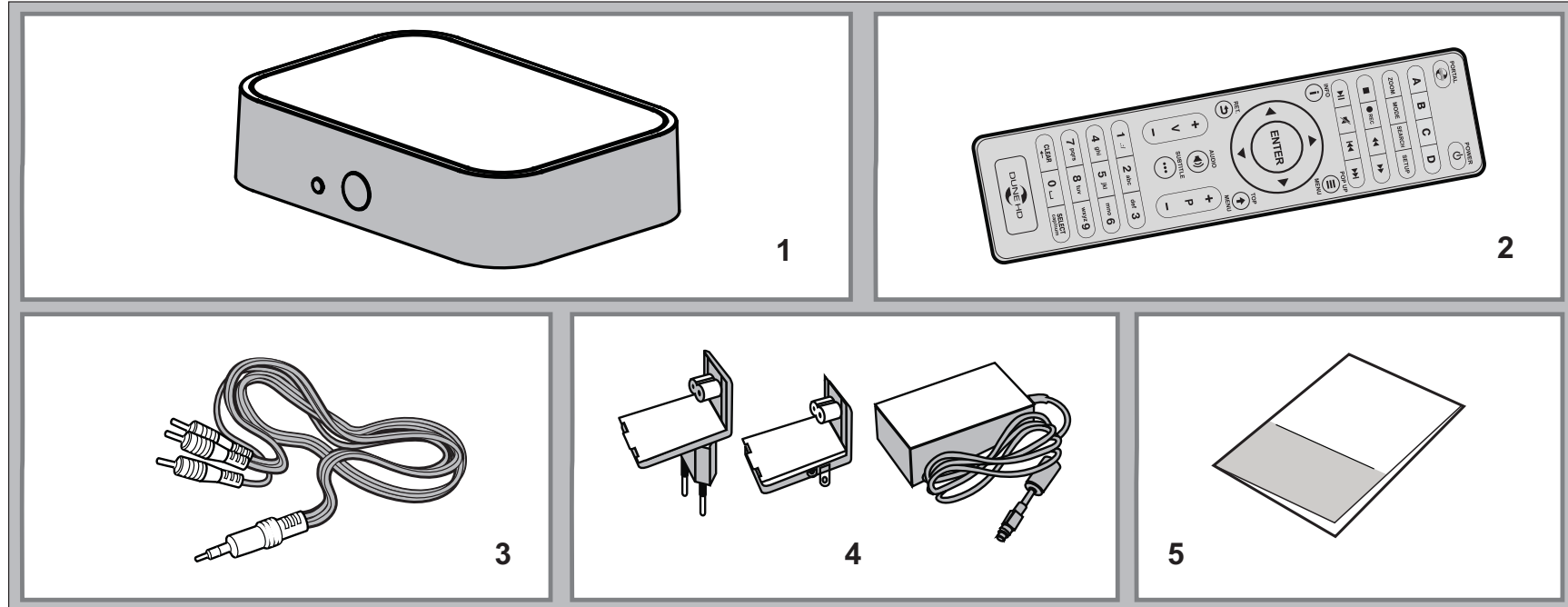
Extra Functions

- **High-quality music playback:** play very high-quality (up to 192 Khz / 24-bit) music files in various formats (FLAC, Monkey's Audio APE, WAV/PCM, etc).

- **Playlists:** build playlists from your folders, use your own playlists, use repeat and shuffle functions.
- **NAS function:** access files on storage devices (HDD, optical drive, etc) attached to the player from the local network (using SMB or FTP).
- **Customizable user interface:** work with media collections using cover art and icon browsing (with Full HD graphics).
- **Internet radio:** playback and record various Internet radio stations (HTTP/MP3 and other formats).
- **Digital TV:** playback and record Digital TV channels using an internal tuner for terrestrial or cable TV*.

* *For modifications with internal tuners for terrestrial or cable TV only.*

Package Contents






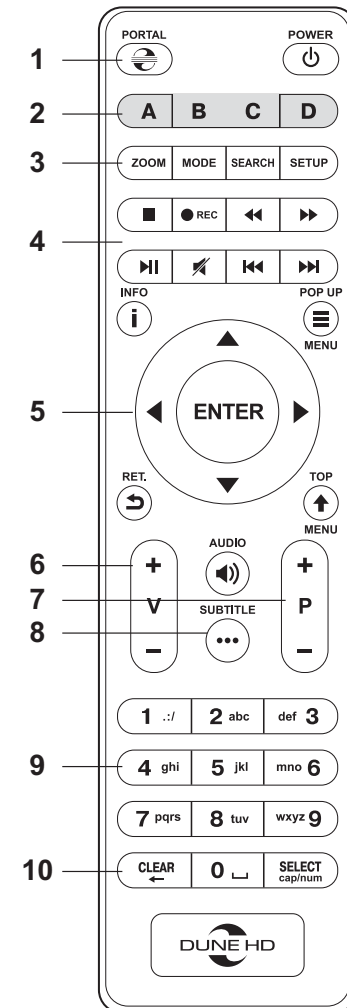
1. Dune HD TV-204 media player
2. Remote control (batteries may not be included)

3. AV cable (3.5mm minijack to 3xRCA)
4. External power supply
5. Quick start guide

NOTE: Additional items (optional) may be included into the package, depending on player configuration, region, and distributor.

Remote Control

1.  — reserved (optional), **POWER** — toggle the standby mode.
2. **A (Red), B (Green), C (Yellow), D (Blue)** — control some player functions.
3. **ZOOM** — change the zoom factor for the video content being played. **MODE** — switch the video output mode; control some other player functions. **SEARCH** — jump to a specified playback position. **SETUP** — enter/leave the setup menu; adjust playback settings during playback. **REC** — start/stop TV channel recording.
4.  — control the playback. **MUTE** — turn the sound on/off.
5. Arrows , **ENTER**, **RETURN**, **TOP MENU**, **POP UP MENU**, **INFO** — main buttons for controlling the player (navigate across the items on the screen, open/use the currently selected item, go back to the previous screen, go to main menu, show popup menu with actions, show information, control some other player functions).
6. **V+/V-** (volume up / volume down) — adjust the volume.
7. **P+/P-** (page up / page down) — scroll up and down in various lists; control some other player functions.
8. **SUBTITLE**, **AUDIO** — choose an audio track or subtitles during playback (if presented)



9. **0–9** — enter numbers and text; control some other player functions.

10. **CLEAR, SELECT** — control some player functions.

NOTES:

- *Use alkaline AAA batteries.*
- *Observe polarity when inserting batteries.*
- *Direct the remote control to the player. There must be no obstacles between the RC and the player.*
- *If RC functions only at short distances or stops functioning, make sure to replace the batteries.*
- *Some RC buttons may have several functions depending on the current player mode.*
- *Some RC buttons may be available only in certain player modes or only during playback of a certain content.*

Getting Started

Ensure there is enough space around the player for proper cooling. The space at each side should be not less than 10 cm.

Ensure the RC has batteries installed.

Connect the player to your TV and to other A/V equipment in an appropriate way. Use HDMI connection to get the best possible quality of video and audio. Make sure to switch off the player and all relevant A/V equipment before connecting them. Ensure your TV and other A/V equipment are configured to use proper inputs.

Switch on the player. The player will perform its initial loading procedure, which may take up to about 1 minute. During the loading procedure, "DUNE HD" logo is shown on the TV.

- If you do not see "DUNE HD" logo on the TV when you switch on the player, it may mean some problem with the connection between the player and the TV or that a wrong video input is chosen in the TV or A/V receiver/switch. In such a case, recheck the cables and the settings of the TV or A/V receiver/switch, or try to use different cables or a different way of connecting the player to the TV.
- If you see "DUNE HD" logo on the TV when you switch on the player, but then the picture disappears and no other picture appears during at least 10 seconds, it may mean that a wrong video output mode is configured in the player. In such a case, press the "REC" RC button, and then press one of the RC buttons "1", "2", "3", "4" or "5" to switch to a different video output mode (see "Quick Setting of Video Output Mode").

Finally, you should see the main screen of the player menu. The main screen shows items allowing to use different player functions and access all storage devices and network drives connected to the player.

Adjust the player settings as needed using "**SETUP**" item on the main screen of the player menu. In particular, you may want to adjust video settings, audio settings, and network settings.

To choose the language of the player menu, use "Setup / General / Interface language" setting.

Use the RC buttons "**LEFT**", "**RIGHT**", "**UP**", "**DOWN**", "**ENTER**", "**RETURN**" to navigate through the player menu. Use the "**POP UP MENU**" RC button to show the list of available commands. Use the "**INFO**" RC button to show the information about the selected item.

Quick Setting of Video Output Mode

The "**REC**" RC button allows quick setting of video output mode without entering the player setup menu. This way of video output configuration may be required if you see no picture on the screen after connecting your player to a TV.

Press the "**REC**" RC button and then one of the RC buttons "**1**", "**2**", "**3**", "**4**", or "**5**" to switch to one of the following video output modes respectively:

1. Composite PAL
2. Composite NTSC
3. HDMI, 480i, 60 Hz
4. HDMI, 720p, 60 Hz
5. HDMI, 1080i, 60 Hz

After you see a picture on the TV, press the "**ENTER**" RC button, and then go to the player setup menu to perform a more precise configuration of the video output mode if needed.

NOTE: *The procedure of quick setting of video output mode can not be used during playback and in some other cases. To ensure this procedure can be used, switch the player off, then switch the player on, and the wait about 1 minute to ensure the player loading is finished. After that press «STOP» RC button to ensure playback is stopped. Then use «REC» RC button.*

Connecting USB Drives

To connect a USB drive, ensure you are on the main screen of the player menu and connect the USB drive to an USB port of the player. The player will recognize the USB drive, and will show an item corresponding to the USB drive on the main screen.

When connecting a USB drive requiring significant power (such as USB HDD), use an external power supply for the USB drive. Power provided by the USB ports of the player may not be enough for correct functioning of the USB drive. Do not disconnect or switch off the USB drive when some write operation is in progress.

Accessing Network Drives

To connect a network drive using SMB or NFS protocol, ensure you are on the main screen of the player menu, press the “MENU” RC button, and choose “Create Network Folder”, then fill the parameters of the network drive as needed. The player will show an item corresponding to the configured network drive on the main screen.

To browse the list of network resources accessible via SMB or UPnP protocols, use “Network Browser” item on the main screen of the player menu.

NOTE: *If some network resources are not shown by the player, you may need to wait some minutes and then retry (or press the “MENU” RC button and choose “Refresh” command).*

Formatting HDD

To format a HDD attached to the player, select the HDD item on the main screen of the player menu, press the “INFO” RC button and choose “Format Disk” (to format the entire disk) or “Format Partition” (or to format an already existing disk partition only). The player will format the disk. To format an unformatted HDD, just press the “ENTER” RC button on the HDD item.

NOTE: *To use disks formatted by the player on a Windows PC, you may need to install additional software on the PC, such as “EXT2FSD” (<http://www.ext2fsd.com/>).*

Switching the Player On and Off

To put the player into the standby mode, press the «POWER» RC button. To exit the standby mode, press this buttons again.

Depending on the player settings (see the player setup menu), the «hardware standby» or «software standby» mode may be used. In the «hardware standby» mode, almost complete power-off takes place and the player consumes almost no power. In the «software standby» mode, the player produces no signal on the video output, but is still functioning. For example, if you have some storage devices connected to the player, you may still access them from network («NAS» function of the player). Exiting the «software standby» mode takes just a few seconds. When the player is in the «software standby» mode, it still consumes significant power. It is not recommended to keep the player in the «software standby» mode for a while if you do not need it.

To switch the player off completely, disconnect the power plug.

NOTE: After switching off the player completely or putting the player into the «hardware standby» mode, it is recommended to wait about 1 minute before switching it on again.

NAS (Network Attached Storage)

You can access storage devices connected to the player from the local network using FTP and SMB protocols. On a Windows PC, just type «ftp://ip_address» or «\\ip_address» in the Windows explorer, where «ip_address» is the IP address of the player.

Wi-Fi

If you player does not include a built-in Wi-Fi adapter, you can use a USB Wi-Fi adapter to connect the player to the local network via Wi-Fi.

Please see here for the information on supported USB Wi-Fi adapters: http://dune-hd.com/support/hw_compat/

Limitations

Compatibility of the player with a particular hardware (A/V equipment, network equipment, disk drives, etc) may depend on various factors (particular hardware model, specifics of hardware installation and usage, configuration of the player and the hardware, etc). If the player does not correctly work with a particular hardware, try to adjust the configuration of the player or hardware, try to use the hardware in a different way, or try to use some other hardware.

Compatibility of the player with a particular media content (files, discs, etc) may depend on various factors (specifics of media content encoding, specifics of the configuration of the player, etc). If the player does not play correctly a particular media content, try to adjust the configuration of the player, or try to use media content encoded in a different way.

Updating Your Player and Getting More Information

Please check here for updated versions of player firmware (which may improve player functioning and extend player possibilities):

<http://dune-hd.com/firmware/>

(Note: You can also connect the player to Internet and use the online firmware upgrade function, see Setup / Misc / Firmware Upgrade.)

Please check here for more detailed and up-to-date documentation and information on player usage:

<http://dune-hd.com/manuals/>

<http://dune-hd.com/support/>

FCC Statement

This equipment generates, uses and can radiate radio frequency energy and, if not installed and used in accordance with the instructions, may cause harmful interference to radio communications. However, there is no guarantee that interference will not occur in a particular installation. If this equipment does cause harmful interference to radio or television reception, which can be determined by turning the equipment off and on, the user is encouraged to try to correct the interference by one of the following measures:

- Reorient or relocate the receiving antenna.
- Increase the separation between the equipment and receiver.
- Connect the equipment into an outlet on a circuit different from that to which the receiver is connected.
- Consult the dealer or an experienced radio/TV technician for help.

To assure continued compliance, any changes or modifications not expressly approved by the party responsible for compliance could void the user's authority to operate this equipment. (Example - use only shielded interface cables when connecting to computer or peripheral devices).

FCC Radiation Exposure Statement

This equipment complies with FCC RF radiation exposure limits set forth for an uncontrolled environment. This equipment should be installed and operated with a minimum distance of 20 centimeters between the radiator and your body.

This device complies with Part 15 of the FCC Rules. Operation is subject to the following two conditions:

- (1) This device may not cause harmful interference, and
- (2) This device must accept any interference received, including interference that may cause undesired operation.

This transmitter must not be co-located or operating in conjunction with any other antenna or transmitter.

Введение

Dune HD TV-204 представляет собой решение «все-в-одном» для воспроизведения видео вплоть до Full HD (1080p).

Основные особенности

- **Новейший процессор Sigma Designs SMP8756:** обеспечивает отличное воспроизведение и высокую скорость работы с интерактивными возможностями.
- **HEVC (H.265):** Поддержка революционного формата HEVC/H.265 для декодирования HEVC-видеофайлов и потокового видео, используемого в IPTV/OTT-сервисах.
- **Сетевой проигрыватель:** подключение проигрывателя к локальной сети и воспроизведение содержимого напрямую с ПК или NAS (UPnP, SMB, NFS).
- **Проигрывание с жесткого диска:** подключение жесткого диска к проигрывателю и воспроизведение содержимого непосредственно с этого диска.
- **Проигрывание MKV:** воспроизведение HD и SD видео в популярном формате MKV, а также в других современных форматах видеофайлов, включая HD-видео высочайшего качества с очень высоким битрейтом.
- **Поддержка 3D видео:** воспроизведение трехмерного видео во всех современных популярных форматах, таких как горизонтальная и вертикальная стереопара, а также MVC.
- **3USB-порта:** удобное подключение жестких дисков, накопителей USB-Flash, кард-ридеров и других USB-устройств хранения данных.
- **HDMI-порт:** обеспечивает наилучшее качество HD-видео и HD-аудио.
- **Гибкая система вывода видео:** вывод видео в любом разрешении и формате (от SD до 1080p, 24p/PAL/NTSC).

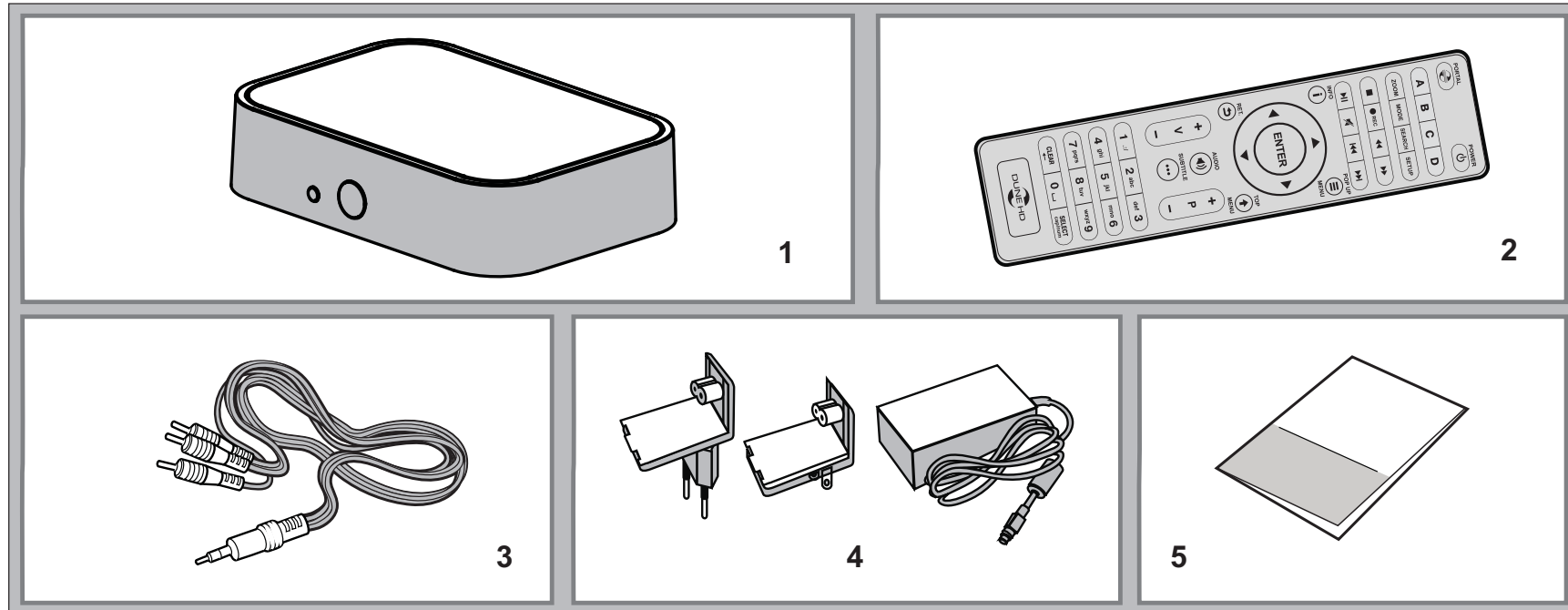
- **Увеличение разрешения (upscaling):** высококачественное повышение разрешения DVD и любых других SD-видеоматериалов до Full HD (1080p) или другого HD-разрешения.
- **Файловый браузер:** удобный файловый браузер с богатыми возможностями работы с файлами (копирование, перемещение, удаление, переименование, организация, сортировка).

Дополнительные функции

- **Воспроизведение аудиофайлов с наивысшим качеством:** до 192 КГц / 24-бит, в форматах FLAC, Monkey's Audio APE, WAV/PCM и других.
- **Плейлисты:** создание плейлистов из папок, использование собственных плейлистов, функции повтора и случайного воспроизведения.
- **Функция NAS:** доступ к файлам на накопителях (HDD, оптический привод, и т.п.), подключенных к плееру, из локальной сети (посредством SMB или FTP).
- **Настраиваемый пользовательский интерфейс:** поддержка медиакolleкций с показом обложек и значков (с графикой Full HD).
- **Интернет-радио:** воспроизведение и запись различных интернет-радиостанций (HTTP/MP3 и в других форматах).
- **Digital TV:** воспроизведение и запись телепрограмм посредством встроенного цифрового тюнера эфирного и кабельного ТВ*.

* Только для модификаций со встроенным цифровым тюнером эфирного и кабельного ТВ.

Содержимое коробки





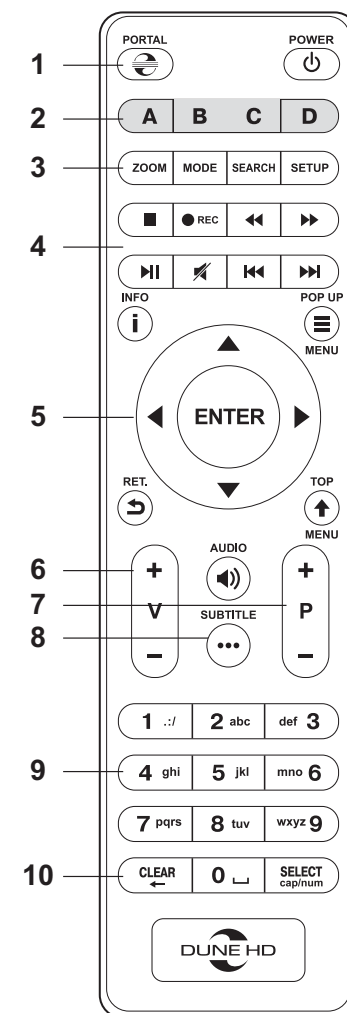
1. Проигрыватель Dune HD TV-204
2. Пульт управления (батарейки
могут не входить в комплект)

3. Аудио-видеокабель
4. Внешний блок питания
5. Краткое руководство

ПРИМЕЧАНИЕ: Другие аксессуары (опционально) могут дополнительно включаться в комплект поставки в зависимости от конфигурации проигрывателя, региона и дистрибьютора.

Пульт управления

1.  — зарезервировано. **POWER** — перевод проигрывателя в/из режима ожидания.
2. **A (красная), B (зеленая), C (желтая), D (синяя)** — управление некоторыми функциями проигрывателя.
3. **ZOOM** — изменение масштаба воспроизводимых видеоматериалов. **MODE** — переключение режимов видеовыхода; управление некоторыми другими функциями проигрывателя. **SEARCH** — переход к заданной позиции воспроизведения. **SETUP** — вход/выход в меню настроек; настройка параметров воспроизведения во время воспроизведения. **REC** — начать/закончить запись ТВ-канала.
4.  — управление ходом воспроизведения.
MUTE — выключение и включение звука.
5. Стрелки  **ENTER, RETURN, TOP MENU, POP UP MENU, INFO** — основные кнопки управления проигрывателем (выбор элементов на экране, к главному меню, вывод контекстного меню с действиями, показ информации, управление некоторыми другими функциями проигрывателя).
6. **V+/V-** (увеличение громкости / уменьшение громкости) — изменение громкости.
7. **P+/P-** (страница вверх / страница вниз) — прокрутка вверх и вниз в различных списках; управление некоторыми другими функциями проигрывателя.



8. SUBTITLE, AUDIO — управление выбором звуковой дорожки и субтитров.

9. 0–9 — *ввод цифр и текста; управление некоторыми другими функциями проигрывателя.*

10. CLEAR, SELECT — управление некоторыми функциями проигрывателя.

Примечания:

- *Используйте щелочные (alkaline) батарейки типа AAA.*
- *Соблюдайте полярность при установке батареек.*
- *Направляйте пульт на проигрыватель. Между пультом и проигрывателем не должно быть препятствий.*
- *Если пульт работает только с небольшого расстояния, замените батарейки.*
- *Некоторые кнопки пульта могут иметь несколько значений в зависимости от режима работы проигрывателя.*
- *Некоторые кнопки пульта могут работать только в некоторых режимах работы проигрывателя или при воспроизведении материалов определенного типа.*

Начало работы

Убедитесь, что вокруг проигрывателя достаточно места для хорошего охлаждения. Пространство с каждой стороны должно быть не менее 10 см.

Убедитесь, что в пульт вставлены батарейки.

Подключите проигрыватель к телевизору и другому аудио-видеооборудованию должным образом. Используйте HDMI-подключение для получения максимального качества видео и звука. Убедитесь, что проигрыватель и все соответствующее аудио-видеооборудование выключено при проведении подключений. Убедитесь, что телевизор и прочее аудио-видеооборудование настроено на использование нужных входов.

Включите проигрыватель. Он проведет процедуру первоначального запуска, которая займет около минуты. Во время этой процедуры на экране телевизора будет показан логотип «DUNE HD».

- Если вы не видите логотипа «DUNE HD» на экране телевизора после включения проигрывателя, это может означать проблему соединения проигрывателя и телевизора, а также выбор неправильного видеовхода в телевизоре или аудио-видеоресивере/разветвителе. В этом случае, перепроверьте кабели и настройки телевизора или аудио-видеоресивера/разветвителя, или используйте другие кабели или другой способ подключения к телевизору.
- Если вы видите логотип «DUNE HD» на экране телевизора после включения проигрывателя, но затем изображение исчезает и ничего не появляется в течение хотя бы 10 секунд, это может означать, что в проигрывателе выбран неверный видеорежим. В этом случае, нажмите кнопку пульта «**REC**», а затем одну из кнопок «**1**», «**2**», «**3**», «**4**» или «**5**» для включения другого видеорежима (см. "Быстрое изменение видеорежима").

В результате, вы должны увидеть главный экран меню проигрывателя. На главном экране показаны элементы, предоставляющие доступ к основным функциям проигрывателя и к содержимому всех подключенных к проигрывателю накопителей и сетевых дисков.

Настройки проигрывателя можно изменить, воспользовавшись элементом «Настройки» на главном экране меню проигрывателя. В частности, можно настроить параметры воспроизведения видео и аудио, а также параметры подключения к сети.

Для выбора языка меню проигрывателя, используйте настройку “Setup / General / Interface language”.

Используйте кнопки пульта «ВЛЕВО», «ВПРАВО», «ВВЕРХ», «ВНИЗ», «ENTER», «RETURN» для управления меню проигрывателя. Кнопка пульта «POP UP MENU» предназначена для показа списка доступных команд. Кнопка пульта «INFO» выводит информацию о выбранном элементе.

Быстрое изменение видеорежима

Кнопка пульта «REC» позволяет быстро настроить видеорежим видеовыхода без входа в меню настроек проигрывателя. Этот способ может понадобиться, если вы не видите изображение на экране после подключения проигрывателя к телевизору.

Нажмите кнопку пульта «REC» и затем одну из кнопок «1», «2», «3», «4» или «5» для включения одного из следующих видеорежимов:

1. Композитный PAL
2. Композитный NTSC
3. HDMI, 480i, 60 Гц
4. HDMI, 720p, 60 Гц
5. HDMI, 1080i, 60 Гц

После того, как изображение на экране появилось, нажмите «ENTER», а затем зайдите в меню настроек проигрывателя для более детальной настройки видеорежима, если это необходимо.

ПРИМЕЧАНИЕ: Процедура быстрого изменения видеорежима недоступна во время воспроизведения, а также в некоторых других режимах работы устройства. Для того, чтобы гарантированно выполнить эту процедуру, выключите проигрыватель, затем включите его снова и подождите около одной минуты для того, чтобы он успел провести процедуру начальной загрузки. После этого нажмите кнопку пульта «STOP» для того, чтобы гарантированно выйти из режима воспроизведения. Затем уже используйте кнопку пульта «REC».

Подключение USB-накопителей

Для подключения USB-накопителя убедитесь, что вы находитесь на главном экране меню проигрывателя, подключите USB-накопитель к одному из USB-портов. Проигрыватель распознает накопитель, и на главном экране не появится соответствующий элемент. При подключении USB-накопителя, которому требуется существенная мощность по питанию (например, жесткий диск), используйте внешний блок питания для USB-накопителя. Питание, которое предоставляет проигрыватель для USB-портов, может оказаться недостаточным для корректного функционирования USB-диска. Не отсоединяйте и не выключайте USB-накопитель во время операций записи на него.

Доступ к сетевым дискам

Для подключения сетевого диска по протоколу SMB или NFS, убедитесь, что вы находитесь на главном экране меню проигрывателя, нажмите кнопку пульта **«MENU»** и выберите пункт «Создать сетевую папку», затем введите требуемые параметры сетевого диска. Проигрыватель будет показывать элемент, соответствующий этому сетевому диску, на главном экране. Для просмотра списка доступных сетевых ресурсов по протоколу SMB или UPnP, воспользуйтесь элементом «Браузер сети» на главном экране меню проигрывателя.

ПРИМЕЧАНИЕ: Если какие-то сетевые ресурсы не показываются проигрывателем, может потребоваться подождать несколько минут и повторить попытку (либо нажать кнопку пульта **«MENU»** и выбрать команду «Обновить»).

Форматирование жесткого диска

Для форматирования подключенного к проигрывателю HDD выберите иконку HDD в главном меню проигрывателя, нажмите кнопку **«INFO»** на ПДУ и выберите элемент «Форматирование диска» (для того, чтобы отформатировать весь диск) или «Форматирование раздела» (чтобы отформатировать уже существующий раздел). Проигрыватель произведет форматирование. Для форматирования не форматированного ранее диска, нажмите кнопку **«ENTER»** на пульте, предварительно выбрав иконку HDD в меню плеера.

ПРИМЕЧАНИЕ: Для использования дисков, отформатированных проигрывателем, на компьютере с Windows, может потребоваться установка на компьютер дополнительного программного обеспечения, например, такого, как "EXT2FSD" (<http://www.ext2fsd.com/>).

Включение и выключение проигрывателя

Для перевода проигрывателя в режим ожидания, нажмите кнопку пульта «**POWER**». Для выхода из режима ожидания нажмите эту кнопку еще раз.

В зависимости от настроек проигрывателя (см. меню настроек плеера), может быть использован режим «аппаратного ожидания» или «программного ожидания». В режиме «аппаратного ожидания» питание проигрывателя почти полностью отключено и проигрыватель почти не потребляет электроэнергию. В режиме «программного ожидания» проигрыватель не выдает сигнал на видеовыход, но продолжает функционировать. Например, если к нему подключены накопители, они по-прежнему будут доступны из сети (функция «NAS» проигрывателя). Выход из режима ожидания занимает всего несколько секунд. Когда проигрыватель находится в режиме «программного ожидания», он по-прежнему потребляет значительное количество электроэнергии. Не рекомендуется надолго оставлять проигрыватель в режиме «программного ожидания» без необходимости. Для полного отключения плеера, отсоедините кабель питания.

ПРИМЕЧАНИЕ: После полного выключения проигрывателя или перевода проигрывателя в режим «аппаратного ожидания», рекомендуется подождать около 1 минуты перед повторным включением.

NAS (Network Attached Storage)

Можно получить доступ к накопителям, подключенным к проигрывателю, из локальной сети по протоколам FTP и SMB. На компьютере с Windows просто наберите «ftp://ip_address» или «\\ip_address» в Проводнике (Windows Explorer), где «ip_address» — IP-адрес проигрывателя.

Wi-Fi

Если ваш плеер не оснащён встроенным адаптером Wi-Fi, вы можете использовать Wi-Fi-адаптер, подключаемый по USB, для подключения проигрывателя к беспроводной (Wi-Fi) локальной сети. За информацией о поддерживаемых USB Wi-Fi-адаптерах обращайтесь на страницу: http://dune-hd.com/support/hw_compat/

Ограничения

Совместимость проигрывателя с конкретным оборудованием (аудио-видеооборудование, сетевое оборудование, накопители и т.п.) может зависеть от различных факторов (конкретной модели оборудования, особенностей аппаратной инсталляции и ее использования, настроек проигрывателя и оборудования, и т.п.). Если проигрыватель не работает корректно с некоторым оборудованием, попробуйте изменить конфигурацию проигрывателя или оборудования, попробуйте использовать оборудование другим образом, либо использовать другое оборудование.

Совместимость проигрывателя с конкретным видом медиаматериалов (файлы, диски и т.п.) может зависеть от различных факторов (особенности кодирования медиаматериалов, особенности настроек проигрывателя и т.п.). Если проигрыватель не воспроизводит корректно некоторые медиаматериалы, попробуйте изменить настройки проигрывателя или использовать медиаматериалы, закодированные в отличном формате.

Обновление плеера и доп. информация

Пожалуйста, проверяйте доступность обновления программного обеспечения проигрывателя («прошивки») на следующей интернет-странице (это может улучшить функциональность проигрывателя и расширить его возможности): <http://dune-hd.com/firmware/>

(Замечание: Вы также можете подключить плеер к интернет и воспользоваться функцией онлайн-обновления прошивки, см. Настройки / Разное / Обновление Прошивки.)

Гарантийный талон / заполняется продавцом /

Условия гарантии

1. Изготовитель предоставляет гарантии на данный товар в соответствии с действующим законодательством Российской Федерации по защите прав потребителей.
2. Гарантия действительна только на территории Российской Федерации. Гарантийные обязательства не распространяются на продукцию DUNE HD, приобретенную за пределами Российской Федерации.
3. Дефекты, которые могут появиться в течение гарантийного срока, будут устранены бесплатно специализированными сервисными центрами DUNE HD.
4. Срок гарантии на оборудование Dune HD составляет 12 месяцев.

Срок гарантии исчисляется со дня продажи изделия в розничной торговой сети. Если не удастся установить дату продажи, то гарантийный срок исчисляется со дня изготовления изделия.

С условиями гарантии ознакомлен, к внешнему виду и комплектности претензий не имею

Подпись
покупателя:

По всем вопросам обращайтесь в службу сервисной поддержки:
Электронная почта: service@dunesales.ru
Телефон: (495) 989-26-95. Сайт: www.rushd.ru; www.dune.ru

Модель

серийный номер

Дата продажи

Срок гарантии

Продавец

Адрес продавца

м. п. продавца



www.Dune-HD.com