

Grandstream Networks, Inc.

126 Brookline Ave, 3rd Floor  
Boston, MA 02215. USA  
Tel : +1 (617) 566 - 9300

[www.grandstream.com](http://www.grandstream.com)

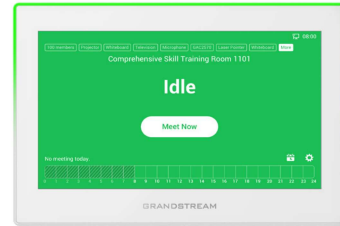


BE	BG	CZ	DK	DE	EE	IE	EL	LI
ES	FR	HR	IT	CY	LV	LT	LU	CH
HU	MT	NL	AT	PL	PT	RO	SI	TR
SK	FI	SE	NO	IS	UK	UK(NI)		

In the UK and EU member states, operation of 5150-5350 MHz is restricted to indoor use only.



For Certification, Warranty and RMA information, please visit [www.grandstream.com](http://www.grandstream.com)



**GSC3574**



**GSC3575**

HD Intercom & Facility Control Station

Quick Installation Guide

**Content**

---

English.....	1
简体中文.....	6
Español.....	11
Français.....	16
Deutsch.....	21
Italiano.....	26
Русский.....	31
Português.....	36
Regulatory Information.....	41

The GSC3574/3575 is not pre-configured to support or make emergency calls to any type of hospital, law enforcement agency, medical care unit ("Emergency Service(s)") or any other kind of Emergency Service. You must make additional arrangements to access Emergency Services. It is your responsibility to purchase SIP-compliant Internet telephone service, properly configure the GSC3574/3575 to use that service, and periodically test your configuration to confirm that it works as you expect. It is also your responsibility to purchase traditional wireless or landline telephone services to access Emergency Services.

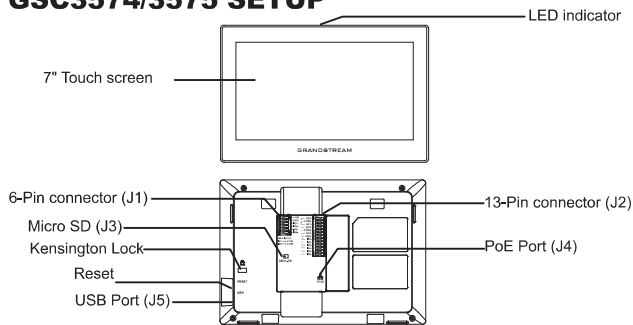
GRANDSTREAM DOES NOT PROVIDE CONNECTIONS TO EMERGENCY SERVICES VIA THE GSC3574/3575. NEITHER GRANDSTREAM NOR ITS OFFICES, EMPLOYEES OR AFFILIATES MAY BE HELD LIABLE FOR ANY CLAIM, DAMAGE, OR LOSS, AND YOU HEREBY WAIVE ANY AND ALL SUCH CLAIMS OR CAUSES OF ACTION ARISING FROM OR RELATING TO YOUR INABILITY TO USE THE GSC3574/3575 TO CONTACT EMERGENCY SERVICES, AND YOUR FAILURE TO MAKE ADDITIONAL ARRANGEMENTS TO ACCESS EMERGENCY SERVICES IN ACCORDANCE WITH THE IMMEDIATELY PRECEDING PARAGRAPH.

The GNU GPL license terms are incorporated into the device firmware and can be accessed via the Web user interface of the device at [my\\_device\\_ip/gpl\\_license](http://my_device_ip/gpl_license). It can also be accessed here: <http://www.grandstream.com/legal/open-source-software>

To obtain a CD with GPL source code information please submit a written request to [info@grandstream.com](mailto:info@grandstream.com)

~1~

**GSC3574/3575 SETUP**

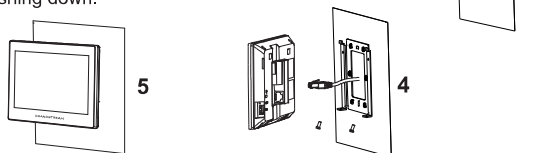


**DEVICE INSTALLATION**

The GSC3574/3575 can be mounted on the wall, the glass, or on the desktop using a 20 ° bracket . Please refer to the following steps for installation:

**On-Wall 0° Mount**

1. Drill six holes on the wall referring to the positions of the ones on the 0° installation bracket, then put the screw anchors on the position of the holes.
2. Fix the 0° installation bracket on the wall by the self-tapping screws on the positions defined.
3. Make sure the 0° installation bracket is installed properly as shown in the illustration.
4. Plug in the cables to the proper GSC3574/3575 ports on the back, and fix the 0° installation bracket with the GSC3575/74 device using the two fixation screws from the bottom of the device.
5. Align the position slots on device's back with their correct placement on the metal bracket, then fix it by pushing down.



~3~

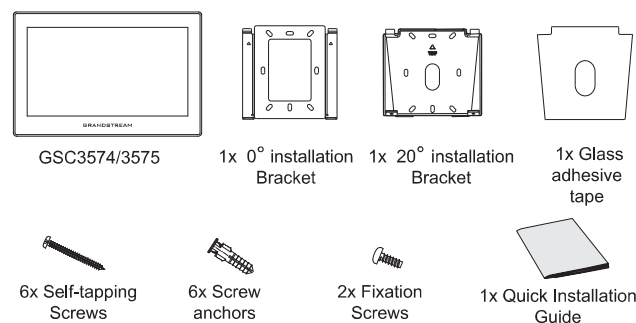
**PRECAUTIONS**

- Do not attempt to open, disassemble, or modify the device.
- Do not expose this device to temperatures outside range of 0 °C to 40 °C in operation and -10 °C to 60 °C in storage.
- Do not expose the GSC3574/3575 to environments outside of the following humidity range: 10-90% RH (non-condensing).
- Do not power cycle your GSC3574/3575 during system boot up or firmware upgrade. You may corrupt firmware images and cause the unit to malfunction.

**OVERVIEW**

The GSC3574/3575 is a powerful intercom and facility control station designed to provide businesses with a dedicated device to manage facility communications, door access, physical security and more. This device can be wall-mounted as a solution for easy door control, intercom and paging communication, security camera management and facility-wide UC integration. The GSC3574/3575 features a 7-inch touch screen LCD and full duplex 2-way HD audio. It offers a flexible network connectivity through 100Mbps network port with PoE or integrated dual-band Wi-Fi 6 support. This SIP intercom and facility control station is designed to seamlessly integrate with Grandstream's entire range of products, including the GDS series of door access devices, GSC series intercom and paging devices, security cameras and more. The GSC3574/3575 is ideal for any deployment scenario where facility access, communications and security need to be centrally monitored and controlled.

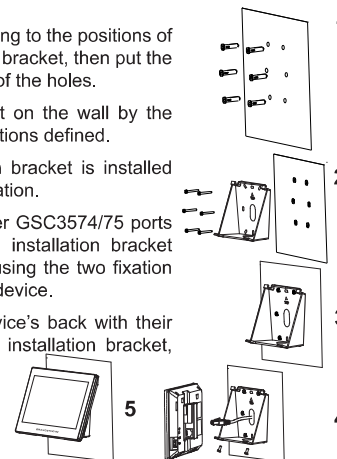
**PACKAGE CONTENTS**



~2~

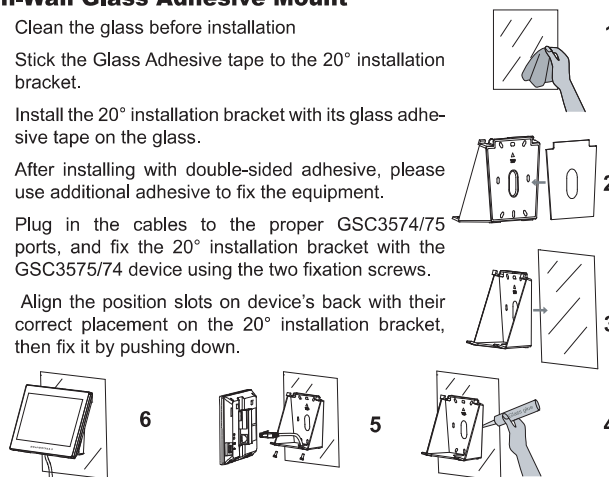
**On-Wall 20° Mount**

1. Drill six holes on the wall referring to the positions of the ones on the 20° installation bracket, then put the screw anchors on the position of the holes.
2. Fix the 20° installation bracket on the wall by the self-tapping screws on the positions defined.
3. Make sure the 20° installation bracket is installed properly as shown in the illustration.
4. Plug in the cables to the proper GSC3574/75 ports on the back, and fix the 20° installation bracket with the GSC3575/74 device using the two fixation screws from the bottom of the device.
5. Align the position slots on device's back with their correct placement on the 20° installation bracket, then fix it by pushing down.



**On-Wall Glass Adhesive Mount**

1. Clean the glass before installation
2. Stick the Glass Adhesive tape to the 20° installation bracket.
3. Install the 20° installation bracket with its glass adhesive tape on the glass.
4. After installing with double-sided adhesive, please use additional adhesive to fix the equipment.
5. Plug in the cables to the proper GSC3574/75 ports, and fix the 20° installation bracket with the GSC3575/74 device using the two fixation screws.
6. Align the position slots on device's back with their correct placement on the 20° installation bracket, then fix it by pushing down.



~4~

## GSC3574/3575 PORTS

Jack	Port	Signal	Function	Remark	
J1	1	INB-	Alarm IN8(Active)	Alarm isolated input, for voltage signal detection, IN+ connect the sensor's positive signal output, IN- Active voltage range 9-15V	
	2	IN8+			
	3	IN7-	Alarm IN7 (Active)		
	4	IN7+			
	5	GND	Power Supply		
	6	+12V			
J2	1	NO1	Alarm OUT1	Relay output, normal open or close, max 125VAC/0.5A or max 30VDC/2A	
	2	COM1			
	3	NC1			
	4	NO2	Alarm OUT2		
	5	COM2			
	6	NC2			
	7	GND	Alarm GND		Voltage reference for IN+, Switch signal reference for AIN (1/2/3/4/5/6)
	8	IN1	Alarm IN1(Passive)		
	9	IN2	Alarm IN2(Passive)		Alarm input, for button/door contacts switch signal detection. Please connect the Switch/button to AIN (1/2/3/4/5/6) and GND
	10	IN3	Alarm IN3(Passive)		
	11	IN4	Alarm IN4(Passive)		
	12	IN5	Alarm IN5(Passive)		
	13	IN6	Alarm IN6(Passive)		
J3	Micro-SD Port	Data Storage	Support microSD/SDHC/SDXC, up to 512G		
J4	Network Port(PoE)	Ethernet & PoE Supply	Single 10/100 Mbps Network port, support POE power supply		
J5	USB Port	Data Exchange	The USB port can be connected to USB disk (up to 2TB) / mouse/ keyboard.		

## GSC3574/3575 CONFIGURATION

### Configure the GSC3574/3575 Using a Web Browser:

1. Ensure your device is powered up and connected to the Internet.
2. Press "Settings" on Home Page.
3. Select "Network Status" to check the IP address.
4. Type the unit's IP address in your PC browser. (See figure below).
5. Enter admin's username and password to access the configuration menu. (The factory default username is "admin" while the default random password can be found on the sticker at the back of the unit).



Refer to online documents and FAQ for more detailed information: <http://www.grandstream.com/our-products>

~5~

ZH

GSC3574/3575不预设对医院，执法机构，医疗中心(急救服务)以及各种紧急服务的紧急通话服务。用户必须自行设定紧急通话功能。用户必须自行购买SIP兼容的网络电话服务，正确的设定GSC3574/3575使用该服务，并定期测试您的配置以确保GSC3574/3575如预期工作，否则请购买传统无线或有线电话服务来拨打紧急电话。

Grandstream Networks 公司的GSC3574/3575不支持紧急通话服务。Grandstream Networks 公司、其管理者和员工以及其相关机构对此所造成的任何索赔、损失或者损害都不负有任何法律追究责任。在此，您将无权对任何以及所有由于无法通过GSC3574/3575拨打紧急电话以及没有遵照前段文字描述而造成紧急通话失败的事件提出诉讼。

GNU GPL许可条款已包含在设备固件中，可以通过设备的Web用户界面 my\_device\_ip/gpl\_license 进行访问。也可以通过以下链接访问：<http://www.grandstream.com/legal/open-source-software> 如果需要包含GPL源代码信息的CD，请发邮件到 [info@grandstream.com](mailto:info@grandstream.com) 提交请求。

~6~

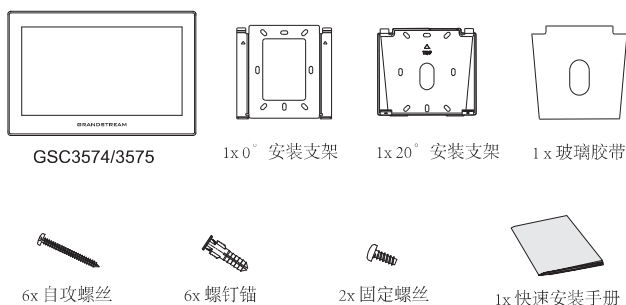
## 注意事项

- 请不要尝试打开，拆卸或修改设备。
- 操作时请勿将本设备暴露在0°C至40°C的温度范围之外的环境中，请勿将其存放在-10°C至60°C的范围之外的环境中。
- 请勿将 GSC3574/3575暴露在以下湿度范围之外的环境中：10-90%RH（非冷凝）。
- 系统启动或固件升级期间，请勿关闭GSC3574/3575的电源。您可能会损坏固件并导致设备故障。

## 产品概览

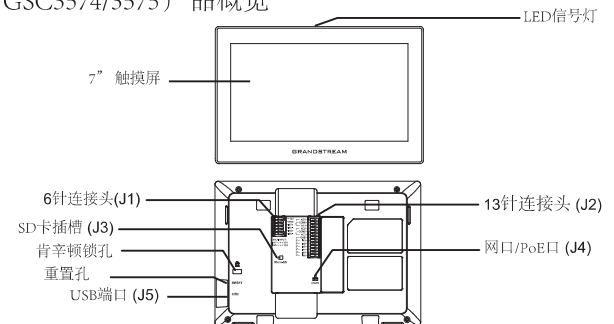
The GSC3574/3575 is a powerful intercom and facility control station designed to provide businesses with a dedicated device to manage facility communications, door access, physical security and more. This device can be wall-mounted as a solution for easy door control, intercom and paging communication, security camera management and facility-wide UC integration. The GSC3574/3575 features a 7-inch touch screen LCD and full duplex 2-way HD audio. It offers a flexible network connectivity through 100Mbps network port with PoE or integrated dual-band Wi-Fi 6 support. This SIP intercom and facility control station is designed to seamlessly integrate with Grandstream's entire range of products, including the GDS series of door access devices, GSC series intercom and paging devices, security cameras and more. The GSC3574/3575 is ideal for any deployment scenario where facility access, communications and security need to be centrally monitored and controlled.

## 包装清单



~7~

## GSC3574/3575 产品概览

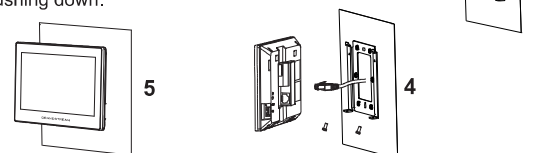


## 安装

The GSC3574/3575 can be mounted on the wall, the glass, or on the desktop using a 20° bracket. Please refer to the following steps for installation:

### 壁挂式 0° 安装

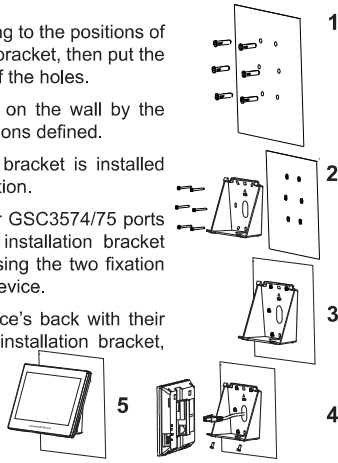
1. Drill six holes on the wall referring to the positions of the ones on the 0° installation bracket, then put the screw anchors on the position of the holes.
2. Fix the 0° installation bracket on the wall by the self-tapping screws on the positions defined.
3. Make sure the 0° installation bracket is installed properly as shown in the illustration.
4. Plug in the cables to the proper GSC3574/3575 ports on the back, and fix the 0° installation bracket with the GSC3575/74 device using the two fixation screws from the bottom of the device.
5. Align the position slots on device's back with their correct placement on the metal bracket, then fix it by pushing down.



~8~

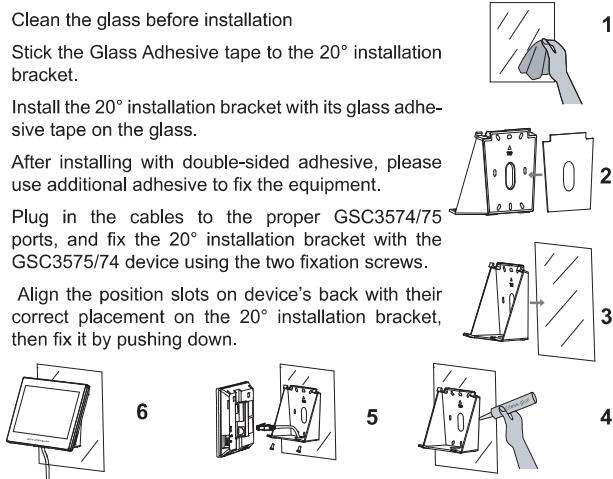
## 壁挂式 20° 安装

1. Drill six holes on the wall referring to the positions of the ones on the 20° installation bracket, then put the screw anchors on the position of the holes.
2. Fix the 20° installation bracket on the wall by the self-tapping screws on the positions defined.
3. Make sure the 20° installation bracket is installed properly as shown in the illustration.
4. Plug in the cables to the proper GSC3574/75 ports on the back, and fix the 20° installation bracket with the GSC3575/74 device using the two fixation screws from the bottom of the device.
5. Align the position slots on device's back with their correct placement on the 20° installation bracket, then fix it by pushing down.



## 壁挂式玻璃黏贴安装

1. Clean the glass before installation
2. Stick the Glass Adhesive tape to the 20° installation bracket.
3. Install the 20° installation bracket with its glass adhesive tape on the glass.
4. After installing with double-sided adhesive, please use additional adhesive to fix the equipment.
5. Plug in the cables to the proper GSC3574/75 ports, and fix the 20° installation bracket with the GSC3575/74 device using the two fixation screws.
6. Align the position slots on device's back with their correct placement on the 20° installation bracket, then fix it by pushing down.



~9~

## GSC3574/35/75 端口

插座	端口		功能	备注
	序	符号		
J1	1	IN8-	报警输入8 (活性)	Alarm isolated input, for voltage signal detection, IN+ connect the sensor's positive signal output, IN- Active voltage range 9-15V
	2	IN8+		
	3	IN7-	报警输入7 (活性)	
	4	IN7+		
	5	GND	电源	
	6	+12V	推荐DC12V, 输入电压范围11-13V 电流最低1.5A @ 12V	
J2	1	NO1	报警输出1	继电器输出, 常开或常闭, 最大125VAC / 0.5A或最大 30VDC / 2A
	2	COM1		
	3	NC1		
	4	NO2	报警输出2	
	5	COM2		
	6	NC2		
	7	GND	报警信号地	IN+的参考电压, AIN (1/2/3/4/5/6) 的开关信号参考
	8	IN1	报警输入1(被动)	警输入, 用1按钮/门触点/开关信号检测。请将开关/按钮连接到AIN (1/2/3/4/5/6) 和IGND
	9	IN2	报警输入2(被动)	
	10	IN3	报警输入3(被动)	
	11	IN4	报警输入4(被动)	
	12	IN5	报警输入5(被动)	
	13	IN6	报警输入6(被动)	
J3	SD卡口	数据存储	支持microSD / SDHC / SDXC, 最大512G	
J4	网口/PoE口	Ethernet & PoE Supply	Single 10/100 Mbps Network port, support PoE power supply	
J5	USB端口	数据交换	The USB port can be connected to USB disk (up to 2TB) / mouse / keyboard.	

## GSC3574/3575 的配置

通过WEB浏览器配置GSC3574/3575:

1. 请确保电话的电源及网络连接;
2. Press "Settings" on Home Page.
3. 选择“网络状态”以检查IP地址。
4. 在电脑浏览器输入话机的IP地址 (电话和电脑必须在同一个网段) 见下图。
5. 输入管理员账号及密码, 进入配置页面。(出厂默认用户名为“admin”, 出厂默认随机密码可以在设备背后的贴纸上找到)。



请下载用户手册和常见问题解答以获得更详细的配置说明:  
<http://www.grandstream.com/our-products>

~10~

ES

El GSC3574/3575 no viene pre configurado ni tiene acceso a información de ningún tipo de servicio de llamadas de emergencia, hospitales, servicios policiales, unidades de cuidados médicos o cualquier otro tipo de servicio de socorro. Usted deberá hacer las coordinaciones necesarias para poder acceder a estos servicios. Será su responsabilidad, el contratar el servicio de telefonía por internet compatible con el protocolo SIP, configurar apropiadamente el GSC3574/3575 para usar dicho servicio y periódicamente probar su configuración para confirmar su funcionamiento de acuerdo a sus expectativas. Si usted decide no hacerlo, será su responsabilidad comprar servicios de telefonía tradicional, ya sea por línea fija o inalámbrica para poder acceder a los servicios de emergencia.

GRANDSTREAM NO PROVEE CONEXIONES CON NINGÚN SERVICIO DE EMERGENCIA MEDIANTE EL GSC3574/3575. NI GRANDSTREAM NI SUS DIRECTORES, EMPLEADOS O AFILIADOS, PUEDEN SER SUJETOS RESPONSABLES POR NINGUN RECLAMO, DAÑO O PERDIDA. POR LO TANTO, USTED RENUNCIA A SU DERECHO DE RECLAMO O DENUNCIA QUE PUEDA SURGIR DEBIDO A LAS LIMITACIONES EN EL USO DEL GSC3574/3575 PARA CONTACTAR A LOS SERVICIOS DE EMERGENCIA, ASI COMO A SU NEGLIGENCIA DE REALIZAR LAS COORDINACIONES NECESARIAS PARA ACCEDER A TODOS LOS SERVICIOS DE EMERGENCIA, MENCIONADOS EN EL PARRAFO PRECEDENTE.

Los términos de licencia GNU GPL son incorporados en el firmware del dispositivo y puede ser accedido a través de la interfaz de usuario Web del dispositivo en [ip\\_de\\_mi\\_dispositivo/gpl\\_license](http://ip_de_mi_dispositivo/gpl_license). También puede ser accedido aquí: <http://www.grandstream.com/legal/open-source-software>. Para obtener un CD con la información del código fuente GPL, por favor, remita una solicitud escrita a [info@grandstream.com](mailto:info@grandstream.com)

~11~

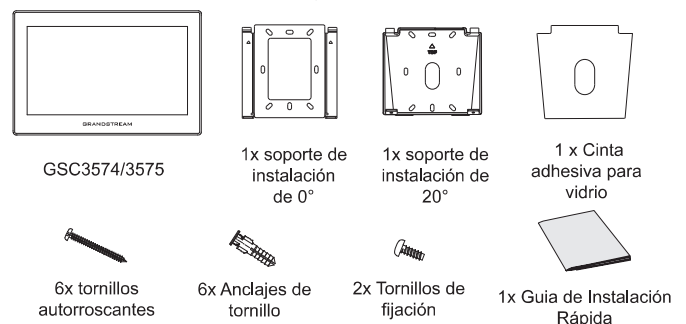
## PRECAUCIONES

- No intente abrir, desarmar o modificar el dispositivo
- No exponga el dispositivo a temperaturas fuera del rango de 0 ° C a 40 ° C en funcionamiento y de -10 ° C a 60 ° C en almacenamiento.
- No exponga el GSC3574/3575 a entornos fuera del siguiente rango de humedad: 10-90% HR (sin condensación).
- No Desenchufe su GSC3574/3575 durante el arranque del sistema o actualización del firmware. Puede dañar las imágenes de firmware y provocar un mal funcionamiento de la unidad.

## INFORMACIÓN GENERAL

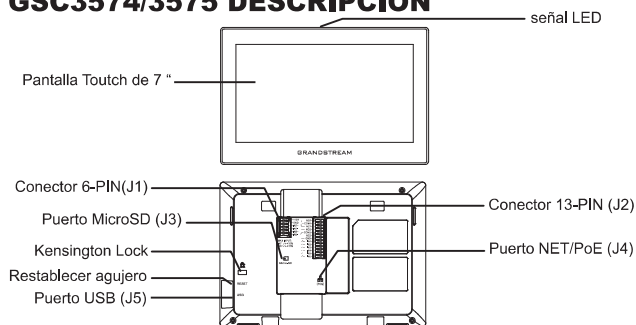
The GSC3574/3575 is a powerful intercom and facility control station designed to provide businesses with a dedicated device to manage facility communications, door access, physical security and more. This device can be wall-mounted as a solution for easy door control, intercom and paging communication, security camera management and facility-wide UC integration. The GSC3574/3575 features a 7-inch touch screen LCD and full duplex 2-way HD audio. It offers a flexible network connectivity through 100Mbps network port with PoE or integrated dual-band Wi-Fi 6 support. This SIP intercom and facility control station is designed to seamlessly integrate with Grandstream's entire range of products, including the GDS series of door access devices, GSC series intercom and paging devices, security cameras and more. The GSC3574/3575 is ideal for any deployment scenario where facility access, communications and security need to be centrally monitored and controlled.

## CONTENIDO DEL PAQUETE



~12~

## GSC3574/3575 DESCRIPCIÓN

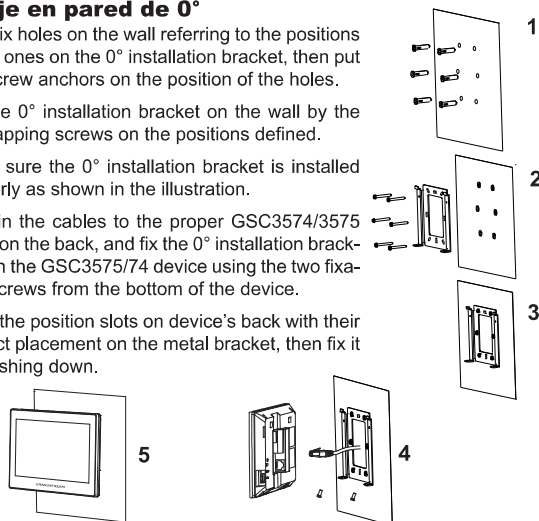


## INSTALACIÓN

The GSC3574/3575 can be mounted on the wall, the glass, or on the desktop using a 20° bracket. Please refer to the following steps for installation:

### Montaje en pared de 0°

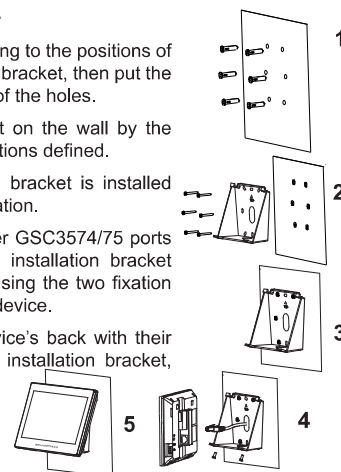
1. Drill six holes on the wall referring to the positions of the ones on the 0° installation bracket, then put the screw anchors on the position of the holes.
2. Fix the 0° installation bracket on the wall by the self-tapping screws on the positions defined.
3. Make sure the 0° installation bracket is installed properly as shown in the illustration.
4. Plug in the cables to the proper GSC3574/3575 ports on the back, and fix the 0° installation bracket with the GSC3575/74 device using the two fixation screws from the bottom of the device.
5. Align the position slots on device's back with their correct placement on the metal bracket, then fix it by pushing down.



~13~

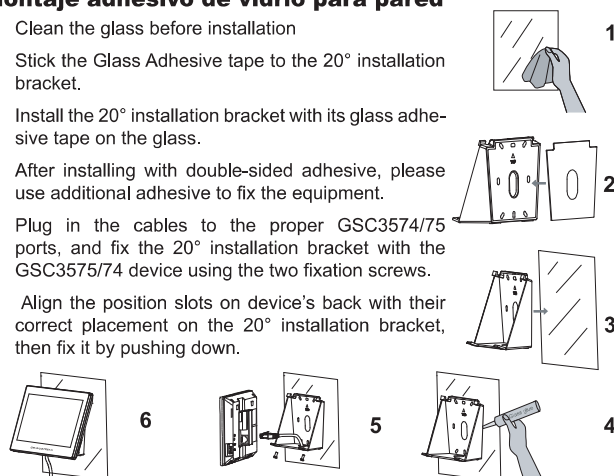
### Montaje en pared de 20°

1. Drill six holes on the wall referring to the positions of the ones on the 20° installation bracket, then put the screw anchors on the position of the holes.
2. Fix the 20° installation bracket on the wall by the self-tapping screws on the positions defined.
3. Make sure the 20° installation bracket is installed properly as shown in the illustration.
4. Plug in the cables to the proper GSC3574/75 ports on the back, and fix the 20° installation bracket with the GSC3575/74 device using the two fixation screws from the bottom of the device.
5. Align the position slots on device's back with their correct placement on the 20° installation bracket, then fix it by pushing down.



### Montaje adhesivo de vidrio para pared

1. Clean the glass before installation
2. Stick the Glass Adhesive tape to the 20° installation bracket.
3. Install the 20° installation bracket with its glass adhesive tape on the glass.
4. After installing with double-sided adhesive, please use additional adhesive to fix the equipment.
5. Plug in the cables to the proper GSC3574/75 ports, and fix the 20° installation bracket with the GSC3575/74 device using the two fixation screws.
6. Align the position slots on device's back with their correct placement on the 20° installation bracket, then fix it by pushing down.



~14~

## GSC3574/3575 PUERTOS

Conector	Puerto		Función	Observación
	Pin	Señal		
J1	1	IN8-	Alarma de entrada8 (Activo)	Alarm isolated input, for voltage signal detection, IN+ connect the sensor's positive signal output, IN- Active voltage range 9-15V
	2	IN8+		
	3	IN7-	Alarma de entrada7 (Activo)	
	4	IN7+		
	5	GND	Alimentación	Se recomienda DC12V, rango de voltaje de entrada 11-13V. Corriente al menos 1.5A @12V
	6	+12V		
J2	1	NO1	Alarma de salida1	Salida relé, normalmente abierto o cerrado, max 125VAC/0.5A o max 30VDC/2A
	2	COM1		
	3	NC1		
	4	NO2	Alarma de salida2	
	5	COM2		
	6	NC2		
	7	GND	Alarm GND	Referencia de voltaje para IN+, referencia de señal de interruptor para AIN(1/2/3/4/5/6)
	8	IN1	Alarma de entrada1(Pasivo)	Entrada de alarma, para el botón/detección de señal de interruptor de contactos del portero. Por favor conecte el interruptor/botón a AIN(1/2/3/4/5/6) y GND
	9	IN2	Alarma de entrada2(Pasivo)	
	10	IN3	Alarma de entrada3(Pasivo)	
	11	IN4	Alarma de entrada4(Pasivo)	
	12	IN5	Alarma de entrada5(Pasivo)	
	13	IN6	Alarma de entrada6(Pasivo)	
J3	Puerto MicroSD		Almacenamiento de datos	Soporta microSD/SDHC/SDXC, hasta 512GB
J4	Puerto NET/PoE		Ethernet & PoE Supply	Single 10/100 Mbps Network port, support POE power supply
J5	Puerto USB		Intercambio de datos	The USB port can be connected to USB disk (up to 2TB) / mouse/keyboard.

## GSC3574/3575 CONFIGURACIÓN

Configurando el GSC3574/3575 utilizando un navegador web:

1. Asegure que su teléfono este conectado a la red y tenga electricidad.
2. Press "Settings" on Home Page.
3. Seleccione "Estado de Red" para chequear la dirección IP.
4. Típe la dirección Ip en el navegador de su PC (ver figura).
5. Ingrese como administrador para ver el menú de configuración. (El usuario es "admin" y la contraseña aleatoria debería estar en la etiqueta en la parte trasera de la unidad).



Por favor, descargue el Manual del usuario y revise la AYUDA para obtener instrucciones más detalladas: <http://www.grandstream.com/our-products>

~15~

## FR

Le GSC3574/3575 n'est pas préconfiguré pour prendre en charge ou faire des appels d'urgence à tout type d'hôpital, organisme d'application de la loi, unité de soins médicaux (service d'urgence) ou tout autre type de service d'urgence. Vous devez prendre des dispositions supplémentaires pour accéder aux services d'urgence. Il est de votre responsabilité d'acheter un service téléphonique Internet compatible SIP, de configurer correctement le GSC3574/3575 pour utiliser ce service et de tester périodiquement votre configuration pour confirmer qu'elle fonctionne comme prévu. Il est également de votre responsabilité d'acheter des services téléphoniques sans fil ou fixes traditionnels pour accéder aux services d'urgence.

GRANDSTREAM NE FOURNIT PAS DE CONNEXIONS AUX SERVICES D'URGENCE VIA LE GSC3574/3575. NI GRANDSTREAM NI SES BUREAUX, EMPLOYÉS OU SOCIÉTÉS AFFILIÉES NE PEUVENT ÊTRE TENUS RESPONSABLES DE TOUTE RÉCLAMATION, DOMMAGE OU PERTE, ET VOUS RENONCEZ À TOUTES LES RÉCLAMATIONS OU CAUSES D'ACTION DÉCOULANT DE VOTRE INCAPACITÉ À UTILISER LE GSC3574/3575 POUR CONTACTER LES SERVICES D'URGENCE, ET VOTRE DÉFAUT DE PRENDRE DES DISPOSITIONS SUPPLÉMENTAIRES POUR ACCÉDER AUX SERVICES D'URGENCE SELON LE PARAGRAPHE PRÉCÉDANT IMMÉDIATEMENT.

Les termes de la licence GNU GPL sont incorporés dans le micrologiciel du périphérique et sont accessibles via l'interface utilisateur Web du périphérique à l'adresse `my_device_ip/gpl_license`. Vous pouvez également y accéder ici: <http://www.grandstream.com/legal/open-source-software> Pour obtenir un CD contenant les informations du code source GPL, veuillez envoyer une demande écrite à [info@grandstream.com](mailto:info@grandstream.com).

~16~

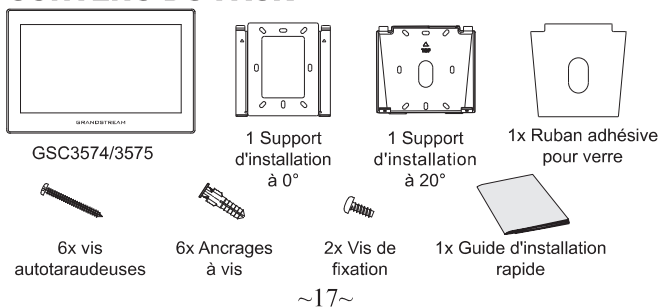
## PRÉCAUTIONS

- N'essayez pas d'ouvrir, de démonter ou de modifier l'appareil.
- Ne pas exposer cet appareil à des températures en dehors de la plage de 0 °C à 40 °C en opération et de -10 °C à 60 °C en stockage.
- N'exposez pas le GSC3574/3575 à des environnements en dehors de la plage d'humidité suivante: 10-90% HR (sans condensation).
- Ne mettez pas votre GSC3574/3575 hors tension pendant le démarrage du système ou la mise à niveau du micrologiciel. Vous risquez d'endommager les images du micrologiciel et de provoquer un dysfonctionnement de l'appareil

## PRÉSENTATION

Le GSC3574/3575 est un puissant poste d'interphonie et de contrôle des installations conçu pour fournir aux entreprises un dispositif dédié à la gestion des communications des installations, de l'accès aux portes, de la sécurité physique et plus encore. Ce dispositif peut être monté sur un mur pour faciliter le contrôle des portes, la communication par interphone et radiomessagerie, la gestion des caméras de sécurité et l'intégration des communications unifiées à l'échelle de l'établissement. Le GSC3574/3575 est doté d'un écran tactile LCD de 7 pouces et d'un système audio HD bidirectionnel en duplex intégral. Il offre une connectivité réseau flexible grâce à un port réseau de 100 Mbps avec PoE ou un support Wi-Fi 6 bi-bande intégré. Ce poste d'interphonie SIP et de contrôle des installations est conçu pour s'intégrer de manière transparente à l'ensemble de la gamme de produits Grandstream, notamment les dispositifs d'accès aux portes de la série GDS, les dispositifs d'interphonie et de radiomessagerie de la série GSC, les caméras de sécurité et d'autres. Le GSC3574/3575 est idéal pour tout scénario de déploiement où l'accès, les communications et la sécurité des installations doivent être surveillés et contrôlés de manière centralisée.

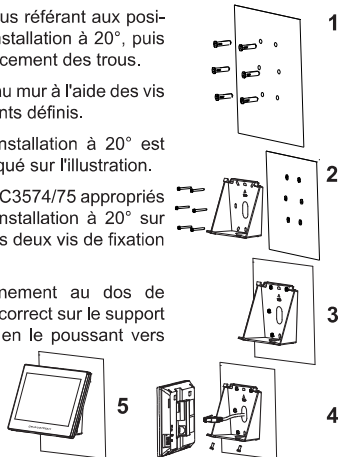
## CONTENU DU PACK



~17~

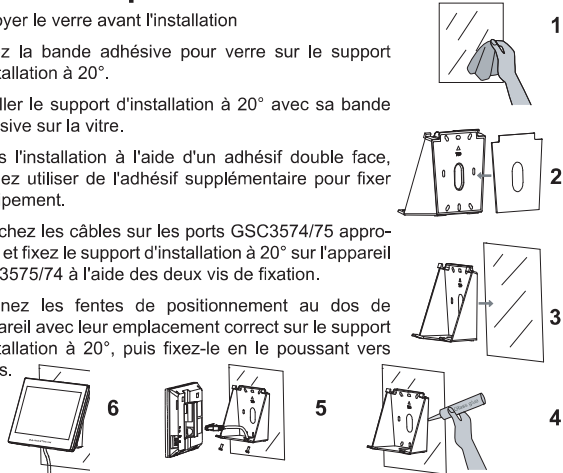
## Montage mural à 20°

1. Percez six trous sur le mur en vous référant aux positions des trous sur le support d'installation à 20°, puis placez les vis d'ancrage à l'emplacement des trous.
2. Fixer le support d'installation 20° au mur à l'aide des vis autotaraudeuses aux emplacements définis.
3. Assurez-vous que le support d'installation à 20° est correctement installé comme indiqué sur l'illustration.
4. Branchez les câbles aux ports GSC3574/75 appropriés à l'arrière, et fixez le support d'installation à 20° sur l'appareil GSC3575/74 à l'aide des deux vis de fixation situées au bas de l'appareil.
5. Aligned les fentes de positionnement au dos de l'appareil avec leur emplacement correct sur le support d'installation à 20°, puis fixez-le en le poussant vers le bas.



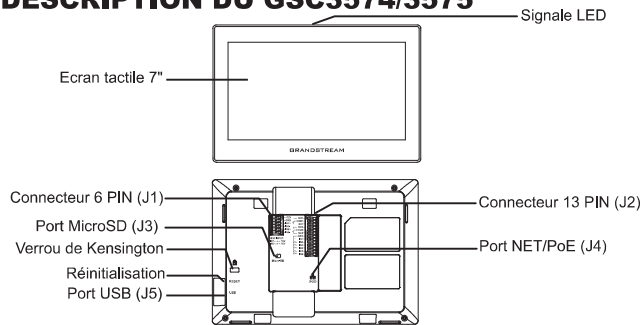
## Support adhésif pour verre sur mur

1. Nettoyer le verre avant l'installation
2. Collez la bande adhésive pour verre sur le support d'installation à 20°.
3. Installer le support d'installation à 20° avec sa bande adhésive sur la vitre.
4. Après l'installation à l'aide d'un adhésif double face, veuillez utiliser de l'adhésif supplémentaire pour fixer l'équipement.
5. Branchez les câbles sur les ports GSC3574/75 appropriés et fixez le support d'installation à 20° sur l'appareil GSC3575/74 à l'aide des deux vis de fixation.
6. Aligned les fentes de positionnement au dos de l'appareil avec leur emplacement correct sur le support d'installation à 20°, puis fixez-le en le poussant vers le bas.



~19~

## DESCRIPTION DU GSC3574/3575

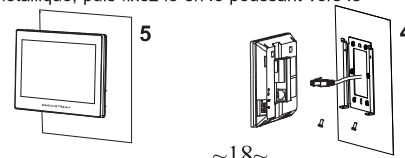
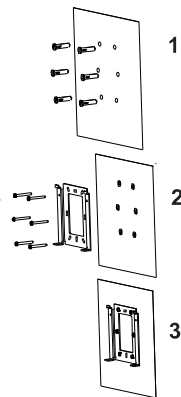


## INSTALLATION

Le GSC3574/3575 peut être monté sur le mur, la vitre ou le bureau à l'aide d'un support à 20°. Veuillez vous référer aux étapes suivantes pour l'installation :

### Montage mural à 0°

1. Percez six trous sur le mur en vous référant aux positions des trous sur le support d'installation à 0°, puis placez les vis d'ancrage à l'emplacement des trous.
2. Fixer le support d'installation 0° sur le mur à l'aide des vis autotaraudeuses sur les positions définies.
3. Assurez-vous que le support d'installation à 0° est correctement installé comme indiqué sur l'illustration.
4. Branchez les câbles sur les ports GSC3574/3575 appropriés à l'arrière, et fixez le support d'installation à 0° sur l'appareil GSC3575/74 à l'aide des deux vis de fixation situées sur la partie inférieure de l'appareil.
5. Aligned les fentes de positionnement au dos de l'appareil avec leur emplacement correct sur le support métallique, puis fixez-le en le poussant vers le bas.



~18~

## PORTS DU GSC3574/3575

Jack	Port		Fonction	Remarque
	Pin	Signal		
J1	1	IN8-	Entrée Alarme8 (Active)	Entrée isolée de l'alarme, pour la détection du signal de tension, IN+ connecte la sortie du signal positif du capteur, IN- Plage de tension active 9-15V
	2	IN8+		
	3	IN7-	Entrée Alarme7 (Active)	
	4	IN7+		
	5	GND	Alimentation	
	6	+12V		
J2	1	NO1	Sortie Alarme1	Sortie relais, ouverture ou fermeture normale, max 125VAC / 0,5A ou max 30VDC / 2A
	2	COM1		
	3	NC1		
	4	NO2	Sortie Alarme2	
	5	COM2		
	6	NC2		
	7	GND	Alarme GND	Référence de tension pour IN+, Référence de signal de commutation pour AIN (1/2/3/4/5/6)
	8	IN1	Entrée Alarme1(Passive)	Entrée d'alarme, pour la détection du signal des contacts bouton/porte. Veuillez connecter le commutateur/bouton à AIN (1/2/3/4/5/6) et GND.
	9	IN2	Entrée Alarme2(Passive)	
	10	IN3	Entrée Alarme3(Passive)	
	11	IN4	Entrée Alarme4(Passive)	
	12	IN5	Entrée Alarme5(Passive)	
	13	IN6	Entrée Alarme6(Passive)	
J3	Port Micro-SD	Stockage de données	Prise en charge de microSD / SDHC / SDXC, jusqu'à 512G	
J4	Port réseau (PoE)	Ethernet & Alimentation PoE	Port réseau unique 10/100 Mbps, compatible avec l'alimentation PoE	
J5	Port USB	Echange de données	Le port USB peut être connecté à un disque USB (jusqu'à 2TB) / une souris / un clavier.	

## CONFIGURATION DU GSC3574/3575

### Configurer le GSC3574/3575 en utilisant le Navigateur web:

1. Vérifiez que l'appareil est sous tension et connecté à Internet.
2. Appuyez sur "Réglages" sur la page d'accueil.
3. Sélectionnez «État du réseau» pour vérifier l'adresse IP.
4. Entrez le nom d'utilisateur et le mot de passe d'administrateur pour accéder au menu de configuration. (Le nom d'utilisateur par défaut est "admin" tant dit que le mot de passe peut être trouvé sur l'étiquette à l'arrière de l'unité).



Veuillez télécharger le manuel d'utilisation et la FAQ pour plus de détails sur les instructions de configuration: <http://www.grandstream.com/our-products>

~20~