

8

7

6

5

4

3

2

1

INTEL
MWG

JACKSON PEAK 2

G2532204

IEEE 802.11N
HALF MINI CARD PCI EXPRESS

PCB STACKUP

LAYER	ATTRIBUTE	MATERIAL	THICKNESS
1	SIGNAL	H ZO --> 10Z	1.9
		2116+1080	7
2	GND	10Z	1.2
		CORE	20
3	MIX	10Z	1.2
		2116+1080	7
4	SIGNAL	H ZO --> 10Z	1.9
TOTAL THICKNESS			40.2
FINAL THICKNESS			41.2

LAST UDPATED: JUL. 19, 2011

CONTENTS:

- PAGE 1) TITLE
- PAGE 2) HALF MINI CARD EDGE CONNECTOR AND EEPROM
- PAGE 3) RP-M BIAS NETWORK
- PAGE 4) RP-M BB & PCIE
- PAGE 5) RP2-R BIAS NETWORK
- PAGE 6) RP2-R RF/BB, DIGITAL AND CLK
- PAGE 7) RP2-R BT SECTION
- PAGE 8) FRONT END - CHAIN A
- PAGE 9) FRONT END - CHAIN B

Tue Jul 19 09:15:22 2011

G2532204

ENG. NAME TAL SHOSHANA	TITLE JACKSON PEAK 2
INTEL CONFIDENTIAL	PAGE 1 OF 10
	REV 01

8

7

6

5

4

3

2

1

8

7

6

5

4

3

2

1

Legal Notice

THE INFORMATION IN THIS MANUAL IS FURNISHED FOR INFORMATIONAL USE ONLY, IS SUBJECT TO CHANGE WITHOUT NOTICE, AND SHOULD NOT BE CONSTRUED AS A COMMITMENT BY INTEL CORPORATION. INTEL CORPORATION ASSUMES NO RESPONSIBILITY OR LIABILITY FOR ANY ERRORS OR INACCURACIES THAT MAY APPEAR IN THIS DOCUMENT OR ANY SOFTWARE THAT MAY BE PROVIDED IN ASSOCIATION WITH THIS DOCUMENT.

INFORMATION IN THIS DOCUMENT IS PROVIDED IN CONNECTION WITH INTEL PRODUCTS. NO LICENSE, EXPRESS OR IMPLIED, BY ESTOPPEL OR OTHERWISE, TO ANY INTELLECTUAL PROPERTY RIGHTS IS GRANTED BY THIS DOCUMENT. EXCEPT AS PROVIDED IN INTEL'S TERMS AND CONDITIONS OF SALE FOR SUCH PRODUCTS, INTEL ASSUMES NO LIABILITY WHATSOEVER AND INTEL DISCLAIMS ANY EXPRESS OR IMPLIED WARRANTY, RELATING TO SALE AND/OR USE OF INTEL PRODUCTS INCLUDING LIABILITY OR WARRANTIES RELATING TO FITNESS FOR A PARTICULAR PURPOSE, MERCHANTABILITY, OR INFRINGEMENT OF ANY PATENT, COPYRIGHT OR OTHER INTELLECTUAL PROPERTY RIGHT. UNLESS OTHERWISE AGREED IN WRITING BY INTEL, THE INTEL PRODUCTS ARE NOT DESIGNED NOR INTENDED FOR ANY APPLICATION IN WHICH THE FAILURE OF THE INTEL PRODUCT COULD CREATE A SITUATION WHERE PERSONAL INJURY OR DEATH MAY OCCUR.

INTEL MAY MAKE CHANGES TO SPECIFICATIONS AND PRODUCT DESCRIPTIONS AT ANY TIME, WITHOUT NOTICE. DESIGNERS MUST NOT RELY ON THE ABSENCE OR CHARACTERISTICS OF ANY FEATURES OR INSTRUCTIONS MARKED "RESERVED" OR "UNDEFINED." INTEL RESERVES THESE FOR FUTURE DEFINITION AND SHALL HAVE NO RESPONSIBILITY WHATSOEVER FOR CONFLICTS OR INCOMPATIBILITIES ARISING FROM FUTURE CHANGES TO THEM. THE INFORMATION HERE IS SUBJECT TO CHANGE WITHOUT NOTICE. DO NOT FINALIZE A DESIGN WITH THIS INFORMATION.

THE PRODUCTS DESCRIBED IN THIS DOCUMENT MAY CONTAIN DESIGN DEFECTS OR ERRORS KNOWN AS ERRATA WHICH MAY CAUSE THE PRODUCT TO DEVIATE FROM PUBLISHED SPECIFICATIONS. CURRENT CHARACTERIZED ERRATA ARE AVAILABLE ON REQUEST.

THIS DOCUMENT CONTAINS INFORMATION ON PRODUCTS IN THE DESIGN PHASE OF DEVELOPMENT.

EXCEPT AS PERMITTED BY SUCH LICENSE, NO PART OF THIS DOCUMENT MAY BE REPRODUCED, STORED IN A RETRIEVAL SYSTEM, OR TRANSMITTED IN ANY FORM OR BY ANY MEANS WITHOUT THE EXPRESS WRITTEN CONSENT OF INTEL CORPORATION.

RAINBOW PEAK, PUMA PEAK, ARE TRADEMARKS OF INTEL CORPORATION IN THE U.S. AND OTHER COUNTRIES.

* OTHER NAMES AND BRANDS MAY BE CLAIMED AS THE PROPERTY OF OTHERS.

BLUETOOTH IS A TRADEMARK OWNED BY ITS PROPRIETOR AND USED BY INTEL CORPORATION UNDER LICENSE.

COPYRIGHT © 2009, INTEL CORPORATION. ALL RIGHTS RESERVED.

Fri Jul 15 16:25:43 2011

G2532204

ENG. NAME TAL SHOSHANA	TITLE	PAGE 2 OF 10	REV 01
INTEL CONFIDENTIAL			

8

7

6

5

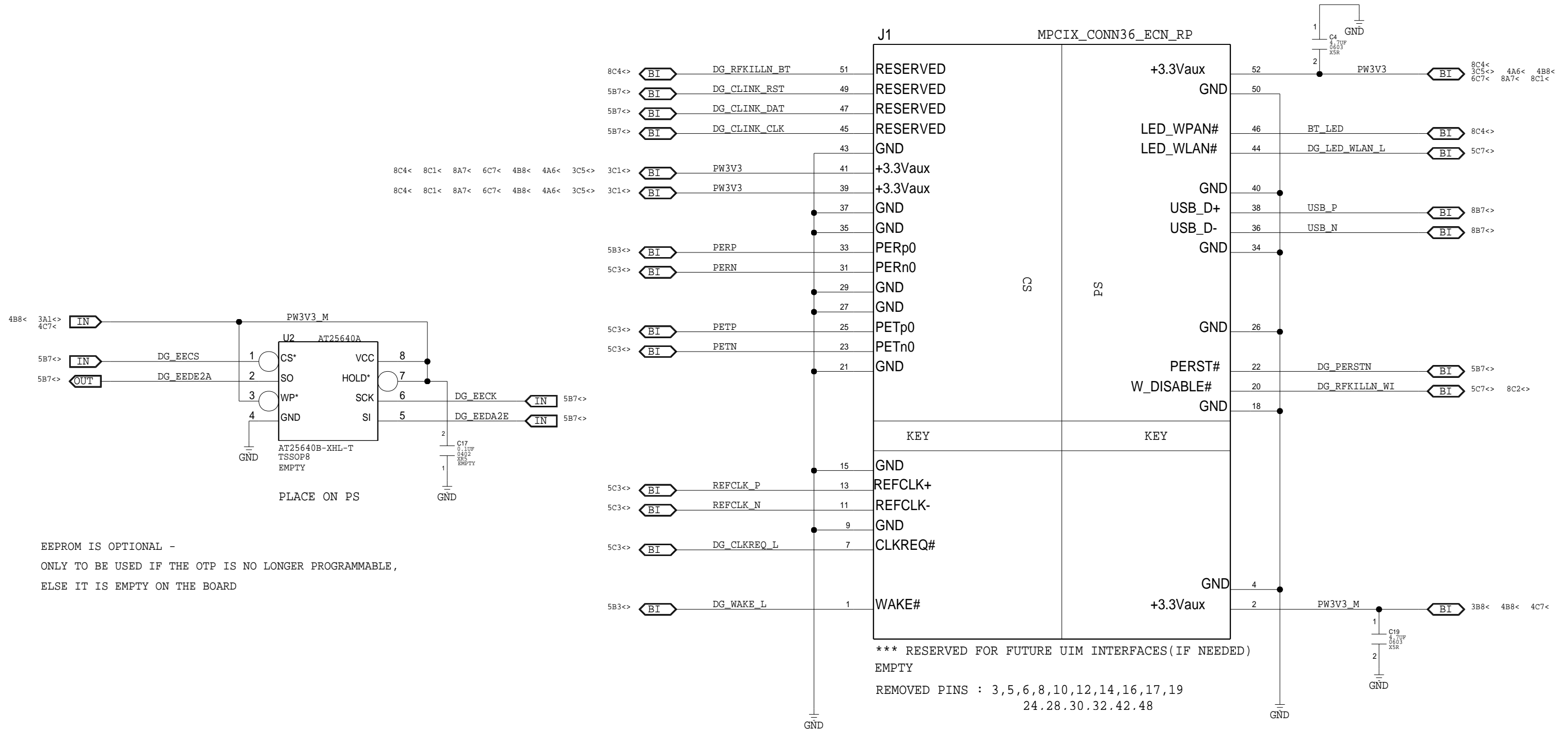
4

3

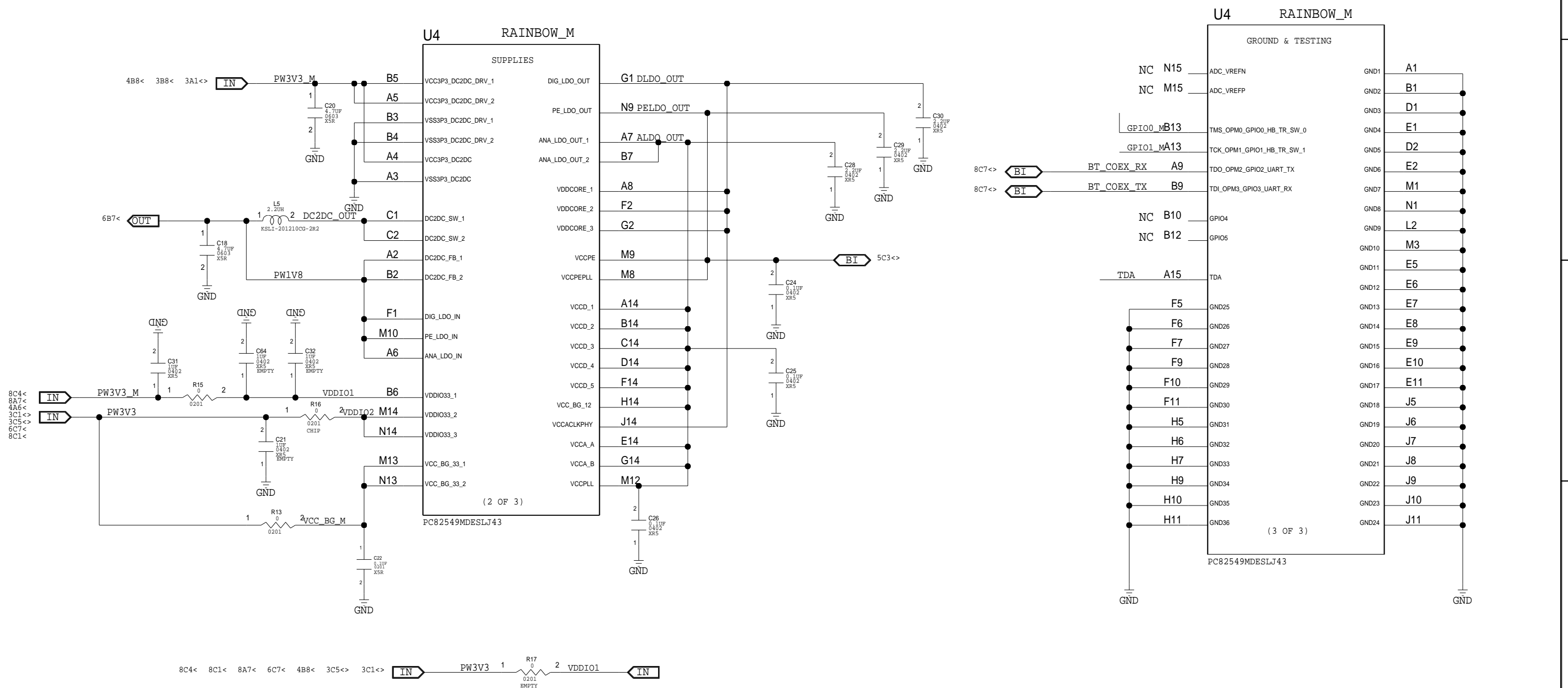
2

1

HMC EDGE CONNECTOR AND EEPROM



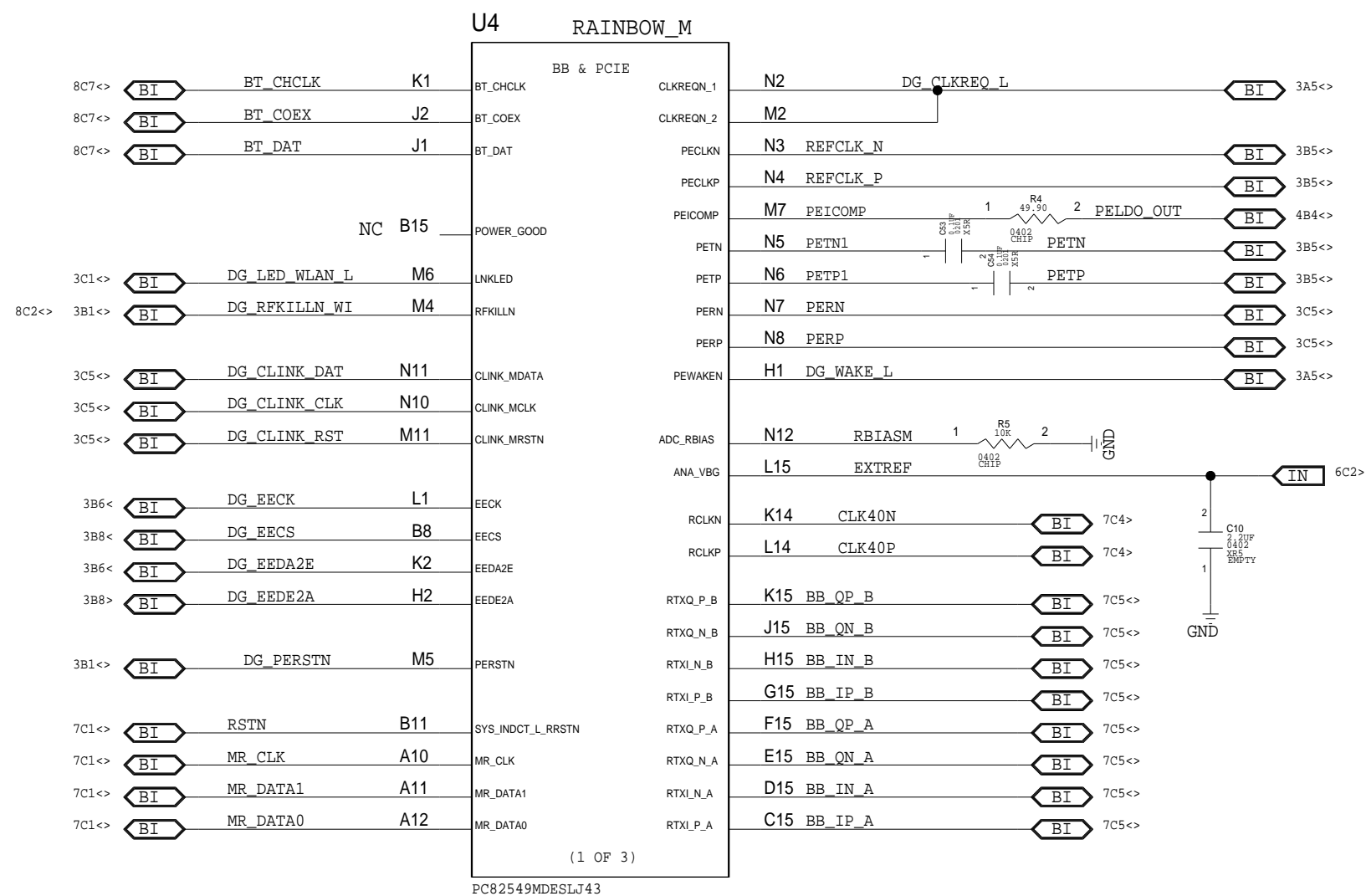
RP-M BIAS NETWORK



Tue Jul 19 09:15:55 2011 G2532204

ENG. NAME TAL SHOSHANA	TITLE		
INTEL CONFIDENTIAL	PAGE 4 OF 10	REV 01	

RP-M BB & PCIE

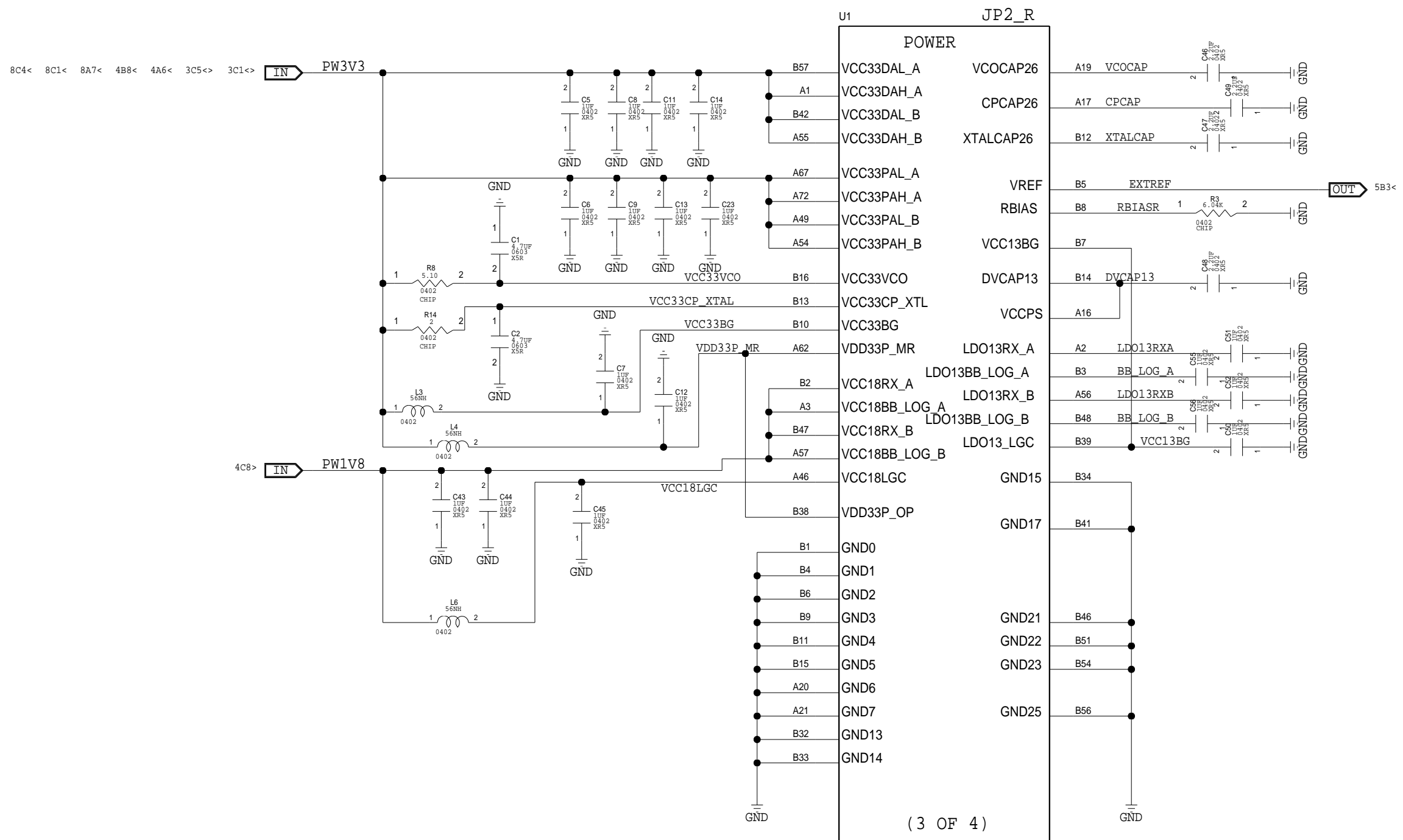


Tue Jul 19 09:16:00 2011

G2532204

ENG. NAME TAL SHOSHANA	TITLE
INTEL CONFIDENTIAL	PAGE 5 OF 10
	REV 01

RP2-R BIAS NETWORK



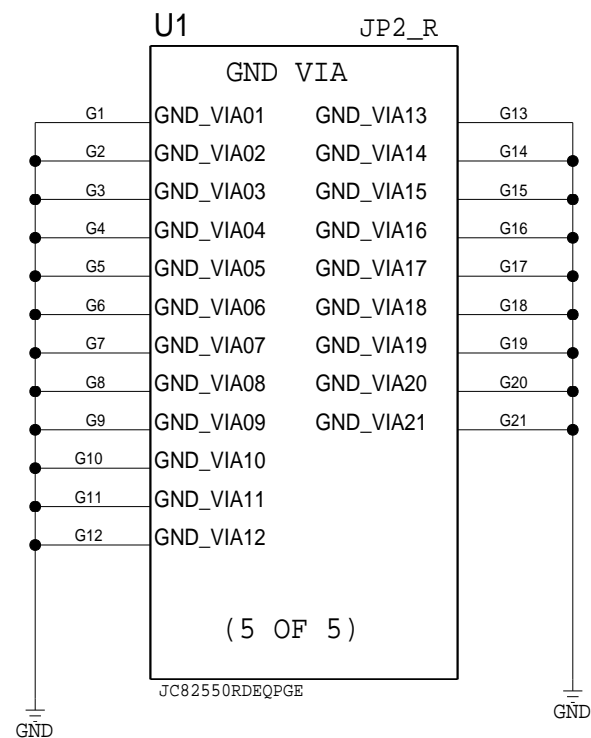
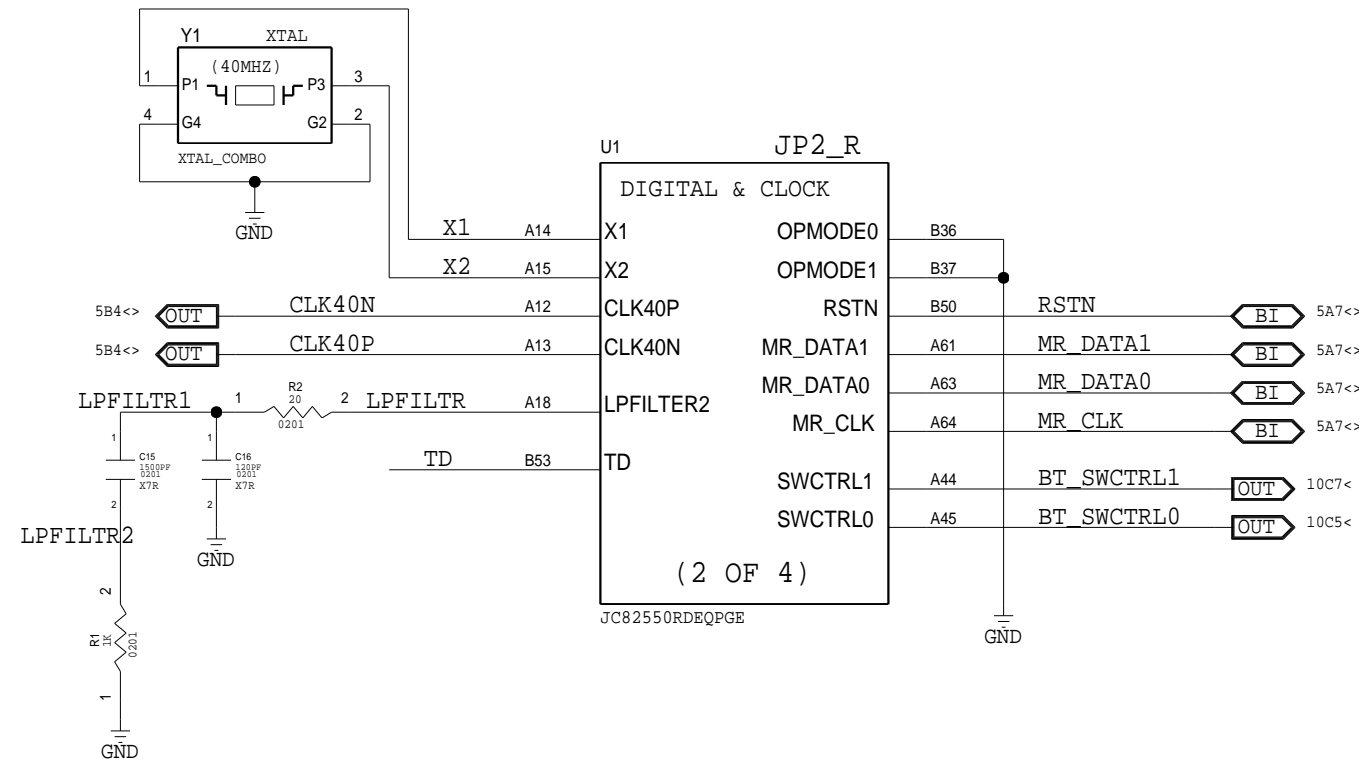
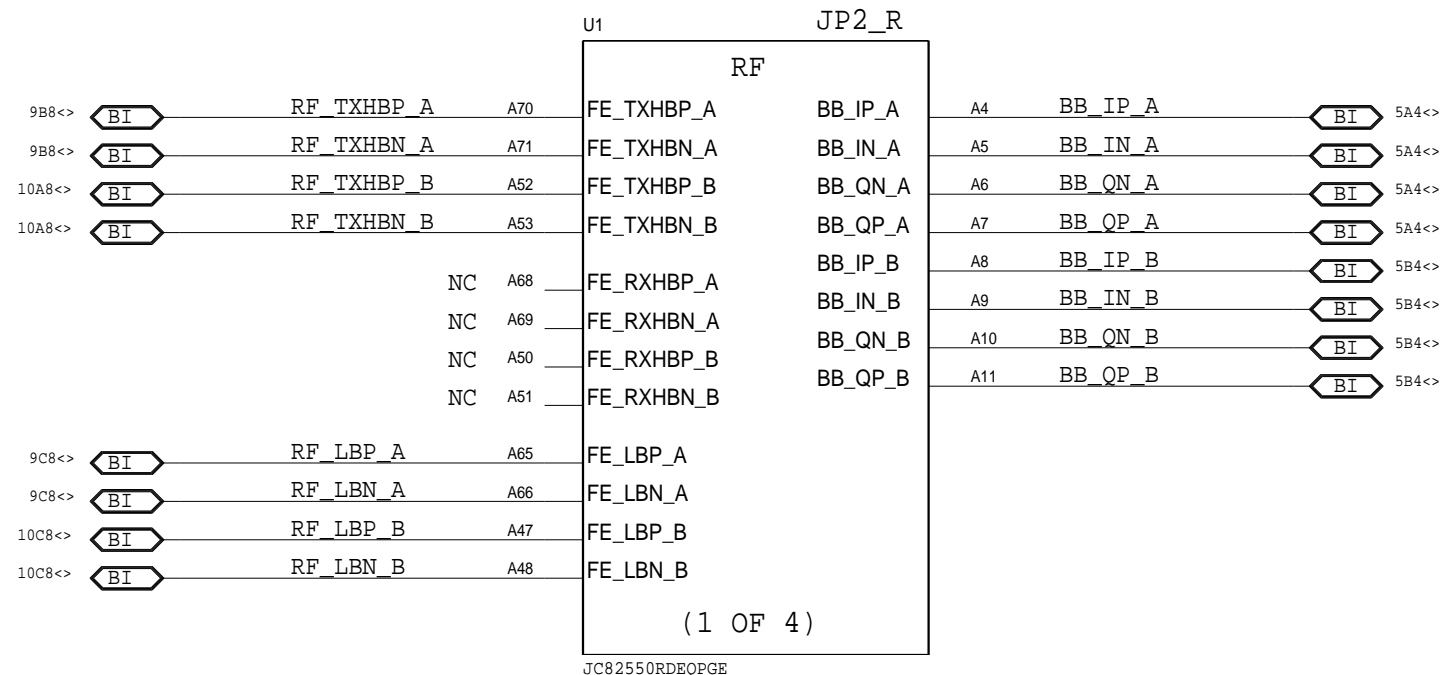
JC82550RDEQPGE

(3 OF 4)

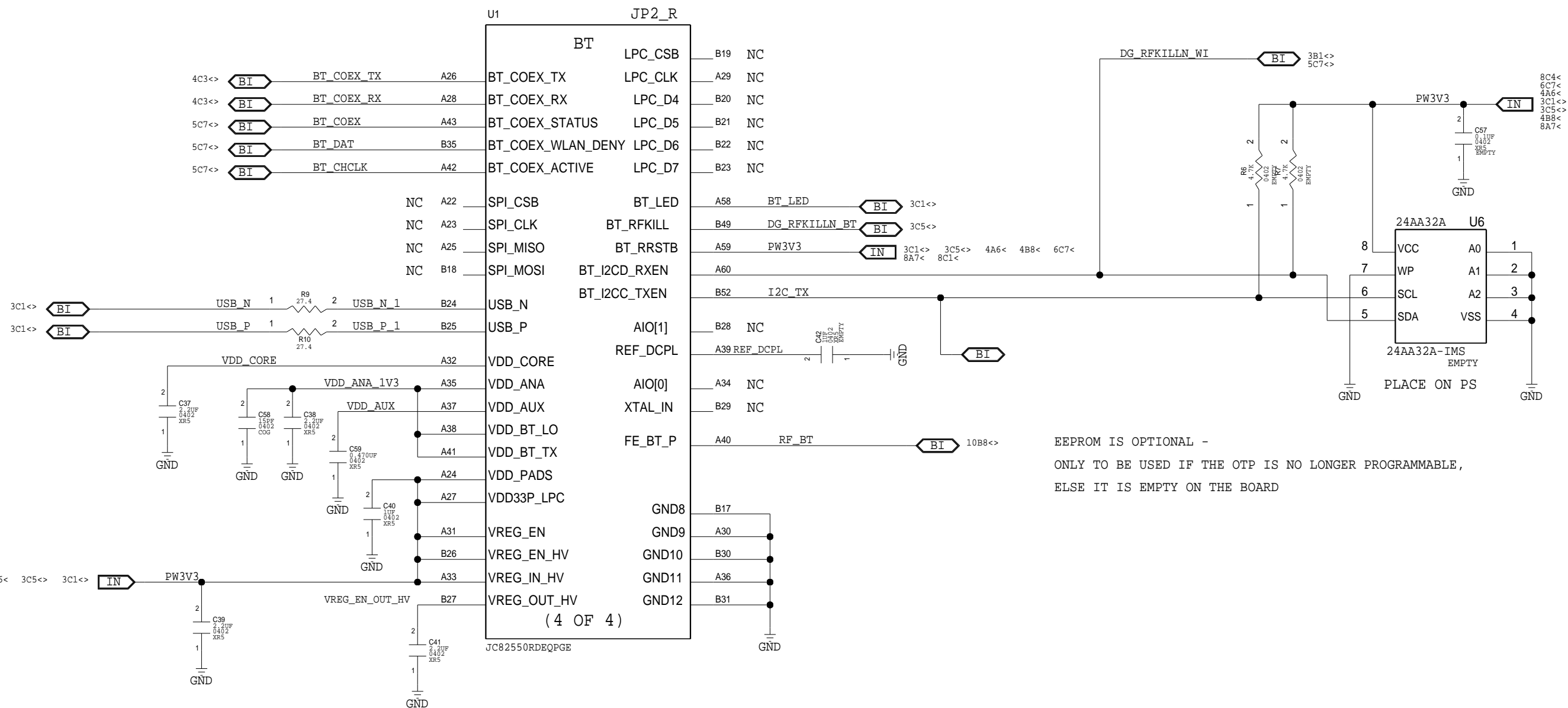
Tue Jul 19 09:15:58 2011 G2532204

ENG. NAME TAL SHOSHANA	TITLE	PAGE 6 OF 10	REV 01
---------------------------	-------	-----------------	-----------

RP2-R RF/BB, DIGITAL AND CLK

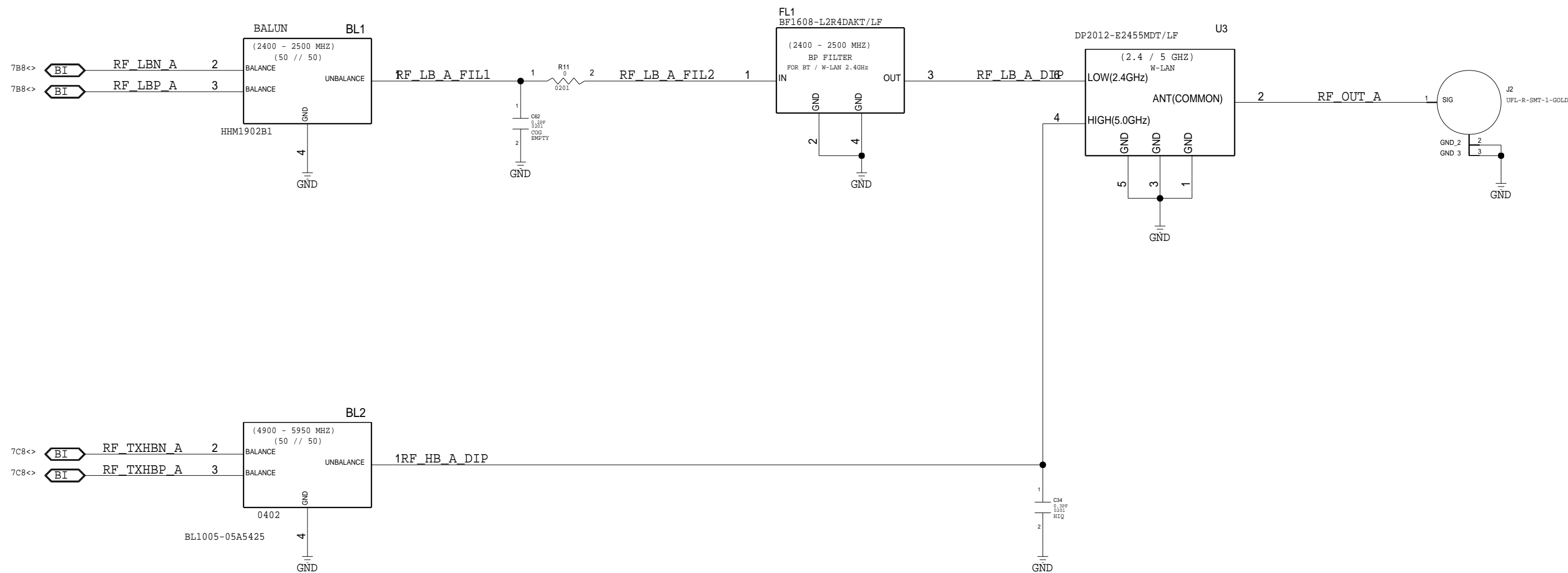


RP2-R BT SECTION



EEPROM IS OPTIONAL -
ONLY TO BE USED IF THE OTP IS NO LONGER PROGRAMMABLE,
ELSE IT IS EMPTY ON THE BOARD

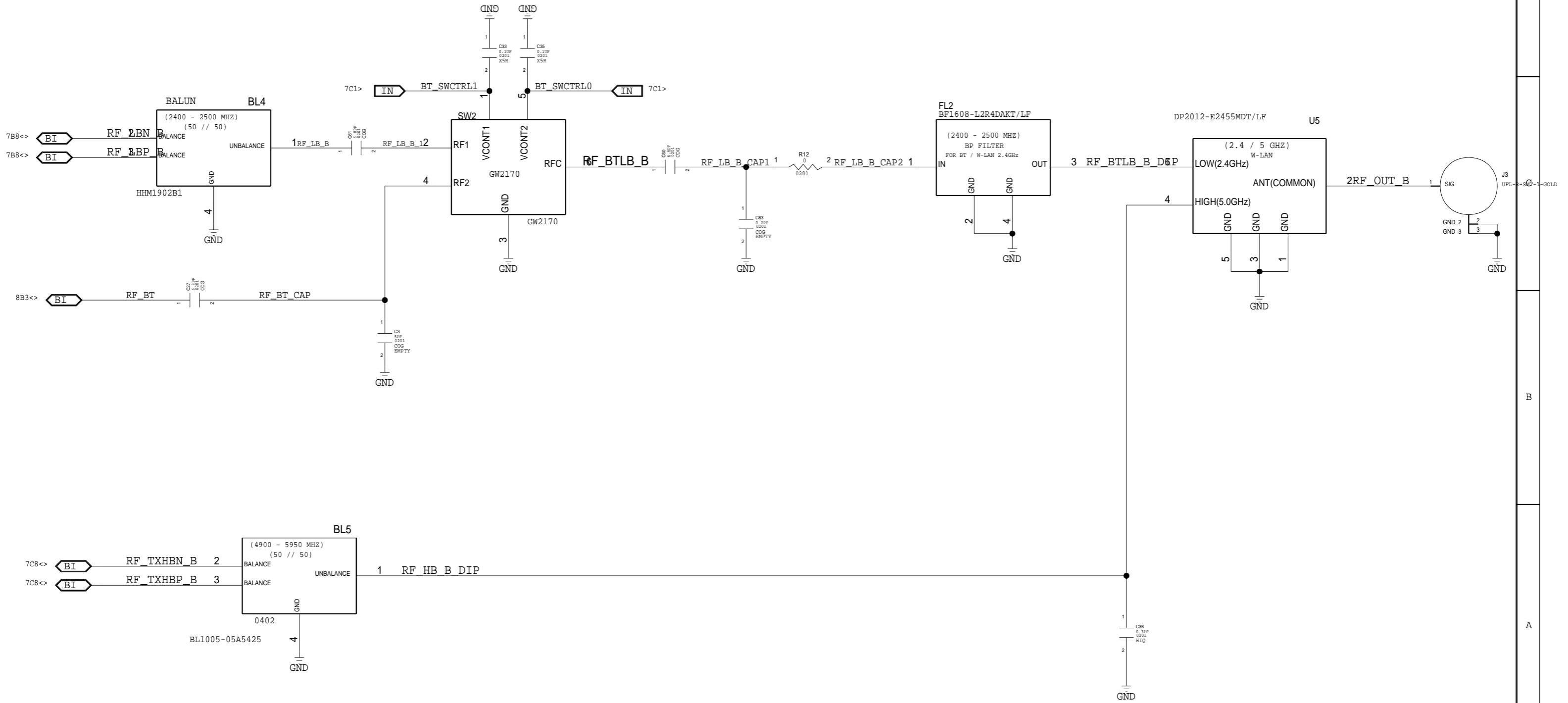
FRONT END - CHAIN A



Tue Jul 19 09:15:56 2011 G2532204

ENG. NAME TAL SHOSHANA	TITLE		
INTEL CONFIDENTIAL	PAGE 9 OF 10	REV 01	

FRONT END - CHAIN B



Tue Jul 19 09:15:56 2011		G2532204	
ENG. NAME	TITLE		
TAL SHOSHANA			
INTEL CONFIDENTIAL	PAGE	REV	
	10 OF 10	01	