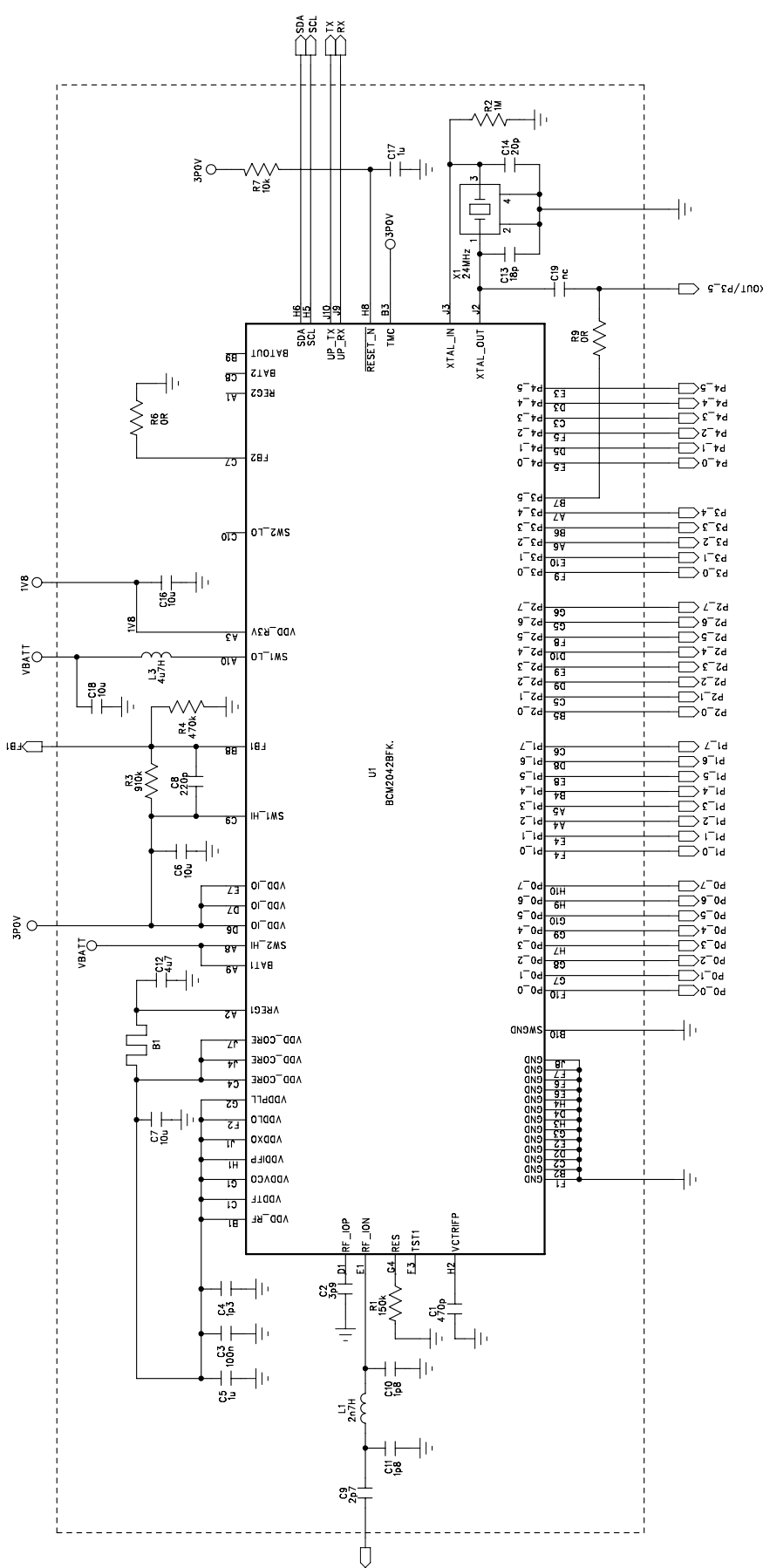


**LEASUN COMMUNICATION LTD.**  
 MODEL: KEY BOARD VER: 0  
 TITLE: BCM2042K\_NOTEBOOK FILE: BCM2042KM.SCH  
 DATE: Mgy.13.2009 SHEET: 1 OF 1  
 DRAWN BY: CHECKED BY: APPROVED BY:



LEASUN ELECTRONIC TECHNOLOGY LTD.  
 MODEL : LS2042M VER : 0  
 TITLE : BCM2042 MODULE FILE: BCM2042M\_R1.SCH  
 DATE : APR.28.2007 SHEET : 1 OF 1  
 DRAWN BY : CHECKED BY : APPROVED BY :