

FEIXUN 300Mbps Wireless N Router

Model: FWR-714N IP: 192.168.0.1
 HW Ver.: A1.0 Username: admin
 Input: 12V = 0.5A Password: admin
 MAC:
 PIN:

S/N:
 MADE IN CHINA

CE, RoHS, FC, WEEE

FCC ID: YJYWR2030A

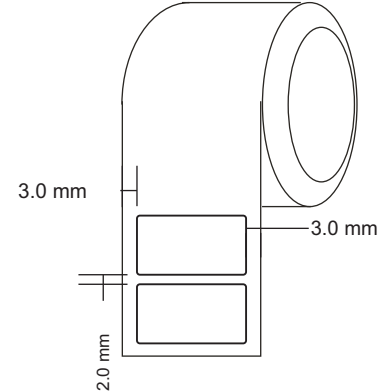
FEIXUN 300Mbps Wireless N Router

Model: FWR-714N IP: 192.168.0.1
 HW Ver.: A1.0 Username: admin
 Input: 12V = 0.5A Password: admin
 MAC: XXXXXXXXXXXXX
 PIN: XXXXXXXXX

S/N: XXXXXXXXXXXXXXXXX
 MADE IN CHINA

CE, RoHS, FC, WEEE

FCC ID: YJYWR2030A



SCALE:2:1

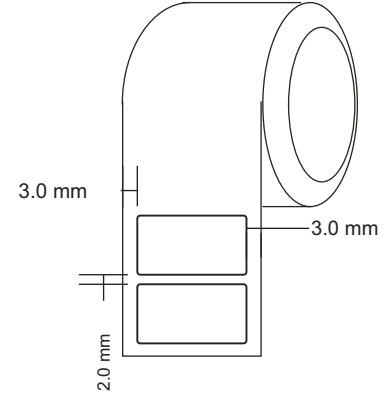
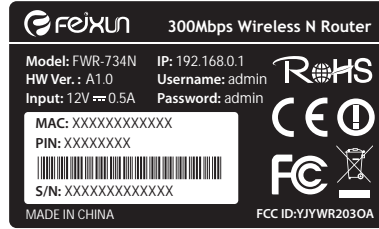
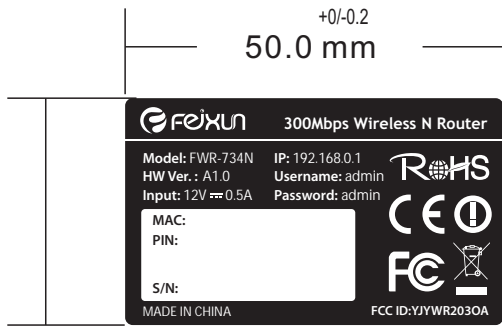
FEIXUN 300Mbps Wireless N Router

Model: FWR-714N IP: 192.168.0.1
 HW Ver.: A1.0 Username: admin
 Input: 12V = 0.5A Password: admin
 MAC: XXXXXXXXXXXXX
 PIN: XXXXXXXXX

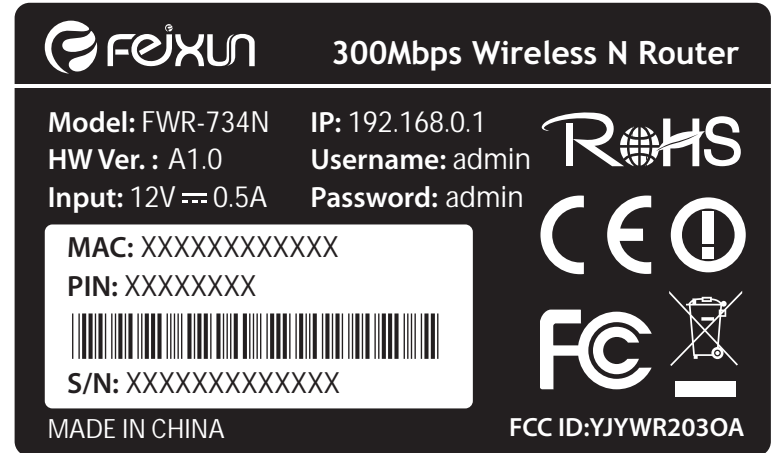
S/N: XXXXXXXXXXXXXXXXX
 MADE IN CHINA

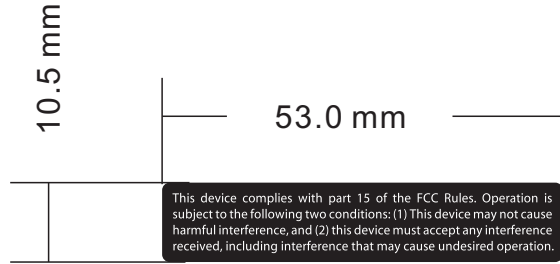
CE, RoHS, FC, WEEE

FCC ID: YJYWR2030A



SCALE:2:1





This device complies with part 15 of the FCC Rules. Operation is subject to the following two conditions: (1) This device may not cause harmful interference, and (2) this device must accept any interference received, including interference that may cause undesired operation.

SCALE:2:1

FWR-714N Label Location

FEIXUN 300Mbps Wireless N Router

Model: FWR-714N	IP: 192.168.0.1
HW Ver.: A1.0	Username: admin
Input: 12V ~ 0.5A	Password: admin
MAC:	
PIN:	
S/N:	

CE RoHS MADE IN CHINA

This device complies with part 15 of the FCC Rules. Operation is subject to the following two conditions: (1) This device may not cause harmful interference, and (2) this device must accept any interference received, including interference that may cause undesired operation.

FWR-734N Label Location

REHLN 150Mbps Wireless N Router

Model: FWR-734N
Firmware: 1.0.1.0
Input: 12V ~ 0.5A

IP: 192.168.0.1
Username: admin
Password: admin



MAC:
FW:
S/N:

CE
REHS
MADE IN CHINA

This device complies with part 15 of the FCC Rules. Operation is subject to the following two conditions: (1) This device may not cause harmful interference, and (2) this device must accept any interference received, including interference that may cause undesired operation.