

TEST REPORT
No.: 17-1-0065901T60a

According to:

FCC Regulations

Part 15.205
Part 15.209
Part 15.407

ISED-Regulations

RSS-Gen, Issue 4
RSS-247, Issue 2

for

Robert Bosch Car Multimedia GmbH

AIVIP32R0

FCC-ID: YBN-AIVIP32R0
IC: 9595A-AIVIP32R0
PMN: AIVIP32R0
HVIN: AIVIP32R0
FVIN: X128







Laboratory Accreditation and Listings			
 DAkks Deutsche Akkreditierungsstelle D-PL-12047-01-01	 FCC FEDERAL COMMUNICATIONS COMMISSION USA MRA US-EU 0003	 Industry Canada Reg. No.: 3462D-2 Reg. No.: 3462D-3	 Voluntary Controls for Electromagnetic Emissions Reg. No.: R-2666 C-2914, T-1967, G-301
 WiFi ALLIANCE AUTHORIZED RF LABORATORY	 ctia Authorized Test Lab Lab Code: 20011130-00		
accredited according to DIN EN ISO/IEC 17025			
CETECOM GmbH Laboratory Radio Communications & Electromagnetic Compatibility Im Teelbruch 116 • 45219 Essen • Germany Registered in Essen, Germany, Reg. No.: HRB Essen 8984 Tel.: + 49 (0) 20 54 / 95 19-954 • Fax: + 49 (0) 20 54 / 95 19-964 E-mail: info@cetecom.com • Internet: www.cetecom.com			

Table of Contents

1. SUMMARY OF TEST RESULTS.....	3
1.1. Tests measurement overview according to US CFR Title 47, Subpart 15C.....	3
1.2. Attestation:.....	6
2. ADMINISTRATIVE DATA	7
2.1. Identification of the testing laboratory.....	7
2.2. Test location	7
2.3. Organizational items	7
2.4. Applicant’s details	7
2.5. Manufacturer’s details	7
3. EQUIPMENT UNDER TEST (EUT).....	8
3.1. Certification Data of Main EUT declared by Applicant	8
3.2. WLAN 5 GHz 802.11a/n Technical Data Of Main EUT as Declared by Applicant	9
3.3. EUT: Type, S/N etc. and short descriptions used in this test report	10
3.4. Auxiliary Equipment (AE): Type, S/N etc. and short descriptions.....	10
3.5. EUT set-ups	10
3.6. EUT operating modes	11
4. DESCRIPTION OF TEST SYSTEM SET-UP’S	12
4.1. Test system set-up for conducted measurements on antenna port	12
4.2. Test system set-up for radiated magnetic field measurements below 30 MHz.....	14
4.3. Test system set-up for radiated electric field measurement 30 MHz to 1 GHz	15
4.4. Test system set-up for radiated electric field measurement above 1 GHz	16
5. MEASUREMENTS	17
5.1. Duty-Cycle.....	17
5.2. RF-Parameter - Transmitter Peak output power (conducted and radiated).....	19
5.3. RF Parameter - 26 dB and 99% occupied Bandwidth.....	26
5.4. RF Parameter – Peak Power Spectral Density (PPSD).....	28
5.5. General Limit - Radiated field strength emissions below 30 MHz.....	32
5.6. General Limit - Radiated field strength emissions, 30 MHz - 1 GHz.....	35
5.7. General Limit - Radiated emissions, above 1 GHz.....	38
5.8. RF-Parameter - Radiated Band-Edge compliance measurements.....	45
5.9. Measurement uncertainties	52
6. ABBREVIATIONS USED IN THIS REPORT	53
7. ACCREDITATION DETAILS OF CETECOM’S LABORATORIES AND TEST SITES	53
8. INSTRUMENTS AND ANCILLARY.....	54
TC”	54
9. VERSIONS OF TEST REPORTS (CHANGE HISTORY)	57

Table of Annex			
Annex No.	Contents	Reference Description	Total Pages
Annex 1	Test results	CETECOM-TR17-1-0065901T60a-A1	408
Annex 2	External photographs of EUT	CETECOM- TR17-1-0065901T58a	9
Annex 3	Internal photographs of EUT	AIVI_Scope2_Internal_Pictures	8
Annex 4	Test set-up photographs	CETECOM- TR17-1-0065901T58a -A4	9
The listed attachments are an integral part of this report.			

1. Summary of test results

The test results apply exclusively to the test samples as presented in this Report. The CETECOM GmbH does not assume responsibility for any conclusions and generalizations taken in conjunction with other specimens or samples of the type of the item presented to tests.

The test results apply exclusively to the test samples as presented in this report. The CETECOM GmbH does not assume responsibility for any conclusions and generalizations taken in conjunction with other specimens or samples of the type of the item presented to tests. Also we refer on special conditions which the applicant should fulfill according §2.927 to §2.948, special focus regarding modification of the equipment and availability of sample equipment for market surveillance tests.

The presented Equipment Under Test (in this report, hereinafter referred as EUT) : integrates total 1 module & supports following technologies :

EUT supported Technologies which are not tested within this test report

EUT supported Technology	Test Report Reference
Bluetooth FHSS (BR-EDR) Modes: 2402 – 2480 MHz	CETECOM_TR17-1-0065901T58a
WLAN 802.11b/g/n(HT20) Modes: 2412 – 2462 MHz	CETECOM_TR17-1-0065901T59a

EUT supported Technologies which are tested within this test report

- **WLAN 802.11a/n(HT20)/n(HT40)/ac(HT20)/ac(HT40)/ac(HT80)Modes: 5150–5850 MHz**

Following test cases have been performed to show compliance with valid Part 15.205/15.209/15.407 of the FCC CFR Title 47 Rules, Edition 4th November 2016.

1.1. Tests measurement overview according to US CFR Title 47, Subpart 15C

Test cases	Port	References and Limits			EUT set-up	EUT op. mode	Result
		FCC Standard	RSS Standard	Test limit			
TX-Mode							
99% occupied bandwidth	Antenna terminal (conducted)	2.1049(h)	RSS-Gen, Issue 4 Chapter 6.6	99% Power bandwidth	2	1	Pass
26 dB bandwidth	Antenna terminal (conducted)	§15.303 + §15.407(a) (2) (5)	RSS-Gen, Issue 4 Chapter 6.6	26 dB spectral density bandwidth	2	1	Pass
Duty-Cycle	Antenna terminal (conducted)	KDB789033 + ANSI C63.10:2013	KDB789033 + ANSI C63.10:2013	No Limit Criteria	2	1	Performed

Maximum output power	Antenna terminal (conducted)	§15.407(a)	RSS-247, Issue 2 Chapter	Power Limits (if Antenna Gain < 6 dBi)	2	1	Pass
		(1)(iv) 5.15-5.25 GHz Client devices	6.2.1.1	250 mW			
		(2) 5.25-5.35 GHz & 5.47-5.725 GHz	6.2.2.1	lesser of 250mW or 11dBm+10logB			
		(3) 5.725-5.85 GHz	6.2.3.1 6.2.4.1	1 W			
Peak Power Spectral density	Antenna terminal (conducted)	§15.407(a)	RSS-247, Issue 2 Chapter	Power Spectral Density Limits (if Antenna Gain < 6 dBi)	2	1	Pass
		(1)(iv) 5.15-5.25 GHz Client devices	6.2.1.1	11dBm/MHz			
		(2) 5.25-5.35 GHz & 5.47-5.725 GHz	6.2.2.1	11dBm/MHz			
		(3) 5.725-5.85 GHz	6.2.3.1 6.2.4.1	30dBm/500kHz			
Maximum e.i.r.p. power	Antenna terminal (conducted) + Antenna Gain	§15.407(a)	RSS-247, Issue 2 Chapter	e.i.r.p. Limits (if Antenna Gain < 6 dBi)	2	1	Pass + Applicants declaration: Antenna Gain
		(1)(iv) 5.15-5.25 GHz Client devices	6.2.1.1	250 mW + 6 dBi			
		(2) 5.25-5.35 GHz & 5.47-5.725 GHz	6.2.2.1	lesser of 250mW or 11dBm+10logB + 6 dBi			
		(3) 5.725-5.85 GHz	6.2.3.1 6.2.4.1	1 W + 6 dBi			
Antenna gain information	Antenna terminal (conducted)	§15.407(a) (1)(2)(3)	RSS-247, Issue 2 chapter 6.2.1.1 6.2.2.1 6.2.3.1 6.2.4.1	< 6dBi or if Antenna directional Gain > 6dBi reduction of Max. power & power spectral density by the amount in dB that the directional gain of the antenna exceeds 6 dBi	--	--	Applicants declaration: Antenna Gain

<p>General field strength emissions within restricted bands + Band-Edge compliance radiated</p>	<p>Enclosure + Inter-connecting cables (radiated)</p>	<p>§15.407(b) (1)(2)(3)(4)(5)(6)(7)(8) §15.205 + §15.209</p>	<p>RSS-Gen., Issue 4 + RSS-247, Issue 2 Chapter 6.2.1.2, 6.2.2.2 6.2.3.2, + 6.2.4.2 RSS-Gen., Issue 4 + RSS-247, Issue 2 Chapter 6.2.1.2, 6.2.2.2 6.2.3.2, + 6.2.4.2</p>	<p>5150-5250 MHz 5250-5350 MHz 5470-5725 MHz all emissions outside operating band shall not exceed -27 dBm/MHz e.i.r.p. 5725-5850 MHz Spectrum Mask acc. to (4)(i) Restricted band limits + General field strength limits</p>	<p>1</p>	<p>1,2</p>	<p>Pass</p>
<p>Transmit power control + Dynamic frequency selection (DFS)</p>	<p>Antenna terminal (conducted)</p>	<p>§15.407 (h1)(h2)</p>	<p>RSS-Gen., Issue 4 + RSS-247, Issue 2 Chapter 6.3</p>	<p>Requirements: Masters Active clients Passive clients</p>	<p>--</p>	<p>--</p>	<p>Remark 1)</p>
<p>Discontinuous transmissions + Device security</p>	<p>FIRMWARE</p>	<p>§15.407(c) + §15.407(i)</p>	<p>RSS-247, Issue 2 Chapter 6.4 a + b + c</p>	<p>No transmissions in case of either absence of information to transmit or operational failure + Protection of firmware by unauthorized parties</p>	<p>--</p>	<p>--</p>	<p>Not tested Applicants declaration of implementation</p>
<p>AC-Power Lines Conducted Emissions</p>	<p>AC-Power lines or Battery Charger</p>	<p>§15.207(a)</p>	<p>RSS-Gen, Issue 4: Chapter 8.8 Table 3</p>	<p>AC Power line conducted limits</p>	<p>--</p>	<p>--</p>	<p>Not applicable</p>

Remark 1) Please refer to separate test report 1-4552/17-01

Specific Absorption Rate (SAR) Measurements (separation distance user to RF-radiating element within 20cm)						
Test cases	Port	References & Limits		EUT set-up	EUT op. mode	Result
		FCC Standard RSS Section	Test Limit			
Specific Absorption Rate (SAR) requirements	Cabinet + Inter-connecting cables (radiated)	§2.1091 §2.1093 + IEEE 1528-2013 + KDB 865664D01v0r04	Specific Absorption Rate (SAR) for Devices Used by the General Public (Uncontrolled Environment) : 1.6 W/Kg as averaged over any 1 g tissue	--	--	Refer test report Test report no.: CETECOM_TR17-1-0065901T67a

1.2. Attestation:

I declare that all measurements were performed by me or under my supervision and that all measurements have been performed and are correct to my best knowledge and belief to Innovation , Science and Economic Development (ISED) Canada standards. All requirements as shown in above table are met in accordance with enumerated standards.

.....
Dipl.-Ing. Rachid Acharkaoui
Responsible for test section

.....
Dipl.-Ing N. Perez
Responsible for test report

2. Administrative Data

2.1. Identification of the testing laboratory

Company name:	CETECOM GmbH
Address:	Im Teelbruch 116 45219 Essen - Kettwig Germany
Responsible for testing laboratory:	Dipl.-Ing. Rachid Acharkaoui
Deputy:	Dipl.-Ing. Niels Jeß

2.2. Test location

2.2.1. Test laboratory "CTC"

Company name:	see chapter 2.1. Identification of the testing laboratory
---------------	---

2.3. Organizational items

Responsible for test report and Project leader:	Dipl.-Ing N. Perez
Receipt of EUT:	2016-12-01
Date(s) of test:	2017-04-26 - 2017-06-09
Date of report:	2017-07-01

Version of template:	13.02

2.4. Applicant's details

Applicant's name:	Robert Bosch Car Multimedia GmbH
Address:	Robert-Bosch-Straße 200 31137 Hildeshim Germany
Contact :	Mr. Dirk Zamow

2.5. Manufacturer's details

Manufacturer's name:	same as Applicant
Address:	same as Applicant

3. Equipment under test (EUT)

3.1. Certification Data of Main EUT declared by Applicant

EUT Model	AIVIP32R0		
EUT Type	Car Tuner Navigation System with BT & WLAN		
FCC ID	YBN-AIVIP32R0		
ISED ID	9595A-AIVIP32R0		
Additional Information: Integrated Module			
Integrated Module	--		
Module Certification FCC ID	--		
Number of Integrated Modules	--		
Additional Information : Supported Technologies			
Technology	Modes	Frequency Range	Remarks
WLAN 5 GHz	WLAN 802.11a/n(HT20)/n(HT40)	5150 MHz – 5850 MHz	refer chapter 3.2
Bluetooth FHSS	Bluetooth BR-EDR	2402 MHz – 2480 MHz	not tested under this report
WLAN 2.4 GHz	WLAN 802.11b/g/n(HT20)	2412 MHz – 2462 MHz	not tested under this report

3.2. WLAN 5 GHz 802.11a/n Technical Data Of Main EUT as Declared by Applicant

EUT Model	AIVIP32R0		
EUT Model Type	Car multimedia system		
EUT Type	Car Tuner Navigation System with BT & WLAN		
EUT Applications	Car Tuner Navigation System with BT & WLAN		
Hardware Version	001		
Software Version	SW 344 (X128)		
Firmware Version	--		
Frequency Channel B.W. (USA bands only)**	U-NII 1: 5150-5250 MHz	<input checked="" type="checkbox"/> Ch 36 40 44 48	<input checked="" type="checkbox"/> Bandwidth 20 MHz
		<input checked="" type="checkbox"/> Ch. 38 46	<input checked="" type="checkbox"/> Bandwidth 40 MHz
		<input checked="" type="checkbox"/> Ch. 42	<input checked="" type="checkbox"/> Bandwidth 80 MHz
	U-NII2A: 5250-5350 MHz	<input checked="" type="checkbox"/> Ch 52 56 60 64	<input checked="" type="checkbox"/> Bandwidth 20 MHz
		<input checked="" type="checkbox"/> Ch. 54 62	<input checked="" type="checkbox"/> Bandwidth 40 MHz
		<input checked="" type="checkbox"/> Ch. 58	<input checked="" type="checkbox"/> Bandwidth 80 MHz
	U-NII 2C: 5470-5725 MHz	<input checked="" type="checkbox"/> Ch 100 104 108	<input checked="" type="checkbox"/> Bandwidth 20 MHz
		<input checked="" type="checkbox"/> Ch 112 116 120	
		<input checked="" type="checkbox"/> Ch 124 128 132	
		<input checked="" type="checkbox"/> Ch 136 140	<input checked="" type="checkbox"/> Bandwidth 40 MHz
		<input checked="" type="checkbox"/> Ch. 102 110 118	
		<input checked="" type="checkbox"/> Ch 126 134	
	U-NII 3: 5725 -5850 MHz	<input checked="" type="checkbox"/> Ch 106 122	<input checked="" type="checkbox"/> Bandwidth 80 MHz
		<input checked="" type="checkbox"/> Ch 149 153 157	<input checked="" type="checkbox"/> Bandwidth 20 MHz
		<input checked="" type="checkbox"/> Ch 161 165	<input checked="" type="checkbox"/> Bandwidth 40 MHz
<input checked="" type="checkbox"/> Ch 151 159		<input checked="" type="checkbox"/> Bandwidth 40 MHz	
<input checked="" type="checkbox"/> Ch 155		<input checked="" type="checkbox"/> Bandwidth 80 MHz	
Channels Power Settings	+9.5 dBm (According to Applicant's Declaration Max. Rated Power Values)		
802.11a – Mode OFDM Modulation Data Rates	<input checked="" type="checkbox"/> BPSK 6 Mbps / 9 Mbps <input checked="" type="checkbox"/> QPSK 12 Mbps / 18 Mbps <input checked="" type="checkbox"/> 16-QAM 24 Mbps / 36 Mbps <input checked="" type="checkbox"/> 64-QAM 48 Mbps / 54 Mbps		
802.11n – Mode OFDM Modulation Data Rates	<input checked="" type="checkbox"/> HT20 (MCS0 – MCS7) 7.2/14.4/21.7/28.9/43.3/57.8/65/72.2 Mbps <input checked="" type="checkbox"/> HT40 (MCS0 – MCS7) 15/30/45/60/90/120/135/150 Mbps		
802.11ac – Mode OFDM Modulation Data Rates	<input checked="" type="checkbox"/> HT20 (MCS0 – MCS9) 7.2/14.4/21.7/28.9/43.3/57.8/65/72.2 Mbps <input checked="" type="checkbox"/> HT40 (MCS0 – MCS9) 15/30/45/60/90/120/135/150 Mbps <input checked="" type="checkbox"/> HT80 (MCS0 – MCS9) 7.2/14.4/21.7/28.9/43.3/57.8/65/72.2 Mbps		
Antenna Details	<input checked="" type="checkbox"/> External, separate RF-connector		
Installed options (not tested within this test report)	<input checked="" type="checkbox"/> 802.11b/g/n <input checked="" type="checkbox"/> Bluetooth BDR/ EDR <input checked="" type="checkbox"/> GPS	Installed options (not tested within this test report)	
Antenna Type	TDK SMD Antenna		
ANT1 Gain (Peak)	5.3 dBi (2.4GHz BT/ WLAN)		
ANT2 Gain (Peak)	7.1 dBi (5GHz WLAN)		
Test Mode Settings	Please refer to “Instructions_RadioTypeApproval_9_6_2017” dated 2017-06-09		
MAX Field Strength (Radiated@3m)	U-NII 1: 5150-5250 MHz	102.56 dBµV/m (PK)	98.57 dBµV/m (AV)
	U-NII2A: 5250-5350 MHz	102.26dBµV/m (PK)	98.28 dBµV/m (AV)
	U-NII 2C: 5470-5725 MHz	103.21 dBµV/m (PK)	94.96 dBµV/m (AV)
	U-NII 3: 5725-5850 MHz	99.37 dBµV/m (PK)	95.71 dBµV/m (AV)
Power Supply	<input checked="" type="checkbox"/> DC power only: 15 Volt <input checked="" type="checkbox"/> Nominal Test Voltage : 15 Volt		
Special EMI Components	--		
EUT sample type	<input type="checkbox"/> Production	<input checked="" type="checkbox"/> Pre-Production	<input type="checkbox"/> Engineering
FCC label attached	<input type="checkbox"/> yes	<input checked="" type="checkbox"/> no	

3.3. EUT: Type, S/N etc. and short descriptions used in this test report

Short description*)	EUT	Type	S/N serial number	HW hardware status	SW software status
EUT A	AIVIP32R0	Car Tuner Navigation System with BT & WLAN	0003629	001	SW 344 (X128)
EUT B	AIVIP32R0	Car Tuner Navigation System with BT & WLAN	0003607	001	SW 344 (X128)

*) EUT short description is used to simplify the identification of the EUT in this test report.

3.4. Auxiliary Equipment (AE): Type, S/N etc. and short descriptions

AE short description *)	Auxiliary Equipment	Type	S/N serial number	HW hardware status	SW software status
AE 1	Cable harness reduced for power supply only	--	--	--	--
AE 2	Cable harness with loadboxes	--	--	--	--
AE 3	Test Laptop	--	--	--	--

*) AE short description is used to simplify the identification of the auxiliary equipment in this test report.

3.5. EUT set-ups

EUT set-up no. *)	Combination of EUT and AE	Description
set. 1	EUT B + AE 2 (+ AE3)	Used for radiated tests
set. 2	EUT A + AE 1 + AE3	Used for conducted tests

*) EUT set-up no. is used to simplify the identification of the EUT set-up in this test report.

3.6. EUT operating modes

EUT operating mode no.*1)	Description of operating modes	Additional information
op. 1	TX-Mode DC	With help of special test firmware a continuous traffic mode in duty cycle mode was set-up *2)
op. 2	TX-Mode Burst	With help of special test firmware a continuous traffic mode in burst mode was set-up *2)
op. 3	RX-Mode	With help of special test firmware RX-mode was set-up. *2)

*1) EUT operating mode no. is used to simplify the test report.

*2) Please refer to document “Instructions_RadioTypeApproval_9_6_2017” dated 2017-06-09 for additional information regarding operating mode setup and output power levels.

For 802.11b the Power level is always **14** and the modulation group is **0**

For 802.11g the Power level is always **11** and the modulation group is **1**

For 802.11n (2,4GHz) the Power level is always **11** and the modulation group is **1**

For 802.11n (5GHz) the Power level is always **10** and the modulation group is **1**

For 802.11a the Power level is always **10** and the modulation group is **1**

For 802.11ac the Power level is always **6** and the modulation group is **1**

4. Description of test system set-up's

4.1. Test system set-up for conducted measurements on antenna port

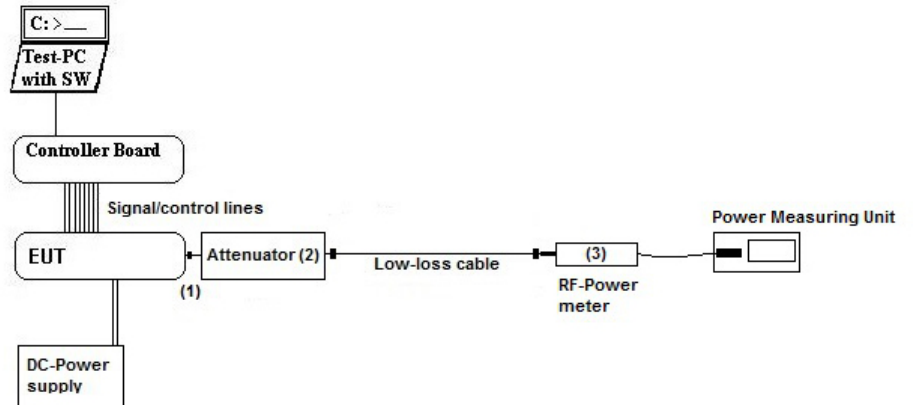
Conducted Set-up W1

Conducted RF-Setup 1 (W1 Set-up)

General description:

The EUT's RF-signal is coupled out by a suitable antenna coupling connector (1). The signal is first attenuated (2) then connected to the power meter (3) for conducted power measurements. The specific attenuation loss is determined prior to the measurement within a set-up attenuation measurement. These are then taken into account by correcting the measurement readings.

Schematic:



Testing method:

ANSI C63.10:2013,
KDB 789033 D02 General UNII Test Procedures New Rules v01r04

Used Equipment

Passive Elements	Test Equipment	Remark:
<input checked="" type="checkbox"/> 20 dB Attenuator	<input checked="" type="checkbox"/> Power Meter	See List of equipment under each test case and chapter 6 for calibration info
<input checked="" type="checkbox"/> Low loss RF-cables	<input checked="" type="checkbox"/> DC-Power Supply	
<input checked="" type="checkbox"/>	<input checked="" type="checkbox"/> Spectrum-Analyser	

Measurement uncertainty

See chapter 5.7

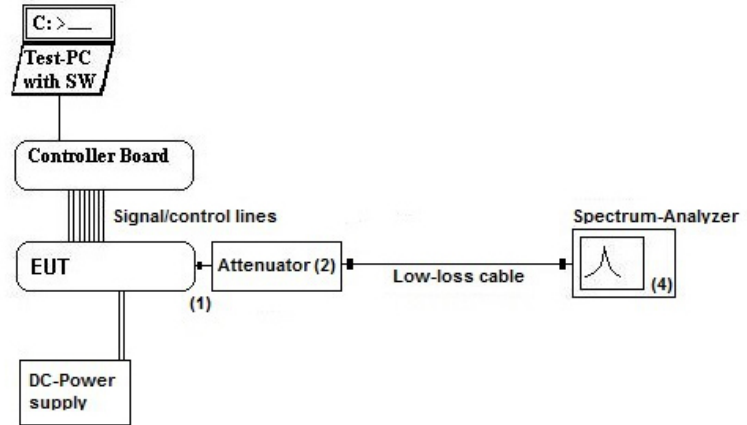
Conducted Set-up W2

Conducted RF-Setup 2 (W2 Set-up)

General description:

The EUT's RF-signal is coupled out by a suitable antenna coupling connector (1). The signal is first attenuated (2) then connected to spectrum-analyzer (4) for RF-conducted measurements. The specific attenuation loss is determined prior to the measurement within a set-up attenuation measurement. These are then taken into account by correcting the measurement readings of the spectrum-analyzer.

Schematic:



Testing method:

ANSI C63.10:2013,
KDB 789033 D02 General UNII Test Procedures New Rules v01r04

Used Equipment

Passive Elements	Test Equipment	Remark:
<input checked="" type="checkbox"/> 20 dB Attenuator	<input checked="" type="checkbox"/> Power Meter	See List of equipment under each test case and chapter 6 for calibration info
<input checked="" type="checkbox"/> Low loss RF-cables	<input checked="" type="checkbox"/> DC-Power Supply	
	<input checked="" type="checkbox"/> Spectrum-Analyser	

Measurement uncertainty

See chapter 5.7

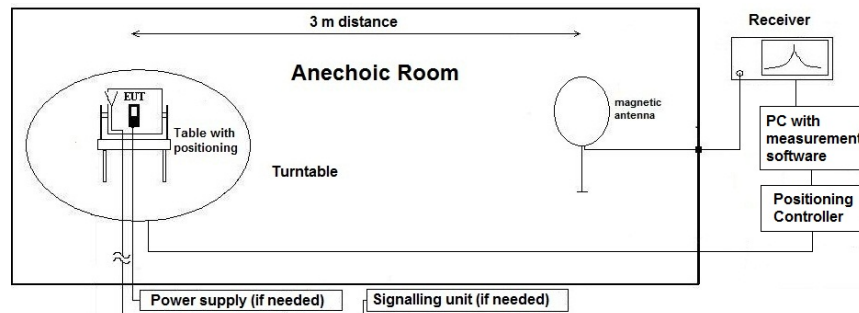
4.2. Test system set-up for radiated magnetic field measurements below 30 MHz

Specification: ANSI C63.4-2014 §5.3, §8.2.1, §8.3.1.1+§8.3.2.1 , ANSI C63.10-2013 chapter 6.4 (§6.4.4.2)

General Description: Evaluating the radiated field emissions are done first by an exploratory emission measurement and a final measurement for most critical frequencies determined.

The loop antenna was placed at 1 m height above ground plane and 3 m measurement distance from set-up for investigations. Because of reduced measurement distance, correction data were applied, as stated in chapter “General Limit - Radiated field strength emissions below 30 MHz“. The tests are performed in the semi anechoic room recognized by the regulatory commission.

Schematic:



Testing method:

Exploratory, preliminary measurement

The EUT and its associated accessories are placed on a non-conductive position manipulator (tipping device) of 0.8 m height which is placed on the turntable. By rotating the turntable (step 90°, range 0° to 360°) and the EUT itself either on 3-orthogonal axis (portable equipment) or 2-orthogonal axis (defined operational position of EUT), the emission spectrum was recorded. The loop antenna was moved at least to 2-perpendicular axes (antenna vector in direction of EUT and parallel to EUT) in order to maximize the emissions. The results are documented in a diagram. Critical frequencies (low margin to limit) are saved within a data reduction table for further investigations. If various operating modes are supported, further investigations are made to find the worst-case. Also the interconnection cables and equipment position were varied in order to maximize the emissions.

Final measurement on critical frequencies

Based on the exploratory measurements, the most critical frequencies are re-measured by maintaining the EUT's worst-case operation mode, cable position, etc.

First a frequency zoom around the critical frequency is done to locate the frequency more precisely. After this step, for all identified critical frequencies, the maximum peak was determined.

Following parameters were varied: the turntable angle continuously in the range 0 to 360 degree, the EUT itself either over 3-orthogonal axis (not defined usage position) or 2-orthogonal axis (defined usage position).

On the determined worst-case position, a final measurement with necessary bandwidth and detector according standard has been carried out.

Formula:

$$E_C = E_R + AF + C_L + D_F - G_A$$

$$M = L_T - E_C$$

AF = Antenna factor

C_L = Cable loss

D_F = Distance correction factor

E_C = Electrical field – corrected value

E_R = Receiver reading

G_A = Gain of pre-amplifier (if used)

L_T = Limit

M = Margin

All units are dB-units, positive margin means value is below limit.

Distance correction:

Reference for applied correction (extrapolating) factors due to reduced measurement distance:

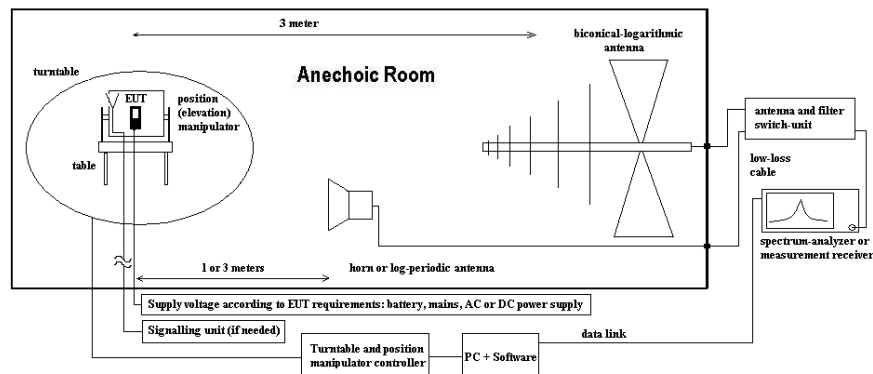
ANSI C63.10:2013, §6.4.4.2 - Equations (2) + (3) + (4)

4.3. Test system set-up for radiated electric field measurement 30 MHz to 1 GHz

Specification: ANSI C63.4-2014 chapter 8.2.3, ANSI C63.10-2013 chapter 6.5

General Description: Evaluating the field emissions have to be done first by an exploratory emissions measurement and a final measurement for most critical frequencies. The tests are performed in a NSA-compliant semi anechoic room (SAR) recognized by the regulatory commissions.

Schematic:



Testing method:

Exploratory, preliminary measurements

The EUT and its associated accessories are placed on a non-conductive position manipulator (tipping device) of 0.8 m height which is placed on the turntable. By rotating the turntable (range 0° to 360°, step 90°) and the EUT itself either on 3-orthogonal axis (portable equipment) or 2-orthogonal axis (defined operational position of EUT) the emission spectrum and its characteristics was recorded with an EMI-receiver, broadband antenna and software.

Measurement antenna: horizontal and vertical, heights: 1,0 m and 1,82 m as worst-case determined by an exploratory emission measurements. The results are documented in a diagram. Critical frequencies (low margin to limit) are saved within a table for further investigations. If various operating modes are supported, further investigations are made to find the worst-case of them. Also the interconnection cables and equipment position were varied in order to maximize the emissions.

Final measurement on critical frequencies

Based on the exploratory measurements, the most critical frequencies are re-measured by maintaining the EUT's worst-case operation mode, cable position, etc. either on 10m OATS or 3m semi-anechoic room.

First a frequency zoom around the critical frequency is done to locate the frequency more precisely. After this step, for all identified critical frequencies, the maximum peak was determined.

Following parameters were varied: the turntable angle continuously in the range 0 to 360 degree, the EUT itself either over 3-orthogonal axis (not defined usage position) or 2-orthogonal axis (defined usage position). The measurement antenna height between 1 m and 4 m.

On the determined worst-case position, a final measurement with necessary bandwidth and detector according standard has been carried out.

Formula:

$$E_C = E_R + AF + C_L + D_F - G_A \quad (1)$$

$$M = L_T - E_C \quad (2)$$

- AF = Antenna factor
- C_L = Cable loss
- D_F = Distance correction factor (if used)
- E_C = Electrical field – corrected value
- E_R = Receiver reading
- G_A = Gain of pre-amplifier (if used)
- L_T = Limit
- M = Margin

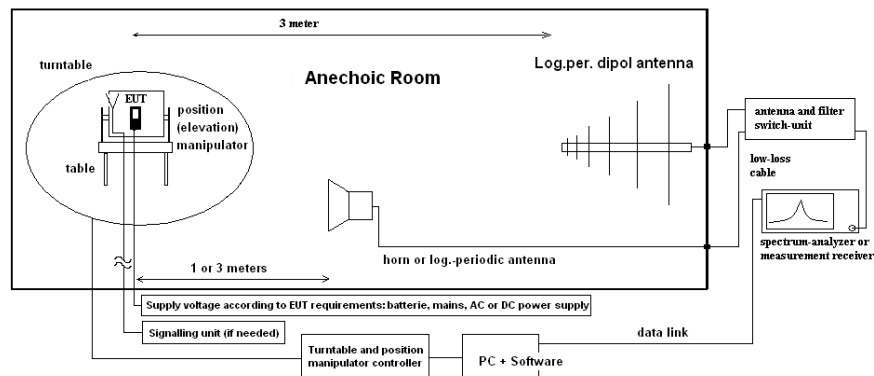
All units are dB-units, positive margin means value is below limit.

4.4. Test system set-up for radiated electric field measurement above 1 GHz

Specification: ANSI C63.4-2014 chapter 8.3, ANSI C63.10-2013 chapter 6.6.3.3 & 6.6.4

General Description: Evaluating the emissions have to be done first by an exploratory emissions measurement and a final measurement for most critical frequencies. The tests are performed in a CISPR 16-1-4:2010 compliant fully anechoic room (FAR) recognized by the regulatory commission. The measurement distance was set to 3 meter for frequencies up to 18 GHz and 2 meter above 18 GHz. A logarithmic periodic antenna is used for the frequency range 30 MHz to 1 GHz. Horn antennas are used for frequency range 1 GHz to 40 GHz. The EUT is aligned within 3 dB beam width of the measurement antenna with three orthogonal axis measurements on the EUT.

Schematic:



Testing method:

Exploratory, preliminary measurements

The EUT and its associated accessories are placed on a non-conductive position manipulator (tipping device) of 1.55 m height which is placed on the turntable. By rotating the turntable (range 0° to 360°, step 15°) and the EUT itself either on 3-orthogonal axis (portable equipment) or 2-orthogonal axis (defined operational position of EUT) the emission spectrum and its characteristics was recorded with an EMI-receiver, broadband antenna and software. The measurements are performed in horizontal and vertical polarization of the measurement antennas. The results are documented in a diagram. Critical frequencies (low margin to limit) are saved within a table for further investigations. If various operating modes are supported, further investigations are made to find the worst-case of them. Also the interconnection cables and equipment position were varied in order to maximize the emissions.

Final measurement on critical frequencies

Based on the exploratory measurements, the most critical frequencies are re-measured by maintaining the EUT's worst-case operation mode, cable position, etc.

First a frequency zoom around the critical frequency is done to locate the frequency more precisely. After this step, for all identified critical frequencies, the maximum peak was determined. Following parameters were varied: the turntable angle continuously in the range 0 to 360 degree, the EUT itself over 3-orthogonal axis and the height for EUT with large dimensions.

On the determined worst-case position, a final measurement with necessary bandwidth and detector according standard has been carried out. On the determined worst-case position, a final measurement with necessary bandwidth and detector according standard has been carried out.

Formula:

$$E_C = E_R + AF + C_L + D_F - G_A \quad (1)$$

$$M = L_T - E_C \quad (2)$$

E_C = Electrical field – corrected value

E_R = Receiver reading

M = Margin

L_T = Limit

AF = Antenna factor

C_L = Cable loss

D_F = Distance correction factor (if used)

G_A = Gain of pre-amplifier (if used)

All units are dB-units, positive margin means value is below limit.

5. Measurements

5.1. Duty-Cycle

5.1.1. Test location and equipment (for reference numbers please see chapter 'List of test equipment')

Ambient Climatic conditions		Temperature: (22±2)°C		Rel. humidity: (45±15)%		
Test Site	<input type="checkbox"/> 441 EMI SAR	<input type="checkbox"/> 348 EMI cond.	<input type="checkbox"/> 443 EMI FAR	<input checked="" type="checkbox"/> 347 Radio.lab.	<input type="checkbox"/> 337 OATS	<input type="checkbox"/>
Equipment	<input type="checkbox"/> 331 HC 4055	<input type="checkbox"/>	<input type="checkbox"/>	<input checked="" type="checkbox"/> 693 TS8997	<input type="checkbox"/>	<input type="checkbox"/>
Spectr. Analys.	<input checked="" type="checkbox"/> 683 FSU26	<input type="checkbox"/> 120 FSEM	<input type="checkbox"/> 264 FSEK	<input checked="" type="checkbox"/> 693 TS8997	<input type="checkbox"/>	<input type="checkbox"/>
Power Meter	<input type="checkbox"/> 262 NRV-S	<input type="checkbox"/> 266 NRV-Z31	<input type="checkbox"/> 265 NRV-Z33	<input type="checkbox"/> 261 NRV-Z55	<input type="checkbox"/> 356 NRV-Z1	<input type="checkbox"/>
Multimeter	<input type="checkbox"/> 341 Fluke 112	<input type="checkbox"/>	<input type="checkbox"/>	<input type="checkbox"/>	<input type="checkbox"/>	<input type="checkbox"/>
DC Power	<input type="checkbox"/> 086 LNG50-10	<input checked="" type="checkbox"/> 087 EA3013	<input type="checkbox"/> 354 NGPE 40	<input type="checkbox"/> 349 car battery	<input type="checkbox"/> 350 Car battery	<input type="checkbox"/> 463 HP3245A
Supply Voltage	<input type="checkbox"/> 230 V 50 Hz via public mains		<input checked="" type="checkbox"/> 15 V DC			
Otherwise	<input checked="" type="checkbox"/> 530 Attenuator 10dB	<input checked="" type="checkbox"/> K4 Cable				

Method of measurement: conducted
 radiated

A special firmware program is used for test purposes. In contrast to normal operating mode a higher duty-cycle is set in order to facilitate the measurements. This is maximized at the extent possible.

The necessary duty-cycle correction factor is determined on nominal conditions on 1 channel for all sub-bands. It is assumed that no noticeable changes occur when tested on other channels or climatic conditions.

Calculated with following formulas:

Duty cycle:	$x = \frac{T_{x_{on}}}{T_{x_{on}} + T_{x_{off}}}$	Duty cycle factor [dB]:	$10 \log \left(\frac{1}{x} \right)$
-------------	---	-------------------------	--------------------------------------

Results:

Set-up No.:	2
Op. Mode:	1

DUTY-CYCLE Measurement								
WLAN 5 GHz	Marker 1	Marker 2	Marker 3	TX ON Marker 2 - Marker 1	TX OFF Marker 3 - Marker 2	Duty Cycle	Correction- Factor: 100log(1/DC)	Plot No.
Data Rate	ms	ms	ms	ms	ms	(%)	(dB)	(Remark 1)
WLAN 5 GHz a-Mode Ch 36 (5180 MHz)								
6MBit	1,561538	3,632128	5,816000	2,07059	2,18387	48,67	3,13	1
WLAN 5 GHz n(HT20)-Mode Ch 36 (5180 MHz)								
MCS0	2,134615	4,083333	6,451923	1,94872	2,36859	45,14%	3,45	4
WLAN 5 GHz n(HT40)-Mode Ch 38 Ch 62 Ch 102 Ch 151								
MCS1	391,410000	1388,000000	1394,000000	996,59000	6,00000	99,40%	0,03	8
MCS3	542,051282	1235,642000	1545,256000	693,59072	309,61400	69,14%	1,60	9
MCS1	173,461538	1170,051000	1176,667000	996,58946	6,61600	99,34%	0,03	8
MCS5	519,615385	1516,205000	1522,821000	996,58962	6,61600	99,34%	0,03	9
WLAN 5 GHz ac(HT20)-Mode Ch 36 (5180 MHz)								
MCS0	0,929487	2,873397	6,080929	1,94391	3,20753	37,74%	4,23	4
WLAN 5 GHz ac(HT40)-Mode Ch 42 (5190 MHz)								
MCS6	381,794872	1388,000000	1391,410000	1006,20513	3,41000	99,66%	0,01	8
WLAN 5 GHz ac(HT80)-Mode Ch 42 (5190 MHz)								
MCS0	0,666667	1,130154	5,820513	0,46349	4,69036	8,99%	10,46	8

Remark 1: For further details please refer → Annex 1: Test results CETECOM_TR17-1-00659T60a-A1

- The results were corrected in order to evaluate for worst-case result each time when average values are necessary for example average radiated emissions or similar
- No correction necessary: Duty-Cycle > 98%

5.2. RF-Parameter - Transmitter Peak output power (conducted and radiated)

5.2.1. Test location and equipment (for reference numbers please see chapter 'List of test equipment')

test location	<input checked="" type="checkbox"/> CETECOM Essen (Chapter. 2.2.1)	<input type="checkbox"/> 443 System CTC-FAR-EMI-	<input type="checkbox"/> Please see Chapter. 2.2.3
test site	<input type="checkbox"/> 441 EMI SAR	<input type="checkbox"/> 487 SAR NSA	<input type="checkbox"/> 337 OATS <input checked="" type="checkbox"/> 347 Radio.lab.
receiver	<input type="checkbox"/> 377 ESCS30	<input type="checkbox"/> 001 ESS	<input type="checkbox"/> 489 ESU 40 <input type="checkbox"/> 620 ESU 26
otherwise	<input checked="" type="checkbox"/> 600 NRVD	<input checked="" type="checkbox"/> 357 NRV-Z1	<input checked="" type="checkbox"/> 693 TS8997
spectr. analys.	<input type="checkbox"/> 215 FSU	<input type="checkbox"/> 120 FSEM	<input type="checkbox"/> 264 FSEK
power supply	<input type="checkbox"/> 456 EA 3013A	<input checked="" type="checkbox"/> 457 EA 3013A	<input type="checkbox"/> 459 EA 2032-50 <input type="checkbox"/> 268 EA- 3050 <input type="checkbox"/> 494 AG6632A <input type="checkbox"/> 354 NGPE 40
otherwise	<input checked="" type="checkbox"/> 613 20 dB Attenuator	<input type="checkbox"/> 248 6 dB Attenuator	<input type="checkbox"/> 529 Power divider <input type="checkbox"/> - cable OTA20 <input type="checkbox"/> 530 10dB Atten <input type="checkbox"/> K5 Cable
Supply voltage	<input type="checkbox"/> 230 V 50 Hz via public mains		<input checked="" type="checkbox"/> 15 V DC

5.2.2. Reference:

FCC	<input checked="" type="checkbox"/> Part 15 Subpart C, §15.407(a)(1)(2)(3)(4)
ANSI	<input checked="" type="checkbox"/> C63.10-2013
KDB Guidance no.	<input checked="" type="checkbox"/> KDB 789033 D02 General UNII Test Procedures New Rules v01r04: Subchapter E, <u>Method PM (3)(a)</u> <input type="checkbox"/> KDB 662911 D01 Multiple Transmitter Output v02r01 (MIMO, Smart-antenna)
Limits	<p><input checked="" type="checkbox"/> Frequency Band 5150 – 5250 MHz</p> <p><input type="checkbox"/> Outdoor access point: maximum conducted power shall not exceed 1 W if Antenna Gain < 6 dBi if Antenna Gain > 6 dBi maximum conducted output power shall be reduced by the amount in dB that the directional gain of the antenna exceeds 6 dBi</p> <p><input type="checkbox"/> Indoor access point: maximum conducted power shall not exceed 1 W if Antenna Gain < 6 dBi if Antenna Gain > 6 dBi maximum conducted output power shall be reduced by the amount in dB that the directional gain of the antenna exceeds 6 dBi</p> <p><input type="checkbox"/> Fixed point to point access point: maximum conducted power shall not exceed 1 W if Antenna Gain < 6 dBi if Antenna Gain > 6 dBi maximum conducted output power shall be reduced by the amount in dB that the directional gain of the antenna exceeds 6 dBi</p> <p><input checked="" type="checkbox"/> Client devices: maximum conducted power shall not exceed 250 mW if Antenna Gain < 6 dBi if Antenna Gain > 6 dBi maximum conducted output power shall be reduced by the amount in dB that the directional gain of the antenna exceeds 6 dBi</p> <hr/> <p><input checked="" type="checkbox"/> Frequency Band 5250 – 5350 MHz <input checked="" type="checkbox"/> Frequency bands 5470- 5725 MHz</p> <p><input checked="" type="checkbox"/> All Devices: maximum conducted power lesser of 250 mW or $11 + 10 \log_{10}B$, dBm (B:26 dB emission B.W. in MHz)</p> <hr/> <p><input checked="" type="checkbox"/> Frequency band 5725-5850 MHz</p> <p><input checked="" type="checkbox"/> All Devices: maximum conducted power shall not exceed 1 W if Antenna Gain < 6 dBi if Antenna Gain > 6 dBi maximum conducted output power shall be reduced by the amount in dB that the directional gain of the antenna exceeds 6 dBi</p>

5.2.3. Antenna characteristics:

- directional gain < 6 dBi (Applicants declaration)
- directional gain > 6 dBi (measured / applicant's declaration) -> conducted power reduction necessary

5.2.4. EUT settings:

The EUT was instructed to send with maximum power (if adjustable) according applicants instructions.

5.2.5. Measurement method:

Method used	Reference to KDB	Remarks:
<input type="checkbox"/> SA	KDB 789033 D02 General UNII Test Procedures New Rules v01r04	Integration bandwidth method
<input checked="" type="checkbox"/> Power Meter	a.) Method PM	A wideband thermocouple RF-power meter as described by KDB was used. <input checked="" type="checkbox"/> Duty-Cycle correction necessary <input type="checkbox"/> A value correction is not necessary since the EUT is transmitting continuously at duty-cycle > 98%.

5.2.6. Conducted power measurement and EIRP calculations

• Applicant’s declared Maximum Directional Antenna Peak Gain :

- U-NII 1: 7.10dBi
- U-NII 2: 5.80dBi
- U-NII 2C: 2.31dBi
- U-NII 3: 1.03dBi

Set-up No.:	2
Op. Mode:	1 (WLAN 5 GHz a Mode B.W. 20 MHz Power Settings: 10)

Operational bands:	U-NII 1			U-NII-2A			U-NII-2C			U-NII-3		
Channel no.:	Channel 36 (5180MHz)	Channel 40 (5200MHz)	Channel 48 (5240MHz)	Channel 52 (5260MHz)	Channel 56 (5280MHz)	Channel 64 (5320MHz)	Channel 100 (5500MHz)	Channel 116 (5580MHz)	Channel 140 (5700MHz)	Channel 149 (5745MHz)	Channel 157 (5785MHz)	Channel 165 (5825MHz)
a-Mode												
6Mbit	7,9	7,9	8,1	8,2	8,3	8,4	8,8	9	9,2	9,4	9,5	9,7
9Mbit	7,8	7,8	8	8,1	8,1	8,3	8,7	8,9	9,1	9,2	9,4	9,5
12Mbit	7,8	8,1	8,1	8,1	8,2	8,3	8,8	8,9	9,2	9,3	9,4	9,6
18Mbit	7,8	8,1	8	8,1	8,2	8,3	8,8	8,9	9,2	9,3	9,4	9,6
24Mbit	7,8	8	8,1	8,1	8,2	8,3	8,8	8,9	9,2	9,3	9,4	9,6
36Mbit	7,8	8,1	8	8,1	8,2	8,3	8,8	8,9	9,1	9,3	9,4	9,6
48Mbit	7,8	8	8,1	8,1	8,2	8,3	8,8	8,9	9,2	9,3	9,4	9,6
54Mbit	7,9	8,1	8,1	8,1	8,2	8,3	8,8	8,9	9,2	9,3	9,5	9,6

Operational bands:	U-NII 1	U-NII-2A	U-NII-2C	U-NII-3
FCC-Limits conducted power [dBm]	22,90	24,00	24,00	30,00
FCC-Limits EIRP [dBm]	30,00	30,00	30,00	36,00

Limit Check:	Limit Check:			
Highest conducted power value over channels and modulations:	8,1	8,4	9,2	9,7
Margin to Limit conducted power:	14,80	15,60	14,80	20,30
Declared antenna Gain:	7,10	5,80	2,31	1,03
Peak EIRP	15,20	14,20	11,51	10,73
Margin to Limit EIRP	14,80	15,80	18,49	25,27
Verdict:	pass	pass	pass	pass

Remark : Please refer Chapter 5.1 for applicable Duty-Cycle Correction Factor

Set-up No.:	2
Op. Mode:	1 (WLAN 5 GHz n Mode B.W. 20 MHz Power Settings: 10)

Operational bands:	U-NII 1			U-NII-2A			U-NII-2C			U-NII-3		
Channel no.:	Channel 36 (5180MHz)	Channel 40 (5200MHz)	Channel 48 (5240MHz)	Channel 52 (5260MHz)	Channel 56 (5280MHz)	Channel 64 (5320MHz)	Channel 100 (5500MHz)	Channel 116 (5580MHz)	Channel 140 (5700MHz)	Channel 149 (5745MHz)	Channel 157 (5785MHz)	Channel 165 (5825MHz)
n-Mode												
MCS0 - 6.5Mbps	6,6	6,7	6,9	7,2	7,3	7,9	7,6	7,3	6,8	6,8	7	7
MCS1 - 13Mbps	6,4	6,4	6,6	7	7,4	7,6	7,3	7	6,9	6,6	6,9	6,6
MCS2 - 19.5Mbps	6,1	6,3	6,6	7	7,3	7,5	7,2	7,3	6,9	6,7	6,9	6,7
MCS3 - 26Mbps	6,1	6,1	6,5	7	7,3	7,5	7,3	7,2	6,8	6,7	6,9	6,7
MCS4 - 39Mbps	6,2	6,2	6,6	6,9	7,4	7,6	7,2	7,2	6,9	6,7	6,9	6,7
MCS5 - 52Mbps	6,2	6,6	6,5	7,1	7,4	7,5	7,3	6,8	6,8	6,9	7	6,7
MCS6 - 58.5Mbps	6,2	6,3	6,6	7,1	7,4	7,6	7,3	6,8	6,8	6,8	7	6,7
MCS7 - 65Mbps	6,2	6,1	6,6	7	7,4	7,5	7,2	6,8	6,8	6,7	7	6,7
Operational bands:	U-NII 1			U-NII-2A			U-NII-2C			U-NII-3		
FCC Limits conducted power [dBm]	22,90			24,00			24,00			30,00		
FCC Limits EIRP [dBm]	30,00			30,00			30,00			36,00		
Limit Check:	Limit Check:											
Highest conducted power value over channels and modulations:	6,9			7,9			7,6			7,0		
Margin to limit conducted power:	16,00			16,10			16,40			23,00		
Declared antenna Gain:	7,10			5,80			2,31			1,03		
Peak EIRP	14,00			13,70			9,91			8,03		
Margin to Limit EIRP	16,00			16,30			20,09			27,97		
Verdict:	pass			pass			pass			pass		

Remark : Please refer Chapter 5.1 for applicable Duty-Cycle Correction Factor

Set-up No.:	2
Op. Mode:	1 (WLAN 5 GHz n Mode B.W. 40 MHz Power Settings: 10)

Operational bands:	U-NII 1		U-NII-2A		U-NII 2C		U-NII-3		
Channel no.:	Channel 38 (5190MHz)	Channel 46 (5230MHz)	Channel 54 (5270MHz)	Channel 62 (5310MHz)	Channel 102 (5550MHz)	Channel 118 (5590MHz)	Channel 134 (5670MHz)	Channel 151 (5755MHz)	Channel 159 (5815MHz)
HT40: n-Mode									
MCS0	4,8	5,3	5,4	6,1	7,9	7,9	7,4	6,8	6,9
MCS1	4,9	5,4	5,5	6,1	8	7,9	7,5	6,8	6,5
MCS2	4,9	5,4	5,5	6,1	8	8	7,5	6,8	6,5
MCS3	4,9	5	5,6	6,2	8	7,9	7,6	6,8	6,5
MCS4	4,9	5	5,6	6,2	8	7,9	7,6	6,8	6,5
MCS5	4,9	5,4	5,5	6,2	8	8	7,5	6,9	6,6
MCS6	4,9	5,4	5,5	6,2	7,9	8	7,5	6,9	6,6
MCS7	4,9	5,4	5,5	6,2	8	8	7,5	6,9	6,6
maximum	5,4		6,2		8		6,9		
worst case	MCS1		MCS3		MCS1		MCS5		
Operational bands:	U-NII 1		U-NII-2A		U-NII 2C		U-NII-3		
FCC-Limits output power [dBm]	22,90		24,00		24,00		30		
FCC-Limits EIRP [dBm]	30,00		30,00		30,00		36		
Limit Check:	Limit Check:								
Highest conducted power value over channels and	5,4		6,2		8,0		6,9		
Margin to Limit output power:	17,50		17,80		16,00		23,1		
Declared antenna Gain:	7,10		5,80		2,31		1,03		
Peak EIRP	12,50		12,00		10,31		7,93		
Margin to Limit EIRP:	17,50		18,00		19,69		28,07		
Verdict:	pass		pass		pass		pass		

Remark : Please refer Chapter 5.1 for applicable Duty-Cycle Correction Factor

Remark : Please refer Chapter 5.1 for applicable Duty-Cycle Correction Factor

Set-up No.:	2
Op. Mode:	1 (WLAN 5 GHz ac Mode B.W. 20 MHz Power Settings: 6)

Operational bands:	U-NII 1			U-NII-2A			U-NII 2C			U-NII-3		
Channel no.:	Channel 36 (5180MHz)	Channel 40 (5200MHz)	Channel 48 (5240MHz)	Channel 52 (5260MHz)	Channel 56 (5280MHz)	Channel 64 (5320MHz)	Channel 100 (5500MHz)	Channel 116 (5580MHz)	Channel 140 (5700MHz)	Channel 149 (5745MHz)	Channel 157 (5785MHz)	Channel 165 (5825MHz)
ac-Mode/6dBm												
MCS0	0,9	0,9	1,4	1,5	1,6	2,5	4,2	3,9	3,5	3,3	3,1	2,9
MCS1	1,1	0,9	1,4	1,5	1,7	2	3,7	3,9	3,6	2,8	2,8	2,3
MCS2	1,1	0,9	1,3	1,6	1,7	2,1	3,7	4	3,6	2,9	2,8	2,4
MCS3	1,2	1	1	1,6	1,7	2,1	3,7	4	3,3	2,9	2,9	2,4
MCS4	1,1	1	1,1	1,6	1,8	2,1	3,7	4	3,3	2,9	2,9	2,4
MCS5	0,7	1,1	1	1,6	1,3	2,1	3,7	4	3,2	3	2,9	2,5
MCS6	0,9	1,1	1	1,6	1,3	2,1	3,7	4	3,3	3	2,8	2,5
MCS7	1	1,1	1	1,6	1,3	2,1	3,6	4	3,4	3	2,9	2,5
MCS8	0,9	1	1	1,6	1,4	2,1	3,7	3,9	3,3	2,9	2,8	2,4
MCS9	1,2	1,1	1,4	1,6	1,8	2,5	4,2	4	3,6	3,3	3,1	2,9
Operational bands:	U-NII 1			U-NII-2A			U-NII 2C			U-NII 2C		
FCC-Limits output power [dBm]	22,90			24,00			24,00			30,00		
FCC-Limits EIRP [dBm]	30,00			30,00			30,00			36,00		
Limit Check:	Limit Check:											
Highest conducted power value over channels and modulations:	1,4			2,5			4,2			3,3		
Margin to Limit output power:	21,50			21,50			19,80			26,70		
Declared antenna Gain:	7,10			5,80			2,31			1,03		
Peak EIRP:	8,50			8,30			6,51			4,33		
Margin to Limit EIRP:	21,50			21,70			23,49			31,67		
Verdict:	pass			pass			pass			pass		

Remark : Please refer Chapter 5.1 for applicable Duty-Cycle Correction Factor

Set-up No.:	2									
Op. Mode:	1 (WLAN 5 GHz ac Mode B.W. 40 MHz Power Settings: 6)									
Operational bands:	U-NII 1		U-NII-2A		U-NII 2C			U-NII-3		
Channel no.:	Channel 38 (5190MHz)	Channel 46 (5230MHz)	Channel 54 (5270MHz)	Channel 62 (5310MHz)	Channel 102 (5550MHz)	Channel 118 (5590MHz)	Channel 134 (5670MHz)	Channel 151 (5755MHz)	Channel 159 (5815MHz)	
HT40: AC-Mode/6dBm	38	46	54	62	102	118	134	151	159	
MCS0	2,2	2,4	2,5	2,7	3,1	3,1	3,5	3,7	3,9	
MCS1	2,3	2,5	2,6	2,6	3,1	3,3	3,5	3,7	3,9	
MCS2	2,3	2,4	2,6	2,7	3,1	3,3	3,5	3,7	3,9	
MCS3	2,3	2,5	2,6	2,6	3,2	3,8	4	4,3	4,4	
MCS4	2,9	3	3,1	3,3	3,7	3,8	4	4,4	4,4	
MCS5	2,9	2,9	3,1	3,2	3,8	3,9	4	4,3	4,4	
MCS6	2,9	3	3,1	3,3	3,7	3,9	4	4,2	4,5	
MCS7	2,9	3	3,1	3,2	3,7	3,9	4	4,3	4,4	
MCS8	2,8	3	3,1	3,2	3,8	3,8	4	4,3	4,4	
MCS9	2,9	3	3,1	3,3	3,7	3,8	4	4,3	4,5	
Operational bands:	U-NII 1		U-NII-2A		U-NII 2C			U-NII-3		
FCC-Limits [dBm]	22,90		24,00		24,00			30		
FCC-Limits [dBm]	30,00		30,00		30,00			36		
Limit Check:	Limit Check:									
Highest conducted power value over channels and modulations:	3		3,3		4,0			4,5		
Margin to Limit output power:	19,90		20,70		20,00			25,5		
Declared antenna Gain:	7,10		5,80		2,31			1,03		
Peak EIRP	10,10		9,10		6,31			5,53		
Margin to Limit EIRP	19,90		20,90		23,69			30,47		
Verdict:	pass		pass		pass			pass		

Remark : Please refer Chapter 5.1 for applicable Duty-Cycle Correction Factor

Set-up No.:	2				
Op. Mode:	1 (WLAN 5 GHz ac Mode B.W. 80 MHz Power Settings: 6)				
HT80: AC-Mode/6dBm	U-NII 1	U-NII-2A	U-NII 2C		U-NII-3
Channel no.:	Channel 42 (5210MHz)	Channel 58 (5290MHz)	Channel 106 (5530MHz)	Channel 122 (5610MHz)	Channel 155 (5775MHz)
MCS0	8,7	9	9,5	9,6	10,1
MCS1	8,1	8,4	8,9	9	9,4
MCS2	8,1	8,4	9	9,1	9,5
MCS3	8	8,3	8,9	9	9,4
MCS4	8,2	8,4	9,1	9,2	9,6
MCS5	8	8,3	8,9	9	9,5
MCS6	8,1	8,4	9	9,1	9,5
MCS7	8,1	8,3	8,9	9,1	9,5
MCS8	8,1	8,3	8,9	9	9,5
MCS9	8,1	8,3	8,9	9	9,5
Operational bands:	U-NII 1	U-NII-2A	U-NII 2C		U-NII-3
FCC-Limits output power [dBm]	22,90	24,00	24,00		30
FCC-Limits EIRP [dBm]	30,00	30,00	30,00		36
Limit Check:	Limit Check:				
Highest conducted power value over channels and modulations:	8,7	9,0	9,6		10,1
Margin to Limit output power:	14,20	15,00	14,40		19,9
Declared antenna Gain:	7,10	5,80	2,31		1,03
Peak EIRP	15,80	14,80	11,91		11,13
Margin to Limit EIRP:	14,20	15,20	18,09		24,87
Verdict:	pass	pass	pass		pass

Remark : Please refer Chapter 5.1 for applicable Duty-Cycle Correction Factor

5.2.7. Verdict: Pass

5.3. RF Parameter - 26 dB and 99% occupied Bandwidth

5.3.1. Test location and equipment (for reference numbers please see chapter 'List of test equipment')

test site	<input type="checkbox"/> 441 EMI SAR	<input type="checkbox"/> 348 EMI cond.	<input type="checkbox"/> 443 EMI FAR	<input checked="" type="checkbox"/> 347 Radio.lab.	<input type="checkbox"/> 337 OATS	<input type="checkbox"/>
spectr. analys.	<input type="checkbox"/> 584 FSU	<input type="checkbox"/> 120 FSEM	<input type="checkbox"/> 264 FSEK	<input checked="" type="checkbox"/> 489 ESU	<input type="checkbox"/>	<input type="checkbox"/>
attenuator	<input checked="" type="checkbox"/> 530 10 dB	<input type="checkbox"/>	<input type="checkbox"/>	<input type="checkbox"/>	<input type="checkbox"/>	<input type="checkbox"/>
signaling	<input type="checkbox"/> 392 MT8820A	<input type="checkbox"/> 436 CMU	<input type="checkbox"/> 547 CMU			
DCpower	<input type="checkbox"/> 463 Power source	<input type="checkbox"/> 087 EA3013	<input checked="" type="checkbox"/> 354 NGPE 40	<input type="checkbox"/> 086 LNG50-10	<input type="checkbox"/>	<input type="checkbox"/>
line voltage	<input type="checkbox"/> 230 V 50 Hz via public mains		<input type="checkbox"/> 15V DC			

5.3.2. Test condition and measurement test set-up

link to test system (if used):	<input type="checkbox"/> air link	<input checked="" type="checkbox"/> cable connection	<input type="checkbox"/>
Climatic conditions	Temperature: (22±3°C)		Rel. humidity: (40±20)%

5.3.3. References of occupied and emission bandwidth

FCC	<input checked="" type="checkbox"/> FCC 2.202 for information <input checked="" type="checkbox"/> Part 15 Subpart C, §15.407(e)
ISED	RSS-Gen, Issue 4, chapter 4.6.1 RSS-247, Issue 2
ANSI	<input checked="" type="checkbox"/> C63.10-2013
KDB Guidance no.	<input checked="" type="checkbox"/> 789033 D02 General UNII test procedures v01r04, Subchapter C
Limits	<input checked="" type="checkbox"/> necessary for maximum power limits depending of B <input checked="" type="checkbox"/> FCC/ISED: decision if DFS necessary for decision if due 26dBc emissions falling in 5250-5350MHz band <input checked="" type="checkbox"/> FCC §15.407(e)/ISED: minimum 500kHz for band 5725-5850MHz

5.3.4. EUT Settings:

The EUT was instructed to send with different power/ data rates (if adjustable) according applicants instructions. Different modulation characteristics have been checked, e.g. data rates which EUT can operate.

5.3.5. Measurement method:

The measurement was performed with the RBW set to approximately 1% of the emission bandwidth. The span was set to cover the complete carrier. Three carrier frequencies were used for showing the compliance with this requirement. A DELTA Marker method was set to measure the bandwidth compared to the highest In-Band power. The operating modes have been varied for **26 dB bandwidth** (e.g. data rate, modulation scheme, etc.).

Also the **99% occupied bandwidth** was measured. Two markers are placed on frequency points such that left to lower f-marker and right to higher f-marker only 1% of the TX-power is contained. Between the markers, 99% of the power is laying. The RBW value is readjusted and the measurement repeated until the RBW/EBW ratio is around 1%. The operating modes have been taken the maximum data rates, which had been found out at the output power conducted measurements.

5.3.6. Spectrum-Analyzer Settings: (check if accord. KDB)

Span	Set as to fully display the emissions and at least 26 dB below the PEAK level
Resolution Bandwidth (RBW)	Set to approx 1%
Video Bandwidth (VBW)	3 times the resolution bandwidth
Sweep time	Coupled and low enough to have no gaps within power envelope
Detector	PK (26 dB BW)/Sample (99% OBW)
Sweep mode	Repetitive Mode, MAX-HOLD

5.3.7. Results:

Set-up no.:	2				
Op. Mode:	1 (WLAN 5 GHz a Mode B.W. 20 MHz Power Settings: 10)				
	Channel No.	Nominal bandwidth	26 dB Bandwidth [MHz]	99% Occupied Bandwidth [MHz]	Diagram no.
UN-II-1	48	20	20.2	16.8	Remark 1
UN-II-2A	64		20.2	16.8	Remark 1
UN-II-2C	140		21.8	16.8	Remark 1
UN-NII-3	165		20.2	16.8	Remark 1

Remark 1: See diagrams in separate annex TR17-1-00659T60a-A1

Set-up no.:	2				
Op. Mode:	1 (WLAN 5 GHz n Mode B.W. 20 MHz Power Settings: 10)				
	Channel No.	Nominal bandwidth	26 dB Bandwidth [MHz]	99% Occupied Bandwidth [MHz]	Diagram no.
UN-II-1	48	20	20.6	18	Remark 1
UN-II-2A	64		20.6	17.8	Remark 1
UN-II-2C	140		25.2	18	Remark 1
UN-NII-3	165		20.6	17.8	Remark 1

Remark 1: See diagrams in separate annex TR17-1-00659T60a-A1

Set-up no.:	2				
Op. Mode:	1 (WLAN 5 GHz ac Mode B.W. 20 MHz Power Settings: 6)				
	Channel No.	Nominal bandwidth	26 dB Bandwidth [MHz]	99% Occupied Bandwidth [MHz]	Diagram no.
UN-II-1	48	20	20.8	17.8	Remark 1
UN-II-2A	64		20.8	17.8	Remark 1
UN-II-2C	140		20.8	17.8	Remark 1
UN-NII-3	149		20.6	17.8	Remark 1

Remark 1: See diagrams in separate annex TR17-1-00659T60a-A1

Set-up no.:	2				
-------------	---	--	--	--	--

Op. Mode:	1 (WLAN 5 GHz n Mode B.W. 40 MHz Power Settings: 10)				
	Channel No.	Nominal bandwidth	26 dB Bandwidth [MHz]	99% Occupied Bandwidth [MHz]	Diagram no.
UN-II-1	48	20	40.533334	32.26667	Remark 1
UN-II-2A	62		40.26667	32.26667	Remark 1
UN-II-2C	102		40.8	32.26667	Remark 1
UN-NII-3	159		40.066667	32.5333	Remark 1

Remark 1: See diagrams in separate annex TR17-1-00659T60a-A1

Set-up no.:	2				
Op. Mode:	1 (WLAN 5 GHz ac Mode B.W. 40 MHz Power Settings: 6)				
	Channel No.	Nominal bandwidth	26 dB Bandwidth [MHz]	99% Occupied Bandwidth [MHz]	Diagram no.
UN-II-1	48	20	41.066667	36.26666	Remark 1
UN-II-2A	62		40	36.26666	Remark 1
UN-II-2C	134		40.26667	36.26666	Remark 1
UN-NII-3	159		40.26667	36.26666	Remark 1

Remark 1: See diagrams in separate annex TR17-1-00659T60a-A1

Set-up no.:	2				
Op. Mode:	1 (WLAN 5 GHz ac Mode B.W. 80 MHz Power Settings: 6)				
	Channel No.	Nominal bandwidth	26 dB Bandwidth [MHz]	99% Occupied Bandwidth [MHz]	Diagram no.
UN-II-1	42	20	87.272728	76.410256	Remark 1
UN-II-2A	58		87.272728	76.923076	Remark 1
UN-II-2C	122		87.272728	76.923076	Remark 1
UN-NII-3	155		86.233767	76.410256	Remark 1

Remark 1: See diagrams in separate annex TR17-1-00659T60a-A1

5.3.8. Verdict (assignment): pass

5.4. RF Parameter – Peak Power Spectral Density (PPSD)

5.4.1. Test location and equipment (for reference numbers please see chapter 'List of test equipment')

test location	<input checked="" type="checkbox"/> CETECOM Essen (Chapter. 2.2.1)	<input type="checkbox"/> Please see Chapter. 2.2.2	<input type="checkbox"/> Please see Chapter. 2.2.3
test site	<input type="checkbox"/> 441 EMI SAR	<input type="checkbox"/> 487 SAR NSA	<input type="checkbox"/> 337 OATS
		<input checked="" type="checkbox"/> 347 Radio.lab.	<input type="checkbox"/>

receiver	<input type="checkbox"/> 377 ESCS30	<input type="checkbox"/> 001 ESS	<input checked="" type="checkbox"/> 489 ESU	<input type="checkbox"/>	<input type="checkbox"/>	<input type="checkbox"/>
spectr. analys.	<input type="checkbox"/> 215 FSU	<input type="checkbox"/> 120 FSEM	<input type="checkbox"/> 264 FSEK	<input type="checkbox"/>	<input type="checkbox"/>	<input type="checkbox"/>
power supply	<input type="checkbox"/> 456 EA 3013A	<input type="checkbox"/> 457 EA 3013A	<input type="checkbox"/> 459 EA 2032-50	<input type="checkbox"/> 268 EA- 3050	<input type="checkbox"/> 494 AG6632A	<input checked="" type="checkbox"/> 498 NGPE 40
otherwise	<input checked="" type="checkbox"/> 530 10dB Attenuator			<input checked="" type="checkbox"/> cable K15		

5.4.2. References

FCC	<input checked="" type="checkbox"/> Part 15 Subpart C, §15.407(a)(1)(2)(3)(4)
ISED	<input checked="" type="checkbox"/> RSS-247, Issue 2: chapter 6.2 and subchapters
ANSI	<input checked="" type="checkbox"/> C63.10-2013
KDB Guidances no.	<input checked="" type="checkbox"/> 789033 D02 General UNII test procedures v01r04: Subchapter F <input checked="" type="checkbox"/> 922611 D01 Multiple transmitter output v02r01
Limits [dBm/MHz]	<input checked="" type="checkbox"/> U-NII 1: 5.15-5.25 GHz: FCC Outdoor access point: 17dBm/MHz FCC Indoor Access Point: 17dBm/MHz FCC Mobile & Portable client: 11dBm/MHz
	ISED: <input checked="" type="checkbox"/> vehicle equipment by OEM <input checked="" type="checkbox"/> other device: 10 dBm/MHz
	<input checked="" type="checkbox"/> U-NII2: 5.25-5.35 GHz: FCC/ ISED: 11dBm
	<input checked="" type="checkbox"/> U-NII2+extension: 5.47-5.725 GHz: FCC/ ISED: 11dBm/MHz
Limits [dBm/500kHz]	<input checked="" type="checkbox"/> U-NII3: 5.725-5.85 GHz: FCC/ ISED: 30dBm/500kHz

Remark: --

5.4.3. EUT settings

- different channels have been measured for each transmitting sub-band
- The EUT was instructed to send with maximum power (if adjustable) according applicants instructions
- MIMO applicable measurement techniques (KDB 992611)
- no MIMO applicable

5.4.4. Measurement Method:

SA-1: The procedures were followed for measuring the average power spectrum as described under chapter “maximum conducted output power”: steps (i) to (viii). The measurements have been performed for each output RF-port if applicable. A screenshot and data bins transfer for further calculations were recorded. If the device contains more then one RF-ouput port, MIMO calculation procedures have been followed according KDB662911, Chapter E.2 a) “Measure and sum spectra across the outputs”. Resulting maximum PSD is reported for the MIMO condition.

The measured value is corrected due to external measuring set-up path losses and the resulting value is compared with the standard requirement. If the limit is E.I.R.P limit the antenna gain is added, eventually the array gain for MIMO systems.

5.4.4.1. Results:

Set-up no.:	2					
Op. Mode:	1 (20MHz nominal bandwidth)					
Band	Channel No.	Nominal bandwidth	Power spectral density [dBm/MHz]			Diagram no.
			a-Mode	n20-Mode	ac20-Mode	
UN-II-1	48	20	-5.468	-5.584	-9.483	Remark1
UN-II-2A	64		-3.640	-4.113	-7.906	Remark1
UN-II-2C	100		--	--	-6.456	Remark1
	140		-2.988	-3.319	--	Remark1
UN-NII-3	149		--	--	-10.887	Remark1
	165		-7.177	-7.189	--	Remark1

Remark 1: Only results for worst case modes are displayed, for additional information please refer to diagrams in separate annex TR17-1-00659T60a-A1

Set-up no.:	2				
Op. Mode:	1 (40MHz nominal bandwidth)				
Band	Channel No.	Nominal bandwidth	Power spectral density [dBm/MHz]		Diagram no.
			n40-Mode	AC40-Mode	
UN-II-1	46	40	-8.194	-11.856	Remark 1
UN-II-2A	62		-7.044	-11.181	Remark 1
UN-II-2C	102		-5.349	--	Remark 1
	134		--	-10.824	Remark 1
UN-NII-3	159		-9.567	-14.403	Remark 1

Remark 1: Only results for worst case modes are displayed, for additional information please refer to diagrams in separate annex TR17-1-00659T60a-A1

Set-up no.:	2			
Op. Mode:	1 (80MHz nominal bandwidth)			
Band	Channel No.	Nominal bandwidth	Power spectral density [dBm/MHz]	Diagram no.
			AC80-Mode	
UN-II-1	42	80	-15.769	Remark 1
UN-II-2A	58		-10.970	Remark 1
UN-II-2C	122		-13.333	Remark 1
UN-II-3	155		-17.906	Remark 1

Remark 1: Only results for worst case modes are displayed, for additional information please refer to diagrams in separate annex TR17-1-00659T60a-A1

5.4.5. Verdict: Passed

5.5. General Limit - Radiated field strength emissions below 30 MHz

5.5.1. Test location and equipment

test location	<input checked="" type="checkbox"/> CETECOM Essen (Chapter. 2.2.1)	<input type="checkbox"/> Please see Chapter. 2.2.2	<input type="checkbox"/> Please see Chapter. 2.2.3
test site	<input checked="" type="checkbox"/> 441 EMI SAR	<input type="checkbox"/> 487 SAR NSA	<input type="checkbox"/> 347 Radio.lab.
receiver	<input type="checkbox"/> 377 ESCS30	<input checked="" type="checkbox"/> 001 ESS	<input type="checkbox"/>
spectr. analys.	<input type="checkbox"/> 584 FSU	<input type="checkbox"/> 120 FSEM	<input type="checkbox"/> 264 FSEK
antenna	<input type="checkbox"/> 574 BTA-L	<input type="checkbox"/> 133 EMCO3115	<input type="checkbox"/> 302 BBHA9170
signaling	<input type="checkbox"/> 392 MT8820A	<input type="checkbox"/> 371 CBT32	<input type="checkbox"/> 547 CMU
otherwise	<input type="checkbox"/> 400 FTC40x15E	<input type="checkbox"/> 401 FTC40x15E	<input type="checkbox"/> 110 USB LWL
DC power	<input type="checkbox"/> 671 EA-3013S	<input checked="" type="checkbox"/> 457 EA 3013A	<input type="checkbox"/> 459 EA 2032-50
Supply voltage	<input type="checkbox"/> 230 V 50 Hz via public mains	<input checked="" type="checkbox"/> 15 V DC	<input type="checkbox"/> 268 EA- 3050
			<input type="checkbox"/> 594 CMW
			<input checked="" type="checkbox"/> 030 HFH-Z2
			<input type="checkbox"/> 477 GPS
			<input type="checkbox"/> 378 RadiSense
			<input type="checkbox"/> 494 AG6632A
			<input type="checkbox"/> 354 NGPE 40

5.5.2. Requirements

FCC	Part 15, Subpart C, §15.205 & §15.209			
ANSI	C63.10-2013			
Frequency [MHz]	Field strength limit		Distance [m]	Remarks
	[μ V/m]	[dB μ V/m]		
0.009 – 0.490	2400/f (kHz)	67.6 – 20Log(f) (kHz)	300	Correction factor used due to measurement distance of 3 m
0.490 – 1.705	24000/f (kHz)	87.6 – 20Log(f) (kHz)	30	Correction factor used due to measurement distance of 3 m
1.705 – 30	30	29.5	30	Correction factor used due to measurement distance of 3 m

5.5.3. Test condition and test set-up

Signal link to test system (if used):	<input type="checkbox"/> air link	<input type="checkbox"/> cable connection	<input checked="" type="checkbox"/> none
EUT-grounding	<input checked="" type="checkbox"/> none	<input type="checkbox"/> with power supply	<input type="checkbox"/> additional connection
Equipment set up	<input checked="" type="checkbox"/> table top		<input type="checkbox"/> floor standing
Climatic conditions	Temperature: (22 \pm 3°C)		Rel. humidity: (40 \pm 20)%
EMI-Receiver or Analyzer Settings	Scan data	<input checked="" type="checkbox"/> 9 – 150 kHz RBW/VBW = 200 Hz Scan step = 80 Hz <input checked="" type="checkbox"/> 150 kHz – 30 MHz RBW/VBW = 9 kHz Scan step = 4 kHz <input type="checkbox"/> other:	
	Scan-Mode	<input checked="" type="checkbox"/> 6 dB EMI-Receiver Mode <input type="checkbox"/> 3dB Spectrum analyser Mode	
	Detector Mode: Sweep-Time	Peak (pre-measurement) and Quasi-PK/Average (final if applicable) Repetitive-Scan, max-hold Coupled – calibrated display if continuous signal otherwise adapted to EUT's individual transmission duty-cycle	
General measurement procedures	Please see chapter "Test system set-up radiated magnetic field measurements below 30 MHz"		

5.5.4. Radiated Field Strength Emissions – 9 kHz to 30 MHz Results

Radiated Field Strength Emissions – 9 kHz to 30 MHz										
Temperature :+21 °C		Technology: WLAN 5 GHz 802.11a/n/ac			TX-Fixed Channel (Modulated)					
Diagram No. (Remark 1)	Test Settings				Set-up no.	OP-mode no.	Used detector			Verdict
	Mode B.W. Data Rate Frequency Band - Channel (Frequency)	PK	AV	QP						
2.10a/ 2.10b	a Mode 20 MHz 6 Mbit U-NII-1-Ch 48 (5240 MHz)				1	1	<input checked="" type="checkbox"/>	<input type="checkbox"/>	<input type="checkbox"/>	Pass
2.11a/ 2.11b	a Mode 20 MHz 6 Mbit U-NII-2A-Ch 64 (5320 MHz)				1	1	<input checked="" type="checkbox"/>	<input type="checkbox"/>	<input type="checkbox"/>	Pass
2.12a/ 2.12b	a Mode 20 MHz 6 Mbit U-NII-2C-Ch 140(5700 MHz)				1	1	<input checked="" type="checkbox"/>	<input type="checkbox"/>	<input type="checkbox"/>	Pass
2.13a/ 2.13b	a Mode 20 MHz 6 Mbit U-NII-3-Ch 165 (5825 MHz)				1	1	<input checked="" type="checkbox"/>	<input type="checkbox"/>	<input type="checkbox"/>	Pass
2.14a/ 2.14b	n Mode 20 MHz MCS0 U-NII-1-Ch 48 (5240 MHz)				1	1	<input checked="" type="checkbox"/>	<input type="checkbox"/>	<input type="checkbox"/>	Pass
2.15a/ 2.15b	n Mode 20 MHz MCS0 U-NII-2A-Ch 64 (5320 MHz)				1	1	<input checked="" type="checkbox"/>	<input type="checkbox"/>	<input type="checkbox"/>	Pass
2.16a/ 2.16b	n Mode 20 MHz MCS0 U-NII-2C-Ch 140(5700 MHz)				1	1	<input checked="" type="checkbox"/>	<input type="checkbox"/>	<input type="checkbox"/>	Pass
2.17a/ 2.17b	n Mode 20 MHz MCS0 U-NII-3-Ch 165 (5825 MHz)				1	1	<input checked="" type="checkbox"/>	<input type="checkbox"/>	<input type="checkbox"/>	Pass
2.23a/ 2.23b	ac Mode 20 MHz MCS0 U-NII-1-Ch 48 (5240 MHz)				1	1	<input checked="" type="checkbox"/>	<input type="checkbox"/>	<input type="checkbox"/>	Pass
2.24a/ 2.24b	ac Mode 20 MHz MCS0 U-NII-2A-Ch 64 (5320 MHz)				1	1	<input checked="" type="checkbox"/>	<input type="checkbox"/>	<input type="checkbox"/>	Pass
2.25a/ 2.25b	ac Mode 20 MHz MCS0 U-NII-2C-Ch 100(5500 MHz)				1	1	<input checked="" type="checkbox"/>	<input type="checkbox"/>	<input type="checkbox"/>	Pass
2.26a/ 2.26b	ac Mode 20 MHz MCS0 U-NII-3-Ch 149 (5745 MHz)				1	1	<input checked="" type="checkbox"/>	<input type="checkbox"/>	<input type="checkbox"/>	Pass
2.06a/ 2.06b	n Mode 40 MHz MCS1 U-NII-2C-Ch 46 (5230 MHz)				1	1	<input checked="" type="checkbox"/>	<input type="checkbox"/>	<input type="checkbox"/>	Pass
2.07a/ 2.07b	n Mode 40 MHz MCS3 U-NII-3-Ch 62 (5310 MHz)				1	1	<input checked="" type="checkbox"/>	<input type="checkbox"/>	<input type="checkbox"/>	Pass
2.08a/ 2.08b	n Mode 40 MHz MCS1 U-NII-1-Ch 102 (5510MHz)				1	1	<input checked="" type="checkbox"/>	<input type="checkbox"/>	<input type="checkbox"/>	Pass
2.09a/ 2.09b	n Mode 40 MHz MCS5 U-NII-2A-Ch 151 (5755 MHz)				1	1	<input checked="" type="checkbox"/>	<input type="checkbox"/>	<input type="checkbox"/>	Pass
2.18a/ 2.18b	ac Mode 40 MHz MCS6 U-NII-2C-Ch 46 (5230 MHz)				1	1	<input checked="" type="checkbox"/>	<input type="checkbox"/>	<input type="checkbox"/>	Pass
2.19a/ 2.19b	ac Mode 40 MHz MCS6 U-NII-3-Ch 62 (5310 MHz)				1	1	<input checked="" type="checkbox"/>	<input type="checkbox"/>	<input type="checkbox"/>	Pass
2.20a/ 2.20b	ac Mode 40 MHz MCS6 U-NII-1-Ch 134 (5670MHz)				1	1	<input checked="" type="checkbox"/>	<input type="checkbox"/>	<input type="checkbox"/>	Pass
2.22a/ 2.22b	ac Mode 40 MHz MCS6 U-NII-2A-Ch 159 (5795 MHz)				1	1	<input checked="" type="checkbox"/>	<input type="checkbox"/>	<input type="checkbox"/>	Pass
2.01a/ 2.01b	ac Mode 80 MHz MCS0 U-NII-2C-Ch 42(5210 MHz)				1	1	<input checked="" type="checkbox"/>	<input type="checkbox"/>	<input type="checkbox"/>	Pass
2.02a/ 2.02b	ac Mode 80 MHz MCS0 U-NII-3-Ch 58 (5290 MHz)				1	1	<input checked="" type="checkbox"/>	<input type="checkbox"/>	<input type="checkbox"/>	Pass
2.03a/ 2.03b	ac Mode 80 MHz MCS0 U-NII-2C-Ch 106(5530 MHz)				1	1	<input checked="" type="checkbox"/>	<input type="checkbox"/>	<input type="checkbox"/>	Pass
2.04a/ 2.04b	ac Mode 80 MHz MCS0 U-NII-3-Ch 122 (5610 MHz)				1	1	<input checked="" type="checkbox"/>	<input type="checkbox"/>	<input type="checkbox"/>	Pass
2.05a/ 2.05b	ac Mode 80 MHz MCS0 U-NII-3-Ch 155 (5775 MHz)				1	1	<input checked="" type="checkbox"/>	<input type="checkbox"/>	<input type="checkbox"/>	Pass

Remark 1: See diagrams in separate annex TR17-1-00659T60a-A1

5.5.5. Correction factors due to reduced meas. distance (f< 30 MHz)

The used correction factors when the measurement distance is reduced compared to regulatory measurement distance, are calculated according to Extrapolation formulas valid for EUT's with maximum dimension of 0.625xLambda. Formula 2+3+4 as presented in ANSI C63.10, Chapter 6.4.4 are used for the calculations of proper extrapolation factors.

Frequency Range	f [kHz/MHz]	Lambda [m]	Far-Field Point [m]	Distance Limit accord. 15.209 [m]	1st Condition (dmeas < D _{near-field})	2'te Condition (Limit distance bigger d _{near-field})	Distance Correction accord. Formula
kHz	9,00E+03	33333,33	5305,17	300	fulfilled	not fulfilled	-80,00
	1,00E+04	30000,00	4774,65		fulfilled	not fulfilled	-80,00
	2,00E+04	15000,00	2387,33		fulfilled	not fulfilled	-80,00
	3,00E+04	10000,00	1591,55		fulfilled	not fulfilled	-80,00
	4,00E+04	7500,00	1193,66		fulfilled	not fulfilled	-80,00
	5,00E+04	6000,00	954,93		fulfilled	not fulfilled	-80,00
	6,00E+04	5000,00	795,78		fulfilled	not fulfilled	-80,00
	7,00E+04	4285,71	682,09		fulfilled	not fulfilled	-80,00
	8,00E+04	3750,00	596,83		fulfilled	not fulfilled	-80,00
	9,00E+04	3333,33	530,52		fulfilled	not fulfilled	-80,00
	1,00E+05	3000,00	477,47		fulfilled	not fulfilled	-80,00
	1,25E+05	2400,00	381,97		fulfilled	not fulfilled	-80,00
	2,00E+05	1500,00	238,73		fulfilled	fulfilled	-78,02
	3,00E+05	1000,00	159,16		fulfilled	fulfilled	-74,49
	4,00E+05	750,00	119,37		fulfilled	fulfilled	-72,00
	4,90E+05	612,24	97,44		fulfilled	fulfilled	-70,23
	5,00E+05	600,00	95,49		fulfilled	not fulfilled	-40,00
	6,00E+05	500,00	79,58		fulfilled	not fulfilled	-40,00
7,00E+05	428,57	68,21	fulfilled	not fulfilled	-40,00		
8,00E+05	375,00	59,68	fulfilled	not fulfilled	-40,00		
9,00E+05	333,33	53,05	fulfilled	not fulfilled	-40,00		
MHz	1,00	300,00	47,75	30	fulfilled	not fulfilled	-40,00
	1,59	188,50	30,00		fulfilled	not fulfilled	-40,00
	2,00	150,00	23,87		fulfilled	fulfilled	-38,02
	3,00	100,00	15,92		fulfilled	fulfilled	-34,49
	4,00	75,00	11,94		fulfilled	fulfilled	-32,00
	5,00	60,00	9,55		fulfilled	fulfilled	-30,06
	6,00	50,00	7,96		fulfilled	fulfilled	-28,47
	7,00	42,86	6,82		fulfilled	fulfilled	-27,13
	8,00	37,50	5,97		fulfilled	fulfilled	-25,97
	9,00	33,33	5,31		fulfilled	fulfilled	-24,95
	10,00	30,00	4,77		fulfilled	fulfilled	-24,04
	10,60	28,30	4,50		fulfilled	fulfilled	-23,53
	11,00	27,27	4,34		fulfilled	fulfilled	-23,21
	12,00	25,00	3,98		fulfilled	fulfilled	-22,45
	13,56	22,12	3,52		fulfilled	fulfilled	-21,39
	15,00	20,00	3,18		fulfilled	fulfilled	-20,51
	15,92	18,85	3,00		fulfilled	fulfilled	-20,00
	17,00	17,65	2,81		not fulfilled	fulfilled	-20,00
	18,00	16,67	2,65		not fulfilled	fulfilled	-20,00
	20,00	15,00	2,39		not fulfilled	fulfilled	-20,00
	21,00	14,29	2,27		not fulfilled	fulfilled	-20,00
23,00	13,04	2,08	not fulfilled	fulfilled	-20,00		
25,00	12,00	1,91	not fulfilled	fulfilled	-20,00		
27,00	11,11	1,77	not fulfilled	fulfilled	-20,00		
29,00	10,34	1,65	not fulfilled	fulfilled	-20,00		
30,00	10,00	1,59	not fulfilled	fulfilled	-20,00		

5.6. General Limit - Radiated field strength emissions, 30 MHz - 1 GHz

5.6.1. Test location and equipment

test location	<input checked="" type="checkbox"/> CETECOM Essen (Chapter. 2.2.1)	<input type="checkbox"/> Please see Chapter. 2.2.2	<input type="checkbox"/> Please see Chapter. 2.2.3
test site	<input checked="" type="checkbox"/> 441 EMI SAR	<input checked="" type="checkbox"/> 487 SAR NSA	
receiver	<input type="checkbox"/> 377 ESCS30	<input checked="" type="checkbox"/> 001 ESS	<input type="checkbox"/> 489 ESU 40 <input type="checkbox"/> 620 ESU 26
spectr. analys.	<input type="checkbox"/> 584 FSU	<input type="checkbox"/> 120 FSEM	<input type="checkbox"/> 264 FSEK
antenna	<input checked="" type="checkbox"/> 574 BTA-L	<input type="checkbox"/> 133 EMCO3115	<input type="checkbox"/> 302 BBHA9170 <input type="checkbox"/> 289 CBL 6141 <input type="checkbox"/> 030 HFH-Z2 <input type="checkbox"/> 477 GPS
signaling	<input type="checkbox"/> 392 MT8820A	<input type="checkbox"/> 371 CBT32	<input type="checkbox"/> 547 CMU <input type="checkbox"/> 594 CMW
otherwise	<input type="checkbox"/> 400 FTC40x15E	<input type="checkbox"/> 401 FTC40x15E	<input type="checkbox"/> 110 USB LWL <input checked="" type="checkbox"/> 482 Filter Matrix
DC power	<input type="checkbox"/> 671 EA-3013S	<input checked="" type="checkbox"/> 457 EA 3013A	<input type="checkbox"/> 459 EA 2032-50 <input type="checkbox"/> 268 EA- 3050 <input type="checkbox"/> 494 AG6632A <input type="checkbox"/> 498 NGPE
Supply voltage	<input type="checkbox"/> 230 V 50 Hz via public mains	<input checked="" type="checkbox"/> 15V DC	

5.6.2. Requirements/Limits

FCC		<input type="checkbox"/> Part 15 Subpart B, §15.109, class B <input checked="" type="checkbox"/> Part 15 Subpart C, §15.209 @ frequencies defined in §15.205	
ANSI		<input type="checkbox"/> C63.4-2014 <input checked="" type="checkbox"/> C63.10-2013	
Limit	Frequency [MHz]	Radiated emissions limits, 3 meters	
		QUASI Peak [μ V/m]	QUASI-Peak [dB μ V/m]
	30 - 88	100	40.0
	88 - 216	150	43.5
	216 - 960	200	46.0
	above 960	500	54.0

5.6.3. Restricted bands of operation (FCC §15.205)

MHz	MHz	MHz	GHz
0.090-0.110	16.42-16.423	399.9-410	4.5-5.15
0.495-0.505	16.69475-16.69525	608-614	5.35-5.46
2.1735-2.1905	16.80425-16.80475	960-1240	7.25-7.75
4.125-4.128	25.5-25.67	1300-1427	8.025-8.5
4.20725-4.20775	37.5-38.25	1645.5-1646.5	9.3-9.5
6.215-6.218	73-74.6	1660-1710	10.6-12.7
6.26775-6.26825	74.8-75.2	1718.8-1722.2	13.25-13.4
6.31175-6.31225	108-121.94	2200-2300	14.47-14.5
8.291-8.294	123-138	2310-2390	15.35-16.2
8.362-8.366	149.9-150.05	2483.5-2500	17.7-21.4
8.37625-8.38675	156.52475-156.52525	2690-2900	22.01-23.12
8.41425-8.41475	156.7-156.9	3260-3267	23.6-24.0
12.29-12.293	162.0125-167.17	3332-3339	31.2-31.8
12.51975-12.52025	167.72-173.2	3345.8-3358	36.43-36.5
12.57675-12.57725	240-285	3600-4400	--
13.36-13.41	322-335.4	--	--

Remark: only spurious emissions are allowed within these frequency bands not exceeding the limits per §15.209

5.6.4. Test condition and measurement test set-up

Signal link to test system (if used):		<input type="checkbox"/> air link	<input type="checkbox"/> cable connection	<input checked="" type="checkbox"/> none
EUT-grounding		<input checked="" type="checkbox"/> none	<input type="checkbox"/> with power supply	<input type="checkbox"/> additional connection
Equipment set up		<input checked="" type="checkbox"/> table top 0.8m height <input type="checkbox"/> floor standing		
Climatic conditions		Temperature: (22±3°C)		Rel. humidity: (40±20)%
EMI-Receiver (Analyzer) Settings	Scan frequency range:	<input checked="" type="checkbox"/> 30 – 1000 MHz <input type="checkbox"/> other:		
	Scan-Mode	<input checked="" type="checkbox"/> 6 dB EMI-Receiver Mode <input type="checkbox"/> 3 dB spectrum analyser mode		
	Detector	Peak / Quasi-peak		
	RBW/VBW	100 kHz/300 kHz		
	Mode:	Repetitive-Scan, max-hold		
Scan step	80 kHz			
Sweep-Time	Coupled – calibrated display if continuous tx-signal otherwise adapted to EUT’s individual duty-cycle			
General measurement procedures		Please see chapter “Test system set-up for electric field measurement in the range 30 MHz to 1 GHz”		

5.6.5. Radiated Field Strength Emissions – 30 MHz to 1 GHz Results

Radiated Field Strength Emissions – 30 MHz to 1 GHz										
Temperature :+21 °C		Technology: WLAN 5 GHz 802.11a/n			TX-Fixed Channel (Modulated)					
Diagram No. (Remark 1)	Test Settings				Set-up no.	OP-mode no.	Used detector			Verdict
	Mode B.W. Data Rate Frequency Band - Channel (Frequency)	PK	AV	QP						
3.10a/ 3.10b	a Mode 20 MHz 6 Mbit U-NII-1-Ch 48 (5240 MHz)	1	1	<input checked="" type="checkbox"/>	<input type="checkbox"/>	<input type="checkbox"/>	Pass			
3.11a/ 3.11b	a Mode 20 MHz 6 Mbit U-NII-2A-Ch 64 (5320 MHz)	1	1	<input checked="" type="checkbox"/>	<input type="checkbox"/>	<input type="checkbox"/>	Pass			
3.12a/ 3.12b	a Mode 20 MHz 6 Mbit U-NII-2C-Ch 140(5700 MHz)	1	1	<input checked="" type="checkbox"/>	<input type="checkbox"/>	<input type="checkbox"/>	Pass			
3.13a/ 3.13b	a Mode 20 MHz 6 Mbit U-NII-3-Ch 165 (5825 MHz)	1	1	<input checked="" type="checkbox"/>	<input type="checkbox"/>	<input type="checkbox"/>	Pass			
3.14a/ 3.14b	n Mode 20 MHz MCS0 U-NII-1-Ch 48 (5240 MHz)	1	1	<input checked="" type="checkbox"/>	<input type="checkbox"/>	<input type="checkbox"/>	Pass			
3.15a/ 3.15b	n Mode 20 MHz MCS0 U-NII-2A-Ch 64 (5320 MHz)	1	1	<input checked="" type="checkbox"/>	<input type="checkbox"/>	<input type="checkbox"/>	Pass			
3.16a/ 3.16b	n Mode 20 MHz MCS0 U-NII-2C-Ch 140(5700 MHz)	1	1	<input checked="" type="checkbox"/>	<input type="checkbox"/>	<input type="checkbox"/>	Pass			
3.17a/ 3.17b	n Mode 20 MHz MCS0 U-NII-3-Ch 165 (5825 MHz)	1	1	<input checked="" type="checkbox"/>	<input type="checkbox"/>	<input type="checkbox"/>	Pass			
3.23a/ 3.23b	ac Mode 20 MHz MCS0 U-NII-1-Ch 48 (5240 MHz)	1	1	<input checked="" type="checkbox"/>	<input type="checkbox"/>	<input type="checkbox"/>	Pass			
3.24a/ 3.24b	ac Mode 20 MHz MCS0 U-NII-2A-Ch 64 (5320 MHz)	1	1	<input checked="" type="checkbox"/>	<input type="checkbox"/>	<input type="checkbox"/>	Pass			
3.25a/ 3.25b	ac Mode 20 MHz MCS0 U-NII-2C-Ch 100(5500 MHz)	1	1	<input checked="" type="checkbox"/>	<input type="checkbox"/>	<input type="checkbox"/>	Pass			
3.26a/ 3.26b	ac Mode 20 MHz MCS0 U-NII-3-Ch 149 (5745 MHz)	1	1	<input checked="" type="checkbox"/>	<input type="checkbox"/>	<input type="checkbox"/>	Pass			

Radiated Field Strength Emissions – 30 MHz to 1 GHz							
Temperature :+21 °C		Technology: WLAN 5 GHz 802.11a/n			TX-Fixed Channel (Modulated)		
3.06a/ 3.06b	n Mode 40 MHz MCS1 U-NII-2C-Ch 46 (5230 MHz)	1	1	<input checked="" type="checkbox"/>	<input type="checkbox"/>	<input type="checkbox"/>	Pass
3.07a/ 3.07b	n Mode 40 MHz MCS3 U-NII-3-Ch 62 (5310 MHz)	1	1	<input checked="" type="checkbox"/>	<input type="checkbox"/>	<input type="checkbox"/>	Pass
3.08a/ 3.08b	n Mode 40 MHz MCS1 U-NII-1-Ch 102 (5510MHz)	1	1	<input checked="" type="checkbox"/>	<input type="checkbox"/>	<input type="checkbox"/>	Pass
3.09a/ 3.09b	n Mode 40 MHz MCS5 U-NII-2A-Ch 151 (5755 MHz)	1	1	<input checked="" type="checkbox"/>	<input type="checkbox"/>	<input type="checkbox"/>	Pass
3.18a/ 3.18b	ac Mode 40 MHz MCS6 U-NII-2C-Ch 46 (5230 MHz)	1	1	<input checked="" type="checkbox"/>	<input type="checkbox"/>	<input type="checkbox"/>	Pass
3.19a/ 3.19b	ac Mode 40 MHz MCS6 U-NII-3-Ch 62 (5310 MHz)	1	1	<input checked="" type="checkbox"/>	<input type="checkbox"/>	<input type="checkbox"/>	Pass
3.20a/ 3.20b	ac Mode 40 MHz MCS6 U-NII-1-Ch 134 (5670MHz)	1	1	<input checked="" type="checkbox"/>	<input type="checkbox"/>	<input type="checkbox"/>	Pass
3.22a/ 3.22b	ac Mode 40 MHz MCS6 U-NII-2A-Ch 159 (5795 MHz)	1	1	<input checked="" type="checkbox"/>	<input type="checkbox"/>	<input type="checkbox"/>	Pass
3.01a/ 3.01b	ac Mode 80 MHz MCS0 U-NII-2C-Ch 42(5210 MHz)	1	1	<input checked="" type="checkbox"/>	<input type="checkbox"/>	<input type="checkbox"/>	Pass
3.02a/ 3.02b	ac Mode 80 MHz MCS0 U-NII-3-Ch 58 (5290 MHz)	1	1	<input checked="" type="checkbox"/>	<input type="checkbox"/>	<input type="checkbox"/>	Pass
3.03a/ 3.03b	ac Mode 80 MHz MCS0 U-NII-2C-Ch 106(5530 MHz)	1	1	<input checked="" type="checkbox"/>	<input type="checkbox"/>	<input type="checkbox"/>	Pass
3.04a/ 3.04b	ac Mode 80 MHz MCS0 U-NII-3-Ch 122 (5610 MHz)	1	1	<input checked="" type="checkbox"/>	<input type="checkbox"/>	<input type="checkbox"/>	Pass
3.05a/ 3.05b	ac Mode 80 MHz MCS0 U-NII-3-Ch 155 (5775 MHz)	1	1	<input checked="" type="checkbox"/>	<input type="checkbox"/>	<input type="checkbox"/>	Pass
Remark 1: See diagrams in separate annex TR17-1-00659T60a-A1							

5.7. General Limit - Radiated emissions, above 1 GHz

5.7.1. Test location and equipment FAR

test site	<input type="checkbox"/> 441 EMI SAR	<input type="checkbox"/> 348 EMI cond.	<input checked="" type="checkbox"/> 443 EMI FAR	<input type="checkbox"/> 347 Radio.lab.	<input type="checkbox"/> 337 OATS	<input type="checkbox"/>
spectr. analys.	<input type="checkbox"/> 584 FSU	<input type="checkbox"/> 120 FSEM	<input type="checkbox"/> 264 FSEK	<input checked="" type="checkbox"/> 489 ESU 40	<input type="checkbox"/>	<input type="checkbox"/>
antenna meas	<input type="checkbox"/> 574 BTA-L	<input type="checkbox"/> 289 CBL 6141	<input type="checkbox"/> 608 HL 562	<input checked="" type="checkbox"/> 549 HL025	<input checked="" type="checkbox"/> 302 BBHA9170	<input type="checkbox"/> 477 GPS
antenna meas	<input type="checkbox"/> 123 HUF-Z2	<input type="checkbox"/> 132 HUF-Z3	<input type="checkbox"/> 030 HFH-Z2	<input type="checkbox"/> 376 BBHA9120E		
antenna subst	<input type="checkbox"/> 071 HUF-Z2	<input type="checkbox"/> 020 EMCO3115	<input type="checkbox"/> 063 LP 3146	<input type="checkbox"/> 303 BBHA9170	<input type="checkbox"/>	<input type="checkbox"/>
multimeter	<input type="checkbox"/> 341 Fluke 112	<input type="checkbox"/>	<input type="checkbox"/>	<input type="checkbox"/>	<input type="checkbox"/>	<input type="checkbox"/>
signaling	<input type="checkbox"/> 392 MT8820A	<input type="checkbox"/> 371 CBT32	<input type="checkbox"/> 547 CMU	<input type="checkbox"/> 594 CMW		
DCpower	<input type="checkbox"/> 611 E3632A	<input checked="" type="checkbox"/> 087 EA3013	<input type="checkbox"/> 354 NGPE 40	<input type="checkbox"/> 349 car battery	<input type="checkbox"/> 350 Car battery	<input type="checkbox"/>
Supply voltage	<input type="checkbox"/> 230 V 50 Hz via public mains		<input checked="" type="checkbox"/> 15V DC			

5.7.2. Requirements/Limits

FCC	<input type="checkbox"/> Part 15 Subpart B, §15.109 class B <input checked="" type="checkbox"/> Part 15 Subpart C, §15.209 for frequencies defined in §15.205 <input checked="" type="checkbox"/> Part 15 Subpart C, §15.407(b)(1)(2)(3)(4)(5)(6)(7)(8)			
ANSI	<input type="checkbox"/> C63.4-2014 <input checked="" type="checkbox"/> C63.10-2013			
Frequency [MHz]	Limits			
	AV [µV/m]	AV [dBµV/m]	Peak [µV/m]	Peak [dBµV/m] or [dBm/MHz]
above 1 GHz for frequencies as defined in §15.205	500	54.0	5000	74.0 dBµV/m
§15.407(b)(1)(2)(3)(4)	--	--	--	(b)(1): 5.15-5.25GHz: -27dBm eirp (b)(2): 5.25-5.35GHz: -27dBm eirp (b)(3): 5.47-5.725 GHz: -27dBm eirp (b)(4): 5.725-5.85GHz: Spectrum mask

5.7.3. Test condition and measurement test set-up

Signal link to test system (if used):	<input type="checkbox"/> air link	<input type="checkbox"/> cable connection	<input checked="" type="checkbox"/> none
EUT-grounding	<input checked="" type="checkbox"/> none	<input type="checkbox"/> with power supply	<input type="checkbox"/> additional connection
Equipment set up	<input checked="" type="checkbox"/> table top 1.5m height		<input type="checkbox"/> floor standing
Climatic conditions	Temperature: (22±3°C)		Rel. humidity: (40±20)%
Spectrum-Analyzer settings	Scan frequency range: <input checked="" type="checkbox"/> 1 – 18 GHz <input type="checkbox"/> 18 – 25 GHz <input checked="" type="checkbox"/> 18 – 40 GHz <input type="checkbox"/> other: <input checked="" type="checkbox"/> 6 dB EMI-Receiver Mode <input type="checkbox"/> 3 dB Spectrum analyser Mode Peak and Average 1 MHz / 3 MHz Mode: Repetitive-Scan, max-hold Scan step: 400 kHz Sweep-Time: Coupled – calibrated display if CW signal otherwise adapted to EUT’s individual duty-cycle		
General measurement procedures	Please see chapter “Test system set-up for radiated electric field measurements above 1 GHz”		

5.7.4. Radiated Field Strength Emissions – 1 GHz to 7 GHz Results

Radiated Field Strength Emissions – 1 GHz to 7 GHz							
Temperature :+21 °C		Technology: WLAN 5 GHz 802.11a/n		TX-Fixed Channel (Modulated)			
Diagram No. (Remark 1)	Test Settings Mode B.W. Data Rate Channel	Set-up no.	OP-mode no.	Used detector			Verdict
				PK	AV	QP	
4.51	11ac 80MHz VHT_SS1MCS0 42	1	1	<input checked="" type="checkbox"/>	<input checked="" type="checkbox"/>	<input type="checkbox"/>	Pass
4.52	11ac 80MHz VHT_SS1MCS0 58	1	1	<input checked="" type="checkbox"/>	<input checked="" type="checkbox"/>	<input type="checkbox"/>	Pass
4.53	11ac 80MHz VHT_SS1MCS0 106	1	1	<input checked="" type="checkbox"/>	<input checked="" type="checkbox"/>	<input type="checkbox"/>	Pass
4.54	11ac 80MHz VHT_SS1MCS0 122,	1	1	<input checked="" type="checkbox"/>	<input checked="" type="checkbox"/>	<input type="checkbox"/>	Pass
4.55	11ac 80MHz VHT_SS1MCS0 155	1	1	<input checked="" type="checkbox"/>	<input checked="" type="checkbox"/>	<input type="checkbox"/>	Pass
4.56	11ac 40MHz VHT_SS1_MCS6 46	1	1	<input checked="" type="checkbox"/>	<input checked="" type="checkbox"/>	<input type="checkbox"/>	Pass
4.57	11ac 40MHz VHT_SS1_MCS6 62	1	1	<input checked="" type="checkbox"/>	<input checked="" type="checkbox"/>	<input type="checkbox"/>	Pass
4.58	11ac 40MHz VHT_SS1_MCS6 134	1	1	<input checked="" type="checkbox"/>	<input checked="" type="checkbox"/>	<input type="checkbox"/>	Pass
4.59	11ac 40MHz VHT_SS1_MCS6 159	1	1	<input checked="" type="checkbox"/>	<input checked="" type="checkbox"/>	<input type="checkbox"/>	Pass
4.60	11a 20MHz 6 Mbit 48	1	1	<input checked="" type="checkbox"/>	<input checked="" type="checkbox"/>	<input type="checkbox"/>	Pass
4.61	11a 20MHz 6 Mbit 64	1	1	<input checked="" type="checkbox"/>	<input checked="" type="checkbox"/>	<input type="checkbox"/>	Pass
4.62	11a 20MHz 6 Mbit 140	1	1	<input checked="" type="checkbox"/>	<input checked="" type="checkbox"/>	<input type="checkbox"/>	Pass
4.63	11a 20MHz 6 Mbit 165	1	1	<input checked="" type="checkbox"/>	<input checked="" type="checkbox"/>	<input type="checkbox"/>	Pass
4.64	11n 20MHz MCS 0 48	1	1	<input checked="" type="checkbox"/>	<input checked="" type="checkbox"/>	<input type="checkbox"/>	Pass
4.65	11n 20MHz MCS 0 64	1	1	<input checked="" type="checkbox"/>	<input checked="" type="checkbox"/>	<input type="checkbox"/>	Pass
4.66	11n 20MHz MCS 0 140	1	1	<input checked="" type="checkbox"/>	<input checked="" type="checkbox"/>	<input type="checkbox"/>	Pass
4.67	11n 20MHz MCS 0 165	1	1	<input checked="" type="checkbox"/>	<input checked="" type="checkbox"/>	<input type="checkbox"/>	Pass

Radiated Field Strength Emissions – 1 GHz to 7 GHz							
Temperature :+21 °C		Technology: WLAN 5 GHz 802.11a/n		TX-Fixed Channel (Modulated)			
Diagram No. (Remark 1)	Test Settings Mode B.W. Data Rate Channel	Set-up no.	OP-mode no.	Used detector			Verdict
4.68	11ac 20MHz VHT_SS1_MCS0 48	1	1	<input checked="" type="checkbox"/>	<input checked="" type="checkbox"/>	<input type="checkbox"/>	Pass
4.69	11ac 20MHz VHT_SS1_MCS0 64	1	1	<input checked="" type="checkbox"/>	<input checked="" type="checkbox"/>	<input type="checkbox"/>	Pass
4.70	11ac 20MHz VHT_SS1_MCS0 100	1	1	<input checked="" type="checkbox"/>	<input checked="" type="checkbox"/>	<input type="checkbox"/>	Pass
4.71	11ac 20MHz VHT_SS1_MCS0 149	1	1	<input checked="" type="checkbox"/>	<input checked="" type="checkbox"/>	<input type="checkbox"/>	Pass
4.72	11n 40MHz MCS1 46	1	1	<input checked="" type="checkbox"/>	<input checked="" type="checkbox"/>	<input type="checkbox"/>	Pass
4.73	11n 40MHz MCS3 62	1	1	<input checked="" type="checkbox"/>	<input checked="" type="checkbox"/>	<input type="checkbox"/>	Pass
4.74	11n 40MHz MCS1 102	1	1	<input checked="" type="checkbox"/>	<input checked="" type="checkbox"/>	<input type="checkbox"/>	Pass
4.75	11n 40MHz MCS5 151	1	1	<input checked="" type="checkbox"/>	<input checked="" type="checkbox"/>	<input type="checkbox"/>	Pass
Remark 1: See diagrams in separate annex TR17-1-00659T60a-A1 Remark 2: Please refer Chapter 5.1 for applicable Duty-Cycle Correction Factor							

5.7.5. Radiated Field Strength Emissions – 7 GHz to 18 GHz Results

Radiated Field Strength Emissions – 7 GHz to 18 GHz							
Temperature :+21 °C		Technology: WLAN 5 GHz 802.11a/n		TX-Fixed Channel (Modulated)			
Diagram No. (Remark 1)	Test Settings Mode B.W. Data Rate Channel	Set-up no.	OP-mode no.	Used detector			Verdict
				PK	AV	QP	
4.51	11ac 80MHz VHT_SS1MCS0 42	1	1	<input checked="" type="checkbox"/>	<input checked="" type="checkbox"/>	<input type="checkbox"/>	Pass
4.52	11ac 80MHz VHT_SS1MCS0 58	1	1	<input checked="" type="checkbox"/>	<input checked="" type="checkbox"/>	<input type="checkbox"/>	Pass
4.53	11ac 80MHz VHT_SS1MCS0 106	1	1	<input checked="" type="checkbox"/>	<input checked="" type="checkbox"/>	<input type="checkbox"/>	Pass
4.54	11ac 80MHz VHT_SS1MCS0 122,	1	1	<input checked="" type="checkbox"/>	<input checked="" type="checkbox"/>	<input type="checkbox"/>	Pass
4.55	11ac 80MHz VHT_SS1MCS0 155	1	1	<input checked="" type="checkbox"/>	<input checked="" type="checkbox"/>	<input type="checkbox"/>	Pass
4.56	11ac 40MHz VHT_SS1_MCS6 46	1	1	<input checked="" type="checkbox"/>	<input checked="" type="checkbox"/>	<input type="checkbox"/>	Pass
4.57	11ac 40MHz VHT_SS1_MCS6 62	1	1	<input checked="" type="checkbox"/>	<input checked="" type="checkbox"/>	<input type="checkbox"/>	Pass
4.58	11ac 40MHz VHT_SS1_MCS6 134	1	1	<input checked="" type="checkbox"/>	<input checked="" type="checkbox"/>	<input type="checkbox"/>	Pass
4.59	11ac 40MHz VHT_SS1_MCS6 159	1	1	<input checked="" type="checkbox"/>	<input checked="" type="checkbox"/>	<input type="checkbox"/>	Pass
4.60	11a 20MHz 6 Mbit 48	1	1	<input checked="" type="checkbox"/>	<input checked="" type="checkbox"/>	<input type="checkbox"/>	Pass
4.61	11a 20MHz 6 Mbit 64	1	1	<input checked="" type="checkbox"/>	<input checked="" type="checkbox"/>	<input type="checkbox"/>	Pass
4.62	11a 20MHz 6 Mbit 140	1	1	<input checked="" type="checkbox"/>	<input checked="" type="checkbox"/>	<input type="checkbox"/>	Pass
4.63	11a 20MHz 6 Mbit 165	1	1	<input checked="" type="checkbox"/>	<input checked="" type="checkbox"/>	<input type="checkbox"/>	Pass
4.64	11n 20MHz MCS 0 48	1	1	<input checked="" type="checkbox"/>	<input checked="" type="checkbox"/>	<input type="checkbox"/>	Pass
4.65	11n 20MHz MCS 0 64	1	1	<input checked="" type="checkbox"/>	<input checked="" type="checkbox"/>	<input type="checkbox"/>	Pass
4.66	11n 20MHz MCS 0 140	1	1	<input checked="" type="checkbox"/>	<input checked="" type="checkbox"/>	<input type="checkbox"/>	Pass
4.67	11n 20MHz MCS 0 165	1	1	<input checked="" type="checkbox"/>	<input checked="" type="checkbox"/>	<input type="checkbox"/>	Pass

Radiated Field Strength Emissions – 7 GHz to 18 GHz							
Temperature :+21 °C		Technology: WLAN 5 GHz 802.11a/n		TX-Fixed Channel (Modulated)			
Diagram No. (Remark 1)	Test Settings Mode B.W. Data Rate Channel	Set-up no.	OP-mode no.	Used detector			Verdict
				PK	AV	QP	
4.68	11ac 20MHz VHT_SS1_MCS0 48	1	1	<input checked="" type="checkbox"/>	<input checked="" type="checkbox"/>	<input type="checkbox"/>	Pass
4.69	11ac 20MHz VHT_SS1_MCS0 64	1	1	<input checked="" type="checkbox"/>	<input checked="" type="checkbox"/>	<input type="checkbox"/>	Pass
4.70	11ac 20MHz VHT_SS1_MCS0 100	1	1	<input checked="" type="checkbox"/>	<input checked="" type="checkbox"/>	<input type="checkbox"/>	Pass
4.71	11ac 20MHz VHT_SS1_MCS0 149	1	1	<input checked="" type="checkbox"/>	<input checked="" type="checkbox"/>	<input type="checkbox"/>	Pass
4.72	11n 40MHz MCS1 46	1	1	<input checked="" type="checkbox"/>	<input checked="" type="checkbox"/>	<input type="checkbox"/>	Pass
4.73	11n 40MHz MCS3 62	1	1	<input checked="" type="checkbox"/>	<input checked="" type="checkbox"/>	<input type="checkbox"/>	Pass
4.74	11n 40MHz MCS1 102	1	1	<input checked="" type="checkbox"/>	<input checked="" type="checkbox"/>	<input type="checkbox"/>	Pass
4.75	11n 40MHz MCS5 151	1	1	<input checked="" type="checkbox"/>	<input checked="" type="checkbox"/>	<input type="checkbox"/>	Pass
Remark 1: See diagrams in separate annex TR17-1-00659T60a-A1 Remark 2: Please refer Chapter 5.1 for applicable Duty-Cycle Correction Factor							

5.7.6. Radiated Field Strength Emissions – 18 GHz to 40 GHz Results

Radiated Field Strength Emissions – 18 GHz to 40 GHz							
Temperature :+21 °C		Technology: WLAN 5 GHz 802.11a/n		TX-Fixed Channel (Modulated)			
Diagram No. (Remark 1)	Test Settings Mode B.W. Data Rate Channel	Set-up no.	OP-mode no.	Used detector			Verdict
				PK	AV	QP	
4.51	11ac 80MHz VHT_SS1MCS0 42	1	1	<input checked="" type="checkbox"/>	<input checked="" type="checkbox"/>	<input type="checkbox"/>	Pass
4.52	11ac 80MHz VHT_SS1MCS0 58	1	1	<input checked="" type="checkbox"/>	<input checked="" type="checkbox"/>	<input type="checkbox"/>	Pass
4.53	11ac 80MHz VHT_SS1MCS0 106	1	1	<input checked="" type="checkbox"/>	<input checked="" type="checkbox"/>	<input type="checkbox"/>	Pass
4.54	11ac 80MHz VHT_SS1MCS0 122,	1	1	<input checked="" type="checkbox"/>	<input checked="" type="checkbox"/>	<input type="checkbox"/>	Pass
4.55	11ac 80MHz VHT_SS1MCS0 155	1	1	<input checked="" type="checkbox"/>	<input checked="" type="checkbox"/>	<input type="checkbox"/>	Pass
4.56	11ac 40MHz VHT_SS1_MCS6 46	1	1	<input checked="" type="checkbox"/>	<input checked="" type="checkbox"/>	<input type="checkbox"/>	Pass
4.57	11ac 40MHz VHT_SS1_MCS6 62	1	1	<input checked="" type="checkbox"/>	<input checked="" type="checkbox"/>	<input type="checkbox"/>	Pass
4.58	11ac 40MHz VHT_SS1_MCS6 134	1	1	<input checked="" type="checkbox"/>	<input checked="" type="checkbox"/>	<input type="checkbox"/>	Pass
4.59	11ac 40MHz VHT_SS1_MCS6 159	1	1	<input checked="" type="checkbox"/>	<input checked="" type="checkbox"/>	<input type="checkbox"/>	Pass
4.60	11a 20MHz 6 Mbit 48	1	1	<input checked="" type="checkbox"/>	<input checked="" type="checkbox"/>	<input type="checkbox"/>	Pass
4.61	11a 20MHz 6 Mbit 64	1	1	<input checked="" type="checkbox"/>	<input checked="" type="checkbox"/>	<input type="checkbox"/>	Pass
4.62	11a 20MHz 6 Mbit 140	1	1	<input checked="" type="checkbox"/>	<input checked="" type="checkbox"/>	<input type="checkbox"/>	Pass
4.63	11a 20MHz 6 Mbit 165	1	1	<input checked="" type="checkbox"/>	<input checked="" type="checkbox"/>	<input type="checkbox"/>	Pass
4.64	11n 20MHz MCS 0 48	1	1	<input checked="" type="checkbox"/>	<input checked="" type="checkbox"/>	<input type="checkbox"/>	Pass
4.65	11n 20MHz MCS 0 64	1	1	<input checked="" type="checkbox"/>	<input checked="" type="checkbox"/>	<input type="checkbox"/>	Pass
4.66	11n 20MHz MCS 0 140	1	1	<input checked="" type="checkbox"/>	<input checked="" type="checkbox"/>	<input type="checkbox"/>	Pass
4.67	11n 20MHz MCS 0 165	1	1	<input checked="" type="checkbox"/>	<input checked="" type="checkbox"/>	<input type="checkbox"/>	Pass

Radiated Field Strength Emissions – 18 GHz to 40 GHz							
Temperature :+21 °C		Technology: WLAN 5 GHz 802.11a/n		TX-Fixed Channel (Modulated)			
Diagram No. (Remark 1)	Test Settings Mode B.W. Data Rate Channel	Set-up no.	OP-mode no.	Used detector			Verdict
				PK	AV	QP	
4.68	11ac 20MHz VHT_SS1_MCS0 48	1	1	<input checked="" type="checkbox"/>	<input checked="" type="checkbox"/>	<input type="checkbox"/>	Pass
4.69	11ac 20MHz VHT_SS1_MCS0 64	1	1	<input checked="" type="checkbox"/>	<input checked="" type="checkbox"/>	<input type="checkbox"/>	Pass
4.70	11ac 20MHz VHT_SS1_MCS0 100	1	1	<input checked="" type="checkbox"/>	<input checked="" type="checkbox"/>	<input type="checkbox"/>	Pass
4.71	11ac 20MHz VHT_SS1_MCS0 149	1	1	<input checked="" type="checkbox"/>	<input checked="" type="checkbox"/>	<input type="checkbox"/>	Pass
4.72	11n 40MHz MCS1 46	1	1	<input checked="" type="checkbox"/>	<input checked="" type="checkbox"/>	<input type="checkbox"/>	Pass
4.73	11n 40MHz MCS3 62	1	1	<input checked="" type="checkbox"/>	<input checked="" type="checkbox"/>	<input type="checkbox"/>	Pass
4.74	11n 40MHz MCS1 102	1	1	<input checked="" type="checkbox"/>	<input checked="" type="checkbox"/>	<input type="checkbox"/>	Pass
4.75	11n 40MHz MCS5 151	1	1	<input checked="" type="checkbox"/>	<input checked="" type="checkbox"/>	<input type="checkbox"/>	Pass
Remark 1: See diagrams in separate annex TR17-1-00659T60a-A1 Remark 2: Please refer Chapter 5.1 for applicable Duty-Cycle Correction Factor							

5.8. RF-Parameter - Radiated Band-Edge compliance measurements

5.8.1. Test location and equipment FAR

test site	<input type="checkbox"/> 441 EMI SAR	<input type="checkbox"/> 348 EMI cond.	<input checked="" type="checkbox"/> 443 EMI FAR	<input type="checkbox"/> 347 Radio.lab.	<input type="checkbox"/> 337 OATS	<input type="checkbox"/>
spectr. analys.	<input type="checkbox"/> 584 FSU	<input type="checkbox"/> 120 FSEM	<input type="checkbox"/> 264 FSEK	<input checked="" type="checkbox"/> 489 ESU 40	<input type="checkbox"/>	<input type="checkbox"/>
antenna meas	<input type="checkbox"/> 574 BTA-L	<input type="checkbox"/> 289 CBL 6141	<input type="checkbox"/> 608 HL 562	<input checked="" type="checkbox"/> 549 HL025	<input type="checkbox"/> 302 BBHA9170	<input type="checkbox"/> 477 GPS
antenna meas	<input type="checkbox"/> 123 HUF-Z2	<input type="checkbox"/> 132 HUF-Z3	<input type="checkbox"/> 030 HFH-Z2	<input type="checkbox"/>	<input type="checkbox"/>	<input type="checkbox"/>
antenna subst	<input type="checkbox"/> 071 HUF-Z2	<input type="checkbox"/> 020 EMCO3115	<input type="checkbox"/> 063 LP 3146	<input type="checkbox"/> 303 BBHA9170	<input type="checkbox"/>	<input type="checkbox"/>
multimeter	<input type="checkbox"/> 341 Fluke 112	<input type="checkbox"/>	<input type="checkbox"/>	<input type="checkbox"/>	<input type="checkbox"/>	<input type="checkbox"/>
signaling	<input type="checkbox"/> 392 MT8820A	<input type="checkbox"/> 371 CBT32	<input type="checkbox"/> 547 CMU	<input type="checkbox"/> 594 CMW	<input type="checkbox"/>	<input type="checkbox"/>
DC power	<input type="checkbox"/> 611 E3632A	<input type="checkbox"/> 087 EA3013	<input type="checkbox"/> 354 NGPE 40	<input type="checkbox"/> 349 car battery	<input type="checkbox"/> 350 Car battery	<input type="checkbox"/>
Supply voltage	<input type="checkbox"/> 230 V 50 Hz via public mains		<input checked="" type="checkbox"/> 4.20 V DC (fully charged internal battery)			

5.8.2. Requirements/Limits

FCC	<input type="checkbox"/> Part 15 Subpart B, §15.109 class B <input checked="" type="checkbox"/> Part 15 Subpart C, §15.209 for frequencies defined in §15.205 <input checked="" type="checkbox"/> Part 15 Subpart C, §15.407(b)(1)(2)(3)(4)(5)(6)(7)(8)			
ANSI	<input type="checkbox"/> C63.4-2014 <input checked="" type="checkbox"/> C63.10-2013 Chapter 6.10.6			
Frequency [MHz]	Limits			
	AV [µV/m]	AV [dBµV/m]	Peak [µV/m]	Peak [dBµV/m] or [dBm/MHz]
above 1 GHz for frequencies as defined in §15.205	500	54.0	5000	74.0 dBµV/m
§15.407(b)(1)(2)(3)(4)	--	--	--	(b)(1): 5.15-5.25GHz: -27dBm eirp (b)(2): 5.25-5.35GHz: -27dBm eirp (b)(3): 5.47-5.725 GHz: -27dBm eirp (b)(4): 5.725-5.85GHz: Spectrum mask

5.8.3. Test condition and measurement test set-up

Signal link to test system (if used):	<input type="checkbox"/> air link	<input type="checkbox"/> cable connection	<input checked="" type="checkbox"/> none
EUT-grounding	<input checked="" type="checkbox"/> none	<input type="checkbox"/> with power supply	<input type="checkbox"/> additional connection
Equipment set up	<input checked="" type="checkbox"/> table top 1.5m height		<input type="checkbox"/> floor standing
Climatic conditions	Temperature: (22±3°C)		Rel. humidity: (40±20)%
Spectrum-Analyzer settings	Scan frequency range: <input type="checkbox"/> 1 – 18 GHz <input type="checkbox"/> 18 – 25 GHz <input type="checkbox"/> 18 – 40 GHz <input checked="" type="checkbox"/> other: see diagrams <input type="checkbox"/> 6 dB EMI-Receiver Mode <input checked="" type="checkbox"/> 3 dB Spectrum analyzer Mode Peak and Average Left band-edge: 100kHz/300kHz Right band-edge: 1 MHz / 3 MHz Repetitive-Scan, max-hold Mode: Scan step 40kHz or 400 kHz Coupled – calibrated display if CW signal otherwise adapted to EUT’s individual duty-cycle		
General measurement procedures	Please see chapter “Test system set-up for radiated electric field measurements above 1 GHz” for general measurements procedures in anechoic chamber.		

5.8.4. Measurement Method

For uncritical results where a measurement resolution bandwidth of 1MHz can clearly show the compliance without influencing the results, a field strength measurement was performed to show compliance.

For critical results a Marker-Delta marker method was used for showing compliance to restricted bands. The method is according ANSI C63.10:2013, Chapter 6.10.6 “Marker-Delta method”., The method consists of three independent steps:

- 1. Step:** Prior to the measurement the fundamental radiated In-Band field strength was performed. The determined value is used as reference value.
- 2. Step:** Second step consist of finding the relative attenuation between the fundamental emission and the maximum local out-of-band emission (within 2 MHz range around the band edge either on the band-edge directly or some modulation product if the level is greater than that on the band-edge) when measured with lower resolution bandwidth.
- 3. Step:** The delta value recorded in step 2 will be subtracted from value recorded in step 1, thus giving the required field strength at the band-edge. This value must fulfil the requirements for radiated spurious emissions in restricted bands in FCC §15.205 with the general limits of FCC §15.209.

5.8.5. EUT settings

The EUT was instructed to send with maximum power (if adjustable) according to applicants instructions.

5.8.6. Results for non-restricted bands near-by

5.8.6.1. Non-restricted bands near-by - limits according to FCC §15.407 limits

Technology:		WLAN 5 GHz 802.11a Mode B.W. 20 MHz							
Set-up No.:		1							
Op. Mode:		1/2							
Diagram no.	Channel no.	Restricted band ?	Fundamental Value [dBuV/m]		Peak-Value at Band-Edge [dBuV/m]	Limit: [dBuV/m @3m]	Margin: [dB]	Verdict	Remark: Mode-B.W.-Data Rate-Power
			Peak -Value	Average -Value + Duty Cycle Correction					
9.02	5240	NO	103,00	98,27	53,73	68,20	14,47	PASS	a-Mode-20 MHz-6Mbit+14dBm
9.03	5260	NO	94,60	not measured	62,25	68,20	5,95	PASS	a-Mode-20 MHz-6Mbit+10dBm
9.05	5500	NO	102,83	98,11	55,30	68,20	12,90	PASS	a-Mode-20 MHz-6Mbit+10dBm
9.33b	5700	NO	99,77	95,43	52,66	68,20	15,54	PASS	a-Mode-20 MHz-6Mbit+10dBm
9.34a	5745	NO	100,44	92,25	58,97	68,20	9,23	PASS	a-Mode-20 MHz-6Mbit+10dBm
9.34b	5825	NO	99,73	95,03		68,20	68,20	PASS	a-Mode-20 MHz-6Mbit+10dBm

Remark 1: For further details please refer → Annex 1: Test results - CETECOM_TR17-1-0065901T60-A1

Remark 2: Measurements results are only valid and compliant with power setting: +10 dBm

Remark 3: Please refer Chapter 5.1 for applicable Duty-Cycle Correction Factor

Technology:	WLAN 5 GHz 802.11n Mode B.W. 20 MHz								
Set-up No.:	1								
Op. Mode:	1/2								

Diagram no.	Channel no.	Restricted band ?	Fundamental Value [dBuV/m]		Peak-Value at Band-Edge [dBuV/m]	Limit: [dBuV/m @3m]	Margin: [dB]	Verdict	Remark: Mode-B.W.-Data Rate-Power
			Peak -Value	Average -Value + Duty Cycle Correction					
9.10	5240	NO	101,61	97,95	43,10	68,20	25,10	PASS	n-Mode-20 MHz-MCS0+10dBm
9.11b	5260	NO	93,94	Not measured	65,18	68,20	3,02	PASS	n-Mode-20 MHz-MCS0+10dBm
9.13	5500	NO	103,21	94,96	55,90	68,20	12,30	PASS	n-Mode-20 MHz-MCS0+10dBm
9.14	5700	NO	100,48	96,41	53,30	68,20	14,90	PASS	n-Mode-20 MHz-MCS0+10dBm
9.15	5745	NO	99,03	94,86	65,00	122,20	57,20	PASS	n-Mode-20 MHz-MCS0+10dBm
9.16	5825	NO	99,37	95,71	55,03	122,20	67,17	PASS	n-Mode-20 MHz-MCS0+10dBm

Remark 1: For further details please refer → Annex 1: Test results - CETECOM_TR17-1-0065901T60-A1
 Remark 2: Measurements results are only valid and compliant with power setting: +10 dBm
 Remark 3: Please refer Chapter 5.1 for applicable Duty-Cycle Correction Factor

Technology:	WLAN 5 GHz 802.11ac Mode B.W. 20 MHz								
Set-up No.:	1								
Op. Mode:	1/2								

Diagram no.	Channel no.	Restricted band ?	Fundamental Value [dBuV/m]		Peak-Value at Band-Edge [dBuV/m]	Limit: [dBuV/m @3m]	Margin: [dB]	Verdict	Remark: Mode-B.W.-Data Rate-Power
			Peak -Value	Average -Value + Duty Cycle Correction					
9.18	5240	NO	111,26	102,26	53,30	68,20	14,90	PASS	a-Mode-20 MHz-MCS0+6dBm
9.19b	5260	NO	89,32	not measured	58,91	68,20	9,29	PASS	a-Mode-20 MHz-MCS0+6dBm
9.21	5500	NO	98,35	90,14	53,30	68,20	14,90	PASS	a-Mode-20 MHz-MCS0+6dBm
9.22	5700	NO	96,00	86,86	53,34	68,20	14,86	PASS	a-Mode-20 MHz-MCS0+6dBm
9.23	5745	NO	95,24	87,51	55,90	122,20	66,30	PASS	a-Mode-20 MHz-MCS0+6dBm
9.24	5825	NO	94,82	87,26	55,04	122,20	67,16	PASS	a-Mode-20 MHz-MCS0+6dBm

Remark 1: For further details please refer → Annex 1: Test results - CETECOM_TR17-1-0065901T60-A1
 Remark 2: Measurements results are only valid and compliant with power setting: +6 dBm
 Remark 3: Please refer Chapter 5.1 for applicable Duty-Cycle Correction Factor

Technology:	WLAN 5 GHz 802.11n Mode B.W. 40 MHz								
Set-up No.:	1								
Op. Mode:	1/2								

Diagram no.	Channel no.	Restricted band ?	Fundamental Value [dBuV/m]		Peak-Value at Band-Edge [dBuV/m]	Limit: [dBuV/m @3m]	Margin: [dB]	Verdict	Remark: Mode-B.W.-Data Rate-Power
			Peak -Value	Average -Value + Duty Cycle Correction					
9.26	5230	NO	96,20	87,24	52,52	68,20	15,68	PASS	n-Mode-40 MHz-MCS1+10dBm
9.27b	5270	NO	85,71	not measured	57,20	68,20	11,00	PASS	n-Mode-40 MHz-MCS3+10dBm
9.29	5510	NO	98,83	89,42	58,50	68,20	9,70	PASS	n-Mode-40 MHz-MCS1+10dBm
9.30	5670	NO	97,83	88,51	52,00	68,20	16,20	PASS	n-Mode-40 MHz-MCS1+10dBm
9.31	5755	NO	96,85	87,21	59,03	122,20	63,17	PASS	n-Mode-40 MHz-MCS5+10dBm
9.32	5795	NO	95,54	84,86	55,65	122,20	66,55	PASS	n-Mode-40 MHz-MCS5+10dBm

Remark 1: For further details please refer → Annex 1: Test results - CETECOM_TR17-1-0065901T60-A1
 Remark 2: Measurements results are only valid and compliant with power setting: +10 dBm
 Remark 3: Please refer Chapter 5.1 for applicable Duty-Cycle Correction Factor

Technology:	WLAN 5 GHz 802.11ac Mode B.W. 40 MHz								
Set-up No.:	1								
Op. Mode:	1/2								

Diagram no.	Channel no.	Restricted band ?	Fundamental Value [dBuV/m]		Peak-Value at Band-Edge [dBuV/m]	Limit: [dBuV/m @3m]	Margin: [dB]	Verdict	Remark: Mode-B.W.-Data Rate-Power
			Peak -Value	Average -Value + Duty Cycle Correction					
9.34	5230	NO	92,83	83,37	51,74	68,20	16,46	PASS	ac-Mode-40 MHz-MCS0+6dBm
9.35	5270	NO	79,94	Not measured	62,45	68,20	5,75	PASS	ac-Mode-40 MHz-MCS0+6dBm
9.37	5510	NO	94,71	84,02	51,06	68,20	17,14	PASS	ac-Mode-40 MHz-MCS0+6dBm
9.38	5670	NO	92,32	83,89	53,30	68,20	14,90	PASS	ac-Mode-40 MHz-MCS0+6dBm
9.39	5755	NO	92,89	83,91	54,60	122,20	67,60	PASS	ac-Mode-40 MHz-MCS0+6dBm
9.40	5795	NO	93,01	84,88	56,30	122,20	65,90	PASS	ac-Mode-40 MHz-MCS0+6dBm

Remark 1: For further details please refer → Annex 1: Test results - CETECOM_TR17-1-0065901T60-A1
 Remark 2: Measurements results are only valid and compliant with power setting: +6 dBm
 Remark 3: Please refer Chapter 5.1 for applicable Duty-Cycle Correction Factor

Technology:	WLAN 5 GHz 802.11ac Mode B.W. 80 MHz
Set-up No.:	1
Op. Mode:	1/2

Diagram no.	Channel no.	Restricted band ?	Fundamental Value [dBuV/m]		Peak-Value at Band-Edge [dBuV/m]	Limit: [dBuV/m @3m]	Margin: [dB]	Verdict	Remark: Mode-B.W.-Data Rate-Power
			Peak -Value	Average -Value + Duty Cycle Correction					
9.41a	5210	NO	91,83	82,84	57,51	68,20	10,69	PASS	n-Mode-80 MHz-MCS0+6dBm
9.42b	5290	NO	82,12	not measured	52,63	68,20	15,57	PASS	n-Mode-80 MHz-MCS0+6dBm
9.43	5530	NO	92,26	84,55	58,90	68,20	9,30	PASS	n-Mode-80 MHz-MCS0+6dBm
9.44	5610	NO	not measured	not measured	50,70	68,20	17,50	PASS	n-Mode-80 MHz-MCS0+6dBm
9.45a	5775	NO	81,39	87,71	55,72	122,20	66,48	PASS	n-Mode-80 MHz-MCS0+6dBm
9.45b	5775	NO	87,44	77,06	53,34	122,20	68,86	PASS	n-Mode-80 MHz-MCS0+6dBm

Remark 1: For further details please refer → Annex 1: Test results - CETECOM_TR17-1-0065901T60-A1
 Remark 2: Measurements results are only valid and compliant with power setting: +6 dBm
 Remark 3: Please refer Chapter 5.1 for applicable Duty-Cycle Correction Factor

5.8.6.2. Results for restricted bands near-by with limits accord. FCC §15.205 §15.209

Technology:		WLAN 5 GHz 802.11a Mode B.W. 20 MHz										
Set-up No.:		1										
Op. Mode:		1/2										
Diagram no.	Channel no.	Restricted band ?	Fundamental Value [dBuV/m]		Value at Band-Edge [dBuV/m]		Limits [dBuV/m]		Margin [dB]		Verdict	Remark: Mode-B.W.-Data Rate-Power
			Peak -Value	Average -Value + Duty Cycle Correction	Peak -Value	Average -Value + Duty Cycle Correction	Peak -Value	Average -Value	Peak	Average		
9.01	5180	YES	103,62	99,26	55,79	47,45	74,00	54,00	18,21	6,55	PASS	a-Mode-20 MHz-6Mbit+10dBm
9.04	5320	YES	103,03	98,24	54,80	48,32	74,00	54,00	19,21	5,68	PASS	a-Mode-20 MHz-6Mbit+10dBm

Remark 1: For further details please refer → Annex 1: Test results - CETECOM_TR17-1-0065901T60-A1
 Remark 2: Measurements results are only valid and compliant with power setting: +10 dBm
 Remark 3: Please refer Chapter 5.1 for applicable Duty-Cycle Correction Factor

Technology:		WLAN 5 GHz 802.11n Mode B.W. 20 MHz										
Set-up No.:		1										
Op. Mode:		1/2										
Diagram no.	Channel no.	Restricted band ?	Fundamental Value [dBuV/m]		Value at Band-Edge [dBuV/m]		Limits [dBuV/m]		Margin [dB]		Verdict	Remark: Mode-B.W.-Data Rate-Power
			Peak -Value	Average -Value + Duty Cycle Correction	Peak -Value	Average -Value + Duty Cycle Correction	Peak -Value	Average -Value	Peak	Average		
9.09	5180	YES	102,56	98,57	54,73	48,27	74,00	54,00	19,27	5,73	PASS	n-Mode-20 MHz-MCS0+10dBm
9.12	5320	YES	102,26	98,28	56,49	49,04	74,00	54,00	17,51	4,97	PASS	n-Mode-20 MHz-MCS0+10dBm

Remark 1: For further details please refer → Annex 1: Test results - CETECOM_TR17-1-0065901T60-A1
 Remark 2: Measurements results are only valid and compliant with power setting: +10 dBm
 Remark 3: Please refer Chapter 5.1 for applicable Duty-Cycle Correction Factor

Technology:		WLAN 5 GHz 802.11ac Mode B.W. 20 MHz										
Set-up No.:		1										
Op. Mode:		1/2										
Diagram no.	Channel no.	Restricted band ?	Fundamental Value [dBuV/m]		Value at Band-Edge [dBuV/m]		Limits [dBuV/m]		Margin [dB]		Verdict	Remark: Mode-B.W.-Data Rate-Power
			Peak -Value	Average -Value + Duty Cycle Correction	Peak -Value	Average -Value + Duty Cycle Correction	Peak -Value	Average -Value	Peak	Average		
9.17	5180	YES	96,95	93,95	53,05	42,77	74,00	54,00	20,95	11,23	PASS	a-Mode-20 MHz-MCS0+6dBm
9.20	5320	YES	104,84	100,98	58,50	49,73	74,00	54,00	15,50	4,27	PASS	a-Mode-20 MHz-MCS0+6dBm

Remark 1: For further details please refer → Annex 1: Test results - CETECOM_TR17-1-0065901T60-A1
 Remark 2: Measurements results are only valid and compliant with power setting: +6 dBm
 Remark 3: Please refer Chapter 5.1 for applicable Duty-Cycle Correction Factor

Technology:	WLAN 5 GHz 802.11n Mode B.W. 40 MHz										
Set-up No.:	1										
Op. Mode:	1/2										

Diagram no.	Channel no.	Restricted band ?	Fundamental Value [dBuV/m]		Value at Band-Edge [dBuV/m]		Limits [dBuV/m]		Margin [dB]		Verdict	Remark: Mode-B.W.-Data Rate-Power
			Peak -Value	Average -Value + Duty Cycle Correction	Peak -Value	Average -Value + Duty Cycle Correction	Peak -Value	Average -Value	Peak	Average		
9.25	5190	YES	90,03	77,21	62,40	45,53	74,00	54,00	11,60	8,47	PASS	n-Mode-40 MHz-MCS1+10dBm
9.28	5310	YES	95,74	87,29	56,80	46,93	74,00	54,00	17,20	7,07	PASS	n-Mode-40 MHz-MCS3+10dBm

Remark 1: For further details please refer → Annex 1: Test results - CETECOM_TR17-1-0065901T60-A1
 Remark 2: Measurements results are only valid and compliant with power setting: +10 dBm
 Remark 3: Please refer Chapter 5.1 for applicable Duty-Cycle Correction Factor

Technology:	WLAN 5 GHz 802.11ac Mode B.W. 40 MHz										
Set-up No.:	1										
Op. Mode:	1/2										

Diagram no.	Channel no.	Restricted band ?	Fundamental Value [dBuV/m]		Value at Band-Edge [dBuV/m]		Limits [dBuV/m]		Margin [dB]		Verdict	Remark: Mode-B.W.-Data Rate-Power
			Peak -Value	Average -Value + Duty Cycle Correction	Peak -Value	Average -Value + Duty Cycle Correction	Peak -Value	Average -Value	Peak	Average		
9.33	5190	YES	91,91	83,27	50,96	41,60	74,00	54,00	23,04	12,40	PASS	ac-Mode-40 MHz-MCS0+6dBm
9.36	5310	YES	95,65	83,73	54,60	42,90	74,00	54,00	19,40	11,10	PASS	ac-Mode-40 MHz-MCS0+6dBm

Remark 1: For further details please refer → Annex 1: Test results - CETECOM_TR17-1-0065901T60-A1
 Remark 2: Measurements results are only valid and compliant with power setting: +6 dBm
 Remark 3: Please refer Chapter 5.1 for applicable Duty-Cycle Correction Factor

Technology:	WLAN 5 GHz 802.11ac Mode B.W. 80 MHz										
Set-up No.:	1										
Op. Mode:	1/2										

Diagram no.	Channel no.	Restricted band ?	Fundamental Value [dBuV/m]		Value at Band-Edge [dBuV/m]		Limits [dBuV/m]		Margin [dB]		Verdict	Remark: Mode-B.W.-Data Rate-Power
			Peak -Value	Average -Value + Duty Cycle Correction	Peak -Value	Average -Value + Duty Cycle Correction	Peak -Value	Average -Value	Peak	Average		
9.41b	5210	YES	91,79	82,77	51,80	40,74	74,00	54,00	22,20	13,26	PASS	n-Mode-80 MHz-MCS0+6dBm
9.42d	5290	YES	91,34	81,40	55,24	42,90	74,00	54,00	18,76	11,10	PASS	n-Mode-80 MHz-MCS0+6dBm

Remark 1: For further details please refer → Annex 1: Test results - CETECOM_TR17-1-0065901T60-A1
 Remark 2: Measurements results are only valid and compliant with power setting: +6 dBm
 Remark 3: Please refer Chapter 5.1 for applicable Duty-Cycle Correction Factor

5.8.7. Verdict: Pass

5.9. Measurement uncertainties

The reported uncertainties are calculated based on the standard uncertainty multiplied with the appropriate coverage factor **k**, such that a confidence level of approximately 95% is achieved.

For uncertainty determination, each component used in the concrete measurement set-up was taken in account and it's contribution to the overall uncertainty according it's statistical distribution calculated.

Following table shows expectable uncertainties for each measurement type performed.

RF-Measurement	Reference	Frequency range	Calculated uncertainty based on a confidence level of 95%						Remarks
Conducted emissions (U _{CISPR})	CISPR 16-2-1	9 kHz - 150 kHz	4.0 dB						-
		150 kHz - 30 MHz	3.6 dB						
Radiated emissions Enclosure	CISPR 16-2-3	30 MHz - 1 GHz	4.2 dB						E-Field
		1 GHz - 18 GHz	5.1 dB						
Disturbance power	CISPR 16-2-2	30 MHz - 300 MHz	-						-
Power Output radiated	-	30 MHz - 4 GHz	3.17 dB						Substitution method
Power Output conducted	-	Set-up No.	Cel-C1	Cel-C2	BT1	W1	W2	--	-
		9 kHz - 12.75 GHz	N/A	0.60	0.7	0.25	N/A	--	
		12.75 - 26.5GHz	N/A	0.82	--	N/A	N/A	--	
Conducted emissions on RF-port	-	9 kHz - 2.8 GHz	0.70	N/A	0.70	N/A	0.69	--	N/A - not applicable
		2.8 GHz - 12.75GHz	1.48	N/A	1.51	N/A	1.43	--	
		12.75 GHz - 18GHz	1.81	N/A	1.83	N/A	1.77	--	
		18 GHz - 26.5GHz	1.83	N/A	1.85	N/A	1.79	--	
Occupied bandwidth	-	9 kHz - 4 GHz	0.1272 ppm (Delta Marker)						Frequency error
			1.0 dB						Power
Emission bandwidth	-	9 kHz - 4 GHz	0.1272 ppm (Delta Marker)						Frequency error
			See above: 0.70 dB						Power
Frequency stability	-	9 kHz - 20 GHz	0.0636 ppm						-
Radiated emissions Enclosure	-	150 kHz - 30 MHz	5.0 dB						Magnetic field E-field Substitution
		30 MHz - 1 GHz	4.2 dB						
		1 GHz - 20 GHz	3.17 dB						

Table: measurement uncertainties, valid for conducted/radiated measurements

6. Abbreviations used in this report

The abbreviations	
ANSI	American National Standards Institute
AV . AVG. CAV	Average detector
EIRP	Equivalent isotropically radiated power. determined within a separate measurement
EGPRS	Enhanced General Packet Radio Service
EUT	Equipment Under Test
FCC	Federal Communications Commission. USA
IC	Industry Canada
n.a.	not applicable
Op-Mode	Operating mode of the equipment
PK	Peak
RBW	resolution bandwidth
RF	Radio frequency
RSS	Radio Standards Specification. Documents from Industry Canada
Rx	Receiver
TCH	Traffic channel
Tx	Transmitter
QP	Quasi peak detector
VBW	Video bandwidth
ERP	Effective radiated power

7. Accreditation details of CETECOM's laboratories and test sites

Ref.- No.	Accreditation Certificate	Valid for laboratory area or test site	Accreditation Body
-	D-PL-12047-01-01	All laboratories and test sites of CETECOM GmbH. Essen	DAkKS. Deutsche Akkreditierungsstelle GmbH
337 487 558 348 348	(MRA US-EU 0003)	Radiated Measurements 30 MHz to 1 GHz. 3 m / 10 m (OATS) Radiated Measurements 30 MHz to 1 GHz. 3 m (SAR) Radiated Measurements above 1 GHz. 3 m (FAR) Mains Ports Conducted Interference Measurements Telecommunication Ports Conducted Interference Measur.	FCC. Federal Communications Commission Laboratory Division. USA
337 487 550 558	3462D-1 3462D-2 3462D-2 3462D-3	Radiated Measurements 30 MHz to 1 GHz. 3 m / 10 m (OATS) Radiated Measurements 30 MHz to 1 GHz. 3 m (SAR) Radiated Measurements 1 GHz to 6 GHz. 3 m (SAR) Radiated Measurements above 1 GHz. 3 m (FAR)	IC. Industry Canada Certification and Engineering Bureau
487 550 348 348	R-2666 G-301 C-2914 T-1967	Radiated Measurements 30 MHz to 1 GHz. 3 m (SAR) Radiated Measurements 1 GHz to 6 GHz. 3 m (SAR) Mains Ports Conducted Interference Measurements Telecommunication Ports Conducted Interference Measur.	VCCI. Voluntary Control Council for Interference by Information Technology Equipment. Japan

OATS = Open Area Test Site. SAR = Semi Anechoic Room. FAR = Fully Anechoic Room

8. Instruments and Ancillary

TC”

The “Ref.-No” in the left column of the following tables allows the clear identification of the laboratory equipment.

8.1.1. Test software and firmware of equipment

Ref.-No.	Equipment	Type	Serial-No.	Version of Firmware or Software during the test
001	EMI Test Receiver	ESS	825132/017	Firm.= 1.21 , OTP=2.0, GRA=2.0
012	Signal Generator (EMS-cond.)	SMY 01	839069/027	Firm.= V 2.02
013	Power Meter (EMS cond.)	NRVD	839111/003	Firm.= V 1.51
017	Digital Radiocommunication Tester	CMD 60 M	844365/014	Firmware = V 3.52 .22.01.99, DECT = D2.87 13.01.99
053	Audio Analyzer	UPA3	860612/022	Firm. V 4.3
119	RT Harmonics Analyzer dig. Flickermeter	B10	G60547	Firm.= V 3.1DHG
140	Signal Generator	SMHU	831314/006	Firm.= 3.21
261	Thermal Power Sensor	NRV-Z55	825083/0008	EPROM-Datum 02.12.04, SE EE 1 B
262	Power Meter	NRV-S	825770/0010	Firm.= 2.6
263	Signal Generator	SMP 04	826190/0007	Firm.=3.21
295	Racal Digital Radio Test Set	6103	1572	UNIT Firmware= 4.04, SW-Main=4.04, SW-BBP=1.04, SW-DSP=1.02, Hardboot=1.02, Softboot=2.02
298	Univ. Radio Communication Tester	CMU 200	832221/091	R&S Test Firmware =3.53 /3.54 (current Testsoftw. f. all band used
323	Digital Radiocommunication Tester	CMD 55	825878/0034	Firm.= 3.52 .22.01.99
335	CTC-EMS-Conducted	System EMS Conducted	-	EMC 32 V 8.52
340	Digital Radiocommunication Tester	CMD 55	849709/037	Firm.= 3.52 .22.01.99
355	Power Meter	URV 5	891310/027	Firm.= 1.31
365	10V Insertion Unit 50 Ohm	URV5-Z2	100880	Eprom Data = 31.03.08
366	Ultra Compact Simulator	UCS 500 M4	V0531100594	Firm. UCS 500=001925/3.06a02, rc=ISMIEC 4.10
371	Bluetooth Tester	CBT32	100153	CBT V5.30+ SW-Option K55, K57
377	EMI Test Receiver	ESCS 30	100160	Firm.= 2.30, OTP= 02.01, GRA= 02.36
378	Broadband RF Field Monitor	RadiSense III	03D00013SNO-08	Firm.= V.03D13
389	Digital Multimeter	Keithley 2000	0583926	Firm. = A13 (Mainboard) A02 (Display)
392	Radio Communication Tester	MT8820A	6K00000788	Firm.= 4.50 #005, IPL=4.01#001, OS=4.02#001, GSM=4.41#013, W-CDMA= 4.54#004, scenario= 4.52#002
436	Univ. Radio Communication Tester	CMU 200	103083	R&S Test Firmware Base=5.14, Mess-Software= GSM:5.14 WCDMA:5.14 (current Testsoftw. F. all band
441	CTC-SAR-EMI Cable Loss	System EMI field (SAR)	-	EMC 32 Version 8.52
442	CTC-SAR-EMS	System EMS field (SAR)	-	EMC 32 Version 8.40
443	CTC-FAR-EMI-RSE	System CTC-FAR-EMI-RSE	-	Spuri 7.2.5 or EMC 32 Ver. 9.15.00
444	CTC-FAR-EMS field	System-EMS-Field (FAR)	-	EMC 32 Version 9.15.00
460	Univ. Radio Communication Tester	CMU 200	108901	R&S Test Firmware Base=5.14, GSM=5.14 WCDMA=5.14 (current Testsoftw.,f. all band to be used,
489	EMI Test Receiver	ESU40	1000-30	Firmware=4.43 SP3, Bios=V5.1-16-3, Spec. =01.00
491	ESD Simulator dito	ESD dito	dito307022	V 2.30
524	Voltage Drop Simulator	VDS 200	0196-16	Software Nr: 000037 Version V4.20a01
526	Burst Generator	EFT 200 A	0496-06	Software Nr. 000034 Version V2.32
527	Micro Pulse Generator	MPG 200 B	0496-05	Software-Nr. 000030 Version V2.43
528	Load Dump Simulator	LD 200B	0496-06	Software-Nr. 000031 Version V2.35a01
546	Univ. Radio Communication Tester	CMU 200	106436	R&S Test Firmware Base=5.14, GSM=5.14 WCDMA=5.14 (current Testsoftw.,f. all band to be used
547	Univ. Radio Communication Tester	CMU 200	835390/014	R&S Test Firmware Base=V5.1403 (current Testsoftw., f. all band used, GSM = 5.14 WCDMA: = 5.14
584	Spectrum Analyzer	FSU 8	100248	2.82_SP3
597	Univ. Radio Communication Tester	CMU 200	100347	R&S Test Firmware Base=5.01, GSM=5.02 WCDMA= not installed, Mainboard= µP1=V.850
598	Spectrum Analyzer	FSEM 30	831259/013	Firmware Bios 3.40 , Analyzer 3.40 Sp 2
607	Signal Generator	SMR 20	832033/011	V1.25
620	EMI Test Receiver	ESU 26	100362	4.43_SP3
642	Wideband Radio Communication Tester	CMW 500	126089	Setup V03.26, Test programm component V03.02.20
670	Univ. Radio Communication Tester	CMU 200	106833	µP1 =V8.50, Firmware = V.20
689	Vector Signal Generator	SMU200	100970	02.20.360.142
692	Bluetooth Tester	CBT 32	100236	CBT V 5.40, FW: V.2.41 (FPGA Digital, V. 3.09 FPGA RF)

8.1.2. Single instruments and test systems

Ref.-No.	Equipment	Type	Serial-No.	Manufacturer	Interval of calibration	Remark	Cal due
001	EMI Test Receiver	ESS	825132/017	Rohde & Schwarz	12 M	-	16.05.2018
005	AC - LISN (50 Ohm/50µH, test site 1)	ESH2-Z5	861741/005	Rohde & Schwarz	12 M	-	15.05.2018
007	Single-Line V-Network (50 Ohm/5µH)	ESH3-Z6	892563/002	Rohde & Schwarz	12 M	-	17.05.2018
009	Power Meter (EMS-radiated)	NRV	863056/017	Rohde & Schwarz	24 M	-	15.05.2019
016	Line Impedance Simulating Network	Op. 24-D	B6366	Spitzenberger+Spies	36 M	-	30.05.2019
020	Horn Antenna 18 GHz (Subst 1)	3115	9107-3699	EMCO	36/12 M	-	31.07.2017
021	Loop Antenna (H-Field)	6502	9206-2770	EMCO	36 M	-	30.04.2018
030	Loop Antenna (H-field)	HFH-Z2	879604/026	Rohde & Schwarz	36 M	-	30.04.2018
033	RF-current probe (100kHz-30MHz)	ESH2-Z1	879581/18	Rohde & Schwarz	24 M	-	15.05.2019
057	relay-switch-unit (EMS system)	RSU	494440/002	Rohde & Schwarz	pre-m	1a	
060	power amplifier (DC-2kHz)	PAS 5000	B6363	Spitzenberger+Spies	-	3	
066	notch filter (WCDMA; FDD1)	WRCT 1900/2200-5/40-10EEK	5	Wainwright GmbH	12 M	1g	30.06.2017
086	DC - power supply, 0 -10 A	LNG 50-10	-	Heinzinger Electronic	pre-m	2	
087	DC - power supply, 0 -5 A	EA-3013 S	-	Elektro Automatik	pre-m	2	
091	USB-LWL-Converter	OLS-1	007/2006	Ing. Büro Scheiba	-	4	
099	passive voltage probe	ESH2-Z3	299.7810.52	Rohde & Schwarz	36 M	-	30.04.2018
100	passive voltage probe	Probe TK 9416	without	Schwarzbeck	36 M	-	30.04.2018
110	USB-LWL-Converter	OLS-1	-	Ing. Büro Scheiba	-	4	
119	RT Harmonics Analyzer dig. Flickermeter	B10	G60547	BOCONSULT	36 M	-	30.05.2019
133	horn antenna 18 GHz (Meas 1)	3115	9012-3629	EMCO	36 M	1c	10.03.2020
134	horn antenna 18 GHz (Subst 2)	3115	9005-3414	EMCO	36 M	-	10.03.2020
136	adjustable dipole antenna (Dipole 1)	3121C-DB4	9105-0697	EMCO	36 M	-	30.04.2018
140	Signal Generator	SMHU	831314/006	Rohde & Schwarz	24 M	-	30.05.2018
248	attenuator	SMA 6dB 2W	-	Radiall	pre-m	2	
249	attenuator	SMA 10dB 10W	-	Radiall	pre-m	2	
252	attenuator	N 6dB 12W	-	Radiall	pre-m	2	
256	attenuator	SMA 3dB 2W	-	Radiall	pre-m	2	
257	hybrid	4031C	04491	Narda	pre-m	2	
260	hybrid coupler	4032C	11342	Narda	pre-m	2	
261	Thermal Power Sensor	NRV-Z55	825083/0008	Rohde & Schwarz	24 M	-	30.05.2018
262	Power Meter	NRV-S	825770/0010	Rohde & Schwarz	24 M	-	30.05.2018
263	Signal Generator	SMP 04	826190/0007	Rohde & Schwarz	36 M	-	30.05.2019
265	peak power sensor	NRV-Z33, Model 04	840414/009	Rohde & Schwarz	24 M	-	30.05.2018
266	Peak Power Sensor	NRV-Z31, Model 04	843383/016	Rohde & Schwarz	24 M	-	30.05.2018
267	notch filter GSM 850	WRCA 800/960-6EEK	9	Wainwright GmbH	pre-m	2	
270	termination	1418 N	BB6935	Weinschel	pre-m	2	
271	termination	1418 N	BE6384	Weinschel	pre-m	2	
272	attenuator (20 dB) 50 W	Model 47	BF6239	Weinschel	pre-m	2	
273	attenuator (10 dB) 100 W	Model 48	BF9229	Weinschel	pre-m	2	
274	attenuator (10 dB) 50 W	Model 47 (10 dB) 50 W	BG0321	Weinschel	pre-m	2	
275	DC-Block	Model 7003 (N)	C5129	Weinschel	pre-m	2	
276	DC-Block	Model 7006 (SMA)	C7061	Weinschel	pre-m	2	
279	power divider	1515 (SMA)	LH855	Weinschel	pre-m	2	
287	pre-amplifier 25MHz - 4GHz	AMF-2D-100M4G-35-10P	379418	Miteq	12 M	1c	30.06.2017
291	high pass filter GSM 850/900	WHJ 2200-4EE	14	Wainwright GmbH	12 M	1c	30.06.2017
298	Univ. Radio Communication Tester	CMU 200	832221/091	Rohde & Schwarz	pre-m	3	
300	AC LISN (50 Ohm/50µH, 1-phase)	ESH3-Z5	892 239/020	Rohde & Schwarz	12 M	-	17.05.2018
301	attenuator (20 dB) 50W, 18GHz	47-20-33	AW0272	Lucas Weinschel	pre-m	2	
302	horn antenna 40 GHz (Meas 1)	BBHA9170	155	Schwarzbeck	36 M	-	14.03.2020
303	horn antenna 40 GHz (Subst 1)	BBHA9170	156	Schwarzbeck	36 M	-	20.03.2020
331	Climatic Test Chamber -40/+180 Grad	HC 4055	43146	Heraeus Vötsch	24 M	-	30.10.2018
341	Digital Multimeter	Fluke 112	81650455	Fluke	24 M	-	30.05.2018
342	Digital Multimeter	Voltcraft M-4660A	IB 255466	Voltcraft	24 M	-	17.05.2019
347	laboratory site	radio lab.	-	-	-	5	
348	laboratory site	EMI conducted	-	-	-	5	
354	DC - Power Supply 40A	NGPE 40/40	448	Rohde & Schwarz	pre-m	2	
355	Power Meter	URV 5	891310/027	Rohde & Schwarz	24 M	-	30.05.2018
357	power sensor	NRV-Z1	861761/002	Rohde & Schwarz	24 M	-	24.05.2019
371	Bluetooth Tester	CBT32	100153	R&S	36 M	-	30.05.2019
373	Single-Line V-Network (50 Ohm/5µH)	ESH3-Z6	100535	Rohde & Schwarz	12 M	-	17.05.2018
377	EMI Test Receiver	ESCS 30	100160	Rohde & Schwarz	12 M	-	15.05.2018
389	Digital Multimeter	Keithley 2000	0583926	Keithley	24 M	-	30.04.2017
392	Radio Communication Tester	MT8820A	6K00000788	Anritsu	12 M	-	18.05.2018
405	Thermo-/Hygrometer	OPUS 10 THI	126.0604.0003.3.3.3.2 2	LUFFT Mess u. Regeltechnik	24 M	-	30.03.2019
431	Model 7405	Near-Field Probe Set	9305-2457	EMCO	-	4	
436	Univ. Radio Communication Tester	CMU 200	103083	Rohde & Schwarz	12 M	-	24.05.2018
439	UltraLog-Antenna	HL 562	100248	Rohde & Schwarz	36 M	-	10.03.2020
441	CTC-SAR-EMI Cable Loss	System EMI field (SAR) Cable	-	CETECOM	12 M	5	05.06.2017
443	CTC-FAR-EMI-RSE	System CTC-FAR-EMI-	-	ETS-Lindgren /	12 M	5	30.06.2017

Ref.-No.	Equipment	Type	Serial-No.	Manufacturer	Interval of calibration	Remark	Cal due
		RSE		CETECOM			
448	notch filter WCDMA_FDD II	WRCT 1850.0/2170.0-5/40-	5	Wainwright Instruments GmbH	12 M	1c	30.06.2017
449	notch filter WCDMA FDD V	WRCT 824.0/894.0-5/40-8SSK	1	Wainwright	12 M	1c	30.06.2017
454	Oscilloscope	HM 205-3	9210 P 29661	Hameg	-	4	
456	DC-Power supply 0-5 A	EA 3013 S	207810	Elektro Automatik	pre-m	2	
459	DC -Power supply 0-5 A , 0-32 V	EA-PS 2032-50	910722	Elektro Automatik	pre-m	2	
460	Univ. Radio Communication Tester	CMU 200	108901	Rohde & Schwarz	12 M	-	16.06.2018
463	Universal source	HP3245A	2831A03472	Agilent	-	4	
466	Digital Multimeter	Fluke 112	89210157	Fluke USA	24 M	-	30.05.2018
467	Digital Multimeter	Fluke 112	89680306	Fluke USA	36 M	-	30.04.2018
468	Digital Multimeter	Fluke 112	90090455	Fluke USA	36 M	-	30.04.2018
477	ReRadiating GPS-System	AS-47	-	Automotive Cons. Fink	-	3	
480	power meter (Fula)	NRVS	838392/031	Rohde & Schwarz	24 M	-	16.05.2019
482	filter matrix	Filter matrix SAR 1	-	CETECOM (Brl)	-	1d	
484	pre-amplifier 2,5 - 18 GHz	AMF-5D-02501800-25-10P	1244554	Miteq	12 M	-	30.07.2017
487	System CTC NSA-Verification SAR-EMI	System EMI field (SAR) NSA	-	ETS Lindgren / CETECOM	24 M	-	31.07.2017
489	EMI Test Receiver	ESU40	1000-30	Rohde & Schwarz	12 M	-	18.05.2019
502	band reject filter	WRCG 1709/1786-1699/1796-	SN 9	Wainwright	pre-m	2	
503	band reject filter	WRCG 824/849-814/859-	SN 5	Wainwright	pre-m	2	
512	notch filter GSM 850	WRCA 800/960-02/40-6EEK	SN 24	Wainwright	12 M	1c	30.06.2017
517	relais switch matrix	HF Relais Box Keithley	SE 04	Keithley	pre-m	2	
523	Digital Multimeter	L4411A	MY46000154	Agilent	24 M	-	18.05.2019
529	6 dB Broadband resistive power divider	Model 1515	LH 855	Weinschel	pre-m	2	
530	10 dB Broadband resistive power divider	R 416110000	LOT 9828	-	pre-m	2	
546	Univ. Radio Communication Tester	CMU 200	106436	R&S	12 M	-	30.03.2018
547	Univ. Radio Communication Tester	CMU 200	835390/014	Rohde & Schwarz	12 M	-	30.04.2017
549	Log.Per-Antenna	HL025	1000060	Rohde & Schwarz	36/12 M	-	31.07.2018
550	System CTC S-VSWR Verification SAR-EMI	System EMI Field SAR S-VSWR	-	ETS Lindgren/CETECOM	24 M	-	31.07.2017
552	high pass filter 2.8-18GHz	WHKX 2.8/18G-10SS	4	Wainwright	12 M	1c	30.06.2017
557	System CTC-OTA-2	R&S TS8991	-	Rohde & Schwarz	12 M	5	30.09.2016
558	System CTC FAR S-VSWR	System CTC FAR S-VSWR	-	CTC	24 M	-	31.07.2017
574	Biconilog Hybrid Antenna	BTA-L	980026L	Frankonia	36/12 M	-	31.03.2019
584	Spectrum Analyzer	FSU 8	100248	Rohde & Schwarz	pre-m	-	
594	Wideband Radio Communication Tester	CMW 500	101757	Rohde & Schwarz	12 M	-	30.04.2017
597	Univ. Radio Communication Tester	CMU 200	100347	Rohde & Schwarz	pre-m	-	
598	Spectrum Analyzer	FSEM 30	831259/013	Rohde & Schwarz	24 M	-	30.04.2017
600	power meter	NRVD (Reserve)	834501/018	Rohde & Schwarz	24 M	-	17.05.2019
601	medium-sensitivity diode sensor	NRV-Z5 (Reserve)	8435323/003	Rohde & Schwarz	24 M	-	15.05.2019
602	peak power sensor	NRV-Z32 (Reserve)	835080	Rohde & Schwarz	24 M	-	
608	UltraLog-Antenna	HL 562	830547/009	Rohde & Schwarz	36 M	-	31.03.2014
611	DC power supply	E3632A	KR 75305854	Agilent	pre-m	2	
612	DC power supply	E3632A	MY 40001321	Agilent	pre-m	2	
613	Attenuator	R416120000 20dB 10W	Lot. 9828	Radiall	pre-m	2	
616	Digitalmultimeter	Fluke 177	88900339	Fluke	24 M	-	30.05.2018
617	Power Splitter/Combiner	ZFSC-2-2-S+	S F987001108	Mini Circuits	-	2	
618	Power Splitter/Combiner	50PD-634	600994	JFW Industries USA	-	2	
619	Power Splitter/Combiner	50PD-634	600995	JFW Industries, USA	-	3	
620	EMI Test Receiver	ESU 26	100362	Rohde-Schwarz	12 M	-	16.05.2018
621	Step Attenuator 0-139 dB	RSP	100017	Rohde & Schwarz	pre-m	2	
625	Generic Test Load USB	Generic Test Load USB	-	CETECOM	-	2	
627	data logger	OPUS 1	201.0999.9302.6.4.1.4 3	G. Lufft GmbH	24 M	-	30.03.2019
634	Spectrum Analyzer	FSM (HF-Unit)	826188/010	Rohde & Schwarz	pre-m	2	
637	High Speed HDMI with Ethernet 1m	HDMI cable with Ethernet 1m	-	KogiLink	-	2	
638	HDMI Kabel with Ethernet 1,5 m flach	HDMI cable with Ethernet	-	Reichelt	-	2	
640	HDMI cable 2m rund	HDMI cable 2m rund	-	Reichelt	-	2	
641	HDMI cable with Ethernet	Certified HDMI cable with	-	PureLink	-	2	
642	Wideband Radio Communication Tester	CMW 500	126089	Rohde&Schwarz	12 M	-	24.05.2018
644	Amplifierer	ZX60-2534M+	SN865701299	Mini-Circuits	-	-	
670	Univ. Radio Communication Tester	CMU 200	106833	Rohde & Schwarz	24 M	-	30.05.2018
671	DC-power supply 0-5 A	EA-3013S	-	Elektro Automatik	pre-m	2	
678	Power Meter	NRP	101638	Rohde&Schwarz	pre-m	-	
683	Spectrum Analyzer	FSU 26	200571	Rohde & Schwarz	12 M	-	17.05.2018
686	Field Analyzer	EHP-200A	160WX30702	Narda Safety Test Solutions	24 M	-	29.03.2019
687	Signal Generator	SMF 100A	102073	Rohde&Schwarz	12 M	-	17.05.2018

Ref.-No.	Equipment	Type	Serial-No.	Manufacturer	Interval of calibration	Remark	Cal due
688	Pre Amp	JS-18004000-40-8P	1750117	Miteq	pre-m	-	
690	Spectrum Analyzer	FSU	100302/026	Rohde&Schwarz	12 M	-	16.05.2018
691	OSP120 Base Unit	OSP120	101183	Rohde & Schwarz	12 M	-	22.05.2018
692	Bluetooth Tester	CBT 32	100236	Rohde & Schwarz	36 M	-	29.05.2020
693	TS8997	CTC-Radio Lab 1_TS8997	-	Rohde&Schwarz	12 M	5	06.06.2017
697	Power Splitter	ZN4PD-642W-S+	165001445	Mini-Circuits	-	2	
701	CMW500 wide. Radio Comm.	CMW500	158150	Rohde & Schwarz	12 M	-	01.05.2017
703	INNCO Antennen Mast	MA 4010-KT080-XPET-ZSS3	MA4170-KT100-XPET-	INNCO	pre-m	-	
704	INNCON Controller	CO 3000-4port	CO3000/933/3841051 6/L	INNCO Systems GmBh	pre-m	-	
711	Harmonic Mixer 90 GHz - 140GHz	RPG FS-Z140	101004	RPG	12 M	-	22.02.2018
712	Harmonic Mixer 75 GHz - 110GHz	FS-Z110	101468	Rohde & Schwarz	12 M	-	22.02.2018
713	Harmonic Mixer, 50 GHz - 75GHz	FS-Z75	101022	Rohde & Schwarz	12 M	-	22.05.2018
714	Signal Analyzer 67GHz	FSW67	104023	Rohde & Schwarz	24 M	-	03.03.2019
715	Harmonic Mixer, 140 GHz - 220GHz	FS-Z220	101009	RPG Radiometer Physics	12 M	-	03.08.2018
716	Harmonic Mixer 220 GHz to 325 GHZ	FS-Z325	101005	RPG Radiometer Physics	12 M	-	13.02.2018
747	Spectrum Analyzer	FSU 26	200152	Rohde & Schwarz	12 M	-	18.05.2018
748	Pickett-Potter Horn Antenna	FH-PP 4060	010001	Radiometer Physics	-	-	
749	Pickett-potter Horn Antenna	FH-PP 60-90	010003	Radiometer Physics	-	-	
750	Pickett-Potter Horn Antenna	FH-PP 140-220	010011	Radiometer Physics	-	-	

8.1.3. Legend

Note / remarks		Calibrated during system calibration:
	1a	System CTC-SAR-EMS (Ref.-No. 442)
	1b	System-CTC-EMS-Conducted (Ref.-No. 335)
	1c	System CTC-FAR-EMI-RSE (Ref.-No . 443)
	1d	System CTC-SAR-EMI (Ref.-No . 441)
	1e	System CTC-OATS (EMI radiated) (Ref.-No. 337)
	1 f	System CTC-CTIA-OTA (Ref.-No . 420)
	1 g	System CTC-FAR-EMS (Ref.-No . 444)
	2	Calibration or equipment check immediately before measurement
	3	Regulatory maintained equipment for functional check or support purpose
	4	Ancillary equipment without calibration e.g. mechanical equipment or monitoring equipment
	5	Test System

Interval of calibration	12 M	12 month
	24 M	24 month
	36 M	36 month
	24/12 M	Calibration every 24 months. between this every 12 months internal validation
	36/12 M	Calibration every 36 months. between this every 12 months internal validation
	Pre-m	Check before starting the measurement
	-	Without calibration

9. Versions of test reports (change history)

Version	Applied changes	Date of release
--	Initial release	2017-07-10
--	--	--
--	--	--