

REVISION RECORD			
ITE	ECO NO.	APPROVED	DATE

D

D

C

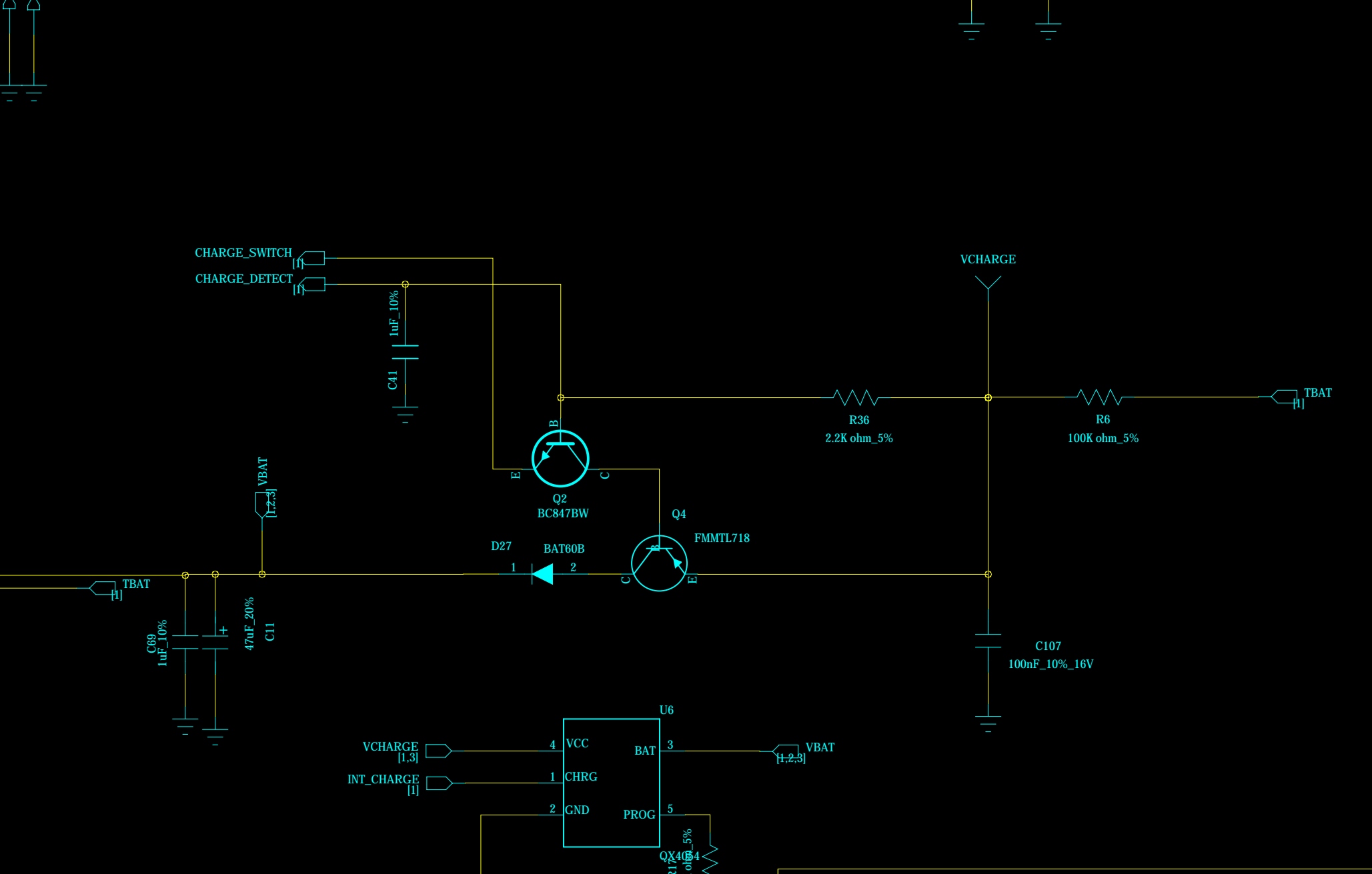
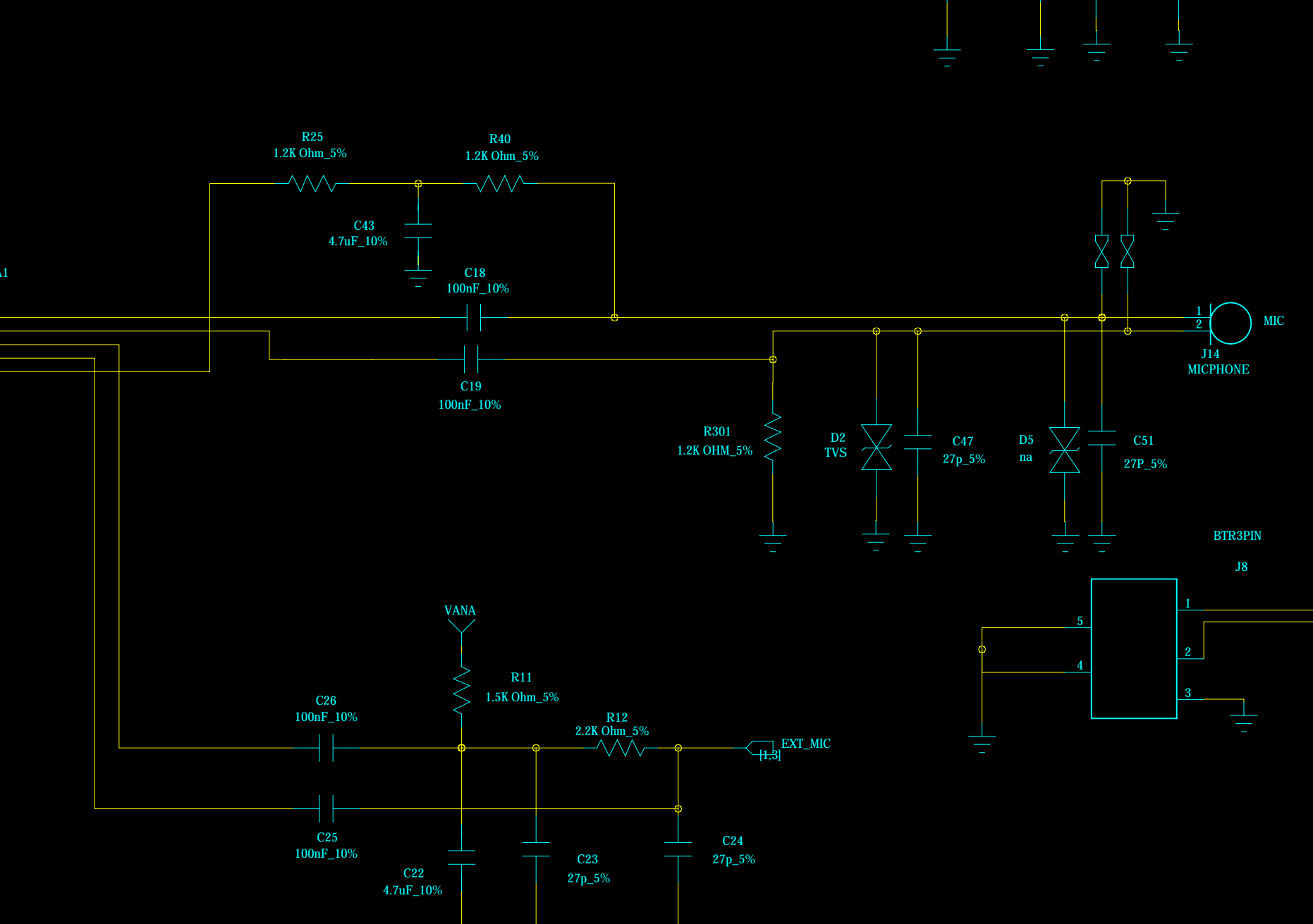
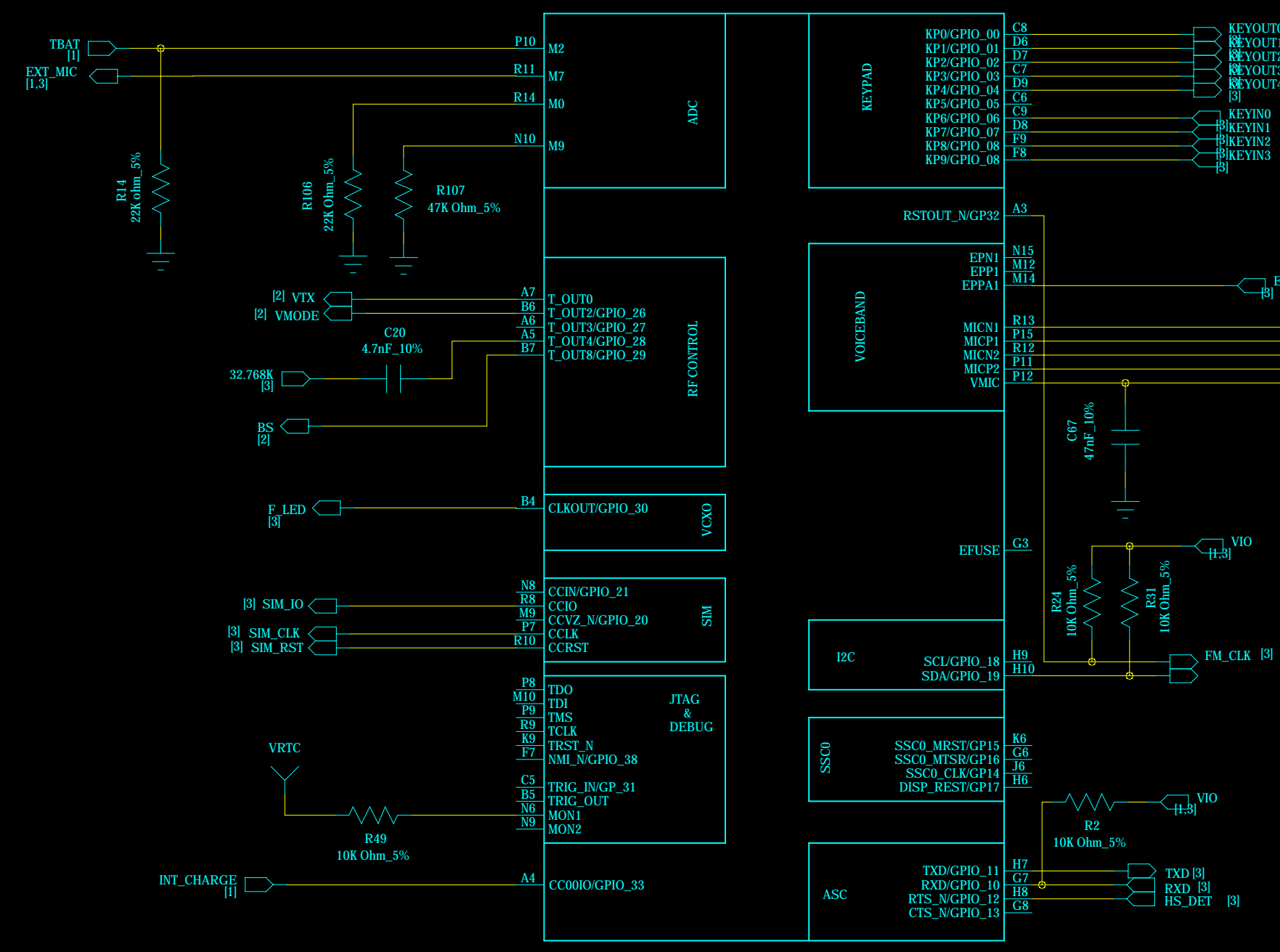
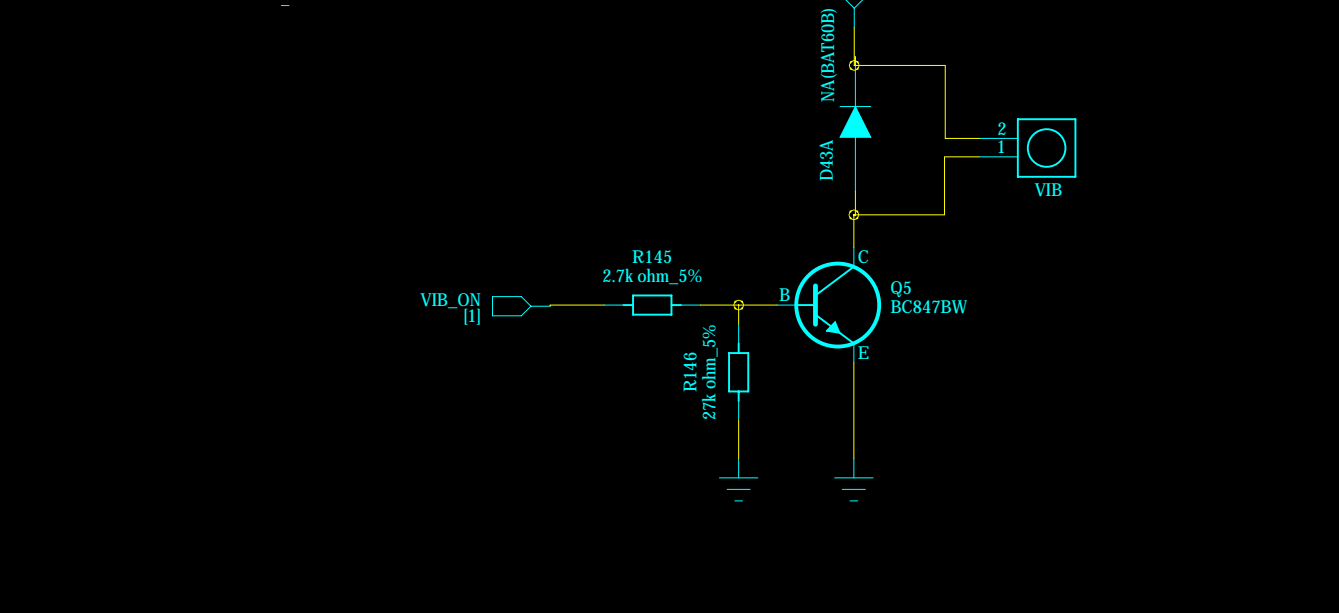
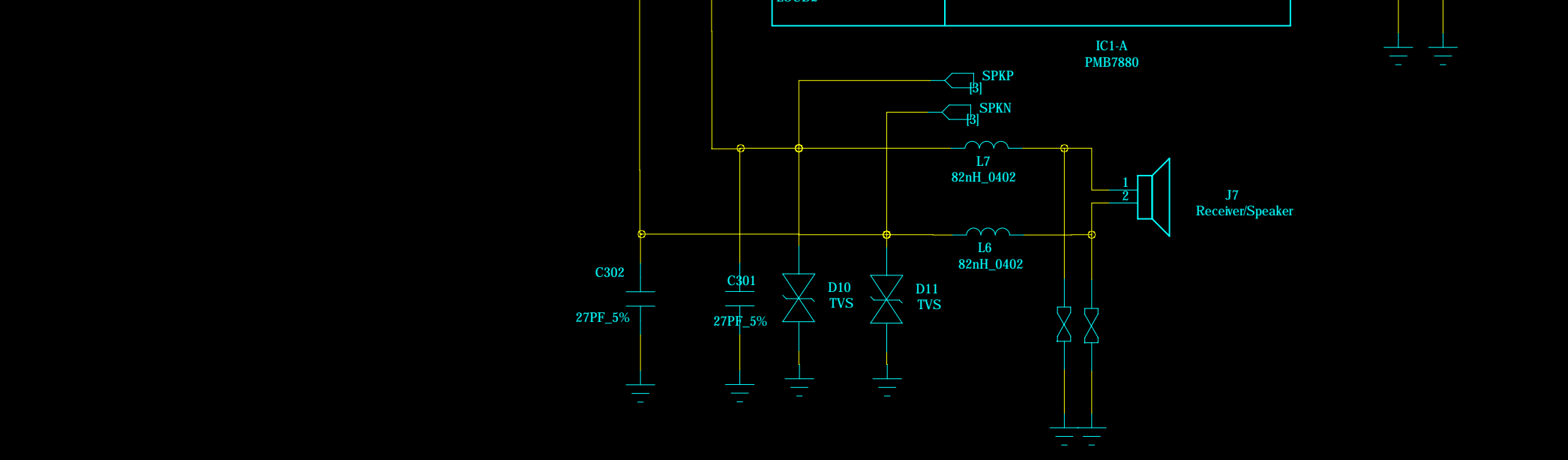
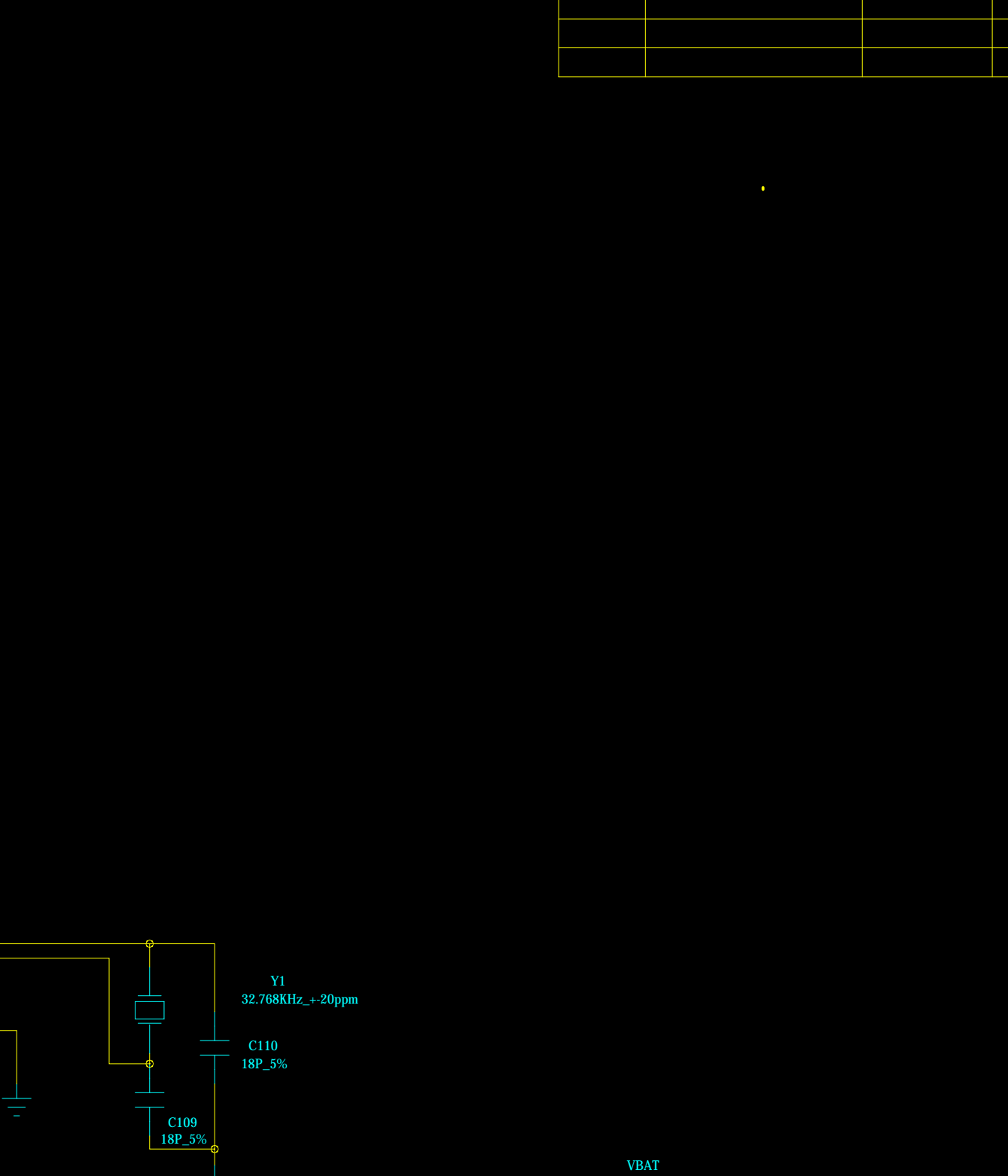
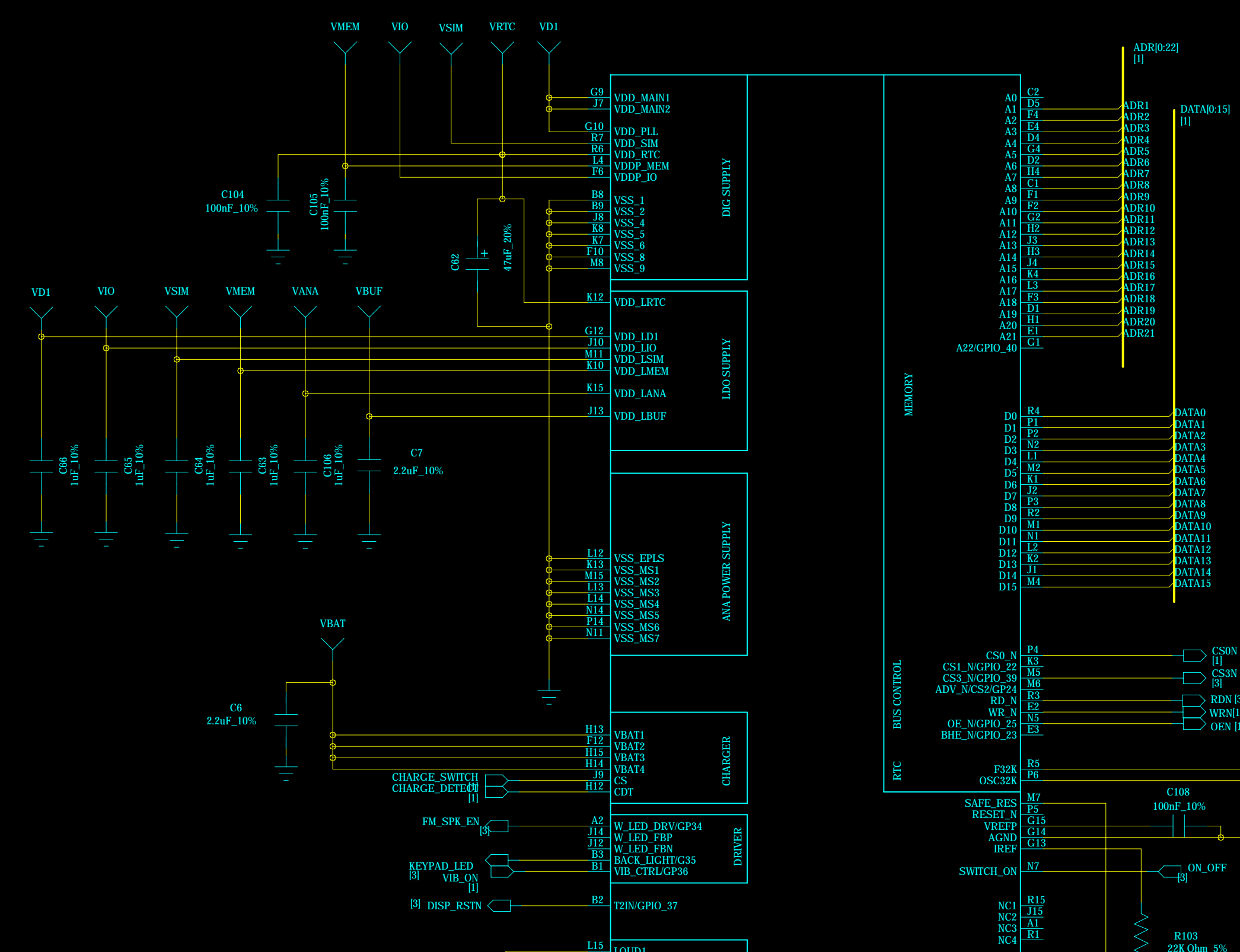
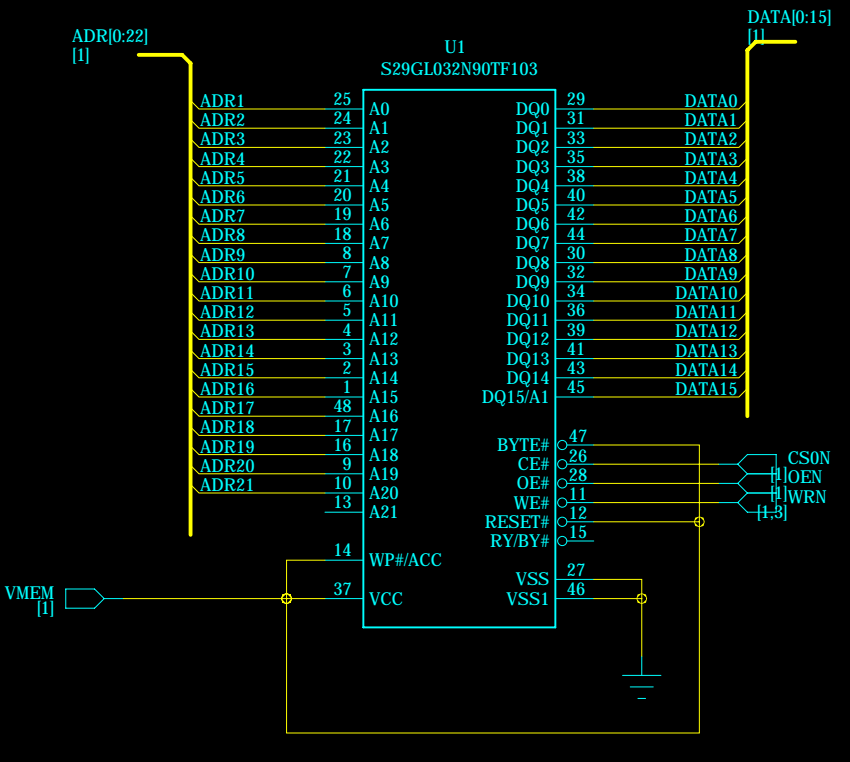
C

B

B

A

A



COMPANY: **Tech.Co.,Ltd.**

TITLE: **VISSA2.5 BASEBAND**

DRAWN: _____ DATE: _____

CHECKED: _____ DATE: _____

QUALITY CONTROL: _____ DATE: _____

RELEASED: _____ DATE: _____

CODE: _____ SIZE: **A3** DRAWING NO. _____ REV: **1.0**

SCALE: _____ SHEET: _____ OF _____

REVISION RECORD			
LTR	ECO NO.	APPROVED	DATE

D

D

C

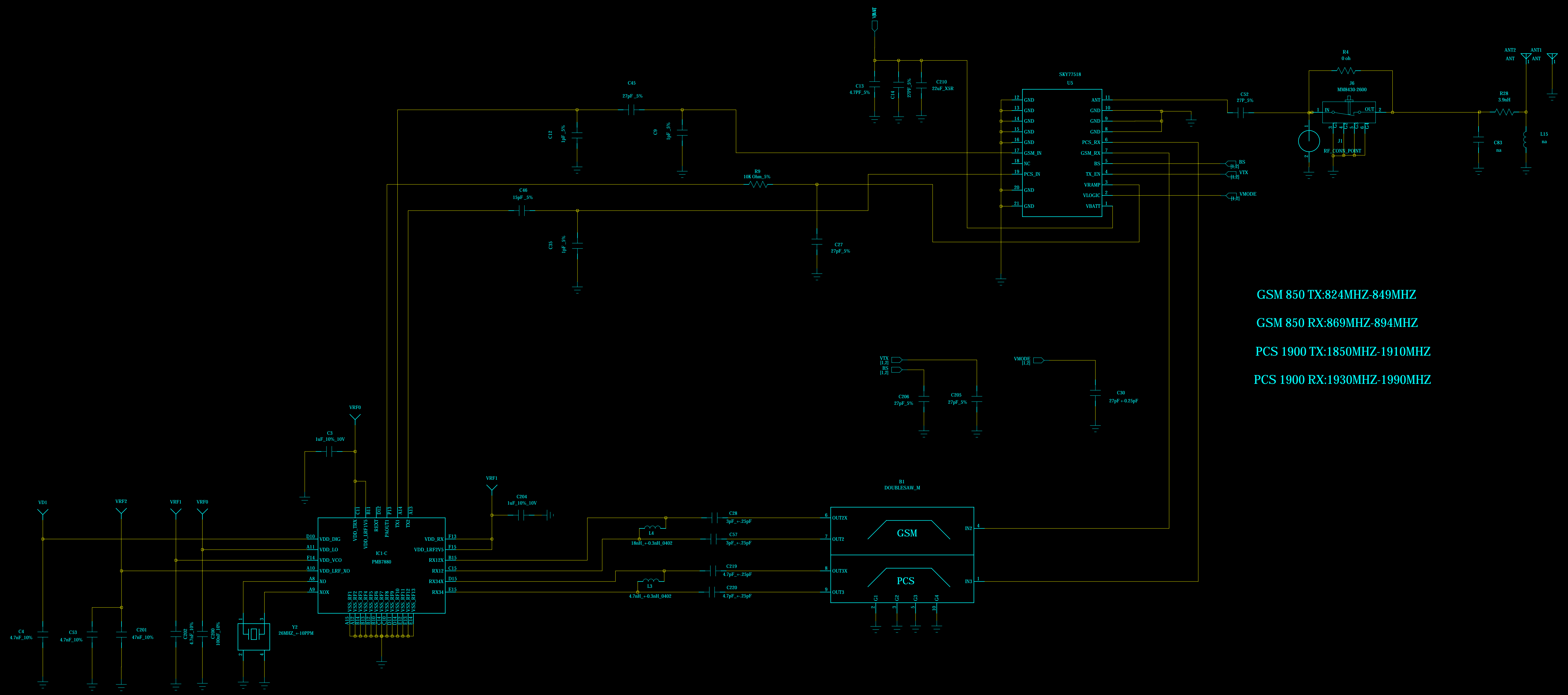
C

B

B

A

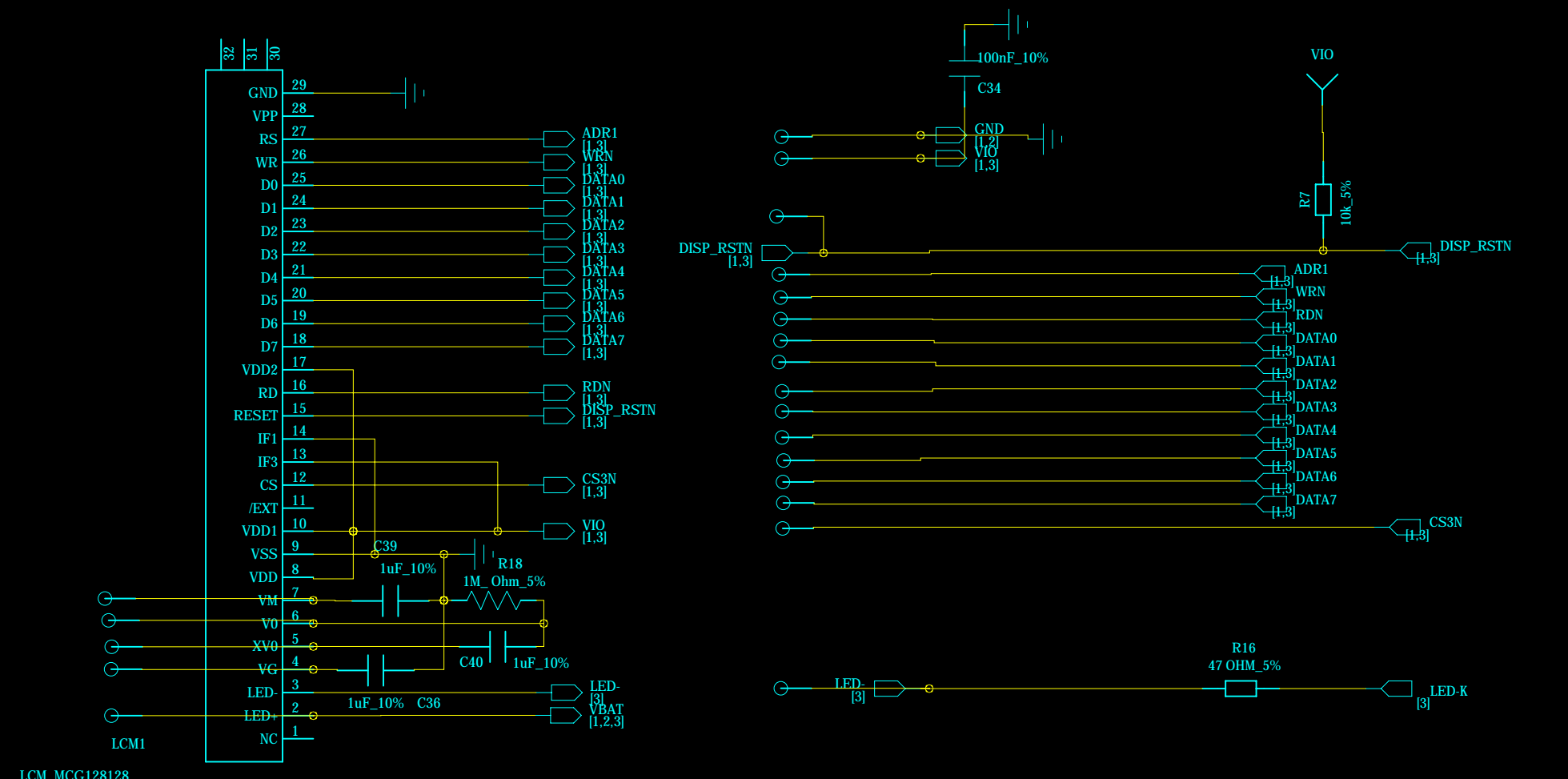
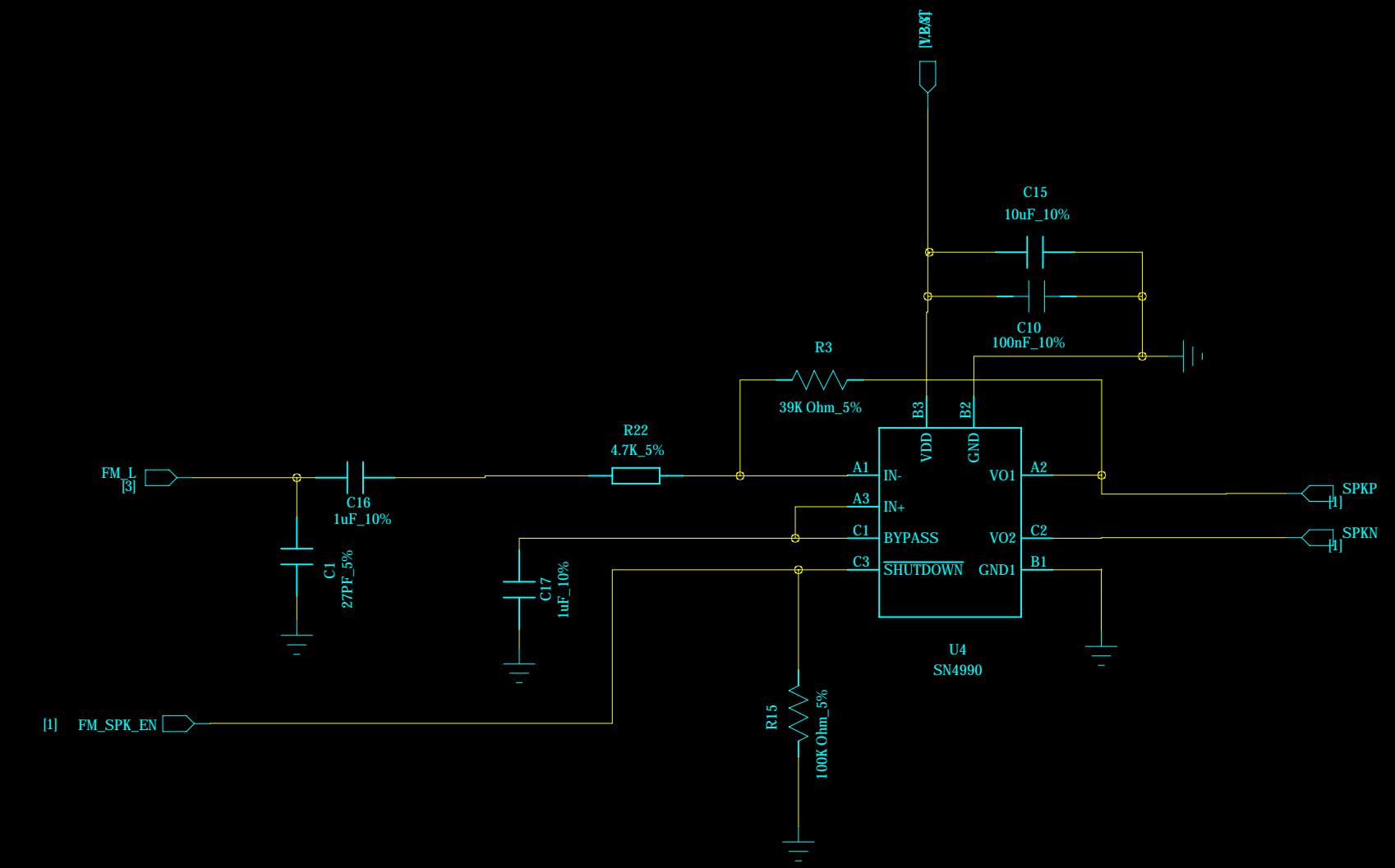
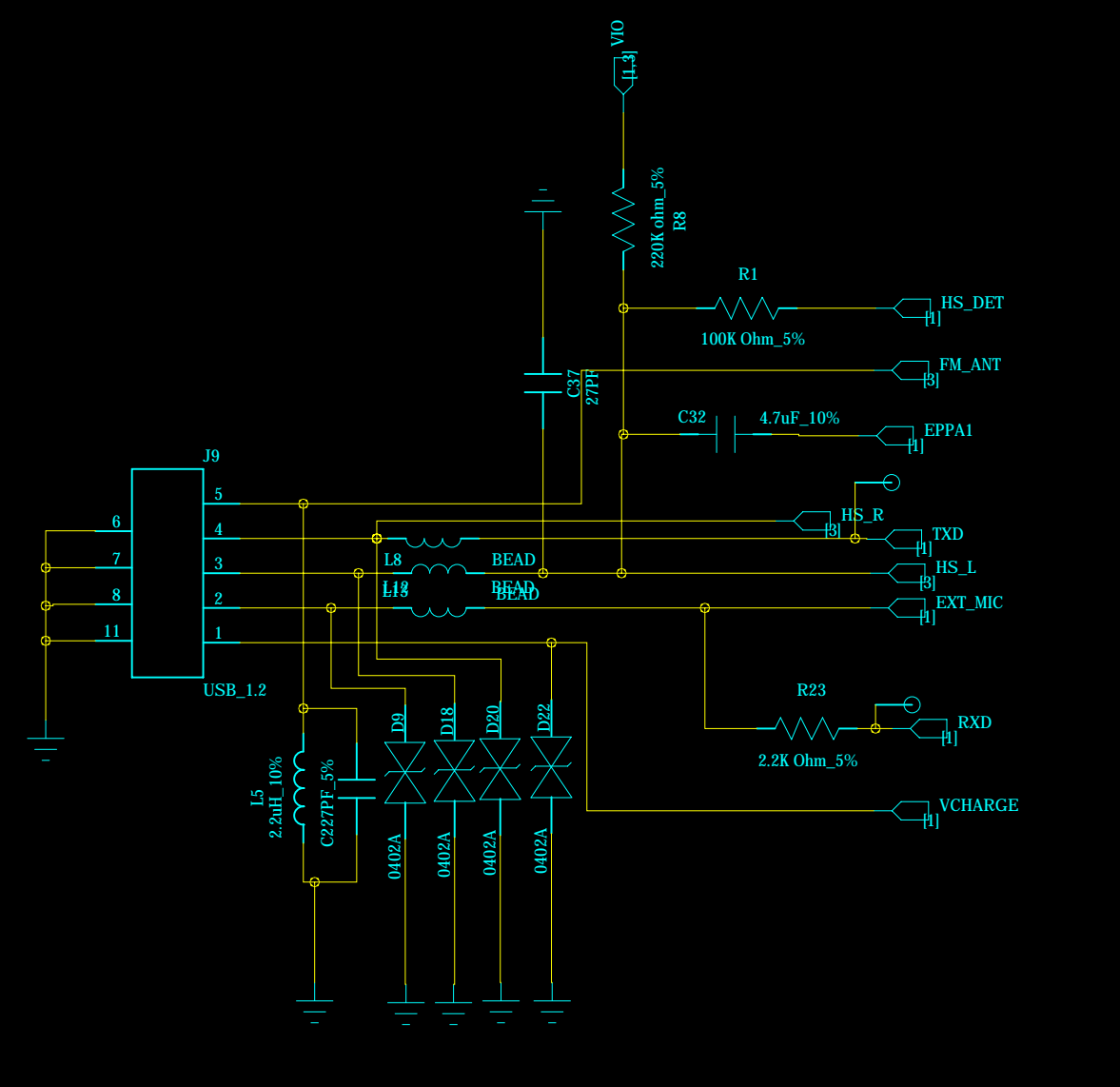
A



GSM 850 TX:824MHZ-849MHZ
 GSM 850 RX:869MHZ-894MHZ
 PCS 1900 TX:1850MHZ-1910MHZ
 PCS 1900 RX:1930MHZ-1990MHZ

COMPANY: Tech.Co.,Ltd.			
TITLE: VISSA 2.5 RF			
DRAWN:	DATED:	CODE:	SIZE:
CHECKED:	DATED:	DRAWING NO.:	REV:
QUALITY CONTROL:	DATED:	SCALE:	
RELEASED:	DATED:	SHEET OF	

REVISION RECORD			
LTR	ECO NO.	APPROVED	DATE



D

D

C

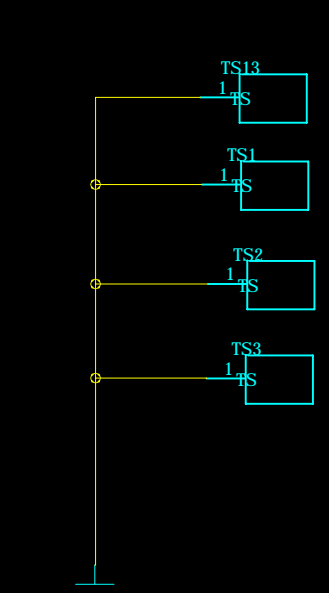
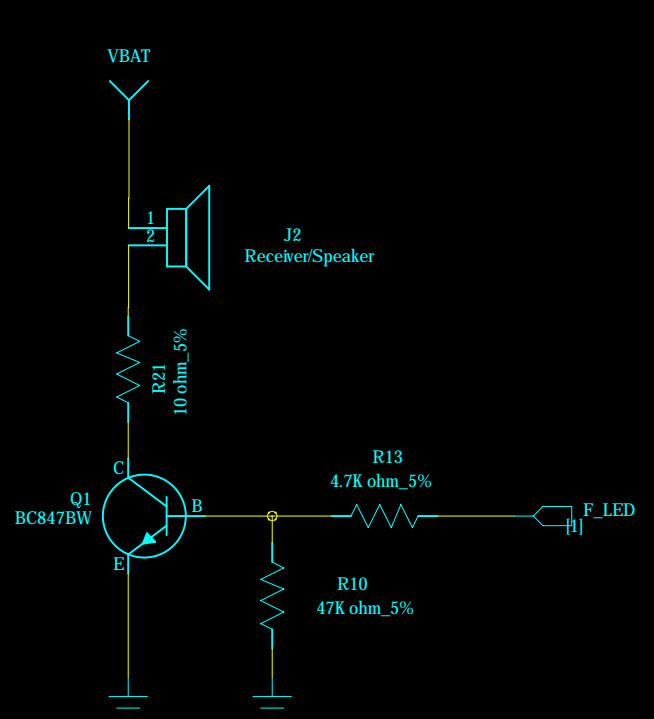
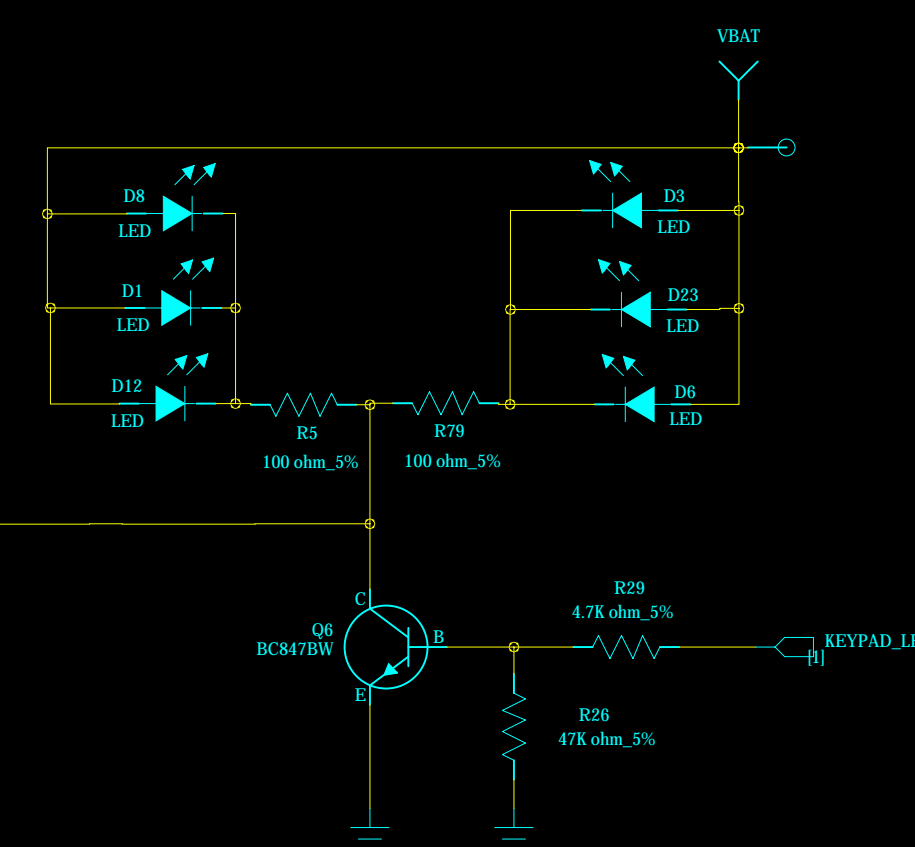
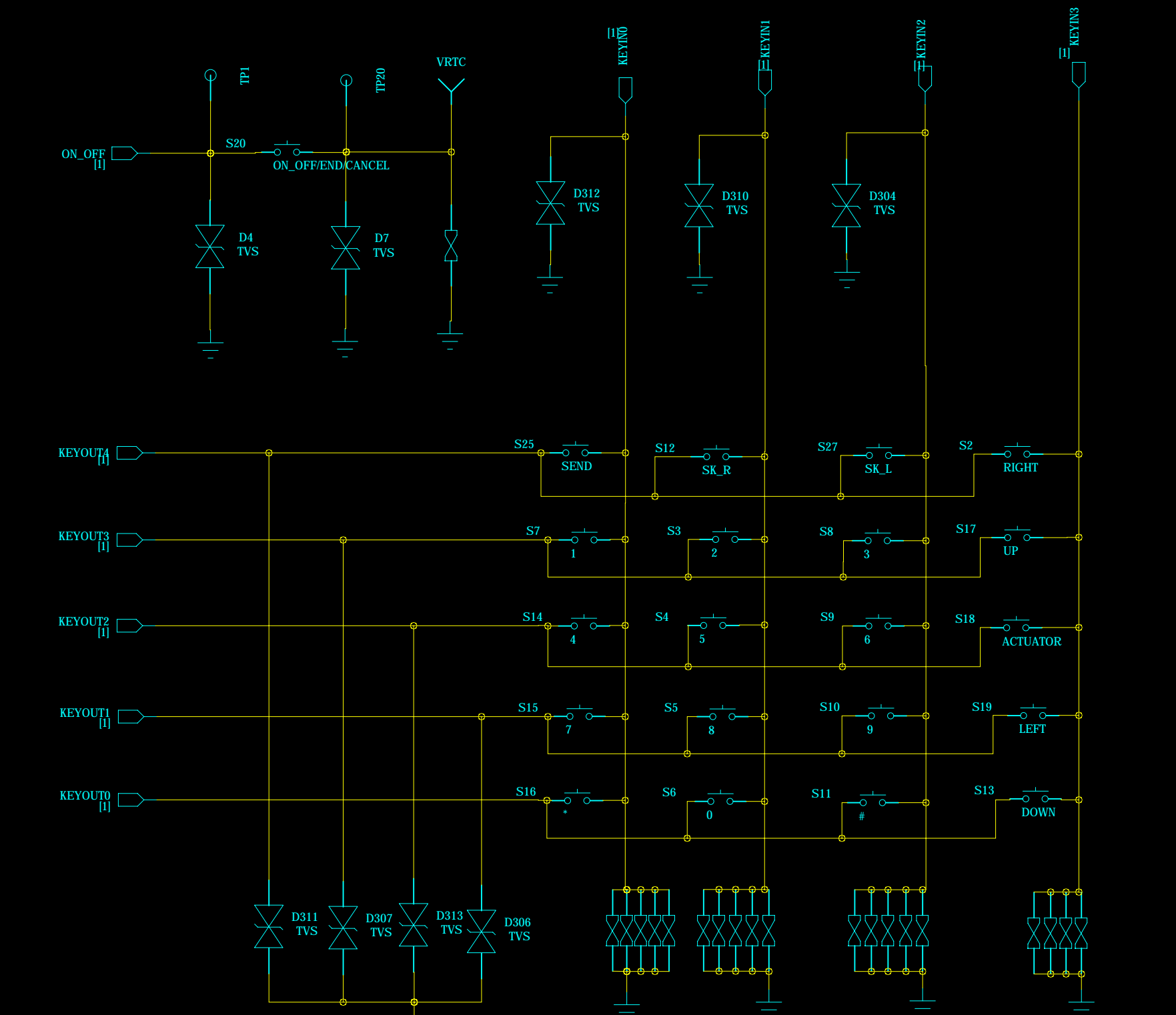
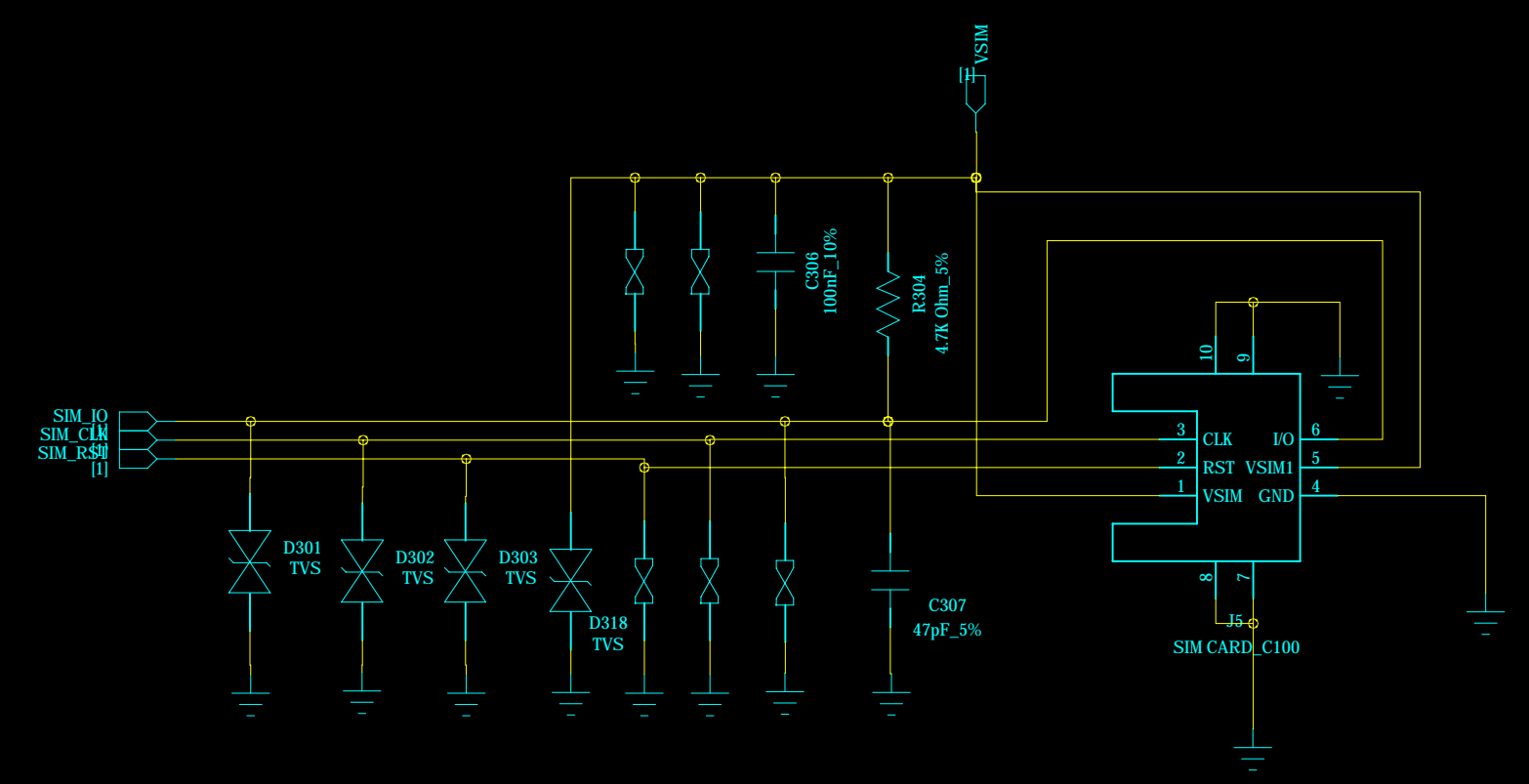
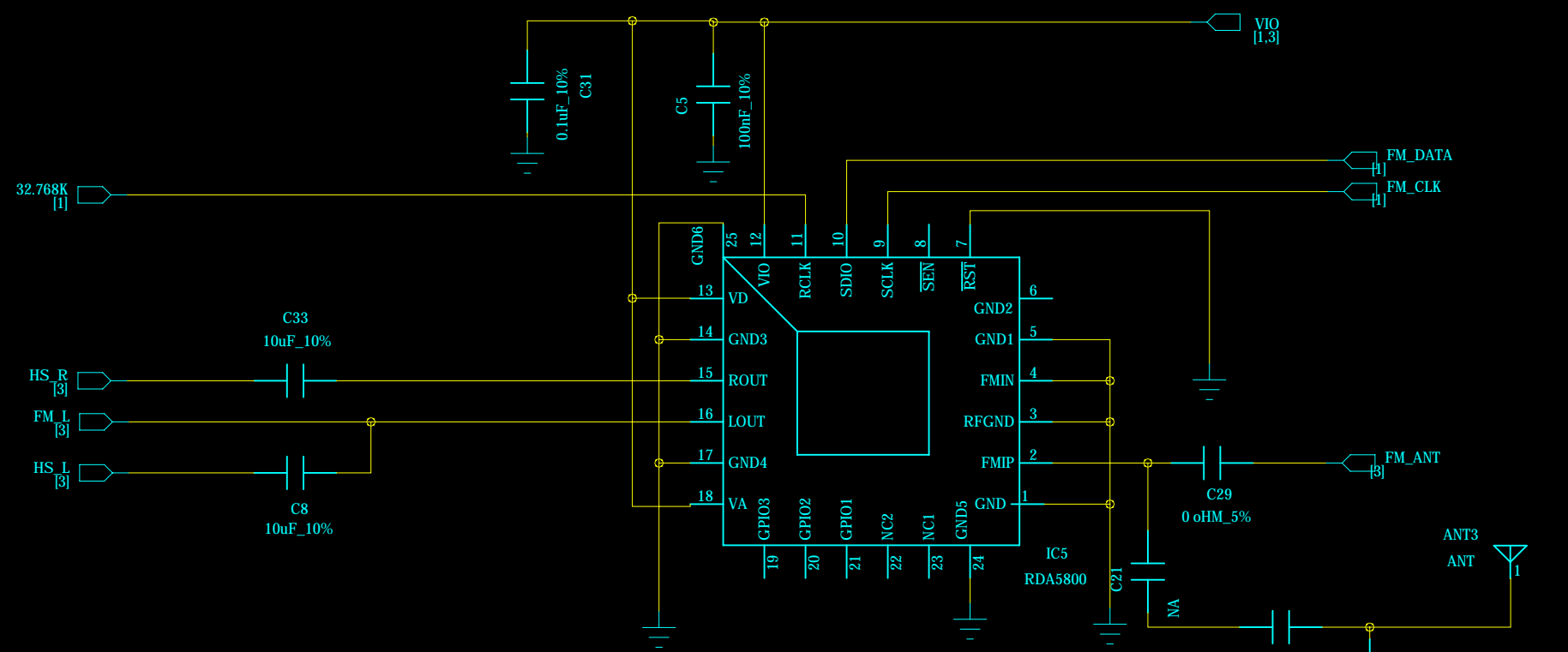
C

B

B

A

A



COMPANY: Tech.Co.,Ltd.			
TITLE: VISSA2.5 KEYPAD,DISPLAY,FM			
DRAWN:	DATED:	CODE:	SIZE:
CHECKED:	DATED:	DRAWING NO.:	REV.:
QUALITY CONTROL:	DATED:	SCALE:	
RELEASED:	DATED:	SHEET: OF	