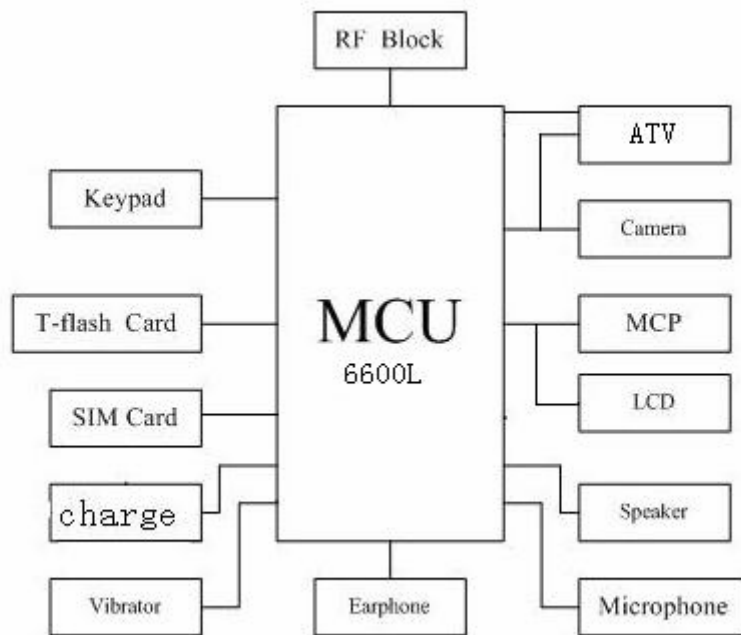
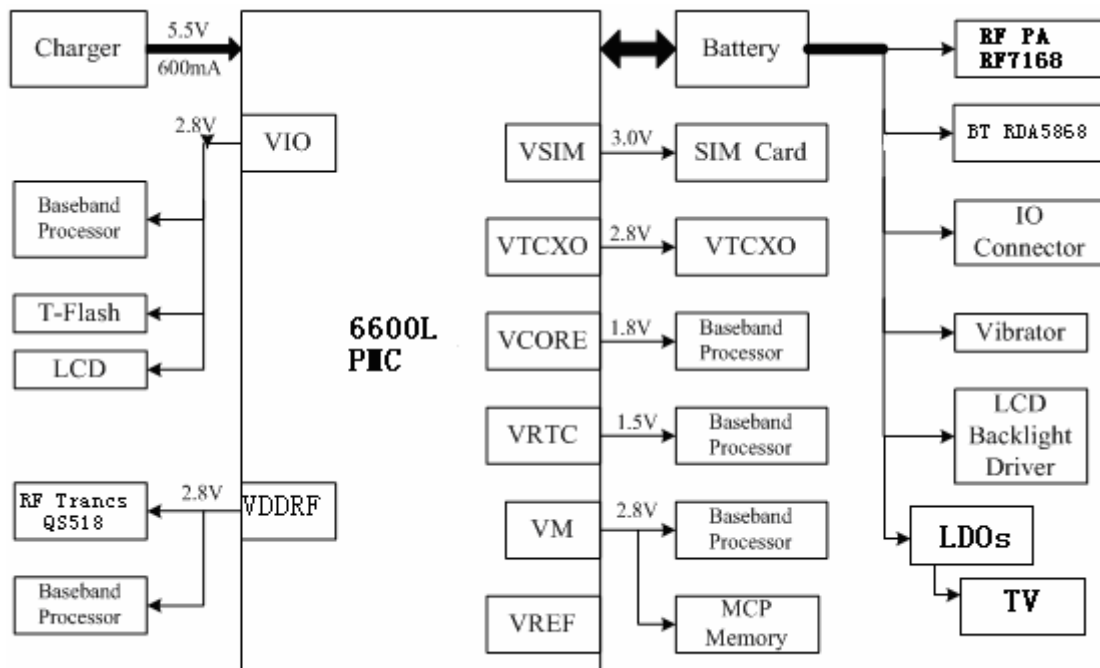


一、SYS Block Diagram



二、Power manager diagram



三、RF Circuit Diagram

