



DUO

DESKTOP

TABLET



CONTENTS

Chapter 1: Introduction.....	1
Chapter 2: Getting to know your Prodigy	2
Box Contents.....	2
Prodigi Tablet at a glance	2
Setting up	4
Chapter 3: Using Prodigy	6
Magnifying.....	6
Capturing and Reading	8
Chapter 4: Switching to Standard Interface	12
Magnifying (Standard Interface).....	13
Capturing and Reading (Standard Interface)	15
Spot Reading	17
Using the Carousel menu.....	18
Viewing saved documents	20
Chapter 5: Choosing your contrast.....	22
Chapter 6: Changing your Settings	25
Chapter 7: Recharging your Tablet	32
Chapter 8: Software update	35
Chapter 9: Troubleshooting.....	37
Appendix A: Safety and Maintenance	40
Appendix B: Specifications.....	45
Appendix C: Warranty	46

CHAPTER 1: INTRODUCTION

Thank you for purchasing Prodigy, the touch-controlled personal vision assistant system from HumanWare, global leader in assistive technologies for people who have low vision. Prodigy is a simple, intelligent, portable, and adaptable line of products aimed at restoring and maintaining independence for people living with vision loss.

Prodigy Tablet, small enough to fit in your pocket, is a complete magnification system that will allow you to magnify and read documents, capture images, and spot read on-the-go, anywhere you are.

Carefully read the operating and safety instructions described in this user guide prior to using your Prodigy. If you have any questions about your system, please contact HumanWare Customer Service by consulting the contact information in the back of this user guide.

Copyright 2014 by Technologies HumanWare Inc., all rights reserved. No part of this publication may be reproduced or distributed

in any form or by any means, or stored in a database or retrieval system, without the prior written permission of Technologies HumanWare Inc.

CHAPTER 2: GETTING TO KNOW YOUR PRODIGI

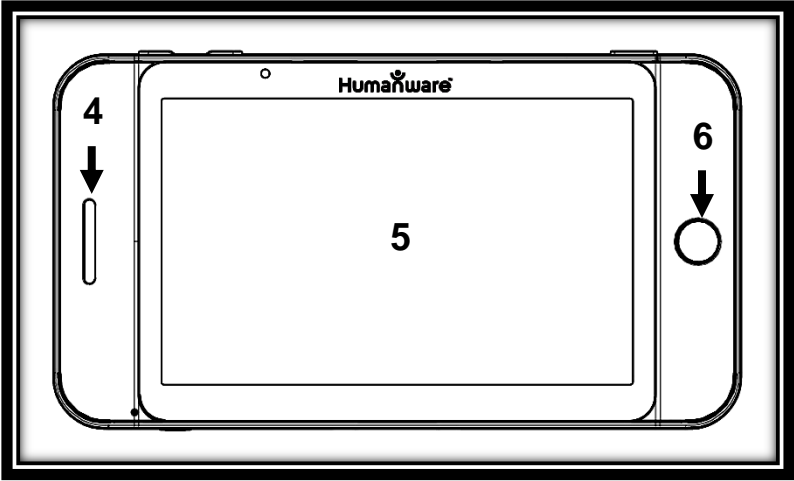
BOX CONTENTS

- Tablet
- Protective Carrying Case
- Power Supply
- USB Recharge Cable
- Reading Stand
- Unboxing Guide
- Getting Started Guide
- User Guide
- Warranty Sheet
- Cleaning Tissue
- DVD

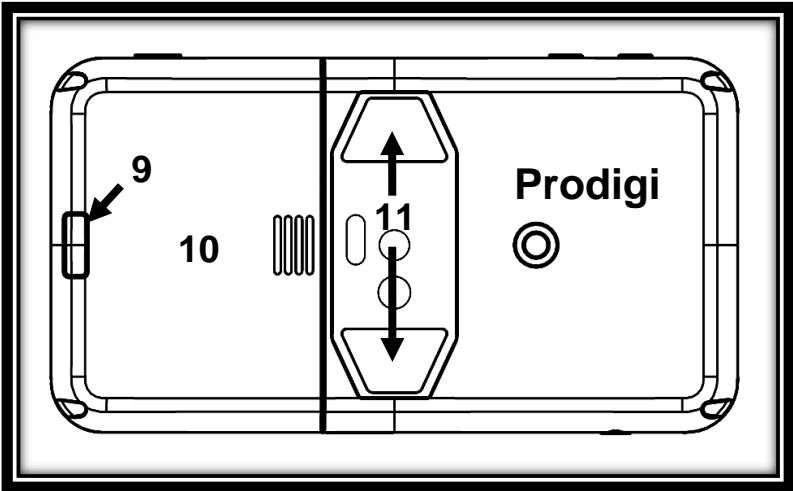
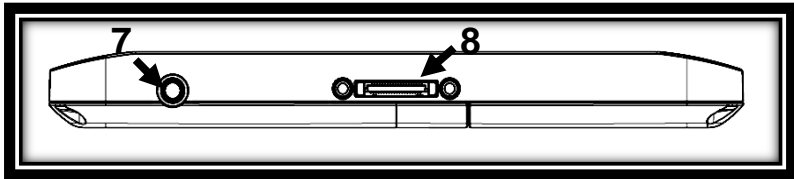
PRODIGI TABLET AT A GLANCE

Top Edge and Front Face





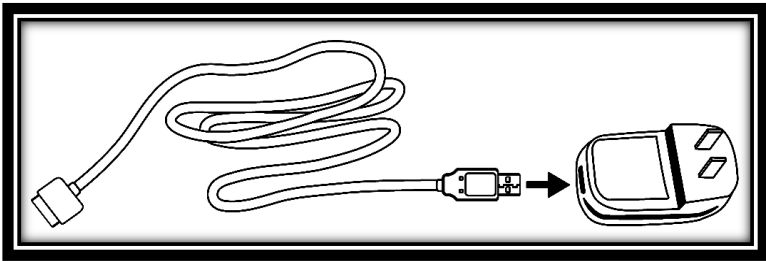
Bottom Edge and Back Side



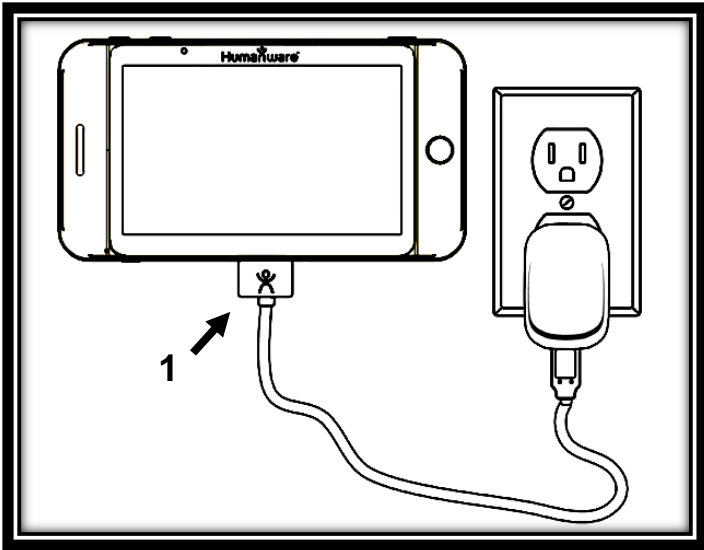
1. Plus-Minus keys
2. Power Button
3. Read Button
4. Speaker
5. Touchscreen
6. Back Button
7. Audio Port
8. Recharge Port
9. Release Button (for battery)
10. Battery Compartment
11. LED Lights (2)

SETTING UP

1. Connect the USB Recharge Cable to the Power Supply.

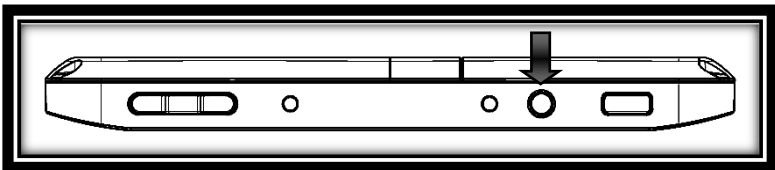


2. Hold the Tablet so that the screen side is facing you and the recharge port is aiming downwards. Make sure the tactile HumanWare logo on the recharge cable is facing you (1). Carefully connect the cable to the recharge port and plug it to an outlet.



IMPORTANT: Use caution while inserting the cable into the Recharge Port.

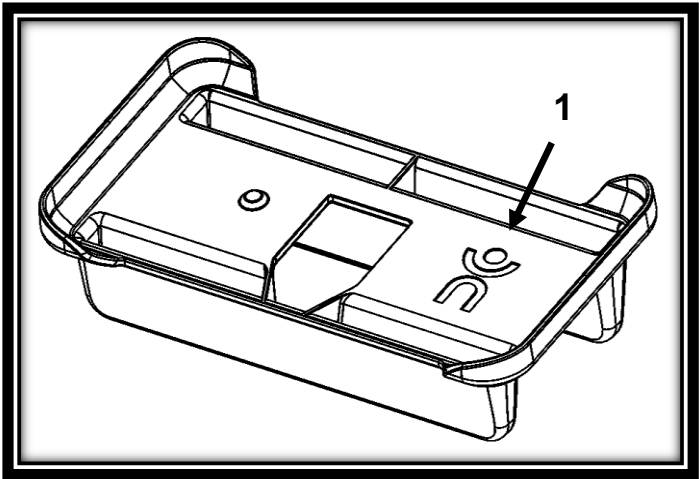
3. Let the Tablet recharge for 8 consecutive hours (initial charge).
4. Press Power to power on the Tablet. Prodigy will take about 1 minute to initialize. HumanWare's logo will appear on the screen, followed by Prodigy's startup screen.



CHAPTER 3: USING PRODIGI

MAGNIFYING

- Power on the Tablet.
- Hold the Tablet about 1 to 2 inches (3 to 5 cm) above the document or object you wish to view.
- It is recommended to use the Reading Stand to stabilize the Tablet above the document you wish to view. Make sure the tactile HumanWare logo on the Reading Stand is facing up (1) and that you place the Tablet **front face up** on the Reading Stand:



- Use the Plus-Minus keys to adjust the zoom level. To increase character size, press the **Plus** key (**the right one**). To decrease character size, press the **Minus** key (**the left one**).
- Move the Tablet (or slide the Reading Stand) above the object/document to find the information you are looking for.
- To toggle between **color**, **positive**, and **negative** contrasts, press and hold the Back button to access the Settings. Then, scroll down to select Contrast, and **tap (press your finger down quickly on the touchscreen)** to toggle between the different contrasts. Press Back to exit the Settings.

Note: You can either tap or use the Plus-Minus keys to toggle between different values in the Settings.

- By default, Prodigy will read aloud the Settings' menus, items, and values. To deactivate Speech, press and hold the Back button, select Speech, and tap. Press Back to return to your document.

- **Diamond Edge** contrast will become available once you freeze an image of what you are viewing. To freeze an image, press and hold the Read button. You will hear a clicking noise indicating that the document has been captured.
- Press Back to unfreeze the image.
- You can adjust the brightness of what you are viewing by accessing the Settings menu. Press and hold the Back button and select Brightness. Tap to adjust the brightness in percentage. Once you reach your desired brightness level, press Back or simply wait a few seconds to continue magnifying. Press and hold the Back button if you want to return to the Settings menu.

CAPTURING AND READING

- First, press and hold the Back button to access the Settings menu and tap to select Working Range: Full Page. Press Back to exit the Settings menu.

- Position the Tablet at 4 inches (10 cm) or more above the document you wish to capture and read.

Note: To see a complete letter-size page on the screen, position the Tablet at about 10 inches (25 cm) above your document.

- Press and hold the Read button to capture your document. You will hear a clicking noise indicating that the document has been captured.
- Press Read again to scroll and read aloud the text according to your reading preferences.
- To adjust the volume, use the Plus-Minus keys while reading.
- To pause, press Read.
- To resume, press Read again.

Note: Text can be presented in 3 different ways (Reading Modes): it can be transformed into a single line in the Line mode, a column in the Column mode, or you can read text without losing its configuration in the Page mode (default).

Two “greater than” inequality signs will mark the end of a paragraph in the Line and Column modes (>>). Prodigy will beep and announce “End of document” when you reach the end of your document; press Read to start reading from the beginning again.

- To set a different Reading Mode, press and hold the Back button to access the Settings menu and select Reading Mode. Tap to change your Reading Mode. Press Back to exit the Settings menu.
- You can increase the speech rate by **swiping to the left (sliding and releasing your finger to the left)** on the touchscreen, and decrease the speech rate by **swiping to the right**. Note that changing the speech rate will change the reading speed (text scrolling speed) accordingly.

Note: You can also increase or decrease the speech rate from the Settings. Press and hold the Back button, select Speech Rate,

and tap to change the value. Press Back multiple times to exit the Settings.

- To deactivate Speech, press and hold the Back button, select Speech and tap. When Speech is deactivated, you will be able to change the reading speed (text scrolling speed) by swiping left or right, or from the Settings (in the Visual menu and Text submenu). You can toggle back to Speech On by pressing and holding the Read button anywhere in the Settings menu.
- Prodigy contains 2 different voices that can be used to read aloud text documents. To select a different voice, press and hold the Back button, select Voice, and tap to toggle between the 2 reading voices. Press Back to return to your document. Make sure that the language of the selected voice is the same as in the document you want to read.
- Press Back to stop reading and return to camera view.

Note: If the captured image is too dark, blurry, or unfocused, you may want to turn on the camera's flash and capture a new image. Press and hold the Back button to access the Settings and select Flash. Tap to set it to On. Press Back to exit the Settings.

Turning on or off the camera's flash is only possible when the camera's Working Range is set to Full Page.

CHAPTER 4: SWITCHING TO STANDARD INTERFACE

Prodigi contains two different interfaces, Simple and Standard, which can be changed according to your specific needs. By default, Prodigi's interface is set to Simple (see previous chapter for more information). Prodigi's Standard interface allows you to perform more touch gestures, keep your documents in memory, and further customize your system.

To switch your interface to Standard:

- Press and hold the Back button to access the Settings, select All Settings and tap.
- Select General and tap.
- Tap again to change the User Interface. Select Yes, and tap to confirm.

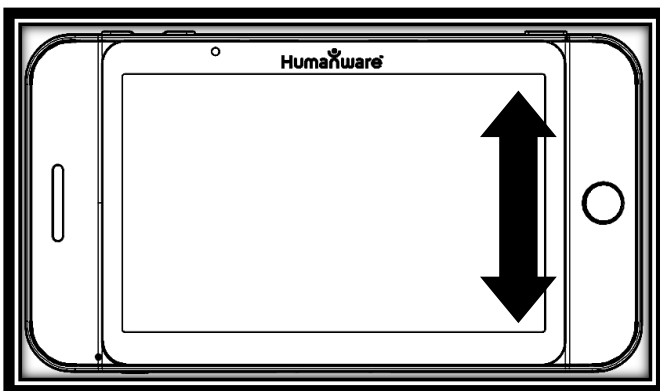
MAGNIFYING (STANDARD INTERFACE)

- After switching your interface to Standard, Prodigy will automatically launch the Magnifier.
- You can manipulate the Tablet, navigate in the text and adjust the brightness in the same way as on the Simple interface. See chapter 3 (section Magnifying) for more information.

- In addition to the Plus-Minus keys, you can use the **pinch and zoom** gesture to adjust the zoom level. **Decrease the distance between 2 fingers to zoom out, and increase the distance to zoom in:**



- In addition to changing the contrast from the Settings, you can toggle between **color, positive, and negative** contrasts by swiping on the right edge of the touchscreen:



- To freeze and save an image of what you are viewing, press and hold the Read button. It will be saved in the Gallery for future use. Press Back to unfreeze the image.

CAPTURING AND READING (STANDARD INTERFACE)

- First, press and hold the Back button to access the Settings menu and tap to select Working Range: Full Page. Press Back to exit the Settings menu.

Note: Manipulate the Tablet, navigate in the enlarged text, and adjust the brightness in the same way as on the Simple interface (see chapter 3, section Magnifying for more information). To toggle between the different contrasts, swipe on the right edge of the touchscreen or access the Settings (see previous section for more information).

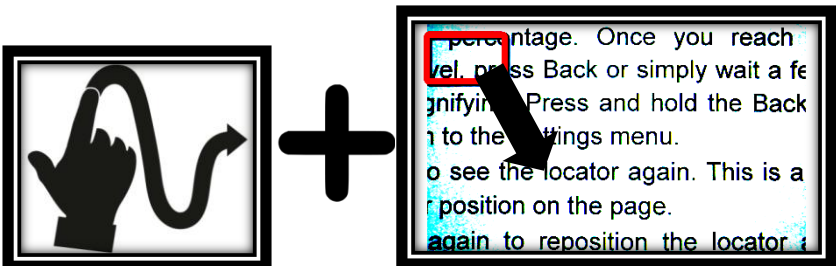
- Press and hold the Read button to capture and save your document. You will hear a clicking noise indicating that the document has been captured, and it will be saved in the Gallery for future use.
- Press Read again to scroll and read aloud the text according to your reading preferences.
- To pause, press Read or Back.
- To resume, press Read again.
- On the Standard interface, in addition to deactivating speech from the Settings, you can toggle between Speech On and Off when reading a document by doing a **double tap** gesture on the touchscreen (**tapping twice quickly with 1 finger**).
- You can change the speech rate or reading speed, adjust the volume, and select a different reading voice in the same way as on the Simple interface (see chapter 3, section Capturing and Reading).

- While paused, press Back to stop reading, and Back again to return to camera view.

Note: Turn on the camera's flash if necessary in the same way as on the Simple interface. See chapter 3 (section Capturing and Reading) for more information.

SPOT READING

- Once you have captured a document (either at Working Range: Close-up or Full Page), you will notice a rectangle frame on the top left corner. This is Prodigy's locator. Move the locator by **slowly moving your finger on the touchpad without lifting it (pan gesture)** to quickly reach a section of the document you want to read:



- Tap to enlarge the section delimited by the locator:



- When a section of a document is magnified, pan to reach other parts of the document.
- Press Back to see the locator again. This is a practical way to locate your position on the document.

USING THE CAROUSEL MENU

Prodigi has 3 main applications – Magnifier, Gallery, and Settings. They are presented one by one in the carousel menu:



To access the carousel menu from the Magnifier:

- Press Back to close the Magnifier and access the carousel menu.
- Prodigy will announce “Main Carousel” followed by the currently selected application. The currently selected application is positioned in the center of the screen:



- Swipe left or right in the carousel menu to select an application.
- To launch a selected application, simply tap.
- To cancel, press Back.

VIEWING SAVED DOCUMENTS

The Gallery contains all the documents you saved.

- Select and tap on the Gallery in the carousel menu:



- Swipe left or right in the Gallery to flip through your saved documents.
- The currently selected document is in the center of the screen. Prodigy will announce and indicate the first word contained in the currently selected document. If the document contains no words, Prodigy will tag it as an image.
- To open a selected document, simply tap.
- Move the locator to quickly reach a section of the document you want to magnify.
- Tap to see the section delimited by the locator at your preferred zoom level.

- You can toggle between color, positive, negative, and Diamond Edge™ (if the image contains text) contrasts, and adjust the brightness in the same way as with the Magnifier (see section Magnifying (Standard interface) for more information).
- Press Back to see the locator again.
- Press Back again to close a document and return to the Gallery. Once you close a document, Prodigy will remember your position and apply it automatically the next time you open the document.

Notes: Prodigy will announce “Gallery empty” if the Gallery contains no documents. The Gallery cannot contain more than 100 documents. Once you pass this number, you will be prompted to delete some documents from the Gallery before saving new ones.

To delete a document:

- In the Gallery, press and hold your finger down on the image you want to delete. You will be prompted 'DELETE?' and a red 'X' will appear. Tap to confirm, or press Back to cancel.



CHAPTER 5: CHOOSING YOUR CONTRAST

Prodigi allows you to view documents, pictures and objects in 3 types of contrast: **color**, **positive** or **negative**. For documents that contain text, a 4th type of contrast can be used: **Diamond Edge™**. Positive, negative, and Diamond Edge™ contrasts are enhanced; they are meant to enhance the original color of a document or object to facilitate your visual experience.

Color contrast is useful if you want to view documents, objects, and photographs in their original color.

Positive contrast shows text and images in 2 colors according to your selected color combination, the default combination being Black on White. This is a practical way to view text in the best color combination for your vision.

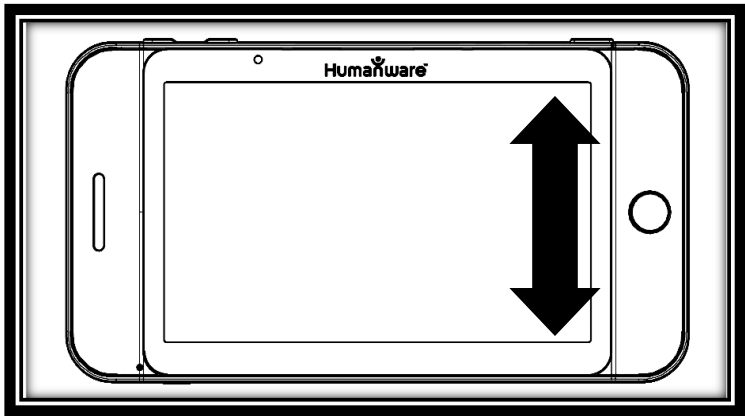
Negative contrast shows text and images in reversed contrast as compared to your selected color combination. For example, if your combination is Black on White, negative contrast will show text and images in White on Black. This is useful if you wish to reverse the contrast of a text that contains different contrasts.

Diamond Edge™ contrast combines the best of both worlds; it shows Diamond Edge Text™ in your selected color combination and images in their original color. This allows you to magnify text indefinitely without compromising its quality in the best color combination for your vision, while viewing

images in their original color on the same page.

To toggle between the different contrasts, press and hold the Back button to access the Settings, select Contrast, and tap to choose a contrast. Press Back to return to your document or object.

Prodigi's Standard interface also allows you to toggle between the different contrasts by swiping on the right edge of the touchscreen:



Note: The contrast cannot be changed while in Line or Column mode, or while viewing an image at 1x (Read View or Gallery).

CHAPTER 6: CHANGING YOUR SETTINGS

(Note: The values marked with a star (*) are default settings.)

To quickly configure your system while viewing a document, you can press and hold the Back button to access the Settings menu. The currently selected item is announced and highlighted by a rectangular frame. Scroll up or down to move the rectangle and select an item. The items will be read one at a time (by default). Tap or use the Plus-Minus keys to toggle the value. Press Back to return to your document.

The Settings menu lists the battery charge level and the most frequently used settings:

- **Working Range** (Camera's focus on work area): Close-up*, Full Page
- **Brightness** (Change the brightness of a live or captured image, except for 1x image in Read view and in Gallery): 0 to 100% (50%*)

- **Contrast:** Diamond Edge (if captured image contains text), Color*, Positive, Negative
- **Colors:** Black on White* (see list of 16 color pairs in main Settings below)
- **Reading Mode:** Page*, Column, Line
- **Speech:** On*, Documents only, Off
- **Speech Rate:** Very slow, Slow, Normal*, Fast, Very fast
- **Voice:** Voice 1*, Voice 2
- **Tablet Volume:** 0 to 15 (9*)
- **Headphone Volume** (when headphones are plugged): 0 to 15 (3*)
- **Flash** (Turn flash on or off when Working Range: Full Page is selected): On, Off*

You can further customize your system by selecting All Settings at the end of the Settings menu. With Prodigy's Standard interface, you can also access these Settings by selecting and opening the Settings application in the carousel menu:



The Settings contain 5 main menus: Visual, Audio, Gestures and Controls, General, and About. Scroll up or down in the Settings to select a menu. Prodigy will announce “submenu” if a selected menu contains submenus and display an arrow on the right edge of the screen. To open a menu or submenu, simply select it and tap or press the Plus key. Once you have reached the setting you want to modify, tap or use the Plus-Minus keys to change its value. Press Back to return to a previous screen.

VISUAL

The **Visual** menu contains 3 submenus:

1. Display contains the following settings:

- **Screen Brightness** (Change the screen’s brightness level): 1 to 100% (60%*)
- **Contrast:** Diamond Edge (if captured image contains text), Color*, Positive, Negative (see chapter 5)
- **Diamond Edge:** Always*, On Request (See chapter 5)

- **Colors** (Select from 16 color pairs): Black on White*, White on Black, Yellow on Black, Orange on Black, Cyan on Black, Purple on Black, Green on Black, Black on Green, Black on Purple, Black on Cyan, Black on Orange, Black on Yellow, Blue on Yellow, Yellow on Blue, White on Blue, Blue on Black
- **Locator Color** (change the locator's color): Red*, Orange, Yellow, Purple, Cyan, Green, Blue
- **Preferred Zoom** (change the locator's initial zoom level): 2 to 35x (4x*)

2. **Text** contains the following settings:

- **Reading Mode:** Page*, Column, Line
- **Reading Speed:** Very slow, Slow, Normal*, Fast, Very fast
- **Font Size:** Minimum, Small, Medium, Standard*, Large, Very large, Extra large, Maximum
- **Font Type:** Regular, Bold*

3. **Camera** contains the following setting:

- **Working Range** (Camera's focus on work area): Close-up*, Full Page

AUDIO

The **Audio** menu contains the following settings:

- **Tablet Volume:** 0 to 15 (9*)
- **Headphone Volume** (when headphones are plugged): 0 to 15 (3*)
- **Sounds:** On*, Off
- **Tablet Vibrations:** On*, Off
- **Speech:** On*, Documents only, Off
- **Speech Rate:** Very slow, Slow, Normal*, Fast, Very fast
- **Voice:** Voice 1*, Voice 2

GESTURES AND CONTROLS

The **Gestures and Controls** menu contains 1 item:

1. **Gestures** (Enable and disable gestures. By default, all gestures are deactivated on Simple interface and activated on Standard interface):

- **Swipe on right edge / Contrast:** Toggle between Color, Positive, Negative, and Diamond Edge™ contrasts (Note: The last selection will be saved in Prodigy's memory).
- **Pinch and Zoom:** Adjust the zoom level by decreasing or increasing the distance between 2 fingers.
- **Double tap / Speech:** Toggle between Speech On and Off by tapping twice quickly with 1 finger.
- **Tap / Zoom:** Press your finger down quickly (tap) to zoom at your preferred zoom level from the locator.

GENERAL

The **General** menu contains the following items:

- **User Interface:** Simple*, Standard
- **System Language:** Language 1*, Language 2 (Choices depend on country or region)

- **Wi-Fi Setup** (Help of a sighted person is required to configure wireless network)
- **Tablet Auto Shutoff:** 3 min*, 5 min, 10 min
- **Software Update** (see chapter 8)
- **Delete Gallery content** (Standard interface only): Permanently delete all files in Gallery.
- **Restore to Factory Defaults** (except for restoring the selected user interface)

ABOUT

The **About** menu contains the following items:

- **Software** (Version)
- **Tablet SN** (Serial Number)
- **Tablet Model**
- **Android** (Version)

CHAPTER 7: RECHARGING YOUR TABLET

Maximizing operating efficiency:

- In a working situation where you need the Tablet intermittently, you can enter Standby mode when you are not using the Tablet by pressing Power quickly. The screen will power off and a double-beep will be sounded.
- Exit Standby mode by pressing Power quickly again.
- If you will not be using the Tablet for the next few days, it is recommended that you power it off by pressing and holding the Power button.

Recharging the battery:

Press and hold the Back button to enter the Settings menu and to display the Tablet's battery charge level. Swiping upwards in the Settings menu from the first item will announce the charge level (if Speech is set to On in the Settings). If the battery charge level

is below 10%, it is recommended that you recharge the battery.

IMPORTANT: The battery becomes warm during recharging. Do not recharge the battery near a heat source.

To recharge the battery using mains electricity:

- Connect the USB Recharge Cable to the Tablet Power Supply. Then, carefully connect the USB Recharge Cable to the Tablet and plug the Power Supply to an outlet.
- Let the Tablet recharge for 8 hours the first time and for 4 hours subsequently.

To recharge the battery with a computer:

- First, press Power shortly to enter Standby Mode.
- Then, plug the USB recharge cable to a computer USB port.

Note: Please note that recharging the battery this way can take longer than by plugging it to an outlet.

- Press Power to exit Standby Mode.

Battery safety precautions:

- Do not disassemble or modify the battery.
- Use only the specified HumanWare charger.
- There is a risk of overheating, fire or explosion if the battery is put in a fire, heated, subjected to impact, put in contact with water, or if its terminals are shorted.

Replacing the battery:

Contact HumanWare or your authorized distributor to obtain a replacement battery.

- Power off the Tablet and unplug it from the outlet.
- Hold the Tablet up, its back side facing you.
- Press the release button near the left edge of the Tablet, and simultaneously slide the compartment door to the left to remove it.
- The battery's upper left edge has a tab. Use this tab to lift the used battery up.

Note: The model and serial numbers can be found under the battery.

- To insert the new battery: there are connector pins on the lower right edge of the battery. Insert the right edge first, and press gently on the left edge to snap the new battery in place.
- Slide the compartment door back on until the release button snaps back in place.

CHAPTER 8: SOFTWARE UPDATE

Before initiating a software update, the WI-FI network has to be configured with the help of a sighted person.

- Press and hold the Back button to access the Settings, and select All Settings. Tap to open. Select General and tap. Select WI-FI Setup and tap.
- Tap the OFF button on the top edge of the screen to switch it to ON.
- Tap on the network you wish to configure.

- To enter your password, tap on the blinking cursor. A keyboard will appear on the screen. Enter the password and tap on Done. Then, tap on Connect.
- Press Back twice to return to General in Prodigy's Settings.
- To initiate a software update, select Software Update and tap.

IMPORTANT: Make sure your system is connected to power before updating the software.

- Once the WI-FI connection is established, Prodigy will tell you whether your software is up to date or whether an update is available.
- If an update is available and you wish to install it, select Install and tap. If you wish to cancel, select Cancel and tap.
- If you chose to install the update, Prodigy will download the update and show the download progress in percentage.

- Once the download is complete, Prodigy will reboot and install the update automatically. Android's green logo will be shown on screen during the update.

CHAPTER 9: TROUBLESHOOTING

If the image on the screen is flickering while magnifying:

- Make sure that the Working Range is set to Close-up in the Settings.

If the screen is blank:

- Zoom out of the image for minimum magnification.
- The Tablet could be powered off or in Standby Mode. Press Power to power it on or to exit Standby Mode.

If colors are difficult to detect:

- Check if you have sufficient ambient light.
- Choose a different contrast or color combination in the Settings.
- Adjust the brightness level in the Settings.

If there is a lot of glare:

- Tilt object in a different direction to reduce glare.
- Reduce the brightness level in the Settings.
- Reduce external lighting effects.
- If the camera's flash is turned on and your captured image is too bright or uneven, turn off the flash in the Settings and capture a new image.

If the image/text is out of focus or blurry:

- Use the Plus-Minus keys to zoom in and then out of the image so as to trigger the camera's focus. If needed, capture a new image of your document.
- Make sure you hold the camera still while capturing an image.
- Turn on the camera's flash in the Settings and capture a new image.
- Make sure your Tablet is powered off, and wipe the LED lights and camera surface on the back side with your included cleaning tissue.

If the audio reading does not make sense:

- Make sure the voice setting is the same as your document's language. Change it in the Settings if necessary.

If the Tablet is not responding:

- Make sure the battery is not empty. Recharge it if necessary.

Other problems:

- Restore factory defaults in the Settings.
- Press and hold the Power button for 10 seconds and release. Wait 30 seconds, and press Power again.
- Power off the Tablet, remove the battery, and install it back again.
- Contact your dealer or technical support.

APPENDIX A: SAFETY AND MAINTENANCE

Safety Instructions:

The user must not stare at the 2 LED light sources that are located on the back side of the Tablet.

Keep away from water or high humidity. Do not submerge.

Power off your Prodigy before cleaning it.

Use only cables provided with your Prodigy.

This product should be operated from the type of power indicated on the marking label. If you are unsure of the type of power available, consult your dealer or local power company.

Only use your Prodigy indoors. Do not expose it to sudden or extreme changes in temperature or humidity conditions. This product should not be placed near a heat source or exposed to direct sun light for a prolonged period of time.

Refer all servicing of this product to qualified service personnel. Do not attempt to service it yourself, as opening or removing covers may expose you to dangerous voltage points or other risks.

Susceptibility to Interference:

There may be temporary degradation of the image when Prodigy is subjected to a strong radio-frequency field, electro-static discharge or transient electrical noise. An electro-static discharge (caused by static electricity) may cause the screen to go blank. If this happens, power the system off and on again.

Warning RF Exposure Compliance:

The antenna(s) used for this transmitter must be installed to provide a separation distance of at least 1 cm from all persons and must not be co-located or operating in conjunction with any other antenna or transmitter. Users and installers must be provided with antenna installation instructions and transmitter operating conditions for satisfying RF exposure compliance.

FCC / Industry Canada Two Part Stmt:

This device complies with FCC Part 15 and Industry Canada license exempt RSS standard(s). Operation is subject to the following two conditions: (1) this device may not cause interference, and (2) this device must accept any interference, including interference that may cause undesired operation of the device.

Per Industry Canada RSS rules:

This device complies with Health Canada's Safety Code. The installer of this device should ensure that RF radiation is not emitted in excess of the Health Canada's requirement. Changes or modifications not expressly approved by the party responsible for compliance could void the user's authority to operate the equipment.

FCC and Industry Canada identification numbers:

FCC ID: XT5PGITAB

IC: 8760A-PGITAB

These identification numbers are printed on the permanent label located in the battery compartment. Remove the battery to see the label.

FCC Warning:

This equipment has been tested and found to comply with the limits for a Class B digital device, pursuant to part 15 of the Federal Communications Commission (FCC) Rules. These limits are designed to provide reasonable protection against harmful interference in a residential installation. This equipment generates and can radiate radio frequency energy and, if not installed and used in accordance with the instructions, may cause harmful interference to radio communications. However, there is no guarantee that interference will not occur in a particular installation. If this equipment causes harmful interference to radio or television reception, which can be determined by turning the equipment off and on, you are encouraged to try to correct the interference by one or more of the following measures:

Reorient or relocate the receiving antenna.

Increase the space between the equipment and receiver.

Connect the equipment to an outlet on a circuit different from that to which the receiver is connected.

Consult your dealer or an experienced radio/TV technician for help.

Maintenance and Disposal Instructions:

Wipe your Prodigy's surfaces with a soft and dry cloth.

At the end of Prodigy's operational lifetime, its internal components must be disposed in compliance with local authorities.

Prodigi contains no hazardous materials. For disposal, return to HumanWare or follow local governing ordinances or hospital procedure.

APPENDIX B: SPECIFICATIONS

Operating Conditions:

- **Temperature:** 0 to 35 °C / 32 to 95 °F
- **Humidity:** 5 to 95%

Transport and Storage Conditions:

- **Temperature:** -20 to 60 °C / -4 to 140 °F
- **Humidity:** 5 to 95%

Power Supply:

- **Tablet Input Voltage:** 5 V

APPENDIX C: WARRANTY

HumanWare warrants Prodigy, effective from the date of delivery, to be free of any defects in material and workmanship for a period of 1 year unless otherwise required by law in the country or region of purchase.

This warranty is non-transferable and applies to all cases where the damage is not a result of improper use, mistreatment, or negligence. Improper use is use of this device other than described in this manual. In no event shall HumanWare or its distributors be liable for indirect or consequential damages.

No replacement or repair covered by the warranty will be carried out unless the system is accompanied by a copy of the original bill of purchase. Please keep your original receipt. If the system has to be returned, please use the original packaging.

[End of document VER-10-2014-11-28]

Customer support

For customer support, please contact the HumanWare office nearest you or visit our Website at:
www.humanware.com/prodigi_support

Global: support@humanware.com

North America: 1 (800) 722-3393
us.support@humanware.com

Europe: (0044) 1933 415 800
eu.support@humanware.com

Australia / Asia: (02) 9686 2600
au.sales@humanware.com