



Model: S-KW258SL

2.4G wireless solar keyboard

Installation & User's Guide



Version:A1 2014-08-22

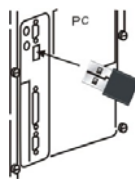
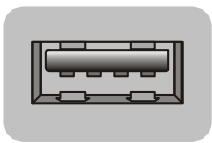
1. Overview

- 2.4GHz Wireless Technology range up to 5-10M
- Exquisite mini USB receiver
- USB Nano Receiver
- Plug and play with Windows 2000/ME/XP/NT/VISTA/7

2. INSTALLATION

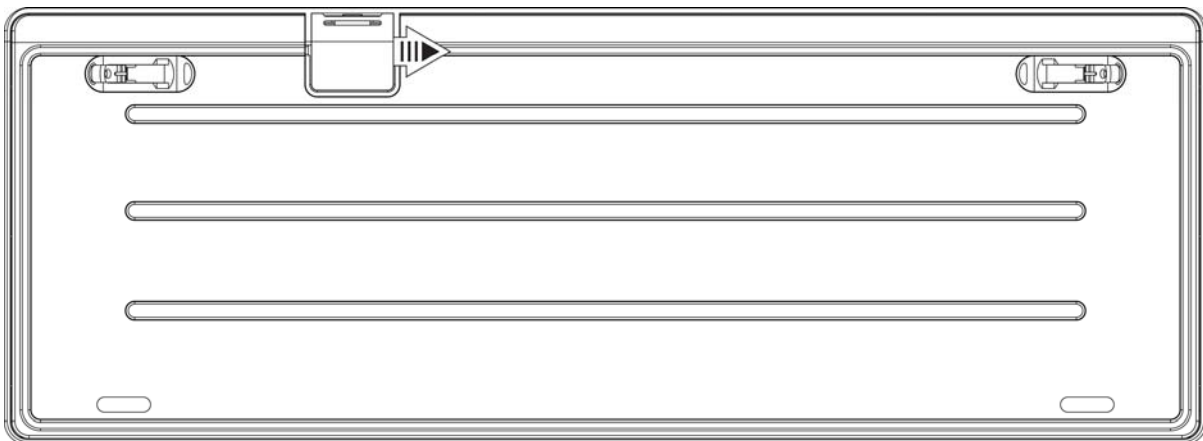
STEP 1:

Connect the USB receiver to an open USB port on your computer or to a port on an additional USB hub. The computer will prompt “find a new hardware”. This indicates that the receiver is connected and functioning.



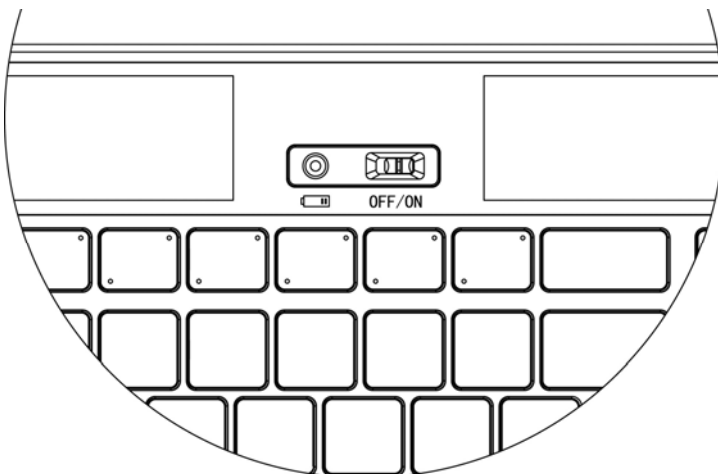
STEP 2:

Take out of the battery insulation sheet behind the keyboard .



STEP 3:

Please turn on the power switch.





You are now ready to begin using your wireless keyboard

If you don't want to use it, please turn off the power switch and unplug the dongle

HOT KEYS GUIDE:

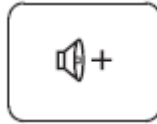
Following is a guide showing all the hot keys that are preset in this keyboard.



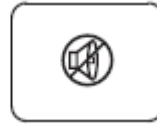
Web/Home



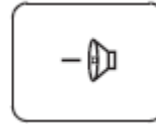
Sleep



Volume+



Mute

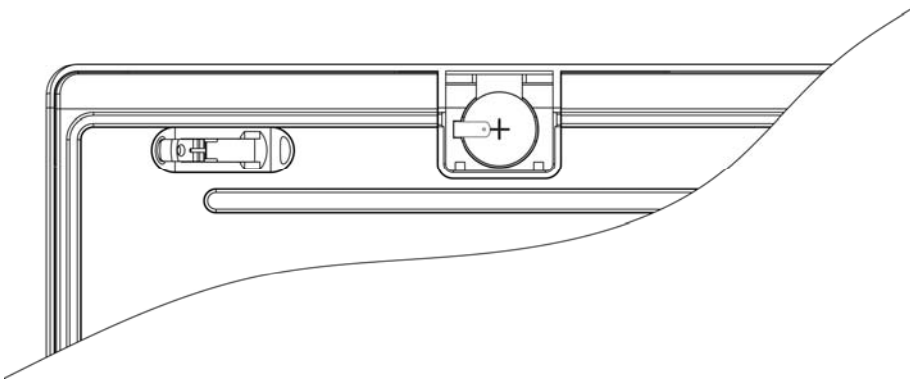


Volume-

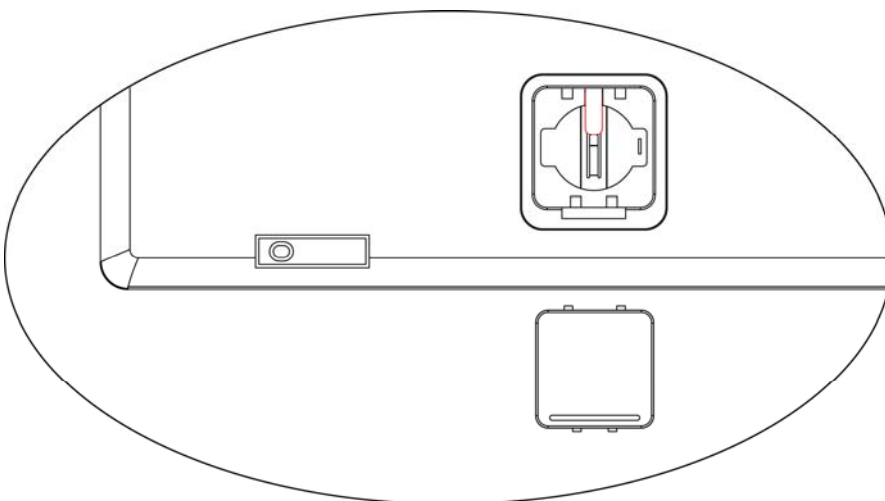
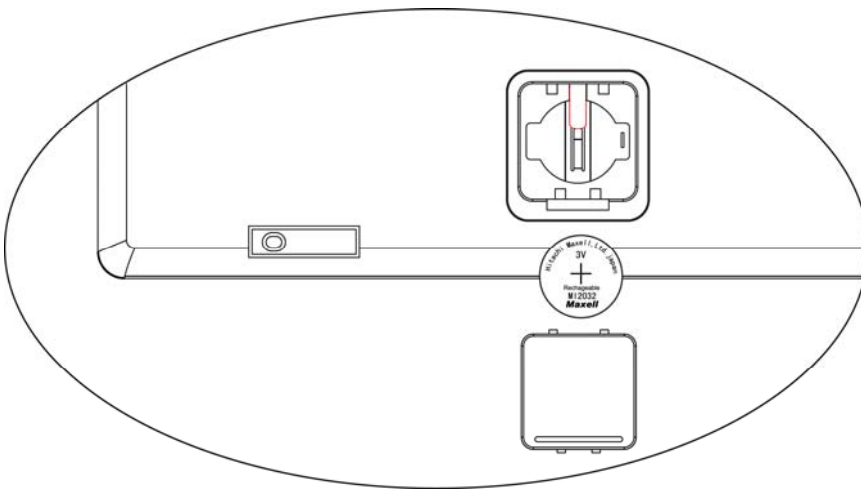
3. Charge Description

- When the battery is fully charged, it can power the keyboard for two months under complete darkness.
- When the light intensity is 200LUX (about two meters away from the window), the charging current of the solar panel is 0.6mA..
- When the light intensity is 100000LUX (in direct sunlight at noon), the charging current of the solar panel is 60mA.
- When the light intensity is 100,000 LUX , the battery can be fully charged in three hours.
- In order to maintain enough battery charge, when not use the keyboard, do try to place it in the sun or anywhere indoor light is sufficient. It's better to put the keyboard at a distance of not more than 9 feet (3 meters) from windows where direct sunlight is available. Do not worry, the keyboard can absorb light even when turned off.
- After three years' usage, please replace the battery (MAXELL ML2032) as shown below:

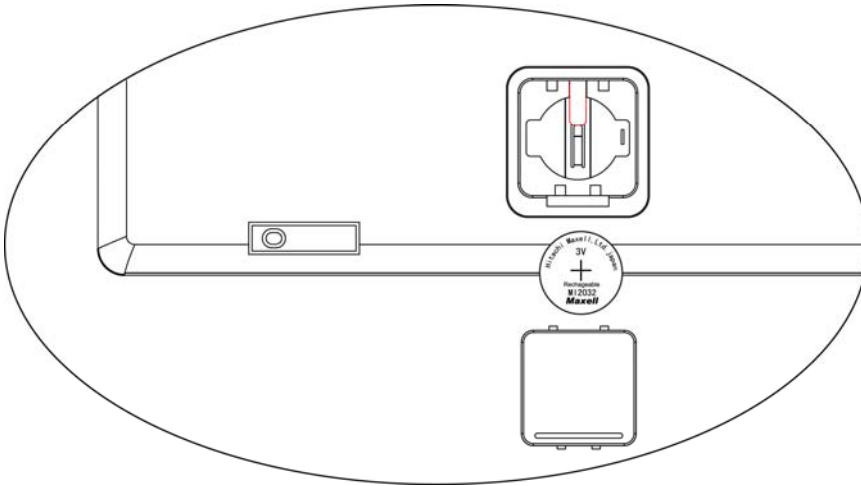
- 1) Open the battery cover



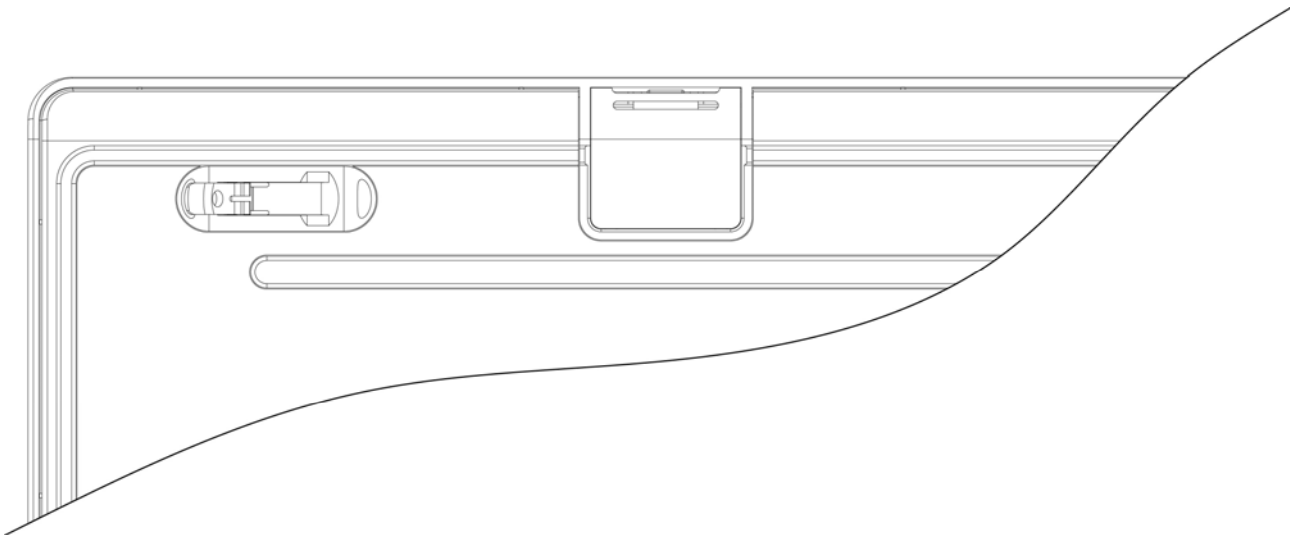
2) Take out the old battery



3) Put new battery into battery slot



4) Close the battery cover



4. Disposal



If possible, dispose of the used appliance at a recycling centre. Do not dispose of the used appliance with the household waste.

5. Safety

- Never try to open or to repair this product yourself.
- Keep this appliance away from fluids, such as water.

6. Copyright

- Reproduction of this manual or any part of it is prohibited without permission from Sunday Electronics Technology co., Ltd.



Changes or modifications not expressly approved by the party responsible for compliance could void the user's authority to operate the equipment.

This equipment has been tested and found to comply with the limits for a Class B digital device, pursuant to Part 15 of the FCC Rules. These limits are designed to provide reasonable protection against harmful interference in a residential installation. This equipment generates uses and can radiate radio frequency energy and, if not installed and used in accordance with the instructions, may cause harmful interference to radio communications. However, there is no guarantee that interference will not occur in a particular installation. If this equipment does cause harmful interference to radio or television reception, which can be determined by turning the equipment off and on, the user is encouraged to try to correct the interference by one or more of the following measures:

- Reorient or relocate the receiving antenna.
- Increase the separation between the equipment and receiver.
- Connect the equipment into an outlet on a circuit different from that to which the receiver is connected.
- Consult the dealer or an experienced radio/TV technician for help

This device complies with part 15 of the FCC rules. Operation is subject to the following two conditions (1) this device may not cause harmful interference, and (2) this device must accept any interference received, including interference that may cause undesired operation.