

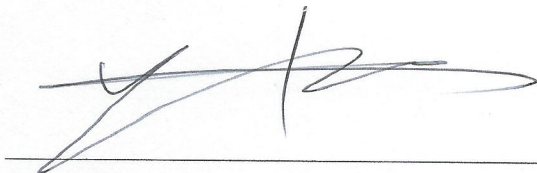
# CONFORMANCE TEST REPORT

## FCC Part 15 Subpart B

Report No. : KSQ-FCC150403  
Date of Issue : April 09, 2015  
Model / Type No. : HD-W300T  
FCC ID : XQ8HD-W300T  
IC ID : 11273A-HDW300T  
Variant Model / Type No. : N/A  
Kind of Product : Wireless Full HD Sender Transmitter  
Applicant Name : I DO IT Co., Ltd.  
Applicant Address : #637, Smart-Hub Industry-University Convergence Center, 237 Sangidaehak-ro, Siheung-si, Gyeonggi-do, Korea(429-793)  
Manufacturer Name : I DO IT Co., Ltd.  
Manufacturer Address : #637, Smart-Hub Industry-University Convergence Center, 237 Sangidaehak-ro, Siheung-si, Gyeonggi-do, Korea(429-793)  
Received Date : December 17, 2014  
Test Period : Start : April 02, 2015 End : April 03, 2015  
Test Result :  In Compliance  Not in Compliance  
Applicable Standard : ANSI C63.4-2009  
ICES-003

Test by

Reviewed By



Won-Sang, Yoon  
EMC Test Engineer



Young-Ryul, Jo  
EMC Technical Manager

## TABLE OF CONTENTS

1. Calibration Detail of Equipment Used for Measurement .....	3
2. Laboratory Information .....	3
3. General Product Description .....	4
4. Device Modification .....	4
5. EUT Configuration(s) .....	5
6. EUT Operating Mode(s) .....	6
7. Configurationm of Test System .....	6
8. Measurement Uncertainty .....	7
9. Emission Test Regulations .....	8
10. Conducted Disturbance Voltage .....	9
11. Radiated Electric Field Emissions .....	10
APPENDIX A - Test Setup Photographs .....	11
APPENDIX B - Test Data .....	13
APPENDIX C - EUT Photographs .....	30

## 1. Calibration Detail of Equipment Used for Measurement

Test equipment and test accessories are calibrated on regular basis. The maximum time calibrations is one year is recommended by the manufacturer, whichever is less. All test equipment calibrations are traceable to the Korea Research Institute of Standards and Science (KRISS), therefore, all test data recorded in this report is traceable to KRISS.

## 2. Laboratory Information

### -Address

Korea Standard Quantity Laboratory  
 #102, Jangduk-dong, Hwasung-si, Gyeonggi-do, 445-855, Korea  
 Tel : +82-31-356-7333  
 FAX : +82-31-356-7303  
 Homepage : [www.ksq.kr](http://www.ksq.kr)

### - Laboratory Accreditations and Listings

FCC Registration No. : 100384  
 KCC Registration No. : KR0024



### 3. General Product Description

#### 3.1 Tested Equipment

■ Unless otherwise indicated, all test were conducted on Model HD-W300T.

#### 3.2 Equipment Size, Mobility and Identification

Dimensions : 195(H) x 28(W) x 103(D) cm

Weight : 250 g

Mobility :  Hand-held     Table-top     Built-in  
 Traveling     Floor-standing

Serial No. : Prototype

#### 3.3 Electrical Ratings or Specification

Input : AC 100-240 V, 50/60 Hz, 0.8A MAX (Adapter)

Video Decoder : H.264 Baseline Profile, Main High Profile.

Up to Full HD 1920 x 1080

Video Encoder : H.264 Baseline Profile, Constrained Baseline Profile.

Up to Full HD 1920 x 1080

WiFi Connection : Auto Scan / Pairing

Video Resolutions : 480p, 720p, 1080i/p (30/60fps)

Wireless Standard : IEEE 802.11n compliant

Frequency : 5.150 ~ 5.350 GHz, 5.725 ~ 5.850 GHz

#### 3.4 Test Voltage and Frequency

Unless indicated otherwise on the individual data sheet or test result, the test voltage and frequency was as indicated below.

Voltage : 120 Vac

Frequency : 50 Hz

### 4. Device Modifications

Amendments of Product : 1. Inside varnish paint

2. Inside attach EMI Shielding Gaskets

## 5. EUT Configuration(s)

See Appendix A for individual test set-up configuration(s). The following peripheral devices and/or interface cable were connected during the measurement:

### ■ Peripheral Devices

Description	Model Number	Serial Number	Manufacturer
Wireless Full HD Sender Receiver	HD-W300R	-	I DO IT Co., Ltd.
Adapter1	CW1202000	-	-
Adapter2	CW1202000	-	-
Notebook	VOSTRO 3350	-	DELL
Adapter3	LA65NE1-01	-	DongguangLitePower2ndPlant
Monitor	W2453VQV	-	LG
Remote Control	-	-	I DO IT Co., Ltd.
IR-Flasher	-	-	I DO IT Co., Ltd.
USB Memory	-	-	Sandisk

### ■ Cable Description

#	Description	Length (m)	Ferrite Core	Other Details
1	HDMI1	1.5	Y	From EUT To Notebook
2	HDMI2	1.5	Y	From Wireless Full HD Sender Receiver To Monitor
3	IR-OUT	1.4	N	-
4	LAN	10	N	From EUT To Wireless Full HD Sender Receiver
5	AUDIO1	1.2	N	From EUT To Notebook
6	AUDIO2	1.2	N	From Wireless Full HD Sender Receiver To Monitor
7	USB	0	-	From EUT To USB Memory
8	D-SUB	1.3	Y	From EUT To Notebook
9	COMPONENT	1.2	N	From Wireless Full HD Sender Receiver To Monitor
10	AV	1.4	N	From Wireless Full HD Sender Receiver To Monitor



## 6. EUT Operating Mode(s)

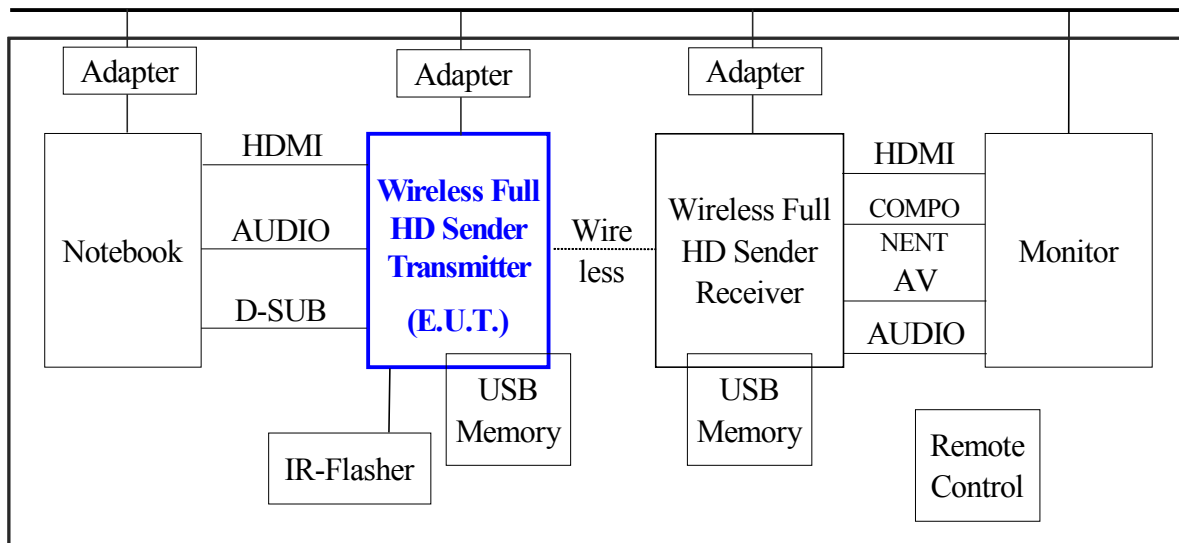
EUT was under test was operated during the measurement under the following conditions:

- Standby
- Scrolling 'H'
- Display circles pattern
- Resd / Write
- Practice operation - Operating Mode

## 7. Configuration of Test System

< Wireless Mode >

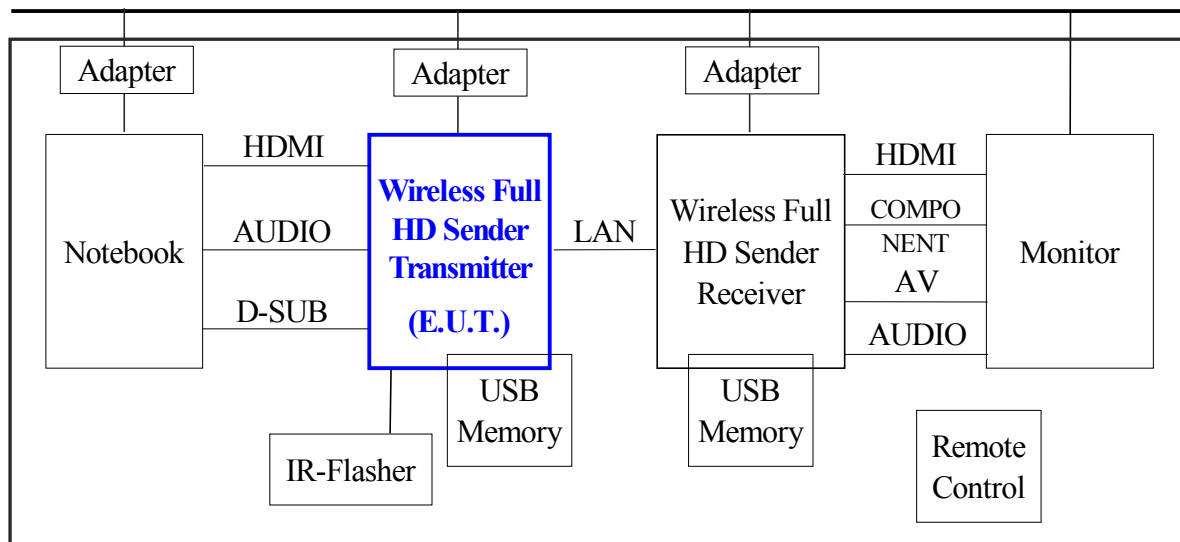
120 Vac, 50Hz



< Streamline Mode >

Wooden Table

120 Vac, 50Hz



Wooden Table

## 8. Measurement Uncertainty

The Korea Standard Quality Laboratory test facilities are designed testing laboratory according to ISO/IEC 17025 by NATIONAL RADIO RESEARCH AGENCY.

Compliance of the product is based on the measured value.

However, the measurement uncertainty is included for information purposes.

The measurement uncertainties given below are based on a standard uncertainty multiplied by a coverage factor of  $k=2$ , providing a level of confidence of approximately 95 %.

Measurement Type	Frequency Range	Expanded Uncertainty
Conducted Emission	150 kHz to 30 MHz	$\pm 1.56$ dB
Radiated Emission	30 MHz to 1 000 MHz	$\pm 4.87$ dB
	1 000 MHz to 6 000 MHz	$\pm 4.33$ dB

## 9. Emissions Test Regulations

The emissions tests were performed according to following regulations :

- EMC - Directive 2004/108/EC
- 
- EN 61000-6-3:2007+A1:2011
- EN 61000-6-4:2007+A1:2011
- EN 55011:2009+A1:2010       Group 1       Group 2  
 Class A       Class B
- 
- EN 60034-1:2010
- EN 55014-1:2006+A1+A2:2011
- EN 55015:2006+A1+A2:2009
- EN 61326-1:2006       Class A       Class B
- EN 55022:2010       Class A       Class B
- EN 61000-3-2:2006+A1+A2:2009
- EN 61000-3-3:2008
- EN 61800-3:2004+A1:2012       Category C1       Category C2  
 Category C3       Category C4
- 
- FCC Part 15 Subpart B       Class A       Class B
- 
- CISPR 11 :2003+A1+A2:2006       Group 1       Group 2  
 Class A       Class B
- CISPR 22:2008       Class A       Class B
- CISPR 14-1:2005+A1+A2:2011
- CISPR 15:2005+A1+A2:2008



## 10. Conducted Disturbance Voltages

### Test Date and Condition

Date	April 01, 2015	Temperature:	22.8 °C	Humidity	50 %
------	----------------	--------------	---------	----------	------

### Test Location

Shield Room

### Test Equipment

	Description	Manufacturer	Model Number	Serial Number	Cal. Due
■	TEST Receiver	ROHDE & SCHWARZ	ESPI	101014	2015.08.05
■	LISN	Kyoritsu	KNW-407	8-1010-14	2015.06.09
■	LISN	ROHDE & SCHWARZ	ENV216	101732	2016.03.01
■	ISN	Schwarzbeck	NTFM 8158 ISN CAT3 8 Wire	8158-0022	2016.03.01
■	ISN	Schwarzbeck	NTFM 8158 ISN CAT5 8 Wire	8158-0032	2016.03.01
■	ISN	Schwarzbeck	NTFM 8158 ISN CAT6 8 Wire	8158-0030	2016.03.01

### Frequency Range of Measurement

150 kHz to 30 MHz

### Test Results

The requirements are :  MET       NOT MET       NOT APPLICABLE

### ■ Main Ports

Frequency (MHz)	Corrected Amplitude(dBuV)	Margin(dB)	QP / AV	Remark
0.18	47.15	7.34	AV	

### ■ Communication Ports

Frequency (MHz)	Corrected Amplitude(dBuV)	Margin(dB)	QP / AV
0.49	59.34	4.83	AV

### Remark

Streamline Mode is worse than Wireless Mode. Test Result is Streamline Mode.

HDMI Mode is the worst case of all mode. Test Result is HDMI Mode.

CAT3 Mode is the worst case of all mode. Test Result is CAT3 Mode.

See Appendix B for test data.

## 11. Radiated Electric Field Emissions

### Test Date and Condition

10 M OATS

Date	April 02, 2015	Temperature:	6.4 °C	Humidity	40 %
------	----------------	--------------	--------	----------	------

3 M SAC

Date	April 02, 2015	Temperature:	20.8 °C	Humidity	51 %
------	----------------	--------------	---------	----------	------

### Test Location

10 M OATS

### Test Equipment

	Description	Manufacturer	Model Number	Serial Number	Cal. Due
■	Bi-log Antenna	Schwarzbeck	VULB9160	3311	2015.11.21
■	TEST RECEIVER	ROHDE & SCHWARZ	ESPI	101014	2015.08.05
■	AMPLIFIER	SONOMA INSTRUMENT	310N	251847	2015.05.01
■	Horn Antenna	Schwarzbeck	BBHA9120D	831	2016.07.21
■	EMI TEST Receiver	LIG Nex1	LSA-265	L07098033	2015.12.11
■	Pre Amplifier	GTC	GA-1825A	GT0929/003	2015.06.01

### Frequency Range of Measurement

30 MHz to 1000 MHz, 1000 MHz to 6000 MHz

### Test Results

The requirements are :  MET  NOT MET  NOT APPLICABLE

#### ■ Below 1 000 MHz

Frequency (MHz)	Polar.	Corrected Amplitude (dBuV/m)	Margin(dB)	Remark
57.12	H	35.27	4.73	

#### ■ Above 1 000 MHz

Frequency (MHz)	Polar.	PK/AV	Corrected Amplitude (dBuV/m)	Margin(dB)	Remark
1186.50	V	AV	45.76	4.24	

### Remark

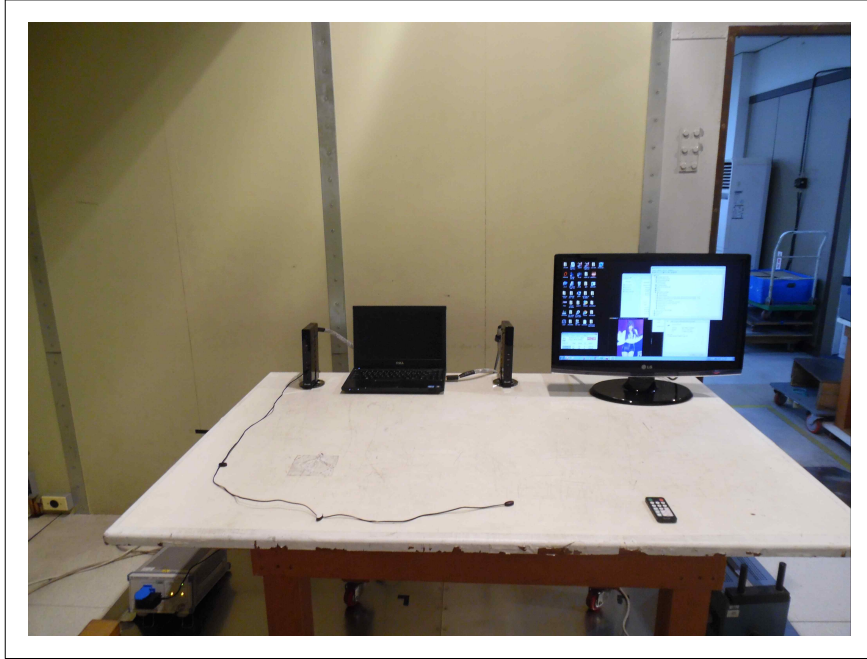
Wireless Mode is worse than Streamline Mode. Test Result is Wireless Mode.

HDMI Mode is the worst case of all mode. Test Result is HDMI Mode.

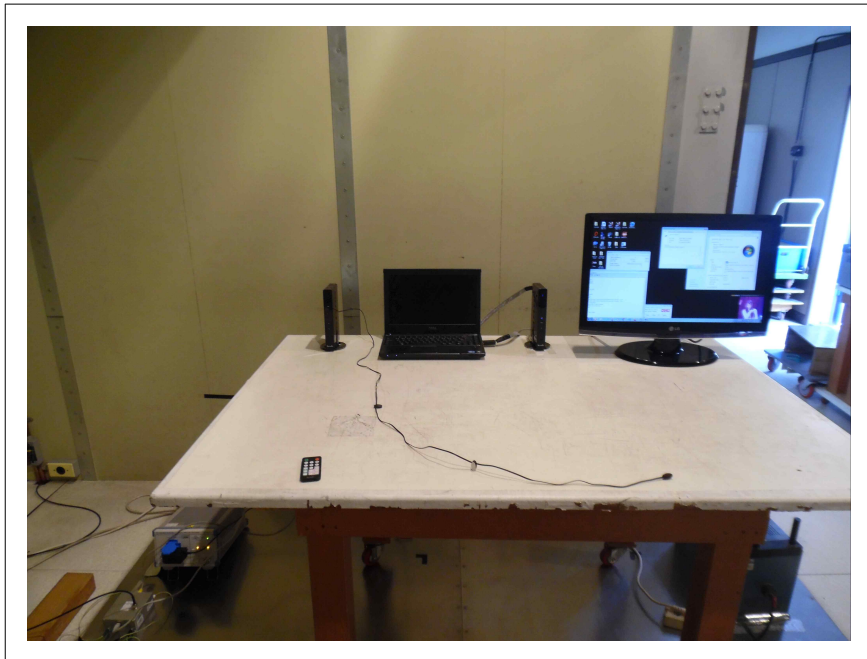
See Appendix B for test data.

## APPENDIX A - Test Setup Photographs

### Conducted Disturbance Voltage (Main Port)



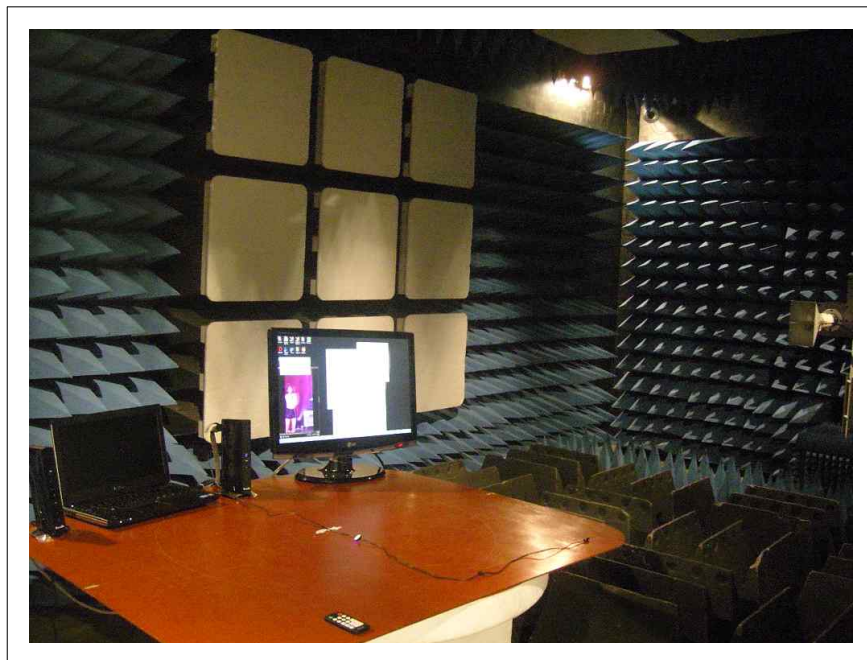
### Conducted Disturbance Voltage (Communication)



**Radiated Electric Field Emissions (Below 1000 MHz)**



**Radiated Electric Field Emissions (Above 1000 MHz)**



## APPENDIX B - Test Data

### ■ Conducted Disturbance Voltage (Main Ports)

#### Wireless Mode (D-SUB)

Freq. (Mhz)	Correction Factor		Phase	FCC Part 15 Class B							
	LISN	Cable		Quasi-Peak			Average			QP Margin	Average Margin
				Limit (dBuV)	Indicated Amplitude (dBuV)	Corrected Amplitude (dBuV)	Limit (dBuV)	Indicated Amplitude (dBuV)	Corrected Amplitude (dBuV)		
0.17	9.65	0.58	N	64.96	53.62	53.62	54.96	45.68	45.68	11.34	9.28
0.18	9.61	0.55	H	64.49	52.64	52.64	54.49	46.57	46.57	11.85	7.92
0.24	9.63	0.49	H	62.10	45.82	45.82	52.10	37.65	37.65	16.28	14.45
0.33	9.63	0.61	N	59.45	43.65	43.65	49.45	36.20	36.20	15.80	13.25
0.34	9.63	0.61	H	59.20	43.26	43.26	49.20	36.31	36.31	15.94	12.89
0.41	9.64	0.60	N	57.65	40.88	40.88	47.65	33.55	33.55	16.77	14.10
0.55	9.64	0.58	H	56.00	41.88	41.88	46.00	28.53	28.53	14.12	17.47
0.73	9.64	0.58	N	56.00	39.68	39.68	46.00	25.74	25.74	16.32	20.26
1.02	9.65	0.63	H	56.00	40.65	40.65	46.00	34.32	34.32	15.35	11.68
1.03	9.65	0.62	N	56.00	40.85	40.85	46.00	34.05	34.05	15.15	11.95
1.67	9.65	0.59	H	56.00	42.58	42.58	46.00	24.69	24.69	13.42	21.31
1.69	9.66	0.59	N	56.00	43.20	43.20	46.00	27.12	27.12	12.80	18.88



**Wireless Mode (USB)**

Freq. (Mhz)	Correction Factor		Phase	FCC Part 15 Class B							
	LISN	Cable		Quasi-Peak			Average			QP Margin	Average Margin
				Limit (dBuV)	Indicated Amplitude (dBuV)	Corrected Amplitude (dBuV)	Limit (dBuV)	Indicated Amplitude (dBuV)	Corrected Amplitude (dBuV)		
0.18	9.64	0.55	N	64.49	53.24	53.24	54.49	44.69	44.69	11.25	9.80
0.19	9.62	0.53	H	64.04	53.24	53.24	54.04	46.53	46.53	10.80	7.51
0.25	9.63	0.49	H	61.76	45.98	45.98	51.76	37.25	37.25	15.78	14.51
0.34	9.63	0.61	N	59.20	44.31	44.31	49.20	35.89	35.89	14.89	13.31
0.35	9.63	0.61	H	58.96	42.68	42.68	48.96	36.04	36.04	16.28	12.92
0.42	9.64	0.59	N	57.45	39.88	39.88	47.45	34.02	34.02	17.57	13.43
0.57	9.64	0.58	H	56.00	42.27	42.27	46.00	29.61	29.61	13.73	16.39
0.81	9.65	0.57	N	56.00	38.62	38.62	46.00	24.75	24.75	17.38	21.25
1.09	9.65	0.61	N	56.00	39.96	39.96	46.00	35.51	35.51	16.04	10.49
1.13	9.65	0.60	H	56.00	41.52	41.52	46.00	33.56	33.56	14.48	12.44
1.72	9.67	0.59	N	56.00	42.48	42.48	46.00	27.26	27.26	13.52	18.74
1.84	9.66	0.61	H	56.00	43.25	43.25	46.00	25.02	25.02	12.75	20.98



**Wireless Mode (HDMI)**

Freq. (Mhz)	Correction Factor		Phase	FCC Part 15 Class B							
	LISN	Cable		Quasi-Peak			Average			QP Margin	Average Margin
				Limit (dBuV)	Indicated Amplitude (dBuV)	Corrected Amplitude (dBuV)	Limit (dBuV)	Indicated Amplitude (dBuV)	Corrected Amplitude (dBuV)		
0.18	9.61	0.55	H	64.49	52.64	52.64	54.49	45.96	45.96	11.85	8.53
0.20	9.62	0.50	N	63.61	51.28	51.28	53.61	43.16	43.16	12.33	10.45
0.26	9.63	0.52	H	61.43	46.03	46.03	51.43	37.72	37.72	15.40	13.71
0.33	9.63	0.61	H	59.45	41.87	41.87	49.45	36.23	36.23	17.58	13.22
0.40	9.64	0.60	N	57.85	43.28	43.28	47.85	35.52	35.52	14.57	12.33
0.49	9.64	0.57	N	56.17	38.82	38.82	46.17	33.85	33.85	17.35	12.32
0.59	9.64	0.58	H	56.00	43.24	43.24	46.00	29.94	29.94	12.76	16.06
1.02	9.65	0.63	N	56.00	37.76	37.76	46.00	24.28	24.28	18.24	21.72
1.13	9.65	0.60	N	56.00	40.62	40.62	46.00	35.24	35.24	15.38	10.76
1.18	9.65	0.59	H	56.00	40.95	40.95	46.00	34.06	34.06	15.05	11.94
1.74	9.67	0.60	N	56.00	41.36	41.36	46.00	28.20	28.20	14.64	17.80
1.82	9.66	0.61	H	56.00	43.38	43.38	46.00	24.16	24.16	12.62	21.84

**Streamline Mode (D-SUB)**

Freq. (Mhz)	Correction Factor		Phase	FCC Part 15 Class B							
	LISN	Cable		Quasi-Peak			Average			QP Margin	Average Margin
				Limit (dBuV)	Indicated Amplitude (dBuV)	Corrected Amplitude (dBuV)	Limit (dBuV)	Indicated Amplitude (dBuV)	Corrected Amplitude (dBuV)		
0.18	9.61	0.55	H	64.49	54.23	54.23	54.49	46.82	46.82	10.26	7.67
0.19	9.63	0.53	N	64.04	53.37	53.37	54.04	46.58	46.58	10.67	7.46
0.26	9.63	0.52	H	61.43	45.97	45.97	51.43	38.12	38.12	15.46	13.31
0.32	9.63	0.62	H	59.71	43.61	43.61	49.71	36.68	36.68	16.10	13.03
0.33	9.63	0.61	N	59.45	42.63	42.63	49.45	35.69	35.69	16.82	13.76
0.40	9.64	0.60	N	57.85	41.17	41.17	47.85	34.32	34.32	16.68	13.53
0.53	9.64	0.57	H	56.00	40.88	40.88	46.00	27.16	27.16	15.12	18.84
0.72	9.64	0.59	N	56.00	39.97	39.97	46.00	26.18	26.18	16.03	19.82
0.98	9.65	0.61	N	56.00	42.23	42.23	46.00	32.85	32.85	13.77	13.15
1.02	9.65	0.63	H	56.00	40.86	40.86	46.00	33.41	33.41	15.14	12.59
1.59	9.65	0.59	H	56.00	42.69	42.69	46.00	27.74	27.74	13.31	18.26
1.69	9.66	0.59	N	56.00	43.42	43.42	46.00	27.73	27.73	12.58	18.27

**Streamline Mode (USB)**

Freq. (Mhz)	Correction Factor		Phase	FCC Part 15 Class B							
	LISN	Cable		Quasi-Peak			Average			QP Margin	Average Margin
				Limit (dBuV)	Indicated Amplitude (dBuV)	Corrected Amplitude (dBuV)	Limit (dBuV)	Indicated Amplitude (dBuV)	Corrected Amplitude (dBuV)		
0.18	9.61	0.55	H	64.49	53.67	53.67	54.49	45.89	45.89	10.82	8.60
0.22	9.62	0.50	N	62.82	52.67	52.67	52.82	45.96	45.96	10.15	6.86
0.27	9.63	0.54	H	61.12	44.62	44.62	51.12	37.72	37.72	16.50	13.40
0.34	9.63	0.61	N	59.20	41.68	41.68	49.20	36.20	36.20	17.52	13.00
0.35	9.63	0.61	H	58.96	43.36	43.36	48.96	35.89	35.89	15.60	13.07
0.42	9.64	0.59	N	57.45	42.05	42.05	47.45	34.48	34.48	15.40	12.97
0.54	9.64	0.57	H	56.00	41.67	41.67	46.00	28.41	28.41	14.33	17.59
0.74	9.64	0.58	N	56.00	40.25	40.25	46.00	26.34	26.34	15.75	19.66
1.05	9.65	0.62	N	56.00	41.68	41.68	46.00	33.60	33.60	14.32	12.40
1.08	9.65	0.61	H	56.00	41.38	41.38	46.00	34.36	34.36	14.62	11.64
1.62	9.65	0.59	H	56.00	42.87	42.87	46.00	27.72	27.72	13.13	18.28
1.72	9.67	0.59	N	56.00	42.69	42.69	46.00	27.75	27.75	13.31	18.25

**Streamline Mode (HDMI)**

Freq. (Mhz)	Correction Factor		Phase	FCC Part 15 Class B							
	LISN	Cable		Quasi-Peak			Average			QP Margin	Average Margin
				Limit (dBuV)	Indicated Amplitude (dBuV)	Corrected Amplitude (dBuV)	Limit (dBuV)	Indicated Amplitude (dBuV)	Corrected Amplitude (dBuV)		
0.17	9.61	0.58	H	64.96	53.84	53.84	54.96	47.41	47.41	11.12	7.55
0.18	9.64	0.55	N	64.49	54.25	54.25	54.49	47.15	47.15	10.24	7.34
0.24	9.63	0.49	H	62.10	46.60	46.60	52.10	38.23	38.23	15.50	13.87
0.30	9.63	0.62	H	60.24	44.81	44.81	50.24	37.76	37.76	15.43	12.48
0.30	9.63	0.62	N	60.24	43.86	43.86	50.24	36.03	36.03	16.38	14.21
0.38	9.64	0.60	N	58.28	41.66	41.66	48.28	33.17	33.17	16.62	15.11
0.51	9.64	0.57	H	56.00	41.91	41.91	46.00	27.55	27.55	14.09	18.45
0.70	9.64	0.59	N	56.00	40.77	40.77	46.00	26.21	26.21	15.23	19.79
0.97	9.65	0.61	H	56.00	41.56	41.56	46.00	33.95	33.95	14.44	12.05
0.97	9.65	0.61	N	56.00	41.69	41.69	46.00	33.55	33.55	14.31	12.45
1.58	9.65	0.59	H	56.00	43.41	43.41	46.00	27.62	27.62	12.59	18.38
1.68	9.66	0.59	N	56.00	42.64	42.64	46.00	27.07	27.07	13.36	18.93

**■ Conducted Disturbance Voltage (Communication Ports) - CAT3 Mode**

Freq. (Mhz)	Correction Factor		FCC Part 15 Class B							
			Quasi-Peak			Average			QP Margin	Average Margin
	LISN	Cable	Limit (dBuV)	Indicated Amplitude (dBuV)	Corrected Amplitude (dBuV)	Limit (dBuV)	Indicated Amplitude (dBuV)	Corrected Amplitude (dBuV)		
0.26	9.69	0.52	79.43	64.49	64.49	69.43	59.74	59.74	14.94	9.69
0.49	9.65	0.57	74.17	66.42	66.42	64.17	59.34	59.34	7.75	4.83
0.70	9.65	0.59	74.00	63.47	63.47	64.00	56.55	56.55	10.53	7.45
1.16	9.64	0.60	74.00	62.77	62.77	64.00	56.50	56.50	11.23	7.50
1.60	9.64	0.59	74.00	62.02	62.02	64.00	56.38	56.38	11.98	7.62
2.59	9.65	0.64	74.00	61.48	61.48	64.00	56.42	56.42	12.52	7.58

**■ Conducted Disturbance Voltage (Communication Ports) - CAT5 Mode**

Freq. (Mhz)	Correction Factor		FCC Part 15 Class B							
			Quasi-Peak			Average			QP Margin	Average Margin
	LISN	Cable	Limit (dBuV)	Indicated Amplitude (dBuV)	Corrected Amplitude (dBuV)	Limit (dBuV)	Indicated Amplitude (dBuV)	Corrected Amplitude (dBuV)		
0.36	9.77	0.61	76.73	63.52	63.52	66.73	57.61	57.61	13.21	9.12
0.84	9.61	0.56	74.00	58.96	58.96	64.00	51.36	51.36	15.04	12.64
1.15	9.56	0.60	74.00	64.30	64.30	64.00	50.39	50.39	9.70	13.61
1.21	9.55	0.59	74.00	62.38	62.38	64.00	55.20	55.20	11.62	8.80
1.62	9.50	0.59	74.00	63.27	63.27	64.00	52.68	52.68	10.73	11.32
2.62	9.44	0.64	74.00	61.03	61.03	64.00	55.78	55.78	12.97	8.22

■ **Conducted Disturbance Voltage (Communication Ports) - CAT6 Mode**

Freq. (Mhz)	Correction Factor		FCC Part 15 Class B							
			Quasi-Peak			Average			QP Margin	Average Margin
	LISN	Cable	Limit (dBuV)	Indicated Amplitude (dBuV)	Corrected Amplitude (dBuV)	Limit (dBuV)	Indicated Amplitude (dBuV)	Corrected Amplitude (dBuV)		
0.41	9.65	0.60	75.65	61.39	61.39	65.65	56.23	56.23	14.26	9.42
0.86	9.56	0.56	74.00	57.88	57.88	64.00	52.84	52.84	16.12	11.16
1.21	9.55	0.59	74.00	63.60	63.60	64.00	51.85	51.85	10.40	12.15
2.49	9.54	0.65	74.00	61.39	61.39	64.00	54.68	54.68	12.61	9.32
3.67	9.55	0.62	74.00	62.38	62.38	64.00	54.03	54.03	11.62	9.97
4.62	9.55	0.63	74.00	61.82	61.82	64.00	54.29	54.29	12.18	9.71



■ Radiated Electric Field Emissions (Below 1000 MHz)

**Wireless Mode (D-SUB)**

Indicated		Antenna		FCC Part 15 Class B					
Frequency (MHz)	Indicated Amplitude (dBuV/m)	Polar. (H/V)	Height (m)	Correction Factor			Limit (dBuV/m)	Corrected Amplitude (dBuV/m)	Margin (dB)
				Antenna (dB/m)	Cable (dB)	AMP (dB)			
44.65	22.67	H	3.5	11.50	1.49	32.52	30.00	22.67	7.33
50.36	24.87	V	3.5	11.45	1.55	32.51	30.00	24.87	5.13
79.25	24.98	H	3.0	7.90	1.85	32.52	30.00	24.98	5.02
150.36	22.79	V	2.8	12.74	2.42	32.51	30.00	22.79	7.21
154.21	23.37	H	2.1	12.84	2.45	32.51	30.00	23.37	6.63
448.26	31.27	V	1.2	16.85	4.36	32.63	37.00	31.27	5.73

**Wireless Mode (USB)**

Indicated		Antenna		FCC Part 15 Class B					
Frequency (MHz)	Indicated Amplitude (dBuV/m)	Polar. (H/V)	Height (m)	Correction Factor			Limit (dBuV/m)	Corrected Amplitude (dBuV/m)	Margin (dB)
				Antenna (dB/m)	Cable (dB)	AMP (dB)			
46.35	23.14	H	3.6	11.51	1.51	32.52	30.00	23.14	6.86
51.36	25.02	V	3.4	11.38	1.57	32.51	30.00	25.02	4.98
78.82	23.80	H	2.8	7.97	1.85	32.52	30.00	23.80	6.20
158.63	23.13	H	1.9	12.96	2.48	32.51	30.00	23.13	6.87
159.52	22.17	V	2.6	12.99	2.49	32.51	30.00	22.17	7.83
457.52	30.62	V	1.3	16.87	4.32	32.63	37.00	30.62	6.38

**Wireless Mode (HDMI)**

Indicated		Antenna		FCC Part 15 Class B					
Frequency (MHz)	Indicated Amplitude (dBuV/m)	Polar. (H/V)	Height (m)	Correction Factor			Limit (dBuV/m)	Corrected Amplitude (dBuV/m)	Margin (dB)
				Antenna (dB/m)	Cable (dB)	AMP (dB)			
58.63	35.12	H	3.8	10.89	1.65	32.51	40.00	35.12	4.88
69.61	35.02	V	3.8	9.46	1.77	32.52	40.00	35.02	4.98
72.04	32.64	H	3.3	9.08	1.79	32.52	40.00	32.64	7.36
116.57	26.64	V	3.3	10.83	2.14	32.53	40.00	26.64	13.36
377.55	27.76	V	1.8	15.12	3.85	32.55	47.00	27.76	19.24
453.27	34.27	H	2.0	16.78	4.30	32.62	47.00	34.27	12.73

**Streamline Mode (D-SUB)**

Indicated		Antenna		FCC Part 15 Class B					
Frequency (MHz)	Indicated Amplitude (dBuV/m)	Polar. (H/V)	Height (m)	Correction Factor			Limit (dBuV/m)	Corrected Amplitude (dBuV/m)	Margin (dB)
				Antenna (dB/m)	Cable (dB)	AMP (dB)			
49.63	24.13	H	3.7	11.47	1.55	32.51	30.00	24.13	5.87
52.31	24.89	V	2.9	11.32	1.58	32.51	30.00	24.89	5.11
79.62	22.51	H	2.4	7.84	1.86	32.52	30.00	22.51	7.49
156.38	22.96	H	2.1	12.90	2.46	32.51	30.00	22.96	7.04
163.28	21.98	V	3.0	12.71	2.53	32.51	30.00	21.98	8.02
463.58	31.65	V	1.5	17.00	4.39	32.63	37.00	31.65	5.35

**Streamline Mode (USB)**

Indicated		Antenna		FCC Part 15 Class B					
Frequency (MHz)	Indicated Amplitude (dBuV/m)	Polar. (H/V)	Height (m)	Correction Factor			Limit (dBuV/m)	Corrected Amplitude (dBuV/m)	Margin (dB)
				Antenna (dB/m)	Cable (dB)	AMP (dB)			
44.75	23.15	H	3.7	11.50	1.50	32.52	30.00	23.15	6.85
51.31	25.34	V	3.4	11.38	1.57	32.51	30.00	25.34	4.66
77.69	25.81	H	3.3	8.16	1.84	32.52	30.00	25.81	4.19
154.68	23.15	V	2.8	12.86	2.45	32.51	30.00	23.15	6.85
162.68	23.62	H	2.4	12.76	2.52	32.51	30.00	23.62	6.38
465.28	32.08	V	1.7	17.04	4.39	32.64	37.00	32.08	4.92

**Streamline Mode (HDMI)**

Indicated		Antenna		FCC Part 15 Class B					
Frequency (MHz)	Indicated Amplitude (dBuV/m)	Polar. (H/V)	Height (m)	Correction Factor			Limit (dBuV/m)	Corrected Amplitude (dBuV/m)	Margin (dB)
				Antenna (dB/m)	Cable (dB)	AMP (dB)			
45.13	23.06	H	3.6	11.52	1.50	32.52	30.00	23.06	6.94
52.34	24.85	V	3.3	11.31	1.58	32.51	30.00	24.85	5.15
78.59	24.89	H	3.5	8.01	1.85	32.52	30.00	24.89	5.11
162.30	23.07	V	2.7	12.80	2.52	32.51	30.00	23.07	6.93
163.25	22.87	H	2.5	12.71	2.53	32.51	30.00	22.87	7.13
468.52	31.06	V	2.1	17.11	4.40	32.64	37.00	31.06	5.94

■ Radiated Electric Field Emissions (Above 1000 MHz)

Wireless Mode (D-SUB)

Indicated		Antenna		Correction Factor			Detector (PK/AV)	FCC Part 15 Class B		
Frequency (MHz)	Amplitude (dBuV/m)	Polar. (H/V)	Height (m)	Ant. (dB)	Cable (dB)	AMP (dB)		Limit (dBuV/m)	Corrected Amplitude (dBuV/m)	Margin (dB)
1632.50	47.20	H	1.2	25.62	4.71	26.46	PK	70.00	47.20	22.80
1682.90	50.38	V	1.2	25.62	4.71	26.46	PK	70.00	50.38	19.62
2384.50	51.65	V	1.2	27.32	7.27	25.80	PK	70.00	51.65	18.35
2685.10	51.36	H	1.2	28.06	6.25	25.50	PK	70.00	51.36	18.64
2689.40	53.61	V	1.2	28.06	6.25	25.50	PK	70.00	53.61	16.39
3125.10	51.32	H	1.2	28.64	6.07	24.91	PK	74.00	51.32	22.68
1632.50	41.62	H	1.2	25.62	4.71	26.46	AV	50.00	41.62	8.38
1682.90	41.65	V	1.2	25.62	4.71	26.46	AV	50.00	41.65	8.35
2384.50	43.20	V	1.2	27.32	7.27	25.80	AV	50.00	43.20	6.80
2685.10	44.67	H	1.2	28.06	6.25	25.50	AV	50.00	44.67	5.33
2689.40	44.78	V	1.2	28.06	6.25	25.50	AV	50.00	44.78	5.22
3125.10	44.25	H	1.2	28.64	6.07	24.91	AV	54.00	44.25	9.75

**Wireless Mode (USB)**

Indicated		Antenna		Correction Factor			Detector (PK/AV)	FCC Part 15 Class B		
Frequency (MHz)	Amplitude (dBuV/m)	Polar. (H/V)	Height (m)	Ant. (dB)	Cable (dB)	AMP (dB)		Limit (dBuV/m)	Corrected Amplitude (dBuV/m)	Margin (dB)
1563.20	47.25	H	1.2	25.47	4.49	26.54	PK	70.00	47.25	22.75
1657.20	49.63	V	1.2	25.62	4.71	26.46	PK	70.00	49.63	20.37
2385.60	51.60	V	1.2	27.32	7.27	25.80	PK	70.00	51.60	18.40
2592.30	52.17	V	1.2	27.91	6.31	25.60	PK	70.00	52.17	17.83
2648.50	51.13	H	1.2	28.06	6.25	25.50	PK	70.00	51.13	18.87
3256.10	51.86	H	1.2	28.68	6.17	24.75	PK	74.00	51.86	22.14
1563.20	41.63	H	1.2	25.47	4.49	26.54	AV	50.00	41.63	8.37
1657.20	42.12	V	1.2	25.62	4.71	26.46	AV	50.00	42.12	7.88
2385.60	42.38	V	1.2	27.32	7.27	25.80	AV	50.00	42.38	7.62
2592.30	45.10	V	1.2	27.91	6.31	25.60	AV	50.00	45.10	4.90
2648.50	44.28	H	1.2	28.06	6.25	25.50	AV	50.00	44.28	5.72
3256.10	43.68	H	1.2	28.68	6.17	24.75	AV	54.00	43.68	10.32

**Wireless Mode (HDMI)**

Indicated		Antenna		Correction Factor			Detector (PK/AV)	FCC Part 15 Class B		
Frequency (MHz)	Amplitude (dBuV/m)	Polar. (H/V)	Height (m)	Ant. (dB)	Cable (dB)	AMP (dB)		Limit (dBuV/m)	Corrected Amplitude (dBuV/m)	Margin (dB)
1532.40	47.95	H	1.2	25.47	4.49	26.54	PK	70.00	47.95	22.05
1768.20	50.65	V	1.2	25.77	4.90	26.37	PK	70.00	50.65	19.35
2352.10	51.16	V	1.2	27.32	7.27	25.80	PK	70.00	51.16	18.84
2687.90	52.87	H	1.2	28.06	6.25	25.50	PK	70.00	52.87	17.13
2697.80	54.26	V	1.2	28.06	6.25	25.50	PK	70.00	54.26	15.74
2994.80	51.82	H	1.2	28.51	6.09	25.19	PK	70.00	51.82	18.18
1532.40	41.65	H	1.2	25.47	4.49	26.54	AV	50.00	41.65	8.35
1768.20	42.65	V	1.2	25.77	4.90	26.37	AV	50.00	42.65	7.35
2352.10	43.62	V	1.2	27.32	7.27	25.80	AV	50.00	43.62	6.38
2687.90	45.89	H	1.2	28.06	6.25	25.50	AV	50.00	45.89	4.11
2697.80	45.71	V	1.2	28.06	6.25	25.50	AV	50.00	45.71	4.29
2994.80	44.87	H	1.2	28.51	6.09	25.19	AV	50.00	44.87	5.13



**Streamline Mode (D-SUB)**

Indicated		Antenna		Correction Factor			Detector (PK/AV)	FCC Part 15 Class B		
Frequency (MHz)	Amplitude (dBuV/m)	Polar. (H/V)	Height (m)	Ant. (dB)	Cable (dB)	AMP (dB)		Limit (dBuV/m)	Corrected Amplitude (dBuV/m)	Margin (dB)
1465.20	47.35	H	1.2	25.33	4.24	26.63	PK	70.00	47.35	22.65
1658.50	48.69	V	1.2	25.62	4.71	26.46	PK	70.00	48.69	21.31
2384.50	51.62	V	1.2	27.32	7.27	25.80	PK	70.00	51.62	18.38
2648.70	51.32	H	1.2	28.06	6.25	25.50	PK	70.00	51.32	18.68
2652.10	51.35	V	1.2	28.06	6.25	25.50	PK	70.00	51.35	18.65
3354.60	50.84	H	1.2	28.72	6.26	24.59	PK	74.00	50.84	23.16
1465.20	42.06	H	1.2	25.33	4.24	26.63	AV	50.00	42.06	7.94
1658.50	41.87	V	1.2	25.62	4.71	26.46	AV	50.00	41.87	8.13
2384.50	41.65	V	1.2	27.32	7.27	25.80	AV	50.00	41.65	8.35
2648.70	43.26	H	1.2	28.06	6.25	25.50	AV	50.00	43.26	6.74
2652.10	44.85	V	1.2	28.06	6.25	25.50	AV	50.00	44.85	5.15
3354.60	43.28	H	1.2	28.72	6.26	24.59	AV	54.00	43.28	10.72

**Streamline Mode (USB)**

Indicated		Antenna		Correction Factor			Detector (PK/AV)	FCC Part 15 Class B		
Frequency (MHz)	Amplitude (dBuV/m)	Polar. (H/V)	Height (m)	Ant. (dB)	Cable (dB)	AMP (dB)		Limit (dBuV/m)	Corrected Amplitude (dBuV/m)	Margin (dB)
1563.20	48.02	H	1.2	25.47	4.49	26.54	PK	70.00	48.02	21.98
1845.20	51.63	V	1.2	25.92	5.18	26.29	PK	70.00	51.63	18.37
2386.40	51.67	V	1.2	27.32	7.27	25.80	PK	70.00	51.67	18.33
2635.80	52.41	H	1.2	28.06	6.25	25.50	PK	70.00	52.41	17.59
2684.50	54.16	V	1.2	28.06	6.25	25.50	PK	70.00	54.16	15.84
2998.50	50.32	H	1.2	28.51	6.09	25.19	PK	70.00	50.32	19.68
1563.20	41.65	H	1.2	25.47	4.49	26.54	AV	50.00	41.65	8.35
1845.20	42.85	V	1.2	25.92	5.18	26.29	AV	50.00	42.85	7.15
2386.40	43.21	V	1.2	27.32	7.27	25.80	AV	50.00	43.21	6.79
2635.80	44.87	H	1.2	28.06	6.25	25.50	AV	50.00	44.87	5.13
2684.50	46.20	V	1.2	28.06	6.25	25.50	AV	50.00	45.27	4.73
2998.50	43.54	H	1.2	28.51	6.09	25.19	AV	50.00	43.54	6.46

**Streamline Mode (HDMI)**

Indicated		Antenna		Correction Factor			Detector (PK/AV)	FCC Part 15 Class B		
Frequency (MHz)	Amplitude (dBuV/m)	Polar. (H/V)	Height (m)	Ant. (dB)	Cable (dB)	AMP (dB)		Limit (dBuV/m)	Corrected Amplitude (dBuV/m)	Margin (dB)
1568.40	48.32	H	1.2	25.47	4.49	26.54	PK	70.00	48.32	21.68
1765.80	50.35	V	1.2	25.77	4.90	26.37	PK	70.00	50.35	19.65
2385.40	51.84	V	1.2	27.32	7.27	25.80	PK	70.00	51.84	18.16
2633.40	51.87	H	1.2	28.06	6.25	25.50	PK	70.00	51.87	18.13
2697.50	54.32	V	1.2	28.06	6.25	25.50	PK	70.00	54.32	15.68
2995.60	49.85	H	1.2	28.51	6.09	25.19	PK	70.00	49.85	20.15
1568.40	41.62	H	1.2	25.47	4.49	26.54	AV	50.00	41.62	8.38
1765.80	41.68	V	1.2	25.77	4.90	26.37	AV	50.00	41.68	8.32
2385.40	42.64	V	1.2	27.32	7.27	25.80	AV	50.00	42.64	7.36
2633.40	43.68	H	1.2	28.06	6.25	25.50	AV	50.00	43.68	6.32
2697.50	44.71	V	1.2	28.06	6.25	25.50	AV	50.00	44.71	5.29
2995.60	43.21	H	1.2	28.51	6.09	25.19	AV	50.00	43.21	6.79

## APPENDIX C - EUT Photographs

### EUT : Front View



### EUT :Rear View

