

Statement

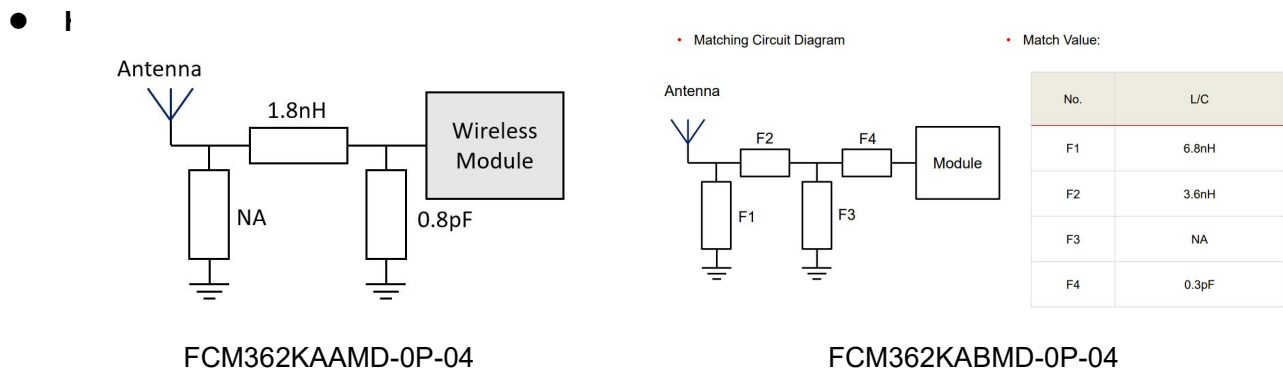
We **Quectel Wireless Solutions Co., Ltd.** declare the following models.

Product Name: Wi-Fi & Bluetooth Module

Model Number: FCM362K

Hardware Version: R1.1

Product with ordering code FCM362KAAMD-0P-04 and FCM362KABMD-0P-04 both use AIC8800M40B chipset, share the same chipset baseline, same software and hardware design, the difference is PCB antenna matching is inconsistent. Distinguish by changing the position of one resistor.



● **ANT Difference Table**

FCM362KAAMD-0P-04	FCM362KABMD-0P-04
1.8nH+0.8pF	6.8nH+3.6nH+0.3pF

Above changes won't impact the protocol and RF performance for same frequency. Your assistance on this matter is highly appreciated.
 Person responsible for making this statement.

Name/Surname:

Position/Title: Certification Manager

Issue Date: May 20,2025