

Bluetooth Music Hands-free car kit System

Welcome

Thank you for purchasing the Bluetooth LCD Hands free. For the sake of making full of the functions of the products, please read the user manual carefully in advance.

The product is to help you in driving more safe and convenient. Please minimize the using of the telephone and place your focus on driving.

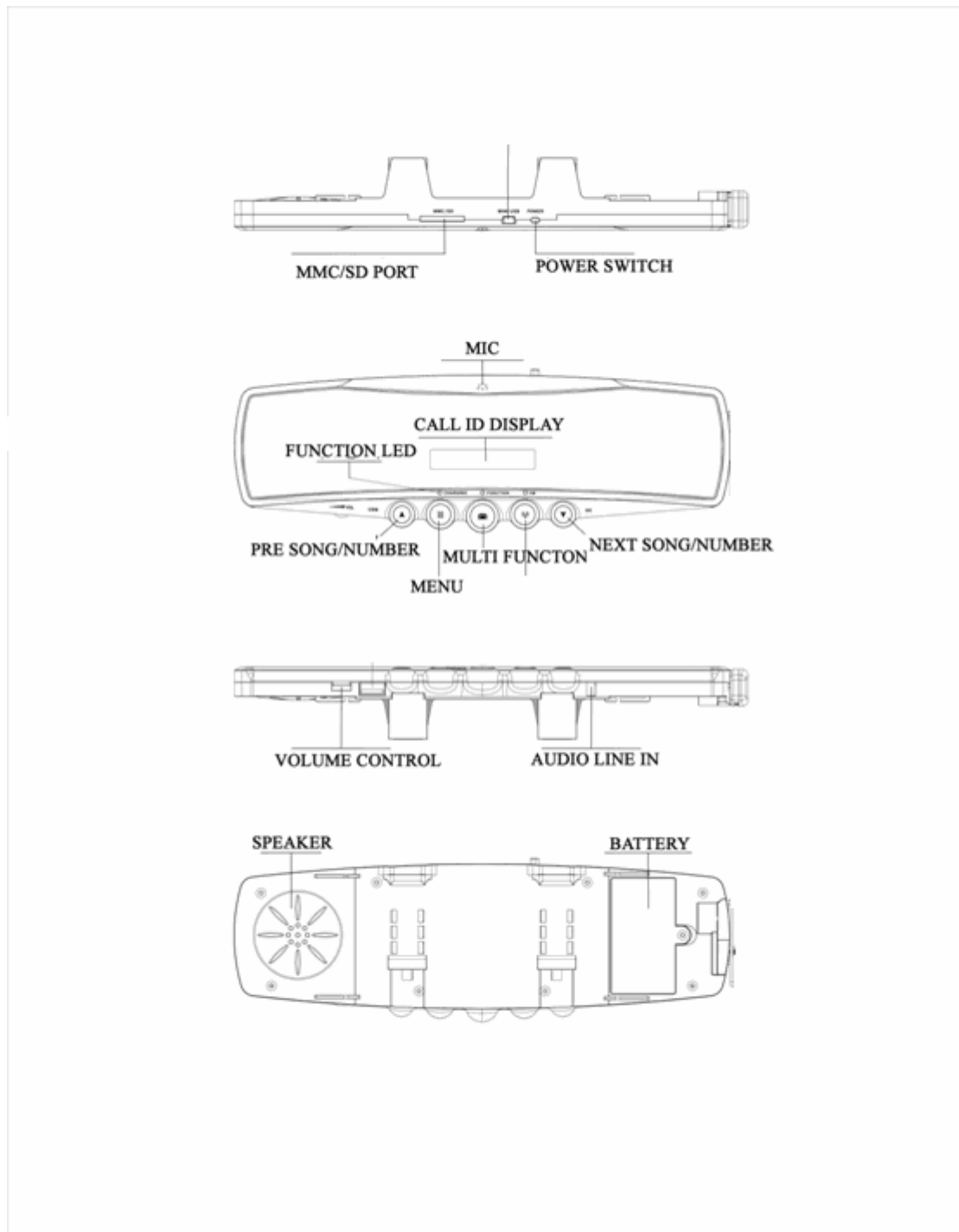
Table content

1. Bluetooth Car kit Mirror overview.
2. Function introduction.
3. Installation.
4. Turn on/off your device
5. Charging for BT car kit
6. Pairing for cell phone and BT car kit
7. To answer or end a call.
8. Reject a Call.
9. Dial-back function.
10. Redial function.
11. Voice dialing.
12. Volume adjustment.

FCC NOTE: THE MANUFACTURER IS NOT RESPONSIBLE FOR ANY RADIO OR TV INTERFERENCE CAUSED BY UNAUTHORIZED MODIFICATIONS TO THIS EQUIPMENT. SUCH MODIFICATIONS COULD VOID THE USER'S AUTHORITY TO OPERATE THE EQUIPMENT.

This device complies with Part 15 of the FCC Rules. Operation is subject to the following two conditions: 1. This device may not cause harmful interference, and 2. This device must accept any interference received, including interference that may cause undesired operation.

1. Bluetooth Car Kit Mirror overview.



2 . Function Introduction.

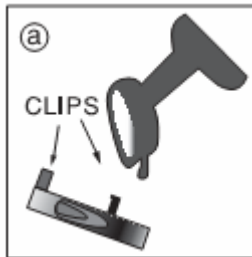
The product adopt the latest Bluetooth Stereo, Noise and Echo eliminate technology to make answer a call freely and clear, free your hands and make safe driving.

The device with the practical function and easy operation, it can switch among hands-free state. Also with voice dialing, redial, dial-back, and rejection a call etc practical function.

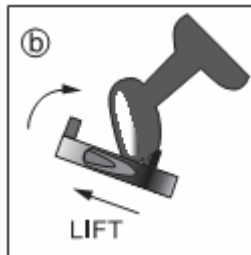
It will automatic search cell phone for pairing when it turn on, the screen will display “PAIR OK” if pairing successfully. After connected will show the model of cell phone, Bluetooth mark and battery mark.

3. Installation.

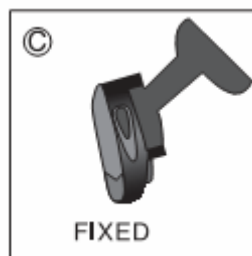
- a、 Identify two pairs of clips on the back of the device.



- b、 Place the bottom pair of clips on the underside of the car's original rear view mirror and lift.



- c、 Extend the bottom clips and fix the top one in position on top of the car's original rear view mirror, and held securely until the unit is in place.



4. Turn on/off your device.

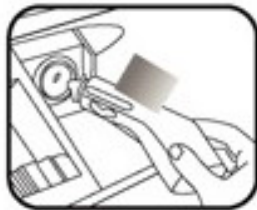
Push down the power button, the LCD screen will display “WD0608, Bluetooth mark and battery mark., It indicate that device was on and begin to search the suitable Bluetooth cell phone for pairing.

5. Charging for BT car kit.



Charging 1

Charging 2



Charging 2

The product with built-in Li battery can charge random by the equipped charger. The battery mark will be show the dump energy. Once the power low, please insert one connector to the cigarette light port, another connector to the BT car kit port. The Charging LED in the right side will be light in the process of charging. After the power was full, the battery mark will be full and the charging LED will be turn off.

6. Pairing for cell phone and BT car kit.

The Bluetooth car kit for using the first time, it should be match manually.

- A, Please activate the Bluetooth function in your cell phone.
- B, Search suitable Bluetooth device, it'll show the “WD0608” in your cell phone.
- C, Connect Bluetooth device you have searched, and enter password”8888”
- D, LCD will display “PAIR OK” if pair ok.
- E, Connect with the device.

After successful connected, the LCD will display the cell-phone’s model. For example, if you are using the NOKIA 5300 for pairing, the mirror will show NOKIA 5300 after connected.

After the first time paired successfully, it'll search it automatically from now on, and will be display “PAIR OK” while connected successful.

Please repeat foregoing operation step if need pair again.

7. To answer or end a call.

The car kit can receive a telephone after it pair successfully.

Answer a call.

Once the call coming, the LCD will display the Caller ID, if you have saved it in the car kit, it will display the Caller Name. Just push “Multi function” key to answer this call.

End a call.

Just press the “Multi function” key again to hang up the phone which is answering, the LCD will display “END CALL” for notice.

8. Reject a call.

If you don't want to answer some call incoming, please press the “Multi function” key for short time will be automatically hang up and display “REJECT”.

9. Dial-back function.

This product will record the last 10 received numbers automatically. If you want to dial-back all these number please refer the follow steps.

1. Please press “MENU” key into phone book, then press “PREV” or “NEXT” key to choose “Received number”.
2. Press “MENU” again into detail list and select the telephone number by “PREV” or “NEXT” key and press “Multi function” key to dial-back.

10. Redial function.

If you want redial the last number you just dialed, only need by press “Multi function” key again with the LCD display “CALL OUT” for notice.

11. Voice dialing.

Ensure your cell phone hold the voice dialing function before you make use of this function. If you need a voice dialing, press “MENU” key into “Phone Book”. Then press “PREV” or “NEXT” into “Voice Control”. And press “MENU” key to active this function. The LCD will display “VOICE DIAL...”. At this time, the voice dialing function in cell phone will be automatic activated, please speak out the name of your expected toward the microphone.

12. Volume adjustment.

Rotation adjustment knob can adjust the volume of speaker and earphone at the same time. Not to recommend adjust to the maximum.