

Wireless Power Controller User's Manual

Product Name: **Wireless Power Controller**

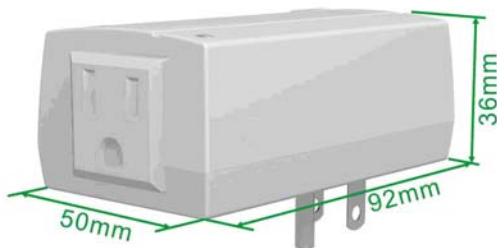
Model No: **WPC-110**

Input Power: **AC110V 50/60Hz**

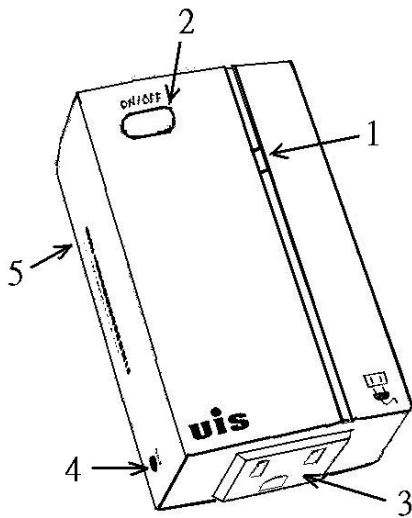
Features Description:

1. The way to a wireless receiver by the WG-110 (Wireless Gateway) issued to the ON / OFF signal to control the WPC-110 (Wireless Power Controller) on a Power outlet, control power supply , you can phone from a distance through remote control home electrical equipment, to provide users more convenience.
2. Can use the WCS-110 (Wireless Contact Sensor) or WMS-110 (Wireless Motion (PIR) Sensor) to do even control, For example: Corridor night auxiliary lighting.
3. Easy to install, Play as long as you can in the power outlet.
4. Can be a positive and transparent operation of the button panel to control the WPC-110 (Wireless Power Controller) for power outlet of ON or OFF state, and bright blue LED lights that action.
5. Easy link, when install at the first time to press the set button on the side of product binding with repeater.

Outline Dimensions:



Feature Locator:



1. State of LED window
2. Button and red LED
3. Power outlet
4. (SET) Setting button
5. America power plug

Installation Hints:

1. First WPC-110 (Wireless Power Controller) plug in the City electric power outlet, press the WPC-110 (Wireless Power Controller) side of the SET button, and then press the WR-110 (wireless repeater) at the bottom of the SET button, Wait for 30 seconds to 1 minute. If LED indicator light flash three times that means linking success. If LED indicator light flash two times that means fail.
2. Transparent front panel buttons, you can directly control the WPC-110 (Wireless Power Controller) for to control ON / OFF output, If outlet have power output at the same time, High-brightness blue LED lights also follow the light.
3. By WCC-110 (Wireless console controller), control WPC-110 (Wireless Power Controller) to control ON / OFF output, can also make use of WMS-110 (Wireless Motion (PIR) Sensor) signal, the WPC-110 (Wireless Power Controller) to do even controls, Please reference the user manual of WCC-110(Wireless console controller) when setting.

Troubleshooting:

1. **Problem:** When link with WR-110 (Wireless repeater), there is no display of LED indicator light for WPC-110 (Wireless Power Controller) to flash two or three times.
Solution:
 - a. Be able to use small night light to confirm the plug power valid.
 - b. May be not press set button, need to link with repeater again.
 - c. Can press the transparent button in positive, check there is ON or OFF response action.
 - d. If the above handles are invalid, please contact with agency.
2. **Problem:** Unable to link with WR-110 (wireless repeater).
Solution:
 - a. It needs to confirm the distance between WCS-110 (Wireless Contact Sensor)

and WPC-110 (Wireless Power Controller). Wireless connects in non-camouflage straight line effective range 10 meters. May pull closer between booth's distance tests to have a look first, whether to have the improvement segment condition.

Specification:

Wireless Power Controller	
Model No.	WPC-110
Electrical Specification	
Transmit Frequency	2.4GHz
Modulation	GFSK
Transmit Power	0 dBm
Channel spacing	1 MHz
Channel NO.	81 Channel(2401 ~ 2481Mhz)
Range of operation	10 meters
Input Voltage (VAC)	110V AC +/- 5% (220V AC +/- 5%)OPTION
Output Current Capacity	13Amp. (AC) Max.
Display Type	Red For communication status indication Blue LED for power on/off indicator
Operation Interface	Push Switch
Environmental Requirement	
Operating temperature	-20°C to 60°C
Storage temperature	-20°C to 70°C
Humidity	90% RH Max. Non-Condensing
Mechanical Specification	
Dimension (WxHxD, mm)	92x50x36
Weight	96g

FEDERAL COMMUNICATIONS COMMISSION INTERFERENCE STATEMENT

This equipment has been tested and found to comply with the limits for a Class B digital device, pursuant to Part 15 of the FCC Rules. These limits are designed to provide reasonable protection against harmful interference in a residential installation. This equipment generates, uses and can radiate radio frequency energy and, if not installed and used in accordance with the instructions, may cause harmful interference to radio communications. However, there is no guarantee that interference will not occur in a particular installation. If this equipment does cause harmful interference to radio or television reception, which can be determined by turning the equipment off and on, the user is encouraged to try to correct the interference by one or more of the following measures:

- Reorient or relocate the receiving antenna.
- Increase the separation between the equipment and receiver.
- Connect the equipment into an outlet on a circuit different from that to which the receiver is connected.
- Consult the dealer or an experienced radio/TV technician for help.

CAUTION:

Any changes or modifications not expressly approved by the party responsible for compliance could void the user's authority to operate the equipment.

This device complies with Part 15 of the FCC Rules. Operation is subject to the following two conditions:

- (1) This device may not cause harmful interference and
- (2) This device must accept any interference received, including interference that may cause undesired operation.

Canada Warning

"Industry Canada regulatory information Operation is subject to the following two conditions: (1) this device may not cause interference, and (2) this device must accept any interference, including interference that may cause undesired operation of the device." "The user is cautioned that this device should be used only as specified within this manual to meet RF exposure requirements. Use of this device in a manner inconsistent with this manual could lead to excessive RF exposure conditions."