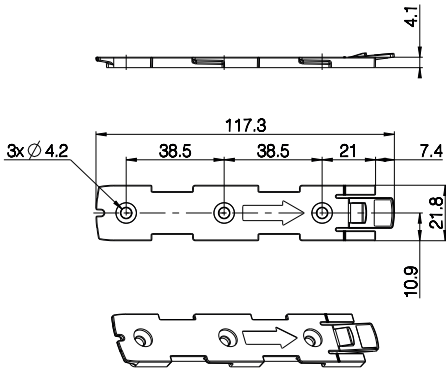
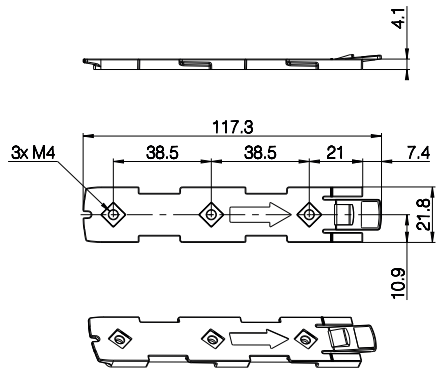


Mounting bracket (frame flat) - article No. 1015W1001:

Mounting bracket (frame flat) w/M4 nuts - article No. 1015W9009:

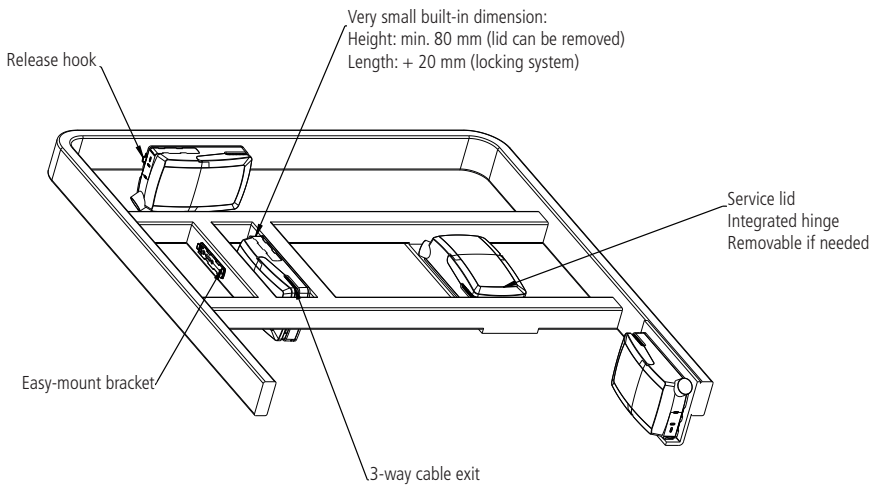


Drawing No.: 1015W4001



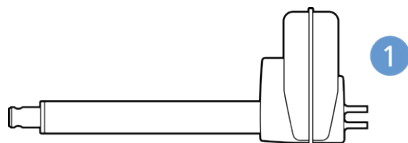
Drawing No.: 1015W4009

C071 - mounted on frame:



Mounting instructions (Example CO71 with LA40)

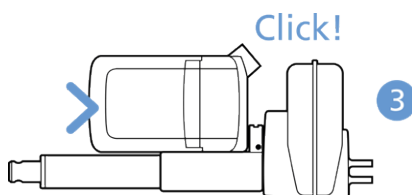
When mounting the control box onto the actuator (1)



Simply slide on the bracket until you hear a clear click (2)



Slide on the control box until you hear a click and the box is mounted (3)



It is recommended that the CO71 is mounted in a position that allows water to escape.

Recommended torque: 0.6 Nm +/-0.1

The bracket can be mounted to the bed frame or any other application by following one of the following mounting procedures:

- 1) M6 nut to be placed in bracket and fixed with M6 bolt from the rear side.
- 2) M5 machine screw with flat washer to be fixed through bracket with nut on the rear side.
- 3) Self-tapping screw to be placed through bracket and onto the frame.

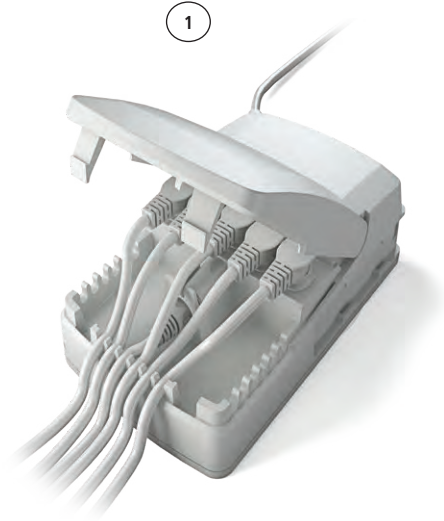
Mounting of cables and cable lock:

C071 has a uniquely designed cable lid. The lid also works as an integrated cable lock when closed.

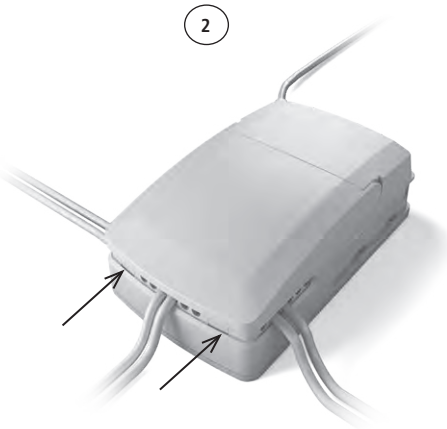
- 1) Mount cable plugs in control box
- 2) Close lid until lock snaps into place (see arrows)

To allow free access to the cables, the lid has a rest position when completely opened. It is possible to remove the lid by lifting it a few degrees and pulling it away from the housing under tight mounting conditions.

See illustrations:



Cable management:





Recommendations

- To avoid unintended activation of actuators if hand control cables short-circuit, LINAK recommends to use an OpenBus™ system (CO71).
- If there is a risk that the system is overloaded and therefore shuts down thermally, LINAK recommends to use quick release actuators. These will allow functions to be lowered manually in case of a CO71 malfunction due to misuse/abuse.
- If the customer has other essential performance than “no unintended movement”, he must consider this in his own risk analysis. LINAK disclaims any liability.
- If the actuator or the control cable is removed from the control box, the cable lock must be applied. To ensure movement in this case, LINAK recommends to use quick release actuators in the application.
- To avoid cables from being damaged by pulling, LINAK recommends to make safe cabling. If movement is an essential performance, LINAK recommends to apply quick release actuators, for example, to ensure movement.
- To avoid thermal protection from being activated, do not exceed load specifications. If movement is an essential performance, LINAK recommends to apply quick release actuators, for example, to ensure movement.
- Sales must request a review of the products according to current cut-off limits.
- Push plugs fully into correct sockets and make sure that the plugs are completely inserted.
- Mount control box lid and close lid until locked in place.

Motor cable

Always use 6-wire cables.

Please note that angled motor cable plugs are required for connection to the control box.



Warnings

- Use EPR or ensure that the user takes care not to squeeze the mains cable.
- Always check correct assembly after mounting and service to ensure that the cable lock is mounted. (Connectors are usually removed during cleaning)
- Always use approved chemicals with the housing as the plastic may show corrosion caused by some chemicals. As a result water may accumulate/gather in housing.
- Take special precautions concerning 3rd party interfacing. Please contact LINAK for further information.
- Make a review of all product specifications before system set-up if the current cut-off limit is higher than the maximum allowed current cut-off for the actuator.
- To avoid cable interruption and actuator defects make a proper cable installation and inspect regularly for wear and damage. Defective parts must be replaced.
- After service inspection, the application must be tested for correct functionality before it is put into operation to avoid actuator plugs being mixed during service. Operators must not be inside entrapment area.
- To avoid electrical failure or system disturbance inspect regularly for wear and damage. Defective parts must be replaced.
- Make a proper cable installation to avoid short-circuit cables for hand control/controls. Regular inspection must be made for wear and damage. Defective parts must be replaced.
- Loss of mains: If the power supply is switched off for a short time (between 1 and approx. 1.5 seconds), the control box will only start up again if a key is pressed. This is only relevant for OpenBus™ systems that run continually
- Do not mount the actuator with the spindle facing downwards to avoid that the actuator slips off the bracket with mounted control box. The bracket can come loose when exposed to shock or hard vibration, for instance when passing doorsteps. Regular inspection must be made to ensure proper fixation of control box and bracket on actuator.



Designed in Denmark
DK - 6430 Nordborg

Item : OPS+09111S09200



Date : 2020.09.22

U In : 100-240 V~, 50/60 Hz

I In : Max. 1.6 A

IPX6 Washable DURA

S.W. P/N.: 00890006 Ver. 1.0



W/O #1234567-0008 Made in China 01

The LINAK OpenBus Power Supply (OPS) is intended to control up to three heat pads. The OPS is equipped with 120 W constant power and comes as IPX6 Washable DURA™.

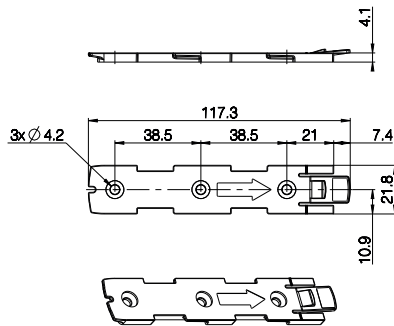
The OPS offers flexible system combinations and can be used as a stand-alone system or as add-on to the existing LINAK CO control box solution as CO-Link™.

Usage:

- Duty cycle: 100%
- Operation temperature: +5 °C to + 40 °C
- Storage temperature: -10 °C to + 50 °C
- Relative humidity: 20% to 80% - non-condensing
- Atmospheric pressure: 700 to 1060 hPa
- Height above sea level: Max. 3000 meters
- Flammability rating: UL94 V2
- Latex free: Yes
- Approvals: IEC 60601-1
ANSI/AAMI ES60601
CSA CAN/CSA-C22.2 NO. 60601
IEC 60601-1-6
IEC 60601-1-2

Mounting bracket (frame flat)

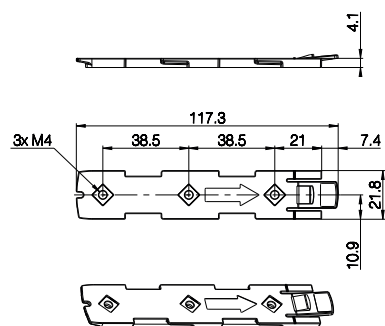
- article No. 1015W1001:



Drawing No.: 1015W4001

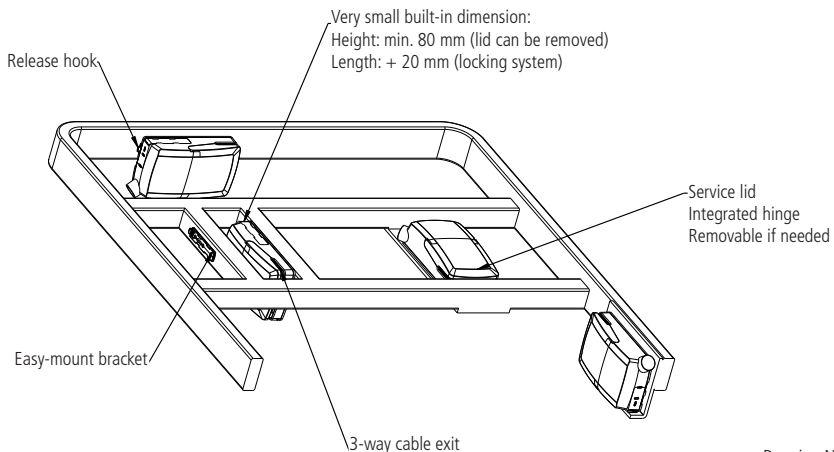
Mounting bracket (frame flat) w/M4 nuts

- article No. 1015W9009:



Drawing No.: 1015W4009

OPS - mounted on frame:



Drawing No.: 1013W4008

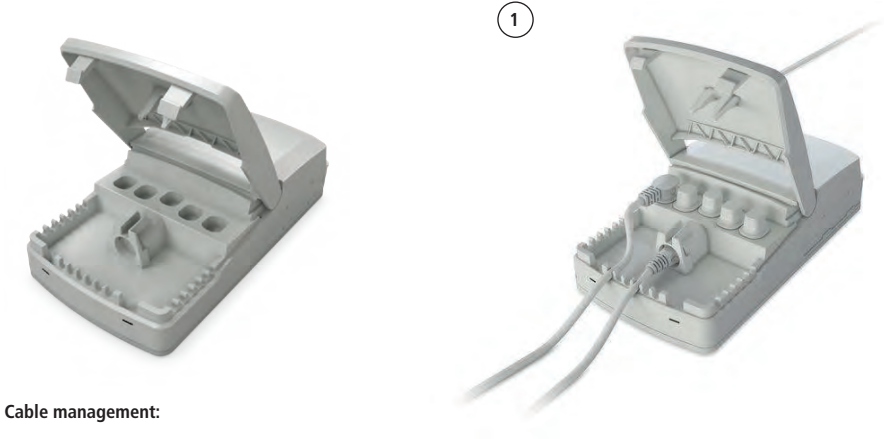
Mounting of cables and cable lock:

The OPS has a uniquely designed cable lid. The lid also works as an integrated cable lock when closed.

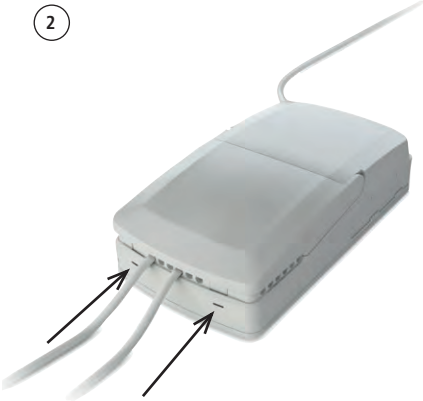
- 1) Mount cable plugs in the OPS
- 2) Close lid until lock snaps into place (see arrows)

To allow free cable access, the lid has a rest position when completely opened. It is possible to remove the lid by lifting it a few degrees and pulling it away from the housing under tight mounting conditions.

See illustrations:



Cable management:



LED indicator



The OPS is equipped with LED indication. When mains power is connected, the LED turns green. The LED turns yellow for as long as the pressure lasts.

Connected to MAINS	
LED colour	Indication of operation
Green	On mains The system is working ok and is ready for normal operation.
Yellow	On mains, activated by hand control The system is working.



Recommendations

- LINAK recommends safe cabling to avoid cable damage caused by pulling.
- A product review as to current cut-off limits must be requested by the sales department.
- Always use matching cable plug for the respective product.
- Push plugs fully into correct sockets and make sure they are firmly inserted.
- Mount the OPS box lid and close lid until locked in place.

Heat pad cable

Always use 6-wire cables.

Please note that angled heat pad cable plugs are required for connection to the control box.

Order no. 0965361-A (1100 mm straight cable).



Warnings

- Use EPR or ensure that the user takes care not to squeeze the mains cable.
- Always check correct assembly after mounting and service to ensure that the cable lock is mounted. (Connectors are usually removed during cleaning)
- Take special precautions concerning 3rd party interfacing. Please contact LINAK for further information.
- Make a review of all product specifications before system set-up if the OPS box current cut-off limit is higher than the maximum allowed current heat pad cut-off.
- Make a proper cable installation to avoid cable interruption and inspect regularly for wear and damage. Replace defective parts.
- Make regular inspections for wear and damage to avoid electrical failure or system disturbance and replace defective parts.
- Make a proper cable installation to avoid short-circuit of hand control cables. Make regular inspection for wear and damage and replace defective parts.



The LINAK Power Junction Box PJ2 offers two extra outputs for the COXX control box series. Standardised technology, interfaces and compatibility like the new COXX control boxes.

The PJ2 for LINAK actuators is intended for the control of, for instance, hospital bed and surgery tables movement.

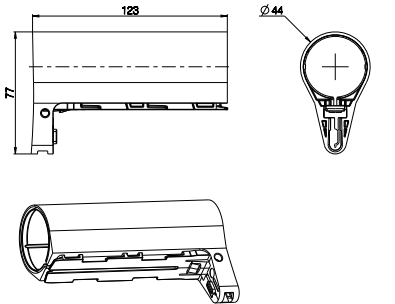
Usage

- Operating temperature: +5 °C to +40 °C
- Storage temperature: -10 °C to +50 °C
- Relative humidity: 20% to 80% - non-condensing
- Atmospheric pressure: 700 to 1060 hPa (3000 m)
- Meters above sea level: Max 2000 meters
- Approvals (pending): IEC60601-1, ANSI/AAMI ES60601-1, CSA CAN/CSA-C22.2 NO. 60601-1

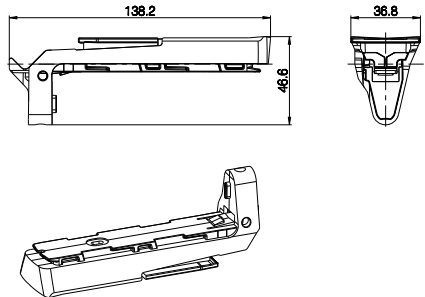
Mounting brackets

For mounting with LA40 (Article No.: 1015W1002)

For mounting with LA31 (Article No.: 1015W1004):

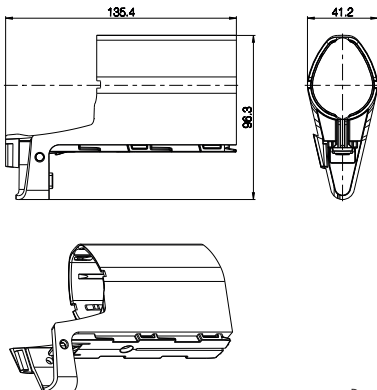


Drawing No.: 1015W4002



Drawing No.: 1015W1004

For mounting with LA27 (Article No.: 1015W9003):

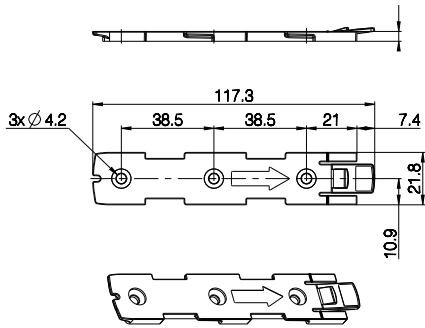


Drawing No: 1015W4003

The adapter 1015W9003 includes a screw that is halfway mounted, thus everything as one part.

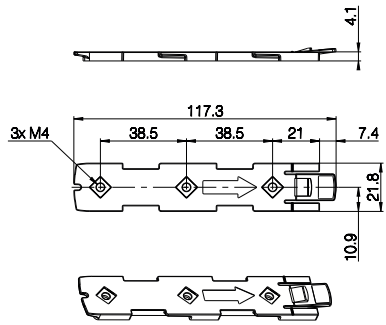
Screw head torx size: T15
Screw torque: 1.2 ± 0.2 Nm

Mounting bracket (frame flat) - article No. 1015W1001:



Drawing No.: 1015W4001

Mounting bracket (frame flat) w/M4 nuts - article No. 1015W9009:



Drawing No.: 1015W1009

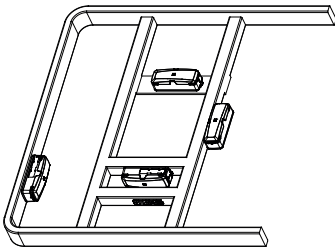
It is recommended that the PJ2 is mounted in a position that allows water to escape.

Recommended torque: 0.6 Nm +/- 0.1

The bracket can be mounted to the bed frame or any other application by following one of the following mounting procedures:

- M5 machine screw with flat washer to be fixed through bracket with nut on the rear side
- Self-tapping screw to be placed through bracket and onto the frame

Mounted on frame



Drawing No.: 1038W4003

Mounting instructions (Example PJ2 with LA40)

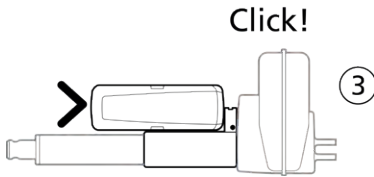
When mounting the control box onto the actuator (1)



Simply slide on the bracket until you hear a clear click (2)



Slide on the control box until you hear a click and the box is mounted (3)



Cables

PJ2 has a uniquely designed cable lid. The lid also works as an integrated cable lock when closed.

- 1) Mount cable plugs in control box
- 2) Close lid until lock snaps into place (see arrows)

To allow free access to the cables, the lid has to be removed. It is possible to remove the lid by means of a screwdriver or similar, lifting the lid in each side and pulling it away from the housing.



Recommendations

- Always use 6-wire cables for actuators
- Always use 4-wire cables for PCP accessories
- Please note that angled cable plugs are required for connection to the PJ2



Recommendations

- If there is a risk that the system is overloaded and therefore shuts down thermally, LINAK recommends using quick release actuators. These will allow functions to be lowered manually in case of a PJ2 malfunction due to misuse/abuse.
- If the customer has other essential performance than “*no unintended movement*”, he must consider this in his own risk analysis. LINAK disclaims any liability.
- If the actuator or the control cable is removed from the control box, the cable lock must be applied. To ensure movement in this case, LINAK recommends using quick release actuators in the application.
- To avoid cables from being damaged by pulling, LINAK recommends making safe cabling. If movement is an essential performance, LINAK recommends applying quick release actuators, for example, to ensure movement.
- To avoid activation of thermal protection, do not exceed load specifications. If movement is an essential performance, LINAK recommends applying quick release actuators, for example, to ensure movement.
- Sales must request a review of the products according to current cut-off limits.
- Push plugs fully into correct sockets and make sure that the plugs are completely inserted.
- Mount control box lid and close lid until locked in place.



Warnings:

- Use EPR or ensure that the user takes care not to squeeze the mains cable.
- Always check correct assembly after mounting and service to ensure that the cable lock is mounted. (Connectors are usually removed during cleaning)
- Always use approved chemicals with the housing as the plastic may show corrosion caused by some chemicals. As a result water may accumulate/gather in housing.
- Take special precautions concerning 3rd party interfacing. Please contact LINAK for further information.
- Make a review of all product specifications before system set-up if the current cut-off limit is higher than the maximum allowed current cut-off for the actuator.
- To avoid cable interruption and actuator defects make a proper cable installation and inspect regularly for wear and damage. Defective parts must be replaced.
- After service inspection, the application must be tested for correct functionality before it is put into operation to avoid actuator plugs being mixed during service. Operators must not be inside entrapment area.
- To avoid electrical failure or system disturbance inspect regularly for wear and damage. Defective parts must be replaced.
- Make a proper cable installation to avoid short-circuit cables for handset/controls. Regular inspection must be made for wear and damage. Defective parts must be replaced.
- Do not mount the actuator with the spindle facing downwards to avoid that the actuator slips off the bracket with the mounted PJ2. The bracket can come loose when exposed to shock or hard vibration, for instance when passing doorsteps. Regular inspection must be made to ensure proper fixation of control box and bracket on actuator.
- PJ2 is ONLY to be used with PCP 2.0 control boxes.

6. Information on specific controls

1. ABL (MEDLINE® CARELINE®)



With the small ABL print it is possible to convert analogue input to Bluetooth Low Energy. The ABL print can be used as attendant control or hand control integrated in side rails in for instance healthcare applications and offers easy access to different positioning functions.

Usage:

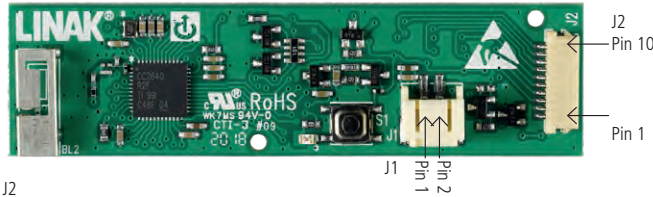
- Operation temperature: +5 °C to +40 °C
- Storage temperature: -10 °C to +50 °C
- Compatibility: Compatible with LINAK Bluetooth Low Energy (BLE) control boxes. Please contact LINAK.
- Relative humidity: 20% to 80% – non-condensing
- Atmospheric pressure: 700 to 1060 hPa
- Meters above sea level: Max. 3000 meters
- Approvals: IEC60601-1
ANSI/AAMI ES60601-1
CAN/CSA-22.2 No 60601-1



This device complies with Part 15 of the FCC Rules. Operation is subject to the following two conditions:
 (1) this device may not cause harmful interference, and
 (2) this device must accept any interference received, including interference that may cause undesired operation.

Connectors on PCBA

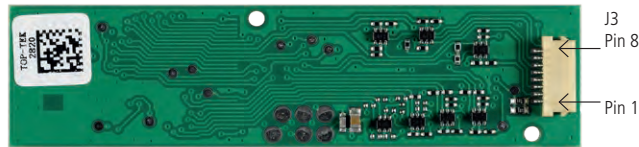
Top side



J2

Pin	Connection	Bluetooth Low Energy command (V0/V1/V2)
3 (input)	Active when connected to pin 2 (GND)	I0/I10/I20
4 (input)		I1/I11/I21
5 (input)		I2/I12/I22
6 (input)		I3/I13/I23
7 (input)		I4/I14/I24
8 (input)		I5/I15/I25
9 (input)		I6/I16/I26
10 (input)		I7/I17/I27

Bottom side

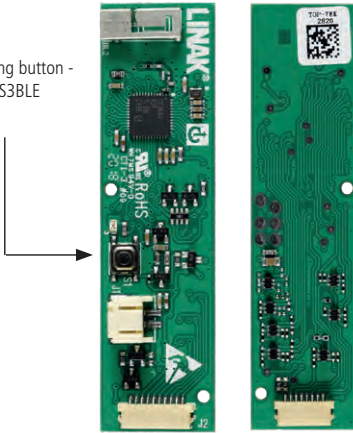


J3

Pin	Connection	Bluetooth Low Energy command (V0/V1/V2)
2 (input)	Active when connected to pin 8 (GND)	I8/I18/I28
3 (input)		I9/I19/I29
4 (output)	Voltage between this pin and pin 1 is equal to supply voltage on J1 when LED is active	LED1/LED11/LED21
5 (output)		LED2/LED12/LED22
6 (output)		LED3/LED13/LED23
7 (output)		LED4/LED14/LED24

ABL pairing

Direct Pairing button - similar to FS3BLE



Direct Pairing can also be initiated by activating pin 3 and 4 on J2 and pin 2 on J3 simultaneously.

Confirm on pin 3, J2.

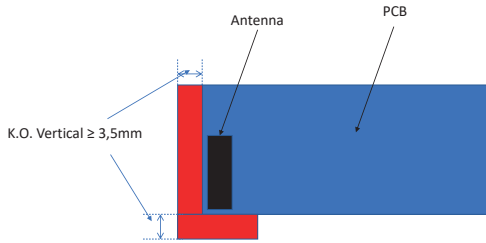
ABL - Commands and Pairing

Function	Details	Default		
Direct Pairing Activation	To enter Direct Pairing mode.	S1 (Tactile switch next to battery connector)	OR	Pin 3 (J2) + Pin 4 (J2) + Pin 2 (J3) Connected simultaneously to GND
Direct Pairing Confirmation	To confirm Direct Pairing	S1 (Tactile switch next to battery connector)	OR	Pin 3 (J2)
OEM ID and type	Used to filter in CB whitelist	OEM ID: 000000001		
		OEM type: 2000 (ABL V0) 2001 (ABL V1) 2002 (ABL V2)		

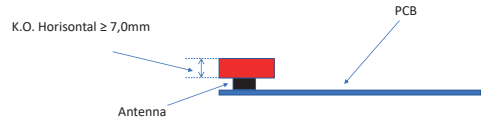
Mounting

When mounting the PCBA print in a housing be aware of the minimum recommended distance between antenna and housing – see drawings below. The housing material should be non-conducting due to the BLE signal. The customer is responsible for testing and ensuring the BLE performance/range of the final system.

Keep out zone (K.O.) Seen from above



Keep out zone (K.O) Side view



Recommendations:

- The customer responsibility includes making a proper design of the cable strain relief inside the side rail panel.
- The customer should consider the existence of vibrations when defining and specifying the housing, i.e. we recommend the customer to carry out a vibration test on the final product.
- The customer must ensure a proper IP rating/test.
- The customer must ensure proper drop testing according to IEC60601-2-52.
- §201.15.3.4.1. In this clause there is an additional reference to IEC60601-2-31.
- The customer is responsible for correct mounting of the PCBA. Among other things, it means
 - ensuring proper and safe mounting of the PCBA into for instance the side rail.
 - ensuring proper and correct mounting between key pad connection tails and the ABL PCBA.
 - ensuring proper and correct mounting of the key pad.
 - the customer should consider proper precautions against ESD (Electrostatic discharge).
- When handling ESDS (Electrostatic Discharge Sensitive) devices – e.g. during transport, storage, handling, production or mounting in an application - exposure to harmful ESD must be avoided.
- Consider proper creepage and clearance measures to fulfil IEC 60601.
 - With One MOPP (One Means Of Patient Protection / Secondary side of the actuator system)
- It is not recommended to dismount the membrane front cover after mounting as this may cause damage.

Wireless risks and recommendations

Due to some customer concerns regarding the range of BLE, LINAK decided to set the RF sensitivity and the transmit power settings to a maximum. In addition to that, LINAK Standard BLE allows pairing all the time.

Risk 1

If a BLE hand control is to be paired with an application, this can be done without coming closer to the application, as the above-mentioned settings are at a maximum. In such a scenario, there is a risk of pairing with another application from a longer distance as opposed to the distance of the application you want to pair with. The rule is that a BLE hand control is paired with the closest BLE device that it detects, however, the BLE device is not always physically closest.

Recommendation for Risk 1

The pairing process must always be made in near proximity to the application. It must also be ensured that the pairing is done with the correct application by simply operating the application after the pairing process.

Risk 2

In case that there are more LINAK BLE applications in a building and the BLE hand controls are accidentally swapped, there is a risk of operating another BLE application if within range. This can cause unintended movement and can have severe consequences for the patients' health.

Recommendation for Risk 2

When intending to operate an application with LINAK BLE, it must be ensured that the correct BLE hand control is used. Otherwise, there is a risk of unintended movement of the application that has been paired with the BLE control.

2. ACC (MEDLINE® CARELINE®)



The ACC (Attendant Control Compact) is fitted to advanced hospital and patient care beds for use where patient positioning must be carefully controlled by medical staff.

3. ACK (MEDLINE® CARELINE®)

With the OpenBus™ system it is possible to use ACK membrane front covers as attendant control or hand controls integrated in the bed side rails.

There are two different variants of ACK: ACK1 and ACK3.

The ACK1 is a single membrane front cover, whereas the ACK3 comes with two membrane front covers, typically used on an inside side rail and an outside side rail.

Features and Options:

- Straight cables: 1250 mm, 1800 mm or 2500 mm
- The standard ACK colour is grey (RAL 7035)

Usage:

- Operation temperature: +5 °C to +40 °C
- Storage temperature: -10 °C to +50 °C
- Compatibility: Compatible with LINAK control boxes.
Please contact LINAK
- Relative humidity: 20% to 80% - non-condensing
- Atmospheric pressure: 700 to 1060 hPa (3000 m)
- Meters above sea level: Max. 3000 meters
- Approvals: IEC60601-1
ANSI/AAMI ES60601-1
CAN/CSA-22.2 No 60601-1

General information

For LINAK standard ACKs, the following is applicable:

- Adhesive for the standard ACK is 3M 7955
- For information re. suitable and unsuitable surfaces, please see 3M's webpage
- Standard recommendation for curing time is 72 hours
- The customer is responsible for correct mounting on suitable surfaces



Recommendations

- The customer responsibility includes making a proper design of the cable strain relief inside the side rail panel.
- The customer should consider the existence of vibrations when defining and specifying the housing, i.e. we recommend the customer to carry out a vibration test on the final product.
- The customer must ensure a proper IP rating/test
- The customer must ensure proper drop testing according to IEC60601-2-52 §201.15.3.4.1. In this clause there is an additional reference to IEC60601-2-31.
- The customer is responsible for correct mounting of the PCBA. Among other things, it means
 - ensuring proper and safe mounting of the PCBA into e.g. the side rail
 - ensuring proper and correct mounting between key pad connection tails and the ACK PCBA
 - ensuring proper and correct mounting of the key pad
 - the customer should consider proper precautions against ESD (Electrostatic discharge).
- When handling ESDs (Electrostatic Discharge Sensitive) devices – e.g. during transport, storage, handling, production or mounting in an application - exposure to harmful ESD must be avoided.
- Consider proper creepage and clearance measures to fulfil IEC 60601. With One MOPP (One Means Of Patient Protection / Secondary side of the actuator system)
- It is not recommended to dismount the membrane front cover after mounting as this may cause damage.

4. ACL (MEDLINE® CARELINE®)



The ACL (Attendant Control Lock) box is a one turn button box for various applications where the patient positioning must be carefully controlled by the medical staff.

The ACL disconnects all functions on hand control either by means of turn button or turn key.

The aim is to minimise the risk of unintended activation of an actuator and hereby minimising the risk of "squeezing". Due to ESF (Electronic Safety Function), the ACL / FS has to be operated using a certain technique in order to activate the switch.

It is necessary to "double click" to start the system :

- Foot pressure must be applied for a short period of time, from 30 ms to 250 ms.
- Then briefly lift the foot from (max. 40 ms to max. 550 ms pause), followed by a normal activation.
- After an activation attempt without success, a pause of min. 1. sec. is required before a new attempt.

5. ACO (MEDLINE® CARELINE®)



The Attendant Control OpenBus™ (ACO) is a cost optimised and compact unit with up to 21 buttons that can be used as hand control keys or lock-outs. The lock-out function can be made visible by using yellow LEDs.

Usage:

- Operation temperature: +5 °C to +40 °C
- Storage temperature: -10°C to +50 °C
- Relative humidity: 20% to 80% non-condensing
- Atmospheric pressure: 700 to 1060 hPa (3000 m)
- Flammability rating: V2
- Approvals: IEC 60601-1
IEC 60601-1-6
ANSI/AAMI ES60601-1
CAN/CSA-C22.2 NO. 60601-1

In order to comply with the norm, the ACO must hang vertically from its hook during the washing process.



Recommendations

- Always use Locking ring and cables with O-rings.
- Locking ring and cables with O-rings must be fitted to ensure IP degree.
- If other front covers than standards are requested, the front cover guidelines should be consulted.

N.B.

- Cables are inclusive an O-ring.

6. ACOM (MEDLINE® CARELINE®)



ACOM is the obvious control for hospital and nursing home beds where patient positioning needs careful control by medical staff. ACOM is an OpenBus™ control.

Usage:

- Operation temperature: +5 °C to + 40 °C
- Storage temperature: -10 °C to + 50 °C
- Relative humidity: 20% to 80% - non-condensing
- Atmospheric pressure: 700 to 1060 hPa (3000 m)
- Height above sea level: Max. 3000 meters
- Approvals: IEC 60601-1 Edition 3.1 (2012),
IEC 60601-1-6:2010 + A1:2013
- Compatibility: Compatible with LINAK OpenBus™ control boxes,
CO-generation



Recommendations

- Clean the hand control regularly to ensure good hygiene standards.
- When a defective ACOM is replaced, check that the new ACOM has exactly the same specification and functionality.
- Do not submerge the hand control in water.
- Unless otherwise specified or agreed with LINAK, the hand control is only intended to be used for LINAK systems.
- When changing hand controls for OpenBus™ systems, the power must be switched off.
- It is recommended to check the hand control and cable for damage and holes caused by violent handling before washing the application or at least once a year.
- It is recommended to have a parking place for the hand control on the application where the customer ensures that the hand control does not fall off.



Warnings:

- Do not sit or lie on the hand control as this can cause unintended movement of the application.

7. DPH Medical (MEDLINE® CARELINE®)

The desk panel control DPH is made especially for the medical segment. It makes it possible to differentiate product design and achieve a more aesthetic control solution.

The DPH (DPH1K10-210007) works with MJB (MJB5061101-00) and is OpenBus™ compatible.

The DPH (DPH1K10-210008 and DPH1K10-210009) fits directly into the analogue control box (CA30/CA40 or CA63).

The MJB 000 port repeater version can be used in systems where several DPH controls are needed.

Usage:

- Usage temperature: +5 °C to +40 °C
- Storage temperature: -10 °C to 50 °C
- Relative humidity: 20% to 80% - non-condensing
- Atmospheric pressure: 700 to 1060 hPa
- Height above sea level: Max. 3000 meters
- Compatibility: DPH is compatible with analogue or OpenBus™ control boxes
MJB5061101-00 to be used with DPH1K10-210007
or MJB version 000 port repeater to be used with DPH1K10-210008 or DPH1K10-210009
- Modular Junction Box:
IEC60601-1
ANSI AAMI ES60601-1,
CAN/CSA-22.2 No 60601-1
- DPH and MJB are approved in accordance with:

Functionality

DPH1K10-210007 combined with MJB5061101-00 creates the OpenBus™ codes:

Up arrow: H0

Down arrow: H1

Wrong mounting is not an issue with the MJB5061101-00 and the modular jack plug of the DPH cable. The plug will only fit into the correct MJB ports.

DPH1K10-210008, analogue (control box channel 1) or

DPH1K10-210009, analogue (control box channel 2)



The FPP is for use with a variety of different bed types and is therefore compatible with control boxes that use an OpenBus™ interface.

Usage:

- Operation temperature: +5 °C to +40 °C
- Storage temperature: -10°C to +50 °C
- Relative humidity: 20% to 80% non-condensing
- Atmospheric pressure: 700 to 1060 hPa (3000 m)
- Flammability rating: V2
- Approvals: IEC 60601-1:2005 (Edition 3)
ANSI/AAMI ES60601-1:2005
CAN/CSA-C22.2 No. 60601-1:2008

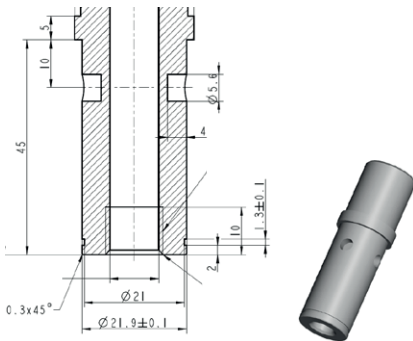
Mounting instructions:

The FPP is intended for mounting at the head end of a bed in order for the patient to be able to see and operate it with an easy push of a button. After use, it can easily be moved a short distance aside.

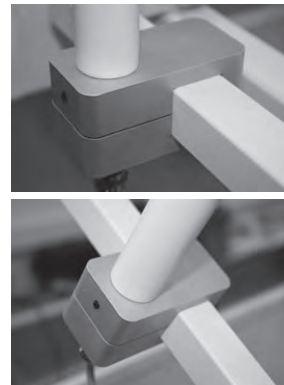
The FPP comes with a cable attached. The bottom part of the arm is prepared for mounting inside a bracket - fitting the diameter of the arm.

The bracket is not supplied by LINAK but must be designed and manufactured by the customer. It must fit the dimensions shown. A suggestion to a design and dimensions of the fixation parts are shown below:

Dimensions illustration:



Possible bracket design.



The FPP must be mounted in such a manner that it is secured against rotation. For this purpose the bracket end of the arm has 4 drilled holes - one of the 4 holes must be secured via the bracket with a slotted set screw with cone point (pointed screw).

Otherwise it may slide away from the user when operated.



Recommendations:

- The application manufacturer must ensure a proper installation of the FPP in the application which is convenient for the end user.
- To ensure proper activation, the lock above the housing must be properly locked by turning it clockwise.
- The application manufacturer must use the correct torque for the slotted set screw of the bracket to ensure a stable positioning of the FPP.
- The application manufacturer must consider the bracket position carefully. If the FPP is mounted on a moveable part, it will move and might touch the patient or parts of the application. If, however, mounted on a fixed part, the FPP might not be within the reach of the patient.
- The end user must not apply a torque to the FPP housing of more than 8 Nm between the flexible arm and the panel.
- The end user must not bend the FPP arm to a radius smaller than 105 mm.
- The FPP must never be used as a handle for moving the application.
- The end user must be informed that the FPP must not be used for other purposes (such as table, handle) than intended.
- The end user must take care that the FPP does not touch items or persons when the application is moved.



Warnings:

- The FPP must be placed readily accessible for the patient. Never let the FPP hand out of the bed.
- Never use the FPP as a handle.
- Do not use sharp devices to activate buttons on the FPP.
- Never use the FPP as support device. The FPP must not be used as table or notepad, nor can it be used to hang objects on.

As illustrated in the pictures below the panel itself can be moved and angled in a number of positions. The arm can also be bent to move it closer or move it further away from the user.



The lock function

Between the arm and the panel there is a lock/unlock function, (a hose type connection). It enables the user to turn the panel into a preferred position.

Locking of the panel:

Turn the panel to a preferred position. With one hand on the panel turn the hose clockwise with the other hand. The panel is fully locked when it cannot be turned.

Unlocking of the panel:

With one hand on the panel, turn the hose counterclockwise with the other hand until the panel can be moved freely.



9. FS (MEDLINE® CARELINE® TECHLINE®)



The Foot Switch is a modular system, developed for use together with some of LINAK control boxes. The LINAK Foot Switch is designed for control of physiotherapeutic beds, hospital beds, dentist chairs, gynaecologist chairs, computer workstations, and working desks etc.

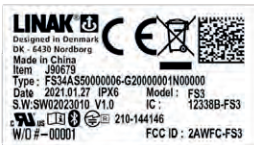
Footswitch

Consist of: FS (a pedal unit) and FSE (electronics unit), which can activate one or more actuators. The module system can max. consist of two pedal units, a FSR (right pedal), a FSL (left pedal), and one electronics box.

Features:

- To be used together with the following control boxes: CB7, CB8, CB9, CB14, CB140, CBJ
- Approvals: IEC60601-1, ANSI/AAMI ES60601-1 and CAN/CSA-22.2 No 60601-1

FS3 Floor adaptor



The LINAK® Foot Switch FS3 is an elegant control unit, allowing healthcare professionals across the sector to have both hands free when attending to patients, thus also helping to improve ergonomics. It is designed to be used in modular adjustment systems consisting of LINAK control boxes and electric LINAK IC actuators. Developed in cooperation with end users, the FS3 is specifically designed to improve and ease control of applications, such as hospital beds, treatment couches/tables and various treatment chairs. The result is a particularly user-friendly and easy-to-clean unit with an elegant and aesthetic design.

FS3 Bed adaptor



However, the FS3 is also a very robust and durable foot control available in both a single and a double version. The latter allows you to add and control more movement options, often used in more advanced applications. The FS3 is available in an analogue version as well as a digital OpenBus™ version, and for applications where trip hazards are an issue or design freedom is prioritised, the unit comes in a wireless edition too (Bluetooth® BLE).

Usage:

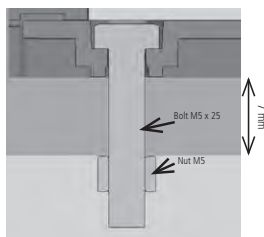
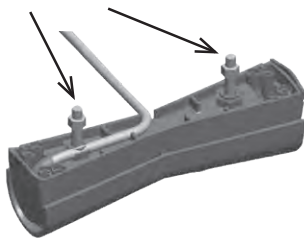
- Usage temperature: + 5 °C to + 40 °C
- Storage temperature: -10 °C to + 50 °C
- Relative humidity: 20% to 80% - non-condensing
- Atmospheric pressure: 700 to 1060 hPa (3000 m)
- Height above sea level: Max. 3000 meters
- Compatibility: Compatible with LINAK analogue and OpenBus™ control boxes. Please contact LINAK.

• Approvals:	Safety IEC60601-1 ANSI/AAMI ES60601-1 CAN/CSA-22.2 No. 60601-1	Radio RED FCC (US) IC (Canada) Telec (Japan)	Battery IEC 62133 UL 205 UN 38.8
--------------	--	---	--

Mounting of the FS3 bed model:

To mount the FS3 bed model, you have to use the bolt and the nut which have already been fitted to the FS3 bed model (see picture below).

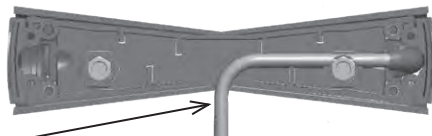
Bolt and nut for mounting



You have to remove the nut before mounting the FS3 on the bed and after mounting the FS3 to the bed, the nut is fastened to secure that the FS3 is fixed to the bed frame.

Please note that the max. torque on the nut should be 2.0 Nm (20 kg f. cm).

When mounting the FS3 bed model, it is important to run the cable through the hole of the FS3 in order to lead the cable through (see picture below).



Location of the notch for the cable of the FS3 bed model.

Functionality

Functionality overview analogue:

Code nos.	Left pedal		Single/Right pedal	
	+	-	+	-
FS3X051	N/A	N/A	1UP	1DW
FS3X052	N/A	N/A	2UP	2DW
FS3X053	N/A	N/A	3UP	3DW
FS3X054	N/A	N/A	4UP	4DW
FS3X012	1UP	1DW	2UP	2DW
FS3X013	1UP	1DW	3UP	3DW
FS3X014	1UP	1DW	4UP	4DW
FS3X021	2UP	2DW	1UP	1DW
FS3X023	2UP	2DW	3UP	3DW
FS3X024	2UP	2DW	4UP	4DW
FS3X031	3UP	3DW	1UP	1DW
FS3X032	3UP	3DW	2UP	2DW
FS3X034	3UP	3DW	4UP	4DW
FS3X041	4UP	4DW	1UP	1DW
FS3X042	4UP	4DW	2UP	2DW
FS3X043	4UP	4DW	3UP	3DW
FS3X011	1UP	1DW	1UP	1DW
FS3X022	2UP	2DW	2UP	2DW
FS3X033	3UP	3DW	3UP	3DW
FS3X044	4UP	4DW	4UP	4DW

Functionality overview OpenBus™

Code nos.	Left pedal		Single/Right pedal	
	+	-	+	-
FS3XV50	N/A	N/A	H0	H1
FS3XV51	N/A	N/A	H10	H11
FS3XV52	N/A	N/A	H20	H21
FS3XV00	H0	H1	H2	H3
FS3XV11	H10	H11	H12	H13
FS3XV22	H20	H21	H22	H23
FS3XV01	H0	H1	H0	H1
FS3XV10	H10	H11	H10	H11
FS3XV20	H20	H21	H20	H21

Functionality overview wireless

Code nos.	2 nd left pedal		Single right pedal	
	+	-	+	-
Key Mapping	Key 4	Key 3	Key 2	Key 1
FS34A55	N/A	N/A	I0	I1
FS34B55	N/A	N/A	I10	I11
FS34C55	N/A	N/A	I20	I21
FS35A55	I2	I3	I0	I1
FS35B55	I12	I13	I10	I11
FS35C55	I22	I23	I20	I21

The same software is used in both pedal 1 and 2 setups. The single pedal is always the BLE master with software. The 2nd pedal is a standard analogue FS3 driven by a single pedal.

LED functionality:

Function	LED behaviour (FS3)	LED behaviour (CB)
Enter pairing mode	LED flashes green	LED solid green
Locating control box	LED flashes green Closer = faster flashing	LED flashes green and yellow and buzzer is ON, same speed as FS3. The closer to the control box, the faster the flash. When the buzzer and the LEDs have the same sound and visual frequency, FS3 and CB are ready for pairing.
Pair	2 long LED flashes	Buzzer and LED confirmation with 2 long flashes and 2 long buzzer sounds.
If more control boxes	LED flashes	The nearest control box will increase in sound and is paired to the foot switch.



Recommendations:

- Do not pull the cable or drop the FS3 on the floor.
- Do not play with the FS3.
- Do not submerge the foot switch into water.
- Unless otherwise specified or agreed with LINAK, the foot switch is only intended to be used for LINAK systems.
- It is recommended to check the foot control for damage and holes caused by violent handling before washing the application or at least once a year.
- Always perform the pairing of foot switch and control box in close proximity to the application. Also ensure that the pairing has been made with the correct application by operating the application after ended pairing.
- When intending to operate an application with LINAK Bluetooth® Low Energy, please ensure that the correct BLE foot switch is used. Otherwise, there is a risk of unintended movement of the application that has been paired with the BLE foot switch.



Warnings:

Wireless risks and recommendations

RF sensitivity and the transmitting power have been set to a maximum. In addition, LINAK standard BLE allows pairing all the time.

Risk 1

If a BLE foot switch is to be paired with an application, this can be done without being next to the application as the transmitting power settings have been set to a maximum. Under such circumstances, there is a risk of pairing with another application from the distance. As a rule, a BLE foot switch is paired with the closest detectable BLE device, however, the BLE device is not always physically closest.

Risk 1 - remedy

The pairing procedure must always be made in near proximity to the application. It must also be ensured that the pairing has been made with the correct application by simply operating the application after ended pairing.

Risk 2

If a building is equipped with several LINAK BLE applications and the BLE foot switch is accidentally swapped, there is a risk of operating another BLE application if within range. This can cause unintended movement and consequently influence patients' health.

Risk 1 - remedy

When intending to operate an application with LINAK BLE, it must be ensured that the correct BLE foot switch is used. Otherwise, there is a risk of unintended movement of the application that has been paired with the BLE foot switch.

Batteries

What batteries to use

The FS3 Wireless must be equipped with two AAA batteries. Due to the availability of AAA batteries, we recommend that you buy the batteries locally. If you prefer to buy from LINAK A/S, the LINAK part number is: 0063010.

How to mount batteries correctly

1. Underneath the FS3 Wireless. Remove Phillips screws and remove battery cover.
2. Place batteries correctly to ensure the electrical polarity and place battery cover again.

1.



2.



Battery replacement:





Depending on usage, the lifetime is estimated to 3-4 years.

Low battery indication

When the FS3 Wireless foot switch is activated and the battery voltage = < 2.4 V and > 2.2 V, the LED will flash with 250 m/s ON/OFF 4 times and then turn off.

When the battery voltage is lower than 2.2 V, the LED does not flash anymore and the battery must be replaced.

FS3 wireless pairing:

	Open the battery cover on the back of FS3. Place batteries and move within 2 meters of the control box.
	Activate Direct Pairing by pressing the button under the battery cover for 3 seconds. Buzzer and LED are now activated.
	Move the foot switch within 10 cm of the control box until the buzzer frequency changes from slow to fast.
	Confirm pairing by pressing the button under the battery cover. A double confirmation beep means that pairing is OK.



The HB30 hand control is designed for better user experience and ergonomic fit for the hands of caregivers. The compact size ensures one hand operation. The HB30 is especially suitable for patient lifts and other MEDLINE® and CARELINE® applications like couches, tables and chairs for treatment and examination. The HB30 is available in an analogue version and an OpenBus™ version.

Usage:

- Usage temperature: 5 °C to 40 °C
 - Storage temperature: -10 °C to +50 °C
 - **Compatibility: Analogue JUMBO Systems**
Analogue JUMBO systems with diode and OpenBus JUMBO versions
All OpenBus control boxes
CAL40, CAL40+ and COL50
 - **Approvals: IEC60601-1**
ANSI/AAMI ES60601-1
CAN/CSA-22.2 No 60601-1
- The HB30 is biocompatibility tested and approved according to DS/EN ISO 10993-5:2009, biological evaluation of medical devices - part 5: Tests for in vitro cytotoxicity. It is a demand for hand-held devices for patient lifts.
The HB30 has a compact design and therefore it cannot be approved according to EN IEC60601-2-52 (Application Environment 4 for care beds used in Domestic areas (or EN1970)).

How to identify the cables:

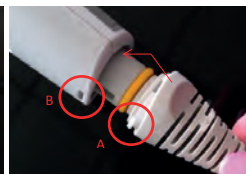


Each cable has a label for easy identification of item number and for which control box it is intended.

How to mount a cable:



Step 1:
Mount the cable lock and fix it to the



Step 2:
Fix the cable tab on the hand control's front side first.
Push in and twist a bit to fix the tab (see picture fit A into B).



Step 3:
Fix the tab on the back as well by pushing.

How to remove a cable:



Step 1:
Release the cable by pushing e.g. a screwdriver into the hole on the back of the hand control. Twist and release.



Recommendations

- Please ensure that you use the right cable type to ensure the wished functionality. In case of lack of functionality of your hand control, check that the hand control cable is the right one for the intended control box or contact your local LINAK representative.
- Please note that HB3X0L0 version (analogue with diode) is not supported by the CBJC. The diode will light up at all times if used with the CBJC.
- Do not submerge the hand control under water.
- Unless otherwise specified or agreed with LINAK, the hand control is only intended to be used on LINAK systems.
- Do not sit or lie down on the hand control. It can cause unintended movement of the application.
- When changing hand controls for OpenBus™ systems, the power must be switched off.
- The force of the magnet depends on the thickness and the type of the lacquering, stickers, steel thickness etc. It is the responsibility of the customer to verify that the holding force on the application is acceptable.
- For hand controls with magnets it is the responsibility of the user/operator to evaluate any possible risk caused by use of permanent magnets.
- For hand controls with magnets it is recommended to have a parking place for the hand control on the application, where the customer ensures that the hand control does not fall off.

12. HB70 (MEDLINE® CARELINE®)

Item : HB756E000-10600

Date : 2016.01.07 IPX6

NOT TO BE OPENED BY UNAUTHORIZED PERSONNEL
NE PAS OUVRIER PAR DU PERSONNEL NON AUTORISÉ



W/O #1234567-1234 MADE BY LINAK A/S DENMARK

The HB70 offers simultaneous drive of multiple actuators which can be used for the memory options. The hand control HB70 can be used for both OpenBus™ and analogue systems and comes in 3 colours: black, dark grey and light grey.

Usage:

- Compatible with most LINAK control boxes.
- Approved according to: EN 60601-1, EN 60335-1 and UL 60601-1 as part of a LINAK actuator system



Recommendation

- It is not possible to combine HB7x with the binary based CB9..PM/PN.
- The IPX6 Washable version has a special adhesive for the front covers.
- The HB75xE0 used together with CB140 will give trend and anti-trend on channel 1 and 2 of the control box when using the last button row.
- All front covers use the codes W0 (not Washable) and WW (Washable) Memory:

Memory:

- The memory and parallel functions require the control box to have a microprocessor.
- When storing a memory position on the control box, the actuators must run to the desired position and the "store" button (S) must be pushed. Then the desired memory position button (1, 2 or 3) must be activated within 2 seconds.

13. HB80 (MEDLINE® CARELINE®)



The HB80 hand control has an optimised ergonomic design shaped for the hand. The hand control is suitable for all kinds of MEDLINE and CARELINE applications such as hospital beds, patient lifts, treatment and examination couches etc.

The HB80 hand control is available in versions with up to 10 or 12 activation buttons.

Usage:

- Usage temperature: 5 °C to 40 °C
 - Storage temperature: -10 °C to +50 °C
 - Compatibility: Compatible with many LINAK control boxes. For further questions, please ask your local LINAK.
 - Approvals: IEC60601-1:2005 3rd edition, ANSI/AAMI ES60601-1:2005 3rd edition, and CAN/CSA-22.2 No 60601-1:2008.
- The HB86 version has a shorter distance between the buttons and cannot be approved according to EN IEC60601-2-52 Application Environment 4 for care beds used in Domestic area (or EN1970). HB80 is designed and tested in accordance with EN60601-2-52 cl. 201.11.6.6.101 (Machine washable medical beds). The HB80 must hang vertically from its hook during the washing process.
- In order to maintain the flexibility of the cables, it is important that a coiled cable is placed in such a way that the cable's own weight does not strain the coil during the washing process.



Recommendations

- Clean the hand control regularly to ensure good hygiene standards.
- When a defective HB80 is replaced, check that the new HB80 has exactly the same specification and functionality.
- Do not submerge the hand control under water.
- Unless otherwise specified or agreed by LINAK - the hand control is only intended to be used on LINAK systems.
- When changing hand controls for OpenBus™ systems, the power must be switched off.
- It is recommended to check the hand control and cable for damage and holes made by violent handling before washing the application or at least once a year.
- It is recommended to have a parking place for the hand control on the application, where the customer ensures that the hand control does not fall off.

For hand controls with magnets:

- If hand controls with magnet are attached to a smooth surface, a movement or twisting of the cable, for example during transport, can cause the hand control to move and result in damage if the cable is squeezed.
- The force of the magnet depends on the thickness of the lacquering, the lacquering type, stickers, steel thickness etc. It is the responsibility of the customer to verify that the holding force on the application is acceptable.
- It is the responsibility of the user/operator to evaluate any possible risk caused by use of permanent magnets.



Warnings

- Do not sit or lie on the hand control. It can cause unintended movement of the application.
- There is a risk that items with internal magnet for mounting instead of hook can disturb function of cardiac pacemaker, implantable cardioverter defibrillators or magnetic implants!

LINAK
Designed in Denmark
DK - 6430 Nordborg



Type: HB1101A100100XXA002W2111R20000
 Item: HB110A00X-00 IPX6 Washable
 Date: 2020.02.06
 S.W.: SW02020202 Ver. X.X
 W/O #12341234 - 0001
 MADE IN DENMARK



The HB100 is an intelligent hand control with the LINAK® Weighing Solution. It features a 2.4" colour display with a full navigation menu keypad, thus allowing the display to be dynamic without physically having to change the hand control. The HB100 will automatically scan the system and only show the features available to create a user-friendly experience.

The HB100 will be available with different software versions:

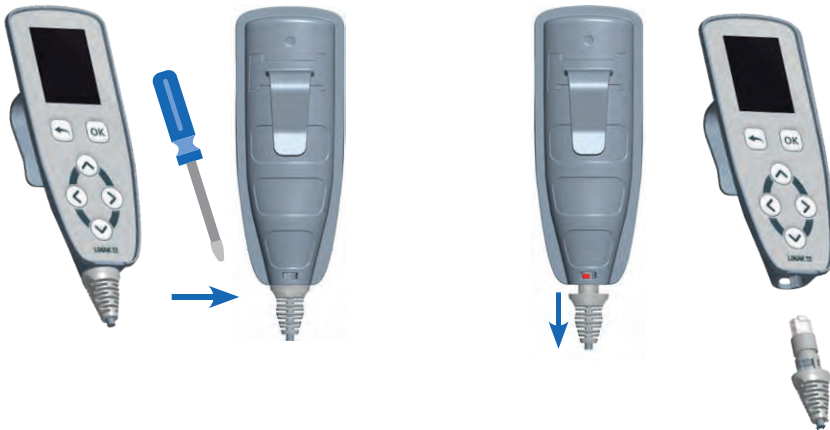
- HB110: The LINAK Weighing Solution. Together with the QLCI2, the HB110 is capable of displaying the weight of a patient as well as setting the Out Of Bed feature.

Usage:

- Operation temperature: +5 °C to + 40 °C
- Storage temperature: -10 °C to + 50 °C
- Relative humidity: 20% to 80% - non-condensing
- Atmospheric pressure: 700 to 1060 hPa
- Height above sea level: Max. 3000 meters
- Approvals: IEC 60601-1:2005 + Amd.1:2012 (Consolidated version IEC 60601-1:2012 Ed. 3.1)
IEC 60601-1-2:2014 Ed. 4
- Compatibility: All OpenBus™ control boxes
- Flammability rating: V2
- Latex free: Yes

Replacing the cable

The cable for the HB100 can be replaced if damaged. To remove the cable, the cable lock must first be unlocked. This is done by moving the lock-pin clockwise with a screwdriver or another small object, until a red marker shows. When inserting a new cable, the lock pin must be moved counter-clockwise to secure a fastened cable connection.



Recommendations

- Keep the hand control upright when washing
- Do not submerge the hand control in water
- Unless otherwise specified or agreed with LINAK, the hand control is only intended to be used for LINAK systems
- When changing hand controls for OpenBus™ systems, the power must be switched off
- It is recommended to check the hand control and cable for damage and holes caused by violent handling before washing the application or at least once a year.

Warnings

- Do not sit or lie on the hand control. It can cause unintended movement of the application
- The application manufacturer must write an end-user manual based on the LINAK user manual which also includes relevant warnings, information on how to carry out regular inspection and a functionality description. End-users must be trained in all functions.



Item: HB1909A01010002D001W1111C10000
Date: 2020.05.06 IPX6 Washable
S.W.: SW02021085V1-0C1001
W/O #: 12345678-0001
MADE IN DENMARK



The HB190 is an advanced hand control designed for high-end medical equipment. It contains 9.5 rows, giving the care staff 19 buttons for activation. It is equipped with 21 LEDs, providing user-friendliness due to the clear overview of the battery status, locking status and service indication.

Furthermore, the HB190 comes with an exchangeable cable and is IPX6 Washable DURA™, ensuring a long product lifetime.

Usage:

- Operation temperature: +5 °C to + 40 °C
- Storage temperature: -10 °C to + 50 °C
- Relative humidity: 20% to 80% - non-condensing
- Operational atmospheric pressure: 800 to 1060 hPa
- Storage atmospheric pressure: 700 to 1060 hPa
- Operational meters above sea level: Max. 2000 meters
- Approvals: IEC60601-1
IEC60601-1-2
- Compatibility: All OpenBus™ control boxes
- Flammability rating: UL94 V2
- Latex free: Yes



Recommendations

- Unless otherwise specified or agreed with LINAK, the hand control is only intended to be used for LINAK systems.
- Inform the customer only to use the magnet key supplied by LINAK.
- It is recommended to make a functional test of the application before setting it into operation.
- Inspect the cable lock before use. If the red indicator is visible, the cable is unsecured. The detachable cables must also be locked.
- In order to maintain the cable flexibility, it is important to place a coiled cable in such a way that its own weight does not strain the coil during the washing process.
- When changing hand controls for OpenBus™ systems, the power must be switched off.
- Clean the hand control regularly to ensure good hygiene standards.
- It is recommended to check the hand control and cable for damage and holes caused by violent handling before washing the application or at least once a year.
- Do not submerge the hand control into water.
- Keep the hand control in upright position with the cable downward when washing.
- Does not comply with the 10/15 rule (IEC 60601-2-52:2009 Annex BB. 3.3.3)
- Be aware of the current consumption which is 28 mA. With all LEDs lit it will be 65 mA.

LED current consumption:

Red LED	1.2 mA
Yellow LED	1.7 mA
Green LED	3.9 mA
White LED	1.3 mA



Warnings

- Do not sit or lie on the hand control. It can cause unintended movement of the bed.
- If the hand control shows signs of damage, is dropped or otherwise damaged, the LEDs and backlight might be unfit to use and might show incorrect information.
- Inform the customer that after loss of mains power, the lock state is reset to the default setting. Be aware of a special setup for a magnet lock of low power system in case of power down on mains. Also be aware that the lock is reset when running on battery or when powered down.
- Inform the customer that using the magnet key cannot wake up a low-power system or a system running on battery. The system will wake up when a key is activated.
- Inform the customer that a powerful magnetic field may change the lock state.
- Always use O-ring on connectors and cable locks.



The HB200 Wireless is a Bluetooth Low Energy (BLE) hand control for the medical and beds segments. It is available with 3 to 5 rows and locking of individual channels by using a magnet key. One LED will function as pairing and battery indicator.

Usage:

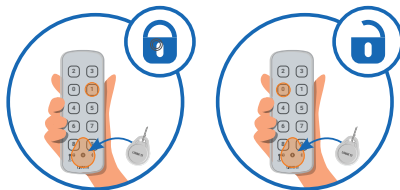
- Operation temperature: +5 °C to + 40 °C
- Storage temperature: -10 °C to + 50 °C
- Relative humidity: 20% to 80% non-condensing
- Operation temperature: +5 °C to + 40 °C
- Storage temperature: -10 °C to + 50 °C
- Relative humidity: 20% to 80% non-condensing
- Atmospheric pressure: 700 to 1060 hPa
- Approvals:
 - IEC 60601-1
 - IEC 60601-1-6
 - IEC 60601-1-2
 - ANSI/AAMI ES60601-1
 - CSA CAN/CSA-C22.2 NO. 60601-1
 - RED 2014/53/EU
 - FCC Part 15.249
 - IC RSS247
 - Telec MIC.
 - All OpenBus™ BLE control boxes

Functionality

Locking is possible with/without the magnet and pressing a key on the HB200. Please note that the way to lock must be defined in the control box software.

As an example to lock with magnet: hold the magnet key over the marking (Ⓢ) and press an odd key number (Typically the up arrow). To unlock a row use the magnet key and press an even number (Typically the down arrow).

- Compatibility:



Magnet key

Remember to order magnet key:
Magnet key - ordering no. 0858008 (RAL 7035 light grey)



Battery

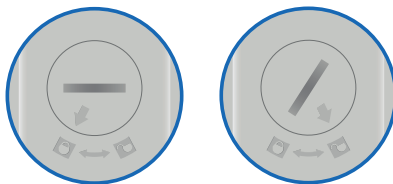
The battery in the HB200 is a standard CR2032 coin cell battery.

Battery lifetime

With a usage of 140 sec/day, the HB200 will last approximately two years.

Changing the battery

To change the HB200 battery, open the battery cover on the back using a coin or a similar tool to turn the arrow counterclockwise from the locked state to the unlocked state.



Low battery indication - When the battery power level falls below 20%, the LED will flash 4 times when a key is pressed.

New battery indication - When the battery has been changed, the LED will be lit for 4 seconds after the first keypress.



Battery cover:

It is possible to order extra battery covers.
Battery cover ordering no. SA1031W9012



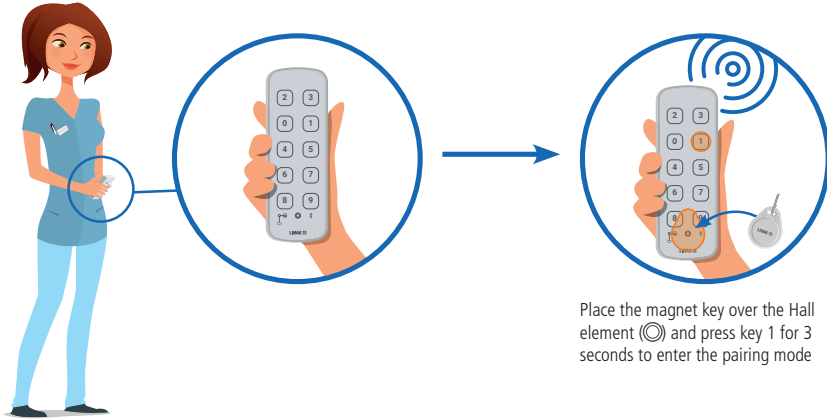
Pairing Bluetooth devices

Direct pairing

Direct pairing is used for pairing a LINAK control directly to a LINAK control box that supports BLE.

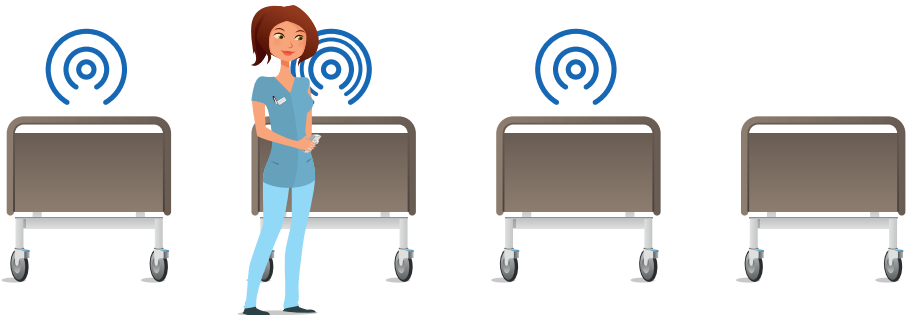
1. Enter pairing mode
2. Move the hand control closer to the control box you want to pair with
3. Pair the hand control with the control box

Entering Pairing Mode



Place the magnet key over the Hall element (⊙) and press key 1 for 3 seconds to enter the pairing mode

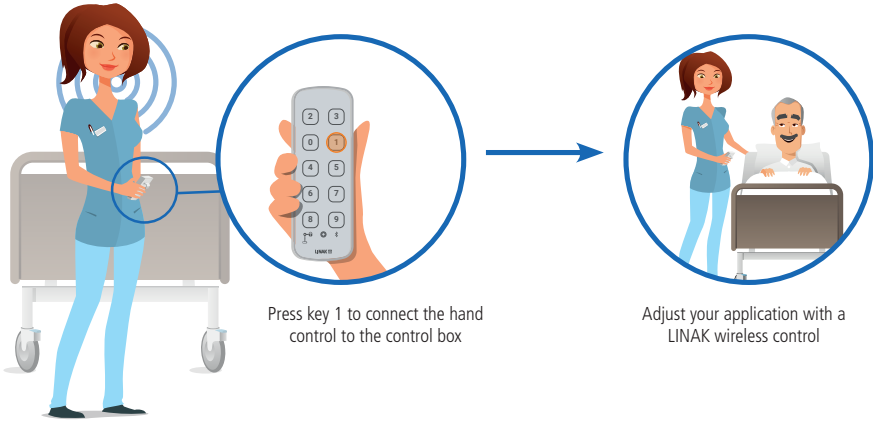
When in pairing mode, the control box buzzer will begin to beep, and the LED will begin to blink. The control unit LED will also begin to blink with the same frequency as the nearest control box.



In pairing mode, the light/sound frequency will increase when the HB200 gets closer to a control box.

Connecting to the control box

When the hand control LED is blinking fast and the control box gives a high frequency sound in the same speed, the devices are ready for pairing. To finalise the pairing, press Key 1 on the hand control.



Recommendations

- Do not submerge the hand control in water.
- Unless otherwise specified or agreed with LINAK, the hand control is only intended to be used for LINAK systems.
- It is recommended to check the hand control for damage and holes caused by violent handling before washing the application or at least once a year.
- Always perform the pairing of hand control and control box in close proximity to the application. Also ensure that the pairing has been made with the correct application by operating the application after ended pairing.
- When intending to operate an application with LINAK BLE, please ensure that the correct BLE hand control is used. Otherwise, there is a risk of unintended movement of the application that has been paired with the BLE hand control.
- When changing the battery, the battery cover must be lubricated with technical white Vaseline for easy mounting and to avoid fluids from entering the hand control.
- The string attachment hole must not be used as a magnet key placeholder. The HB200 locking mode can be activated by the magnet key both on the front and the back of the hand control resulting in unavailable drive functions.



Warnings

Wireless risks and recommendations

Due to some customer concerns regarding the range of BLE, LINAK decided to set the RF sensitivity and the transmit power settings to a maximum. In addition to that, LINAK Standard BLE allows pairing all the time.

Risk 1

If a BLE hand control is to be paired with an application, this can be done without coming closer to the application, as the above-mentioned settings are at a maximum. In such a scenario, there is a risk of pairing with another application from a longer distance as opposed to the distance of the application you want to pair with. The rule is that a BLE hand control is paired with the closest BLE device that it detects, however, the BLE device is not always physically closest.

Recommendation for Risk 1

The pairing process must always be made in near proximity to the application. It must also be ensured that the pairing is done with the correct application by simply operating the application after the pairing process.

Risk 2

In case that there are more LINAK BLE applications in a building and the BLE hand controls are accidentally swapped, there is a risk of operating another BLE application if within range. This can cause unintended movement and can have severe consequences for the patients' health.

Recommendation for Risk 2

When intending to operate an application with LINAK BLE, it must be ensured that the correct BLE hand control is used. Otherwise, there is a risk of unintended movement of the application that has been paired with the BLE hand control.



The HD80 makes it possible to have two hand controls in one unit. The hand control is equipped with a magnet locking function, making it possible to have two levels of operation – one for the patient and relatives and one for the caregiver staff. The HD80 provides a great overview using LED indication of functions being locked or unlocked. The hand control is designed to work with OpenBus™ systems.

Usage:

- Usage temperature: 5 °C to 40 °C
- Storage temperature: -10 °C to +50 °C
- Compatibility: Compatible with CB6 and OpenBus™ control boxes. Please contact LINAK
- Relative humidity: 20% to 80% - non-condensing
- Atmospheric pressure: 700 to 1060 hPa (3000 m)
- Height above sea level: Max. 3000 meters
- Approvals: IEC60601-1, ANSI/AAMI ES60601-1 and CAN/CSA-22.2 No 60601-1

Standard HD80 - HD84C1J0550004-200120012D1C000

Item number J90208

This hand control can be used as a combination of a hand control and the ACO. It has two levels of operation, where the first is a patient mode with regular operations like hi/lo and trend/anti-trend. Use the magnet key to operate the next level, care mode, where it is possible to lock functions. The LEDs show which functions are locked and which are not.

Magnet key - article no. 0858008



Warning

- Do not sit or lie on the hand control. It can cause unintended movement of the bed.
- Inform the customer that after loss of mains power, the lock state is reset to the default setting. Be aware of a special setup for a magnet lock of low power system in case of power down on mains. Also be aware that the lock is reset when running on battery or when powered down.
- Inform the customer that using the magnet key cannot wake up a low power system or a system running on battery. The system will wake up when activating a key and then the magnet key can unlock the system.
- Inform the customer that a powerful magnetic field may change the lock state.
- Always use O-rings on connectors and cable locks.
- There is a risk that items with internal magnet for mounting instead of hook can disturb function of cardiac pacemaker, implantable cardioverter defibrillators or magnetic implants!



Recommendations

- Inform the customer to use only the magnet key supplied by LINAK. We also recommended to make a functional test of the application before putting it into operation.
- Clean the hand control regularly to ensure good hygiene standards.
- When replacing a defective HD80, check that the new HD80 has exactly the same specification and functionality.
- Do not submerge the hand control under water.
- Unless otherwise specified or agreed by LINAK, the hand control is only intended to be used on LINAK systems.
- When changing hand controls for OpenBus™, the power must be switched off.
- It is recommended to check the hand control and cable for damage and holes made by violent handling before washing the bed or at least once a year.
- In order to maintain the flexibility of the cables, it is important that a coiled cable is placed in such a way that the cable's own weight does not strain the coil during the washing process.

For hand controls with magnets:

- If hand controls with magnets are hooked on a smooth surface, a movement or twisting of the cable, for example during transport, can cause the hand control to move and result in damage if the cable gets squeezed somewhere.
- The force of the magnet depends on the thickness of the lacquering, the lacquering type, stickers, steel thickness etc. It is the responsibility of the customer to verify that the holding force on the application is acceptable.
- It is the responsibility of the user/operator to evaluate any possible risk caused by use of magnets.
- It is recommended to have a parking place for the hand control on the application where the customer ensures that the hand control does not fall off.

18. HD80 JUMBO (MEDLINE® CARELINE®)



The HD80 JUMBO is a hand control with an optimised ergonomic design and functions that are activated via dome buttons.

Usage:

- Usage temperature: 5° C to 40° C
- Storage temperature: -10° C to +50° C
- Compatibility: Only compatible with CBJ Care
- Relative humidity: 20% to 80% - non-condensing
- Atmospheric pressure: 700 to 1060 hPa (3000 m)
- Height above sea level: Max. 3000 meters
- Flammability rating: UL94-V2
- Approvals: IEC60601-1, ANSI/AAMI E560601-1 and CAN/CSA-22.2 No 60601-1



Warnings

- Do not sit or lie on the hand control. It can cause unintended movement of the application.
- Always use O-ring on connectors and cable locks.
- There is a risk that items with internal magnet for mounting instead of hook can disturb cardiac pacemaker functions, implantable cardioverters, defibrillators or magnetic implants.



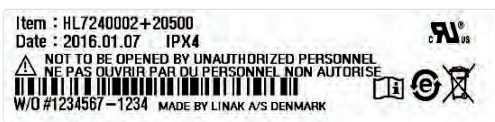
Recommendations

- Clean the hand control regularly to ensure good hygiene standards.
- When a defective HD80 is replaced, check that the new HD80 has exactly the same specification and functionality.
- Do not submerge the hand control under water.
- Unless otherwise specified or agreed by LINAK, the hand control is only intended to be used on LINAK systems.
- When changing hand controls for OpenBus™, the power must be switched off.
- It is recommended to check the hand control and cable for damage and holes made by violent handling before washing the bed or at least once a year.
- In order to maintain the flexibility of the cables, it is important that a coiled cable is placed in such a way that the cable's own weight does not strain the coil during the washing process.

Hand controls with magnets:

- If hand controls with magnet are hooked on a smooth surface, a movement or twisting of the cable, for instance during transport, can cause the hand control to move and result in damage, if the cable is squeezed somewhere.
- The force of the magnet depends on the lacquering thickness, the lacquering type, stickers, steel thickness etc. The customer has the responsibility to verify that the holding force on the application is acceptable.
- The user/operator is responsible for evaluating any potential risk caused by the use of magnets.
- It is recommended to have a parking spot for the hand control on the application where the customer ensures that the hand control does not fall off.

19. HL70 (MEDLINE® CARELINE®)



The HL70 is a hand control with integrated locking function, where a selective locking of the different functions is available by use of a special key.

The HL70 is an alternative to the HB70 combined with an attendant control panel such as the ACL.

Usage:

- Exchangeable with HB70
- Operation temperature: +5 °C to +40 °C
- Storage temperature: -10 °C to +50 °C
- Relative humidity: 20% to 80% - non-condensing
- Atmospheric pressure: Max. 3000 meters
- Compatible with many LINAK control boxes
- Approvals: IEC 60601-1
IEC 60601-1-6
ANSI/AAMI E560601-1
CSA CAN/CSA-C22.2 NO. 60601-1



Recommendations

- To switch between locked and unlocked position a small knob between the two push buttons has to be turned 20° by use of a special key. The key is for the use of the nursing staff only, there are two types, one is made of plastic the other metal.
- For all types: Attention should be given to ensure that the channels shown correspond to the channels available on the chosen control box.
- The HL70 must hang vertically from its hook during the washing process. In order to maintain the flexibility of the cables, it is important that a coiled cable is placed in such a way that the cable weight does not strain the coil during the washing process.

20. HL80 (MEDLINE® CARELINE®)



The HL80 hand control has an optimised ergonomic design and switch activations.

The HL80 is a lockable hand control, which makes it possible to lock or unlock one or several functions.

It is available in several different standard versions with a variation of bed symbols for easy interaction with end-users.

Usage:

- Approvals: IEC60601-1, ANSI/AAMI ES60601-1 and CAN/CSA-22.2 No 60601-1

Warnings

- When using the locking function on HL80 check that the hand control switches are actually locked.
- Locking function on HL80 only locks the actual hand control.
- Do not sit or lie on the hand control. It can cause unintended movement of the application.
- Locking of a single channel at HL80 do not necessarily prevent that channel from activation, if the same channel are covered by another hand control button (e.g. at simultaneous drive) or another control unit.
- There is a risk that items with internal magnet for mounting instead of hook can disturb function of cardiac pacemaker, implantable cardioverter defibrillators or magnetic implants!.

Recommendations

- Violent use of the key on HL80 can cause either damage to the keyhole or the key itself.
- If a lock key is missing, then full control over the application could be missing.
- Clean the hand control regularly to ensure good hygiene standards.
- When a defective HL80 is replaced, check that the new HL80 has exactly the same specification and functionality.
- Do not submerge the hand control under water.
- Unless otherwise specified or agreed by LINAK, the hand control is only intended to be used on LINAK systems.
- When changing hand controls for OpenBus™ systems, the power must be switched off.
- It is recommended to check the hand control and cable for damage and holes made by violent handling before washing the application or at least once a year.
- It is recommended to have a parking place for the hand control on the application, where the customer ensures that the hand control does not fall off.

For hand controls with magnet:

- If hand controls with magnet are attached to a smooth surface, a movement or twisting of the cable, for example during transport, can cause the hand control to move and result in damage if the cable is squeezed.
- The force of the magnet depends on the thickness of the lacquering, the lacquering type, stickers, steel thickness etc. It is the responsibility of the customer to verify that the holding force on the application is acceptable.
- It is the responsibility of the user/operator to evaluate any possible risk caused by use of permanent magnets.

21. LS (MEDLINE® CARELINE® TECHLINE®)



There are two types of LINAK limit switches, for actuators type LA22, LA30, LA30S, LS, and LSD.

The LS type gives a signal in two fixed end positions, but requires a control unit to stop the actuator when the microswitches are activated.

22. LSD (MEDLINE® CARELINE® TECHLINE®)



The LSD type controls the stroke length of the actuator between two fixed end positions by cutting off the current to the motor.

7. Information on specific JUMBO™

1. BAJ (MEDLINE® CARELINE®)



The battery pack BAJ has been specially developed for use with the JUMBO system.

They are easy to exchange through an integrated snap system, and can easily be mounted on the mounting brackets.

Usage:

- BAJ is a part of the JUMBO system. It is compatible with CBJ1/CBJ2, CHJ2, CBJ Care and COBO
- Duty cycle: 10 % or 2 min. continuous use then 18 min. not in use
- Ambient temperatures: +5 °C to +40 °C
- Storage temperature: -15 °C to +40 °C
- Relative humidity: 20% to 80% - non-condensing
- Atmospheric pressure: 700 to 1060 hPa
- Height above sea level: Max. 3000 meters
- Flammability rating: UL94-V0
- Approvals: IEC60601-1, ANSI/AAMI ES60601, CAN/CSA-22.2 No 60601-1

Charging:

BAJ can be charged by

- Charger CHJ2
- Control box CBJ1/2, CBJ Care, COBO
- BAJ with integrated DC plug can also be charged by use of the external charger CH01



Warning

Check at regular intervals that the ventilation hole is undamaged and intact. The construction of the ventilation stub permits battery gasses to get out, but it does not permit penetration of water.

2. BAJL Li-Ion (MEDLINE® CARELINE®)



The BAJL Li-Ion battery pack has been specially developed for use with the JUMBO system for patient lifts and sit to stand lifts. It is a low-weight battery with reliable and high performance.

Usage:

- Compatibility: CBJ Care, COBO, CHJ2 and CH01
- Duty cycle:
 - BAJL003xxxxxxx: 10 % (2/18 min.) at max. current draw 10 Amp (ambient temperature \leq 30 °C)
10 % (2/18 min.) at max. current draw 8 Amp or
5% (1/19 min.) at max. current draw 10 Amp (ambient temperature > 30 °C)
 - BAJL004xxxxxxx: 10 % (2/18 min.) at max. current draw 10 Amp (standard ambient temperature recommendations)
- Charging: Via JUMBO wall charger CHJ2 or via JUMBO control box with integrated charger
- Charging state: Maximum 30% when shipped from LINAK
- Recharging during storage: Recharge the battery 6 months at the latest after production date stated on the label
- Operating temperature: +5 °C to +40 °C
- Charging temperature: +10 °C to +40 °C
- Charging time: Type 3: 3 to 4 hours - Type 4: 6 to 8 hours
- Storage temperature: -10 °C to +40 °C (+10 °C to +25 °C - recommended)

The batteries must be stored in an applicable storage room without direct sunlight.

- Relative humidity: 20% to 80% - non-condensing
- Atmospheric pressure: 700 to 1060 hPa (3000 m)
- Height above sea level: Max. 3000 meters
- Approvals: IEC60601-1:2005 3rd edition,
ANSI / AAMI ES60601-1:2005, 3rd edition,
CAN / CSA-22.2 No 60601-1:2008,
IEC62133 2nd edition,
UL2054, 2nd edition
PSE (pending)
UN38.8, 6th edition (needed for transport of lithium batteries)

Mounting

Do not mount the battery upside down.

Please follow the mounting instructions of the control box e.g. CBJ Care or COBO.

Standby mode

When the BAJL Li-Ion is not being used for a longer period - more than a week - or when it is on stock, it enters into a standby mode to save power and protect the battery from deep discharge.

- Please connect the charger for approx. 15 seconds to exit the standby mode before use.
- There is no audio signal to indicate the standby mode or to indicate exit of standby mode.

After exit of the standby mode

If there is still no power on, the battery needs to be charged. After charging, the hand control and/or the control box will indicate the battery capacity level again

Deep discharge protection

The BAJL Li-Ion has a deep discharge protection to extend the battery lifetime. The deep discharge protection is activated when the battery is discharged.

- Please connect the charger for approx. 15 seconds to exit the deep discharge mode before use.

If the battery is completely discharged, the charging will be started at a very small rate to protect the battery. This small charging rate is not sufficient to turn on the light in the charger, and therefore the user may believe that the system has not yet started. Depending on the battery state, it may take several hours to get to the normal charging state. The orange light of the control box will not be turned on as the operation is analogue. It is therefore not possible to see that the charging has started, however, only at a low level.

If any of the lithium ion batteries built into LINAK products is found to be defective under warranty, LINAK will provide a new product to the OEM. LINAK explicitly disclaims all other remedies. LINAK shall not in any event be liable under any circumstances for any special indirect punitive incidental or consequential damages or losses arising from any incident related to the inherent risk of thermal runaway in the lithium ion cell and any use of LINAK products. Moreover, LINAK explicitly disclaims lost profits, failure to realise expected savings, any claim against our customer by a third party, or any other commercial or economic losses of any kind, even if LINAK has been advised of the possibility of such damages or losses.

Transportation

The lithium ion batteries must be packed and transported according to applicable regulations. Always ask your local transportation provider how to handle the transportation of lithium ion batteries.



Recommendations:

- Do not exceed the storage temperature as it will shorten the lifetime and performance.
- Adhere to the battery storage temperature or else the lifetime and performance will be reduced.
- Allow the battery to settle to room temperature before use or charging.
- Only use correct LINAK charger (CHJ2, CH01, integrated charger in JUMBO control box or COBO).
- Adhere to the duty cycle or else the lifetime and performance will be reduced.
- BAJL Li-Ion is intended for use in indoor applications, however not in indoor pool environments.
- Recharge the battery before storage if it has been completely discharged.
- Unintentional use of the emergency button, e.g. short activation and deactivation of the emergency button after operating the actuators, can lead to an error indication of remaining battery capacity. The battery capacity will however be shown correctly approx. 20 seconds after activation of the emergency button.
- The BAJL goes into sleep mode approximately 20 seconds after the CBJ Care enters into sleep mode. If the CBJ Care is reactivated within this period, it can lead to a wrong remaining battery capacity indication. The remaining battery capacity will however be shown correctly approx. 20 seconds after the reactivation of the CBJ Care.

Safety feature

BAJL Li-Ion contains several mechanisms to protect itself from being damaged due to excessive use.

In case of overheating, the device will activate a thermal protection. No power output will be available until the temperature has returned to normal operating range. Overheating may occur by extensive use at high temperature or by exceeding the duty cycle.

Battery safety

LINAK li-ion batteries for medical use are designed and manufactured to be safe through the product lifetime. LINAK has performed various tests of the batteries in normal use, abuse situations and failure situations to verify the design and production methods. These tests have not shown any unacceptable risks.

The batteries are also UL-tested to have an independent organisation verify the safety of the design and to obtain a safety certificate.

This means that UL regularly inspects the factory to check that standards are complied with.

UL has tested in accordance with the following standards:

UN38.3, 6th edition - Battery Transportation Safety

IEC62133 Battery Safety

UL2054, 2nd edition - Standard for Household and Commercial Batteries



Warnings

ALL LI-ION BATTERY USERS MUST READ THESE IMPORTANT BATTERY SAFETY INSTRUCTIONS AND WARNINGS BEFORE USING LI-ION BATTERIES.

Failure to read and follow these safety instructions and warnings may result in fire, personal injury, and equipment damage if the batteries are charged and/or used improperly.

Lithium ion batteries differ from the lead acid technology as they have a built-in deep discharge protection.

- In case of continuous use despite warnings, a power loss might occur due to the battery deep discharge protection. In this event, there may be no warning and the application may not be able to move when expected.
- The combination of CBJ1 or CBJ2 with BAJL might not be able to complete a full cycle after the low battery audio signal.
- The risk analysis for the final application must allow for the ensurance of alternative means to make movement, for instance quick release or manual lowering.
- Do not open, disassemble or modify the battery housing as cell or circuitry damage may develop excessive heat.
- Discontinue the battery use immediately if the battery emits an unusual smell, feels hot, changes colour or shape, shows signs of damage or corrosion or appears abnormal in any other way.
- In case the battery turns hot, disconnect and remove the battery from the room. If not possible to remove the battery, then evacuate the room.
- Defective or damaged lithium ion batteries or batteries that produce excessive heat or fire are not allowed for transportation.
- For safety reasons, please adhere to the indicated charging, storage, and operation temperature as extreme temperatures (low or high) might ignite the batteries and cause fire.
- The mounting instructions must be followed in order to avoid exposing batteries to water.
- The customer is responsible for determining that charger and host device work properly.
- Recharge batteries every 6 months at a minimum.
- Dispose of batteries in accordance with local regulations.

DO NOT:

- heat, burn or short circuit the batteries
- expose the batteries to high impact
- crush or puncture the batteries
- charge or store the batteries near combustible material
- charge the batteries without supervision
- expose the batteries to water or other liquids

Any of the above mentioned can cause fire or injury.

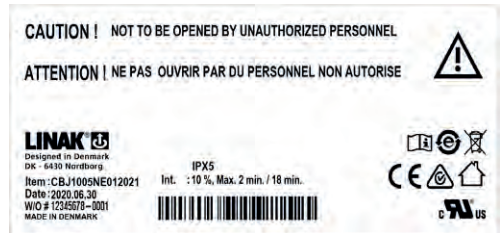
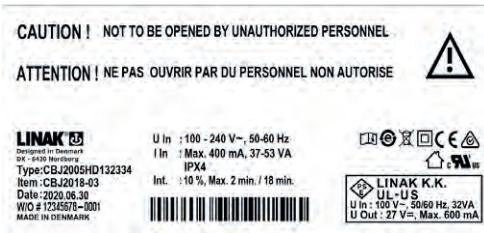
LINAK® will remedy defective Li-Ion batteries built into LINAK products in accordance with the terms stipulated in the LINAK Li-Ion battery disclaimer available on the LINAK website. LINAK explicitly disclaims all other remedies and liability.



Compatibility:

Please be aware that BAJL Li-ion is not compatible with:

- CBJ1, CBJ2 – incl. pool lift versions
- COBQ20



The control boxes CBJ1 and CBJ2 are part of the battery driven JUMBO system. JUMBO is a modular system combining an actuator, a control box (CBJ1, CBJ2), a battery (BAJ1) and a charger (CHJ2) in a flexible solution, specially developed for patient lifts. The complete system is medically approved and contains a series of features which meet the patients need for a safe and comfortable lift, e.g. CBJ1 and CBJ2 are equipped with a soft-start/stop function, emergency lowering function etc.

CBJ1 and CBJ2 are available in a special edition that can be used in the harsh conditions in the pool environment both outdoor and indoor.

Usage:

- CBJ1/CBJ2 with internal charger: Nominal current draw max. 400 mA
 Power consumption (standby) max. 2.5 W
 Power consumption (charging) max. 19 W
 max. 10 % or 2 min. continuous use then 18 min. without use
- Duty cycle: +5 °C to +40 °C
- Ambient temperature: -10 °C to +50 °C
- Storage temperature: 20% to 80% - non-condensing
- Relative humidity: Max. 3000 meters
- Height above sea level: IEC60601-1, ANSI/AAMI ES60601, CAN/CSA-22.2 No 60601-1
- Approvals:
- For one or two actuators (lift and leg spreader actuator)



Recommendations



- The mains cable must always be ordered separately when ordering a CBJ1, CBJ2 with an internal charger.
- Use only original LINAK mains cables to ensure proper connection to internal charger.
- When charging, the CBJ1, CBJ2 will not be able to operate any actuators.
- By use of charger CH01 it is possible to activate the actuators when charging. However, this is not recommended as it can damage the control box or the charger CH01.
- When the CBJ1, CBJ2 with LCD display option is combined with the battery BAJ Li-Ion, the LCD display can indicate empty battery even if the battery capacity is not low. The acoustic alarm will always be activated at low battery capacity independent of display indication.



Warning

- In order to avoid injury, the emergency-stop should be activated in (all) transport and cleaning situations.
- BAJ Li-Ion batteries differ from BAJ1 lead acid as they have built-in discharge protection.
 If the user continues to use the battery despite warning signals, loss of power might happen due to the battery deep discharge protection. In this event, there may be no warning and the application may not be able to move when expected.
- The combination of CBJ1 or CBJ2 with BAJL might not be able to complete a full cycle after low battery warning.

Current cut-off for CBJ1

CBJ1	CH1 				CH1 				Leg spreader CH2	
	Up		Down		Up		Down			
	Min.	Max.	Max.	Min.	Min.	Max.	Max.	Min.	Min.	Max.
CBJ1001N	6.3	8.3	5	3.3	*	*	*	*	-	-
CBJ1001H	9	11.5	7	4.7	6.3	8.8	7	4.7	-	-
CBJ1002N	6.3	8.3	5	3.3	*	*	*	*	2	2.9
CBJ1002H	9	11.5	7	4.7	6.3	8.8	7	4.7	2	2.9
CBJ1004H	5.25	6.3	3.85	2.75	5.2	7.1	5	3.3	4.7	6.2
CBJ1005N	6.3	8.3	5	3.3	*	*	*	*	4.7	6.2
CBJ1005H	9	11.5	7	4.7	6.3	8.8	7	4.7	4.7	6.2

*Current cut-off depends on motor type due to pulse width modulation.



When plugging a mono jack plug into channel 1 the current cut-off will be as the high speed table.

Current cut-off for CBJ2

CBJ2	CH1		Leg spreader CH2	
	Min.	Max.	Min.	Max.
CBJ2001N	7	9	-	-
CBJ2001H	9.8	11.8	-	-
CBJ2002N	7	9	2	2.9
CBJ2002H	9.8	11.8	2	2.9
CBJ2003H	4.9	5.9	-	-
CBJ2004H	4.9	5.9	4.7	6.2
CBJ2005N	7	9	4.7	6.2
CBJ2005H	9.8	11.8	4.7	6.2
CBJ2006H	9.8	11.8	-	-
CBJ2007H	9.8	11.8	2	2.9
CBJ2008H	9.8	11.8	4.7	6.2

The minimum and maximum values stated above refer to the tolerance range, not the adjustment range.

The current cut-off tolerance is +/- 0.2 A depending on the ambient temperature (20 °C)



To avoid injury, all control boxes with variable current cut-off are preset to < 4 A, unless otherwise specified.