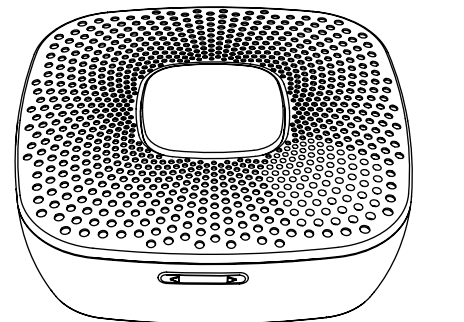




Garage Door Controller GEN5



View the expanded manual:
<http://aeotec.com/support>



1 Aeotec by Aeon Labs Garage Door Controller.

Aeon Labs Garage Door Controller is a smart and wireless Garage Door Control system, you can control the garage door to open, close, or stop moving via wireless signal on your gateway client or phone application. You can also control it by using the external switch when your controller or mobile phone is not on hand.

Its 105dB speaker system will play alarm sounds and at the same time, the indicator of the Garage Door Controller's Alarm LED will turn on in which will let you know that the garage door will start to open or close.

The Garage Door Controller allows you to configure different alarm sounds to indicate the door's action. Each action alarm sound can be customized. To change or update new alarm sounds for the Garage Door Controller, connect the Garage Door Controller to your PC host with a USB cable and download your sound files to the flash memory (16 MB) of the Garage Door Controller.

You can also manually switch the alarm sound. To do this, short press the "Button -" or "Button +" button on the Garage Door Controller which will switch the alarm sound to the next sound. Press and hold the "Button -" or "Button +" to decrease or increase the volume.

The Garage Door Controller is also a security Z-Wave® device and supports the Over The Air (OTA) feature for the product's firmware upgrade.

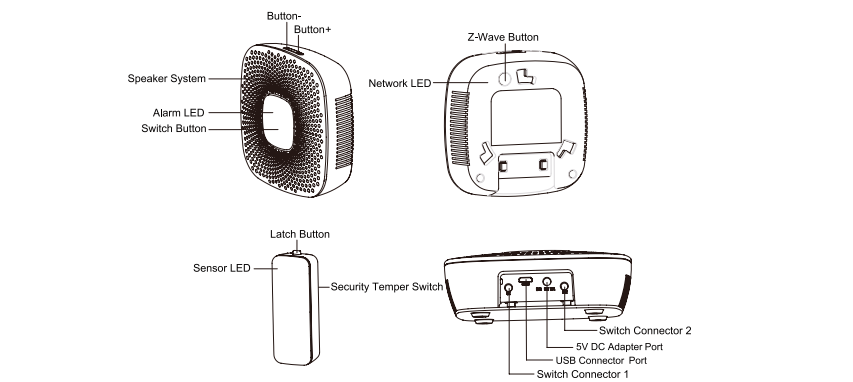
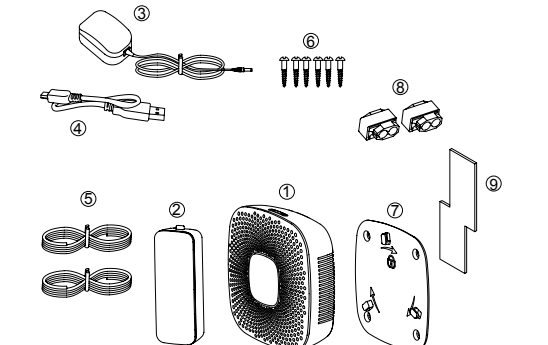
● Safety Notes.

<p>⚠ WARNING ⚠</p> <p>This operator system is equipped with an unattended operation feature. This door could move unexpectedly. NO ONE SHOULD CROSS THE PATH OF A MOVING DOOR!</p>
<p>⚠ WARNING ⚠</p> <p>This system can be installed on sectional type (roll up) doors only per (UL-325). DO NOT INSTALL ON ONE-PIECE DOORS!</p>
<p>⚠ WARNING ⚠</p> <p>The Remote Command Controller must be mounted in the garage, in sight of the garage door, where the visual and audible movement warning indicators can be clearly seen and heard.</p>
<p>⚠ WARNING ⚠</p> <p>Do not install the Remote Command Controller on garage door operators manufactured prior to 1993 (models without an operational safety beam entrapment detection system).</p>

2 Familiarize yourself with your Garage Door Controller.

Package contents:

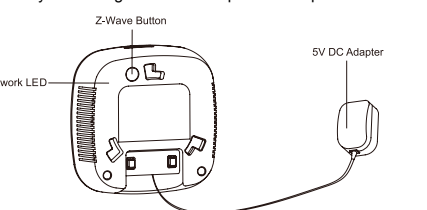
- Garage Door Controller.
- Sensor.
- 5V DC Adapter.
- USB Cable.
- Switch Cable (×2).
- Screw (×6).
- Back Mount Plate.
- Fast Wiring Clip (×2).
- Double-Sided tape.



3 Quick start.

● Power on your Garage Door Controller.

Power your Garage Door Controller by connecting the 5V DC Adapter to the input.

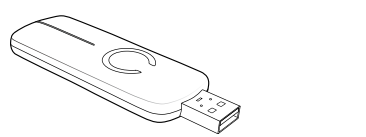


Now that your Garage Door Controller is powered on, you will see the Network LED blinking slowly. While the Network LED is blinking, this indicates that the Garage Door Controller is ready to be included into a Z-Wave network.

[Heading 2]Add/include/link your Garage Door Controller to a Z-Wave network.[/Heading 2]

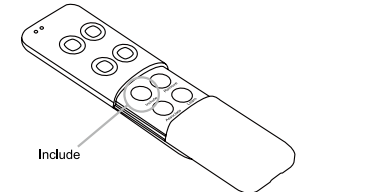
The following instructions will tell you how to link your Garage Door Controller to your Z-Wave network via an Aeotec by Aeon Labs' Z-Stick or Minimote controller. If you are using another Z-Wave controller as your main controller, please refer to their respective manual on how add new devices to your network.

If you're using a Z-Stick:



- Connect 5V DC Adapter to the Garage Door Controller. Its Network LED will begin to blink.
- If your Z-Stick is plugged into a gateway or a computer, unplug it.
- Take your Z-Stick to your Garage Door Controller.
- Press the Action Button on your Z-Stick.
- Press the Z-Wave Button on the Garage Door Controller.
- If Garage Door Controller has been successfully linked to your Z-Wave network, its Network LED will no longer blink. If the linking was unsuccessful and the Network LED continues to blink, repeat the steps above.
- Press the Action Button on the Z-Stick to take it out of inclusion mode.

If you're using a Minimote:



- Connect 5V DC Adapter to the Garage Door Controller. Its Network LED will begin to blink.
- Take your Minimote to your Garage Door Controller.
- Press the Include button on your Minimote.
- Press the Z-wave Button on your Garage Door Controller.
- If Garage Door Controller has been successfully linked to your Z-Wave network, its Network LED will no longer blink. If the linking was unsuccessful and the Network LED continues to blink, repeat the steps above.
- Press any button on your Minimote to take it out of inclusion mode.

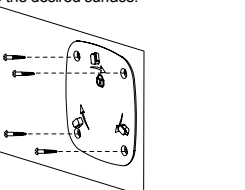
With your Garage Door Controller now working as a part of your smart home, you'll be able to configure it from your home control software or phone application. Please refer to your software's user guide for precise instructions on configuring Garage Door Controller to your needs.

The speaker system is 105dB and you can reduce its volume via long pressing the "Button-" or increase the volume via long pressing the "Button +". When the "Button -" or "Button +" is pressed, the default Garage Door Controller alarm sound will be triggered. To switch to the next alarm sound, short press the "Button -" or "Button +".

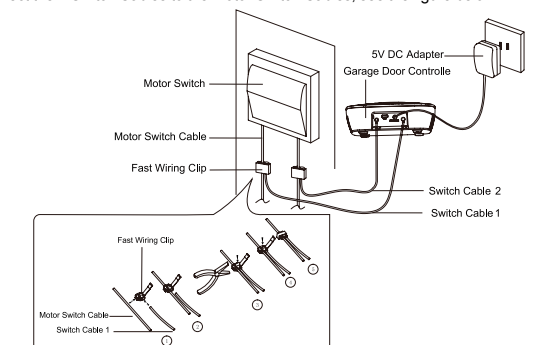
● Physically install your Garage Door Controller.

The Garage Door Controller must be installed in your home and near the garage door. It cannot be installed outdoors in elements such as rain and snow.

- Utilize the provided 20mm screws to affix it to the desired surface.

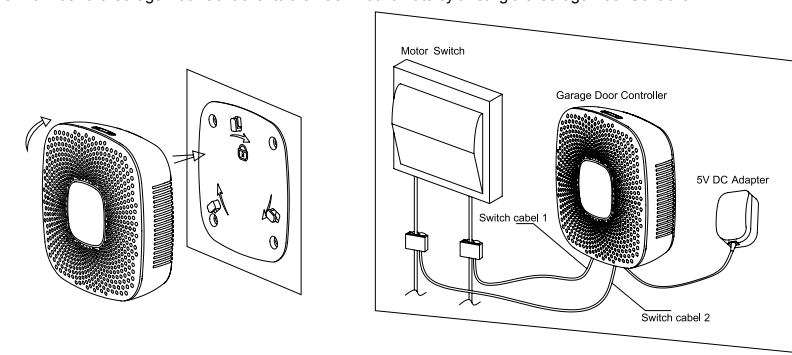


- Connect the 2 Switch cables to the Switch Connector 1 and 2 on the Garage Door Controller, and then use the Fast Wiring Clip to connect the 2 Switch Cables to the Motor Switch Cables, see the figure below:



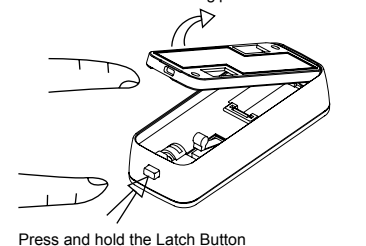
Note: The Fast Wiring Clip need to be used with pliers. When the Switch Cable and the Motor Switch Cable have been connected by Fast Wiring Clip, you will need to use the pliers to clamp the Fast Wiring Clip, see the figure above.

- Now lock the Garage Door Controller to the Back Mount Plate by twisting the Garage Door Controller.

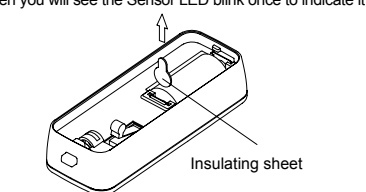


● Installing the Sensor on your garage door.

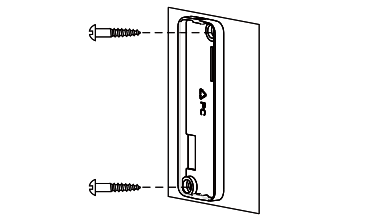
- Press and hold the Latch Button to unlock the sensor mounting plate:



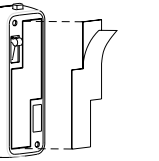
- Pull out the insulating sheet, then you will see the Sensor LED blink once to indicate it has been powered on.



- Affix your sensor mounting plate to the garage door. The sensor mount plate should be installed on the top of the garage door (on the left, middle, or right side). Now affix your sensor mounting plate to the surface. Your mounting plate can be affixed using screws or double-sided tape. If you are using screws, attach the mounting plate to the respective surface using the two 20mm screws provided.



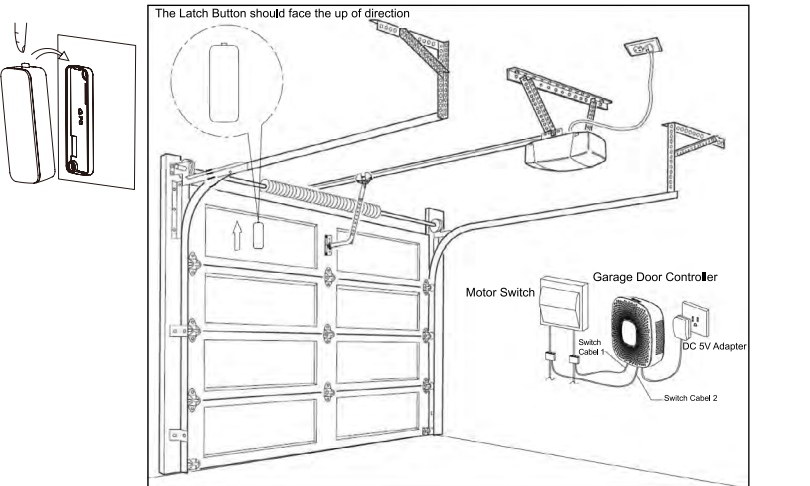
If you are using double-sided tape, wipe the two surfaces clean of any oil or dust with a damp towel. When the surface has completely dried, peel one side of the tape back and attach it to the corresponding section on the rear side of the mounting plate.



You can choose each way from these 2 installations above. Just need to note if the environment temperature of the garage door is less than 0°C, we suggest to choose the first way (using screws to affix the mounting plate) that would be more stable.

4. Lock your Sensor on the mounting plate.

Press and hold the Latch Button, and then push the Sensor into the mounting plate.



After completing all installation steps, you may need to test your Garage Door Controller to see if it has been successfully installed. You can implement this via short pressing the Switch Button on the Garage Door Controller. When you press the Switch Button, you will see the alarm LED blink and ring the alarm sound. After about 5 seconds, the garage door will move to a full open or closed position. If you press the Switch Button again, the garage door will immediately stop moving. If not, please check or repeat the steps above.

Note: If you have confirmed the installation is successful, you need to calibrate the Sensor once. For detailed calibration steps, please refer to the "Configuration Parameter 34" in the engineering spec document of Garage Door Controller.

4 Advanced functions.

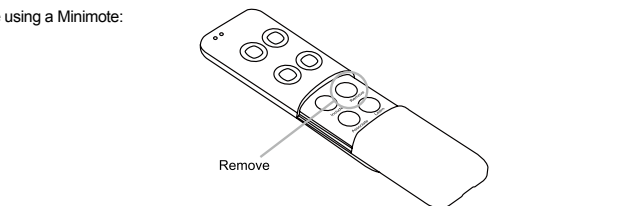
● Removing your Garage Door Controller from a Z-Wave network.

The following instructions will tell you how to remove your Garage Door Controller from your Z-Wave network via an Aeotec by Aeon Labs' Z-Stick or Minimote controller. If you are using another Z-Wave controller as your main controller, please refer to their respective manual on how to remove devices from your network.

If you're using a Z-Stick:

1. If your Z-Stick is plugged into a gateway or a computer, unplug it.
2. Take your Z-Stick to your Garage Door Controller.
3. Press the Action Button on your Z-Stick.
4. Press the Z-Wave Button on your Garage Door Controller.
5. If your Garage Door Controller has been successfully removed from your network, its Network LED will blink. If the removal was unsuccessful, the Network LED will not blink.
6. Press the Action Button on the Z-Stick to take it out of removal mode.

If you're using a Minimote:



1. Take your Minimote to your Garage Door Controller.
2. Press the Remove Button on your Minimote.
3. Press the Z-Wave Button on your Garage Door Controller.
4. If your Garage Door Controller has been successfully removed from your network, its Network LED will blink. If the removal was unsuccessful, the Network LED will not blink.
5. Press any button on your Minimote to take it out of removal mode.

● Reset your Garage Door Controller.

If your primary controller is missing or inoperable, you may wish to reset your Garage Door Controller to its default factory settings. To do this, press and hold the Z-Wave Button for 20 seconds and then release it. Your Garage Door Controller will now be reset to its original settings, and the Network LED will be solid for 2 seconds and then start slow blinking to confirm a success.

● Download new alarm sounds to your Garage Door Controller from your PC host.

1. Use the Micro USB cable to connect Garage Door Controller to your PC host. Your PC host will detect the removable storage after a few seconds, and then you will find it in the section of "Device with Removable Storage."
2. Double click the "CD Drive(G:) NEW" to open the storage.
3. Run the "MusicDownload.exe".
4. Click the "Select Sound" tab on the menu, and then click the "Select Sound" button, which will open a new pop up a window. Now you can select/choose the alarm sounds from your hard disk to update into Garage Door Controller's flash memory.
5. Click "Update" button and wait a few minutes to complete the updating.

Note:

1. Please do not disconnect the USB port until the update has completed.
2. The new ringtones will overwrite all of the old ringtones after the update is complete.

5 Technical specifications.

Model Number: ZW062
 Power Supply: 5V DC Adapter for Garage Door Controller. CR2 Lithium battery 3V, 800mA for Sensor.
 Max Alarm Power: 2W.
 Max Standby Power: 1W.
 Max Volume: 105dB.
 Operating Temperature: -10°C to 45°C.
 Storage Temperature: -20°C to 70°C.
 Supported Audio Formats: MP3 within 320 Kbps or WAV at 1411 Kbps.
 Operating Distance: Up to 980 feet/300 metres outdoors.

● System Operation.

1. USE THE MOBILE APPS TO CONTROL YOUR GARAGE DOOR, VIEW STATUS, AND SET CUSTOM RULES
2. THE GARAGE DOOR CONTROLLER WILL BEEP AND FLASH FOR FIVE SECONDS BEFORE THE DOOR MOVES
3. THE CONTROLLER WILL ACTIVATE THE DOOR OPENER AND OPEN OR CLOSE THE DOOR
4. THE MOBILE APP WILL SHOW THE NEW STATUS OF THE DOOR AFTER THE DOOR COMPLETES ITS CYCLE



● Operation Notes.

1. The Alarm LED will blink and the Speaker System will sound for 5 seconds before the door opener is activated. STAY CLEAR OF THE DOOR, AND DOOR OPENER. THEY ARE ABOUT TO MOVE!
2. If the door does not completely open or close after remote activation, you need to calibrate the Sensor again. For detailed calibration steps, please refer to the "Configuration Parameter 34" in the engineering spec document of Garage Door Controller.

KEEP AWAY FROM SMALL CHILDREN. IF BATTERY IS SWALLOWED, PROMPTLY SEE A DOCTOR. DO NOT TRY TO RECHARGE THIS BATTERY. DISPOSAL OF USED BATTERIES MUST BE MADE IN ACCORDANCE WITH THE WASTE RECOVERY AND RECYCLING REGULATIONS IN YOUR AREA.

Changes or modifications not expressly approved by the manufacturer could void the user's authority to operate the equipment.

6 Warranty.

Aeon Labs warrants to the original purchaser of Products that for the Warranty Period (as defined below), the Products will be free from material defects in materials and workmanship. The foregoing warranty is subject to the proper installation, operation and maintenance of the Products in accordance with installation instructions and the operating manual supplied to Customer. Warranty claims must be made by Customer in writing within thirty (30) days of the manifestation of a problem. Aeon Labs' sole obligation under the foregoing warranty is, at Aeon Labs' option, to repair, replace or correct any such defect that was present at the time of delivery, or to remove the Products and to refund the purchase price to Customer.

The "Warranty Period" begins on the date the Products is delivered and continues for 12 months.

Any repairs under this warranty must be conducted by an authorized Aeon Labs service representative and under Aeon Labs' RMA policy. Any repairs conducted by unauthorized persons shall void this warranty.

Excluded from the warranty are problems due to accidents, acts of God, civil or military authority, civil disturbance, war, strikes, fires, other catastrophes, misuse, misapplication, storage damage, negligence, electrical power problems, or modification to the Products or its components.

Aeon Labs does not authorize any person or party to assume or create for it any other obligation or liability in connection with the Products except as set forth herein.

Aeon Labs will pass on to Customer all manufacturers' Material warranties to the extent that they are transferable, but will not independently warrant any Material.

Customer must prepay shipping and transportation charges for returned Products, and insure the shipment or accept the risk of loss or damage during such shipment and transportation. Aeon Labs will ship the repaired or replacement products to Customer freight prepaid.

Customer shall indemnify, defend, and hold Aeon Labs and Aeon Labs' affiliates, shareholders, directors, officers, employees, contractors, agents and other representatives harmless from all demands, claims, actions, causes of action, proceedings, suits, assessments, losses, damages, liabilities, settlements, judgments, fines, penalties, interest, costs and expenses (including fees and disbursements of counsel) of every kind (i) based upon personal injury or death or injury to property to the extent any of the foregoing is proximately caused either by a defective product (including strict liability in tort) or by the negligent or willful acts or omissions of Customer or its officers, employees, subcontractors or agents, and/or (ii) arising from or relating to any actual or alleged infringement or misappropriation of any patent, trademark, mask work, copyright, trade secret or any actual or alleged violation of any other intellectual property rights arising from or in connection with the products, except to the extent that such infringement exists as a result of Aeon Labs' manufacturing processes.

IN NO EVENT SHALL AEON LABS BE LIABLE FOR ANY INDIRECT, INCIDENTAL, PUNITIVE, SPECIAL OR CONSEQUENTIAL DAMAGES, OR DAMAGES FOR LOSS OF PROFITS, REVENUE, OR USE INCURRED BY CUSTOMER OR ANY THIRD PARTY, WHETHER IN AN ACTION IN CONTRACT, OR TORT, OR OTHERWISE EVEN IF ADVISED OF THE POSSIBILITY OF SUCH DAMAGES. AEON LABS' LIABILITY AND CUSTOMER'S EXCLUSIVE REMEDY FOR ANY CAUSE OF ACTION ARISING IN CONNECTION WITH THIS AGREEMENT OR THE SALE OR USE OF THE PRODUCTS, WHETHER BASED ON NEGLIGENCE, STRICT LIABILITY, BREACH OF WARRANTY, BREACH OF AGREEMENT, OR EQUITABLE PRINCIPLES, IS EXPRESSLY LIMITED TO, AT AEON LABS' OPTION, REPLACEMENT OF, OR REPAYMENT OF THE PURCHASE PRICE FOR THAT PORTION OF PRODUCTS WITH RESPECT TO WHICH DAMAGES ARE CLAIMED. ALL CLAIMS OF ANY KIND ARISING IN CONNECTION WITH THIS AGREEMENT OR THE SALE OR USE OF PRODUCTS SHALL BE DEEMED WAIVED UNLESS MADE IN WRITING WITHIN THIRTY (30) DAYS FROM AEON LABS'S DELIVERY, OR THE DATE FIXED FOR DELIVERY IN THE EVENT OF NONDELIVERY.

THE INDEMNITY AND WARRANTY IN ABOVE ARE EXCLUSIVE AND IN LIEU OF ALL OTHER INDEMNITIES OR WARRANTIES, WHETHER EXPRESS OR IMPLIED, INCLUDING THE IMPLIED WARRANTIES OF MERCHANTABILITY AND FITNESS FOR A PARTICULAR PURPOSE.

● FCC NOTICE (for USA)

THE MANUFACTURER IS NOT RESPONSIBLE FOR ANY RADIO OR TV INTERFERENCE CAUSED BY UNAUTHORIZED MODIFICATIONS TO THIS EQUIPMENT.SUCH MODIFICATIONS COULD VOID THE USER'S AUTHORITY TO OPERATE THE EQUIPMENT.

STORE INDOORS WHEN NOT IN USE. SUITABLE FOR DRY LOCATIONS. DO NOT IMMERSE IN WATER. NOT FOR USE WHERE DIRECTLY EXPOSED TO WATER.

This device complies with Part 15 of the FCC Rules. Operation is subject to the following two conditions:

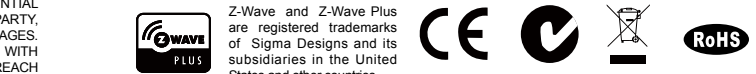
- 1 This device may not cause harmful interference, and
- 2 This device must accept any interference received, including interference that may cause undesired operation. This equipment has been tested and found to comply with the limits for a Class B digital device, pursuant to part 15 of the FCC Rules. These limits are designed to provide reasonable protection against harmful interference in a residential installation. This equipment generates, uses and can radiate radio frequency energy and, if not installed and used in accordance with the instructions, may cause harmful interference to radio communications. However, there is no guarantee that interference will not occur in a particular installation. If this equipment does cause harmful interference to radio or television reception, which can be determined by turning the equipment off and on, the user is encouraged to try to correct the interference by one or more of the following measures:

- Reorient or relocate the receiving antenna.
- Increase the separation between the equipment and receiver.
- Connect the equipment into an outlet on a circuit different from that to which the receiver is connected.
- Consult the dealer or an experienced radio/TV technician for help.

● Warning

Do not dispose of electrical appliances as unsorted municipal waste, use separate collection facilities. Contact your local government for information regarding the collection systems available.

● Certifications (regional):



Version:501005600002-AA

www.aeotec.com

