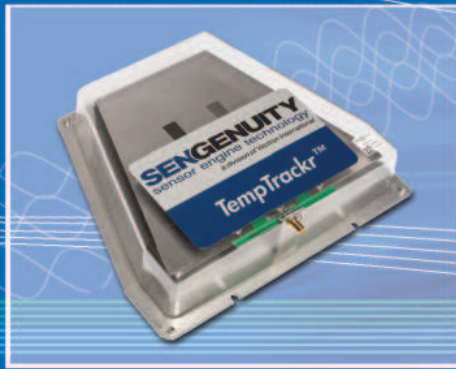


REAL TIME. ON-LINE. WIRELESS.



Key Features

- Working Frequency 433MHz
- Excellent Radiation Pattern
- Designed to operate with WSR-T2 Reader Electronic
- Optimized Reading Distance with TempTracker Sensor Modules

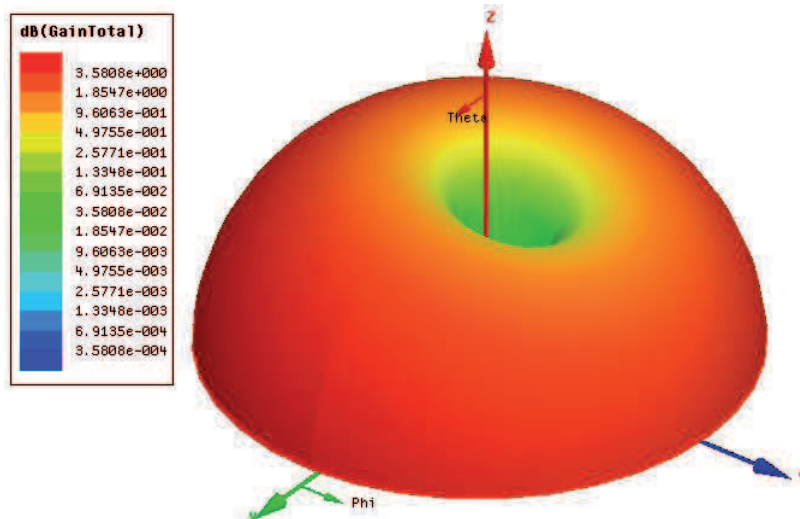
Typical Applications

- Use in Switchgear or Breaker Cabinet

Performance Specifications¹

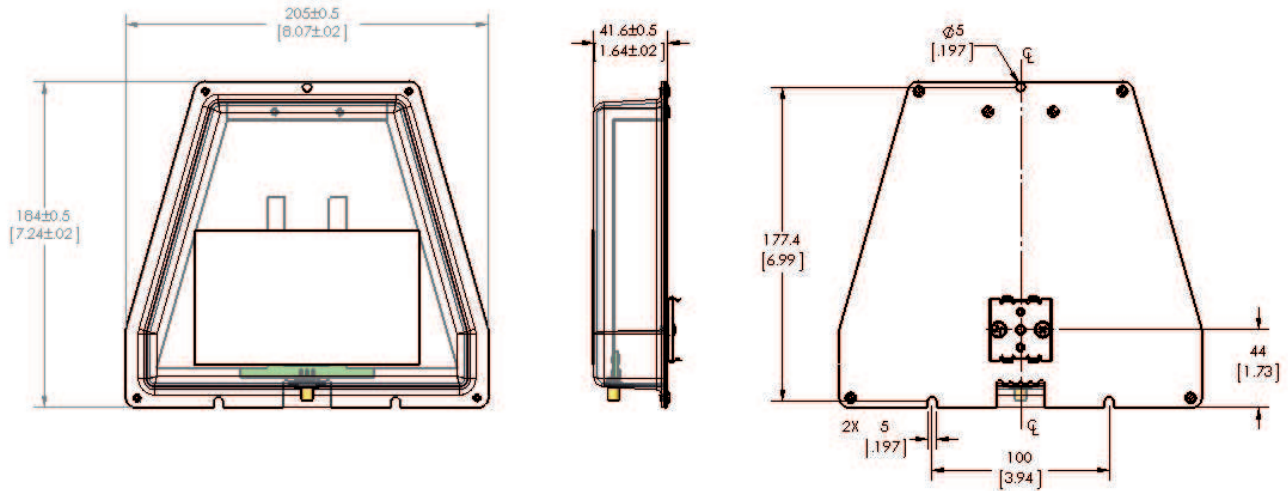
Parameter	Min	Typical	Max	Units	Condition
Center frequencies [f]		433		MHz	
Bandwidth		5		%	
Gain			+3.5	dBi	
VSWR		1.3			at center frequency
Impedance		50		ohm	
Operating temperature range	-40		+85	°C	
Electrical Strength of the cover			30	kV/mm	

Antenna Radiation Pattern Gain Total



Dimensions in mm [inch] for PIF antenna

PLANAR WING ANTENNA ASSEMBLY



Marking on label:
SENGENUITY part number Date Code

Example:
SENGENUITY ANT-PIF-0001 AYYWW

Installation

- 1st option: screw mount, use 3 x 5mm holes
- 2nd option: use clip for TS-35 rail mount
- SMA female connector
- Recommended antenna cable: RG-316 or lower loss

Reliability

- Temperature cycling: 1000 times from -40° to $+85$
- Life-time: Min. 10 years

Ordering Information

Item Number	Description
721200051	ANT-PIF-0001
721200076	ANT-PIF-0001 + Cable-RG316-2m-SMA

Notes

1. Measured at 25°C

Product status and specifications are subject to change.

DISCLAIMER

Vectron International reserves the right to make changes to the product(s) and or information contained herein without notice. No liability is assumed as a result of their use or application. No rights under any patent accompany the sale of any such product(s) or information.

REV. 08-Aug-2014