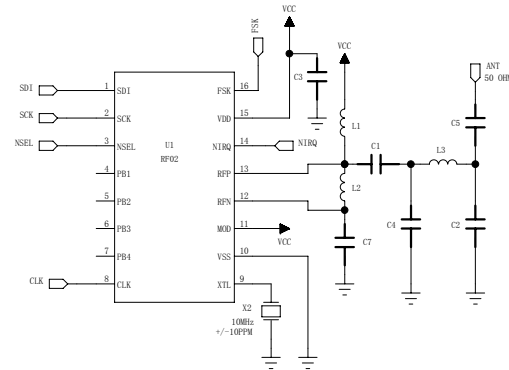


REVISION RECORD			
REV:	Description Summary of Revision	APPROVED:	DATE:
1.0	初始版本	SunBo	Mar 25, 08



	C3	C1	C7	C4	C2	C5	L1	L2	L3
434	10nF	33PF	3.9PF	5.6PF	NC	5.6PF	220nH	27nH	27nH

受控文件 不得转载

		COMPANY: Hope Microelectronics Co., Ltd	
		DRAWN: SunBo APPROVAL: SunBo	DATED: Mar 25, 08 DATED: Mar 25, 08