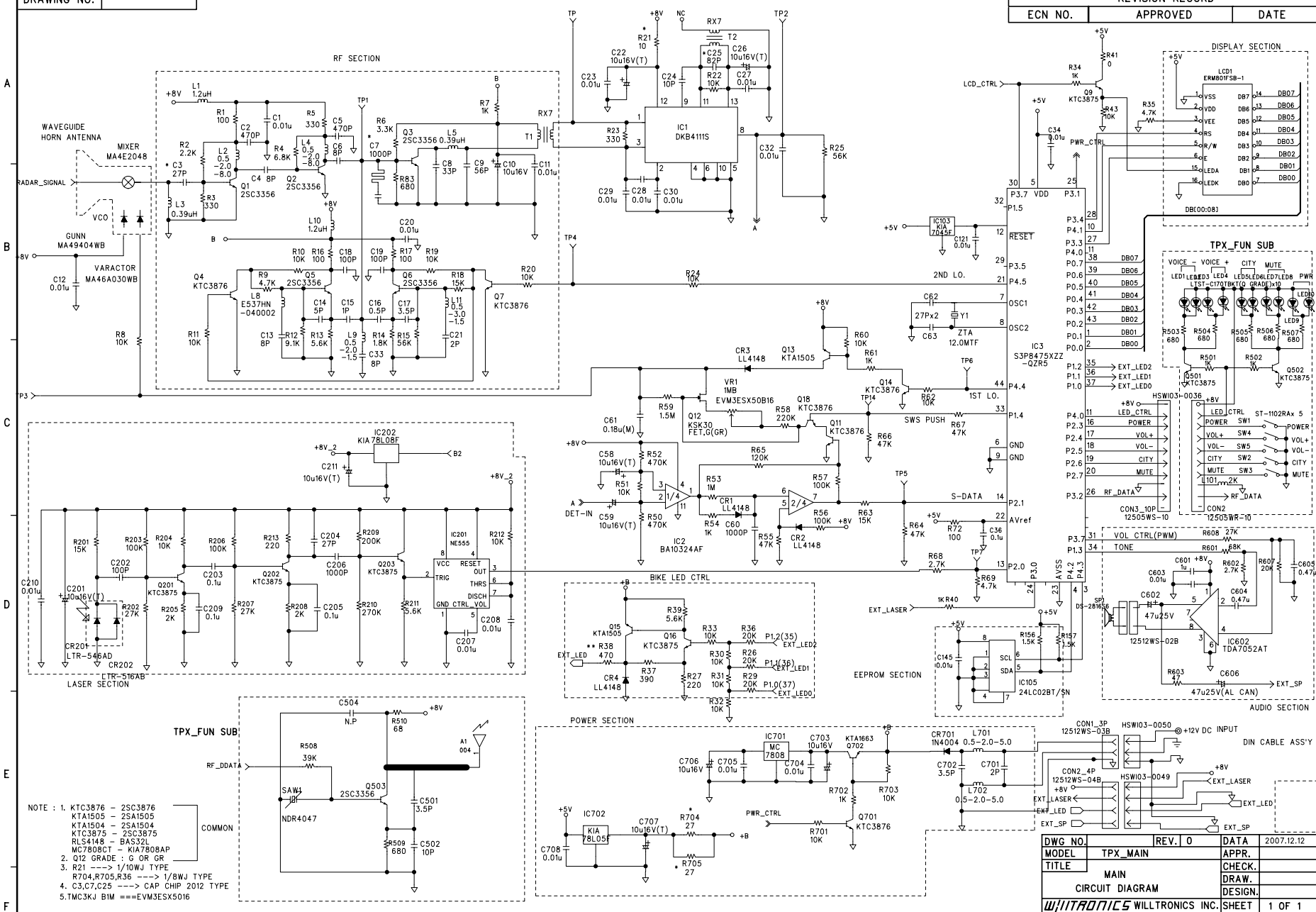


REVISION RECORD		
ECN NO.	APPROVED	DATE



DWG NO.	REV. 0	DATA	2007.12.12
MODEL	TPX_MAIN	APPR.	
TITLE	MAIN	CHECK.	
CIRCUIT DIAGRAM		DRAW.	
WILLTRONICS WILLTRONICS INC.		DESIGN.	
SHEET		1 OF 1	