

19th January 2012

To whomsoever it may concern

Product Block diagram

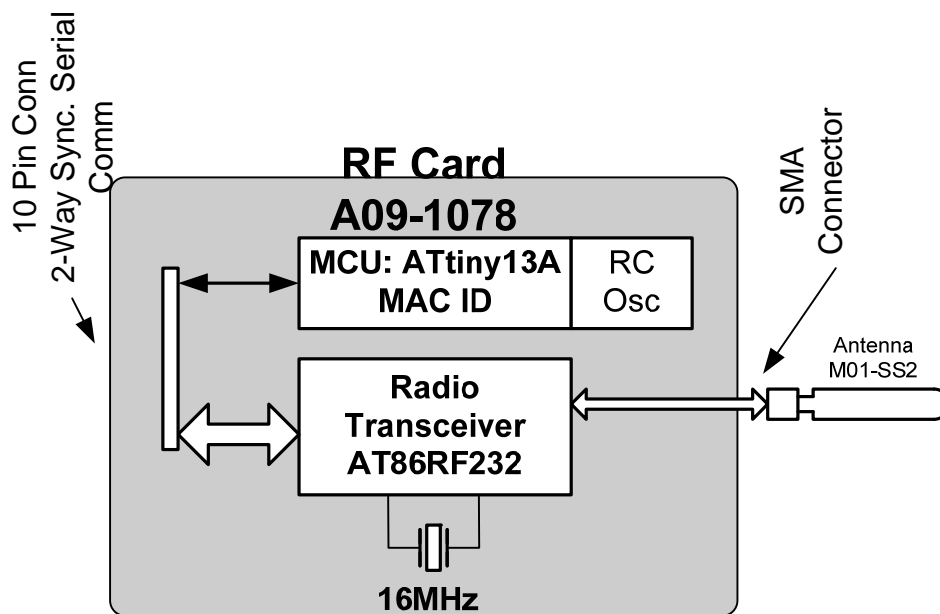
This document features the internal block diagram of the product mentioned below.

Product name: ATAVRRZ600-232

Product Model: ATAVRRZ600-232

FCC ID: VW4A091078

Product Block diagram:



Sincerely,



Saravanakumar Marudhachalam
Staff Engineer,
Atmel Norway AS