

EL2 CD2737B Operation Description

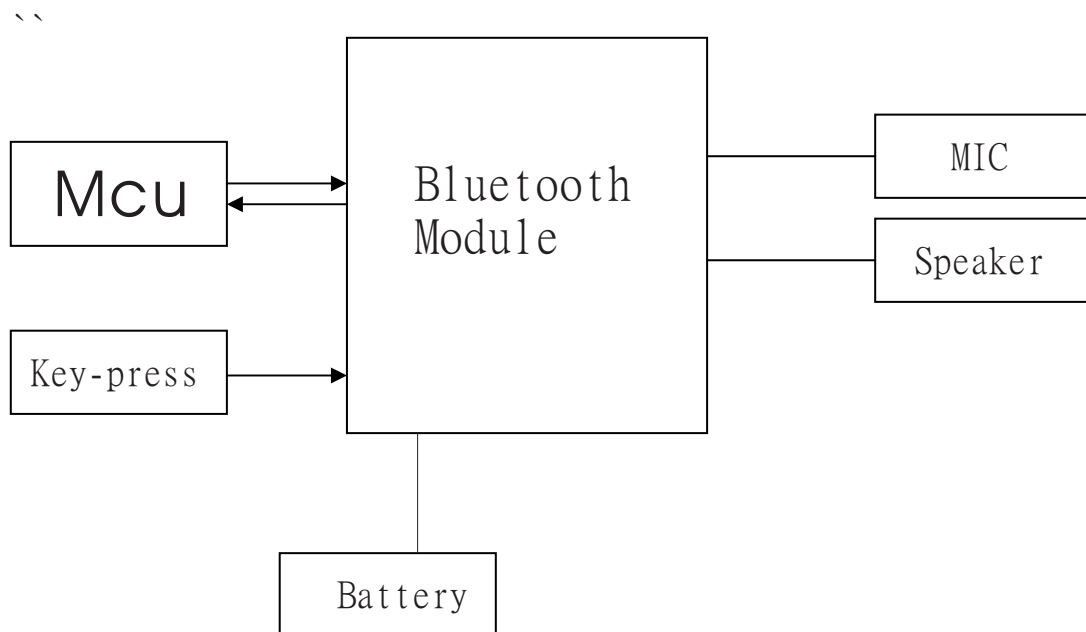
The CD2737B use the Bluetooth Technology to connect with Mobile which have built in Bluetooth .Using the HFP&profile of Bluetooth to have call function.

The following is the function subject:

1. call ID display when there is a incoming call
2. receive call
3. end call
4. volume control
5. Last number redial

The function theory as below:

1. function diagram



2. The Car radio adopt a BLUETOOTH module use short-range wireles communication Technology. The design applied is international identification ISM (Industrial Scientific and Medical)frequency bandwidth environment that is 2.4GHz \sim 2.48GHz bandwidth.
3. The car radio is a wireless stereo player Within a range of 5 meters, This carradio can connect to other Bluetooth devices which have built-in audio gateway,such as Mobile Phone,Desktop,Notebook Computer or PDA etc.