

FTE-AIR USER MANUAL

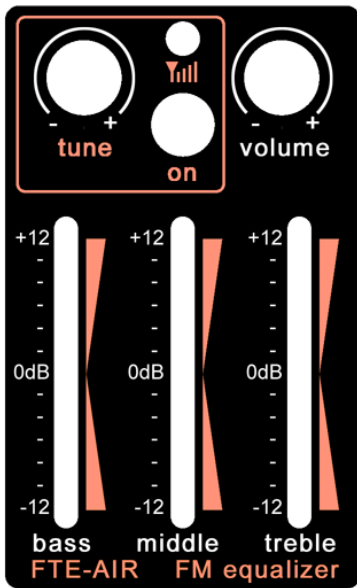
FM-Transmitter Preamp for Acoustic guitar

These days more and more Acoustic guitars tend to have the pickups and equalizers on the guitar body, but most of the guitar customers, who are beginners and amateur players, are unlikely to have an acoustic guitar amplifier so it seems difficult for them to have a chance of using pickups and equalizer because the acoustic guitar amplifiers are less various and more expensive than electric guitar amplifiers.

However general home mini stereo, portable stereo, or car-stereo have the much better characteristics for acoustic guitar than using electric guitar amplifiers.

Artec FTE-AIR is designed to be able to use the common stereos like an acoustic guitar amplifier to use FM band. The selection of frequency goes from 90.3MHz~within 93.3MHz range on your free choices.

Artec FTE-AIR has the adjusted output for the purpose of usage within the close distance like in the small sized room or cars. But it is not recommendable to use for a professional transmitter or in a large space like concert hall.



How to use

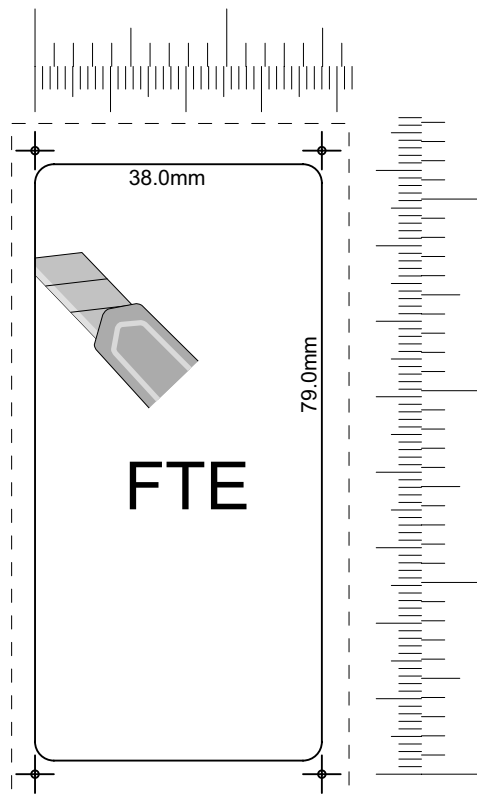
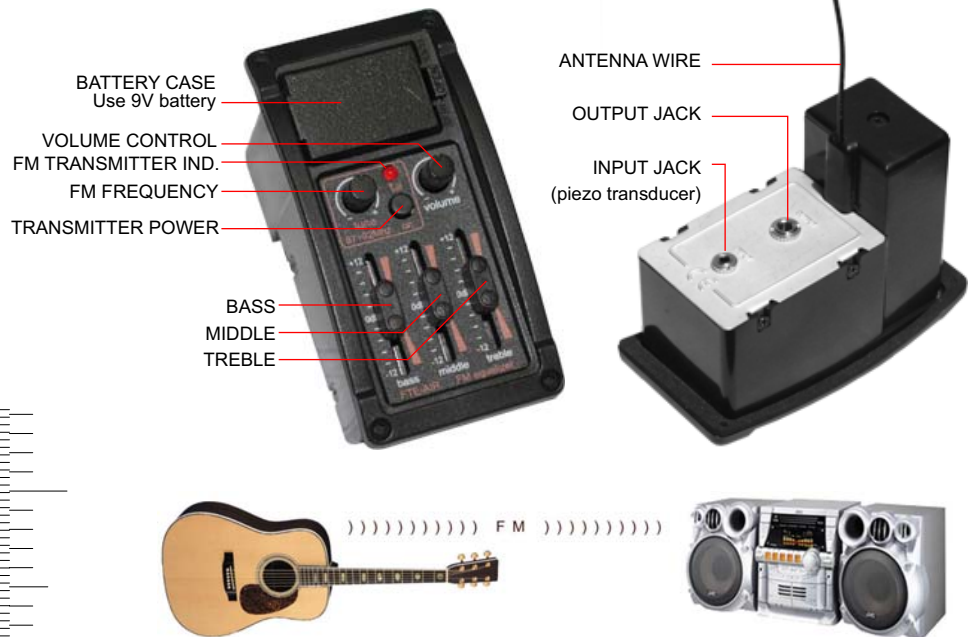
1. Turn on the FM radio, adjust the frequency, which has no station within 90.3Mhz~93.3Mhz range. (Frequency can be move when battery low)

** (The frequency in a station or interference can cause some undesirable noise)

2. Power on the FM transmitter of the FTE-AIR and try to match moving the tune knob slowly.

3. Set the very right frequency with no distortion through the fine-tuning even on the status of tune.

*** Changes or modification not expressly approved by the party responsible for compliance could void the user's authority to operate the equipment. Connecting of peripherals requires the use of grounded shielded signal cables.



DIY CUTTING TEMPLATE

1. Print this file without scaling option.

Print>Page Handling>Page Scaling

- None
- Fit to Print Margins
- Reduce to Print Margins
- Multiple Pages per sheet

2. Check the size with actual ruler.
3. Cut out the dotted line or desire model.
4. Adhere to location use double stick tape.
5. Cut follow solid line use cutter.