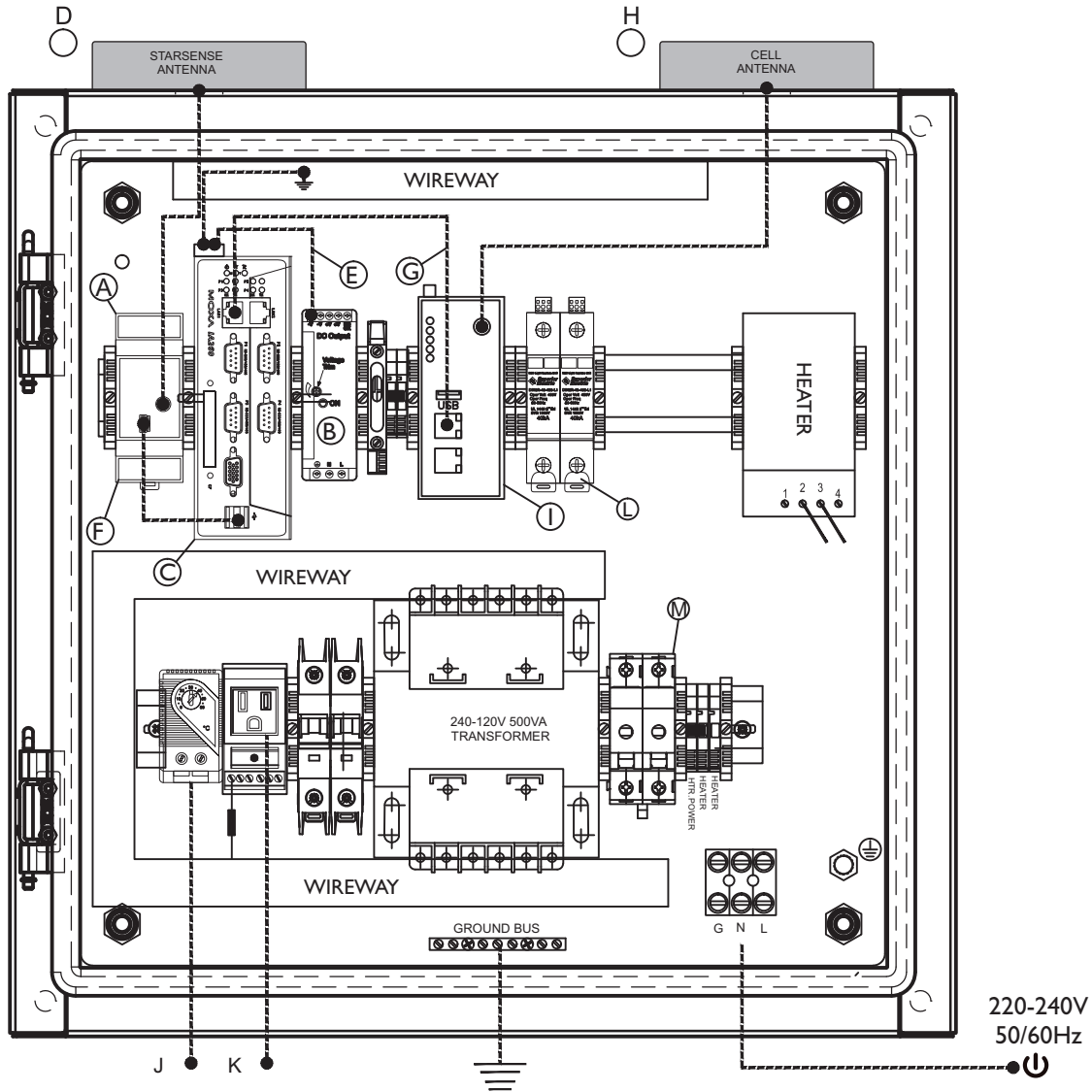


Starsense Segment Controller (SC) LFC7310/00

Installation Instructions



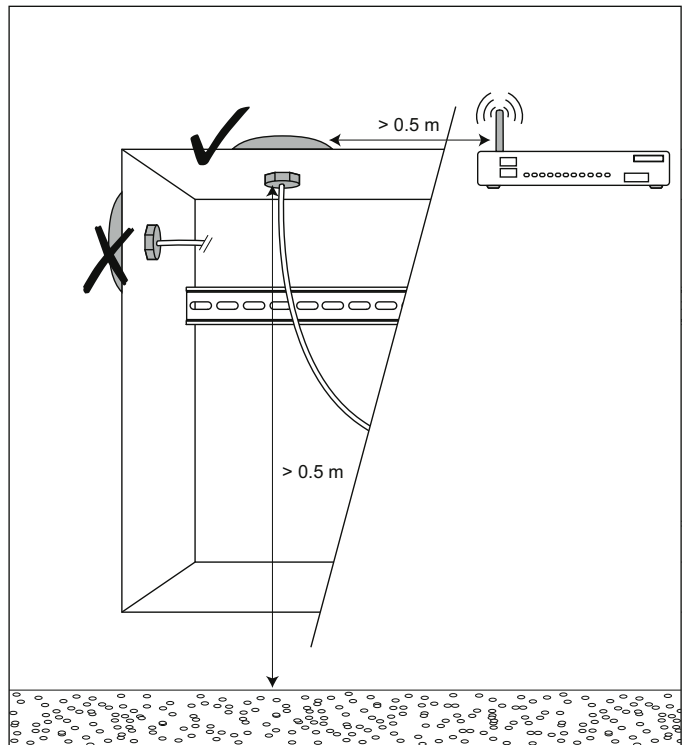
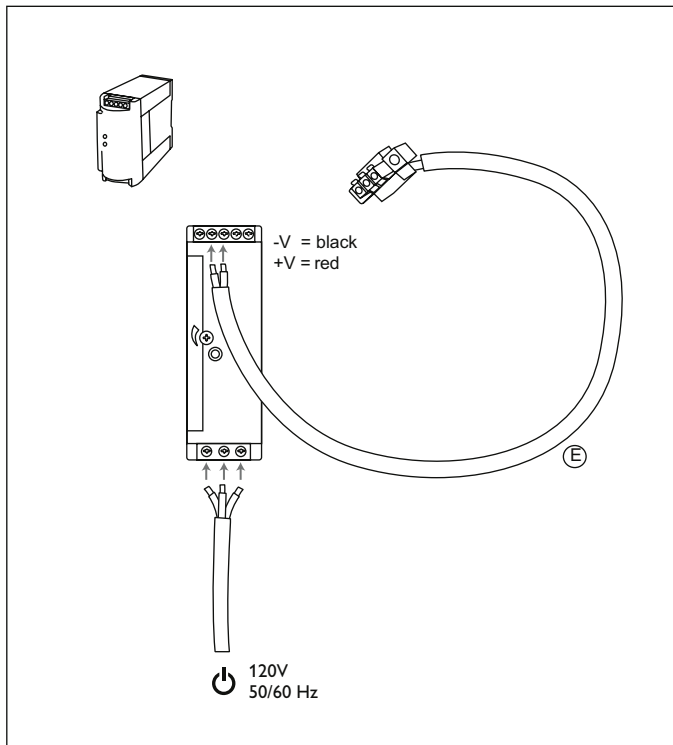
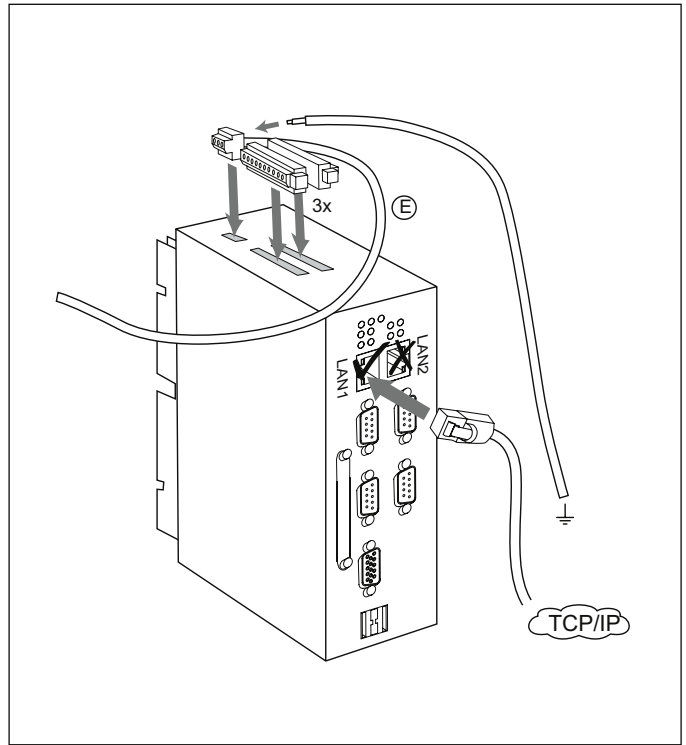
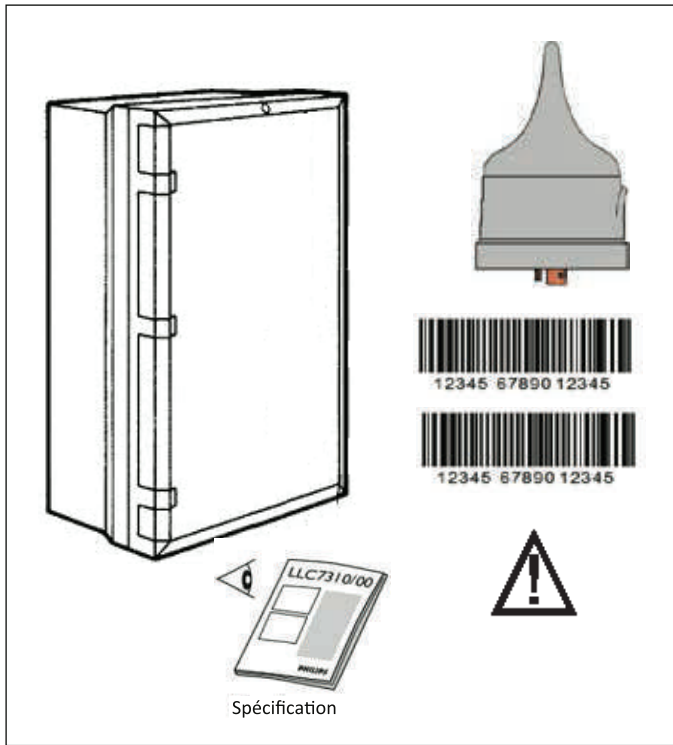
- 1a. Power On  1b. LED On =  1c. LED On =  LED Green = 

- A – Module RF
- B – Power Supply
- C – MOXA CPU
- D – Starsense Antenna
- E – Power Cord
- F – USB Cable
- G – UTP Cable
- H – Cellular Antenna
- I – Modem/Router
- J – Heater Thermostat
- K – 4A Convenience Outlet
- L – Surge Protection
- M – Main Current Limiting Fuse

This device complies with part 15 of the FCC rules for the United States and Industry Canada (IC) license-exempt RSS standard(s). Operation is subject to the following two conditions:
 (1) This device may not cause harmful interference, and (2) this device must accept any interference received, including interference that may cause undesired operation. Any changes or modifications not expressly approved by Philips could void the user's authority to operate this equipment. This product is intended for commercial use only.



Installation Instructions



© 2014 Philips Lighting Electronics
All rights reserved.

Form No. PA-7470-A 03/14

Philips Lighting Electronics
10275 West Higgins Road
Rosemont, IL 60018
Tel: 800-322-2086 Fax: 888-423-1882
Customer Support/Technical Service: 800-372-3331

www.philips.com/starsense-na