

Operation Description

W54U Wireless USB Adapter complies with IEEE 802.11g and IEEE 802.11b standards, providing up to 54Mbps wireless transmission rate which is 5 times the common 802.11b products.

The following is the function subject:

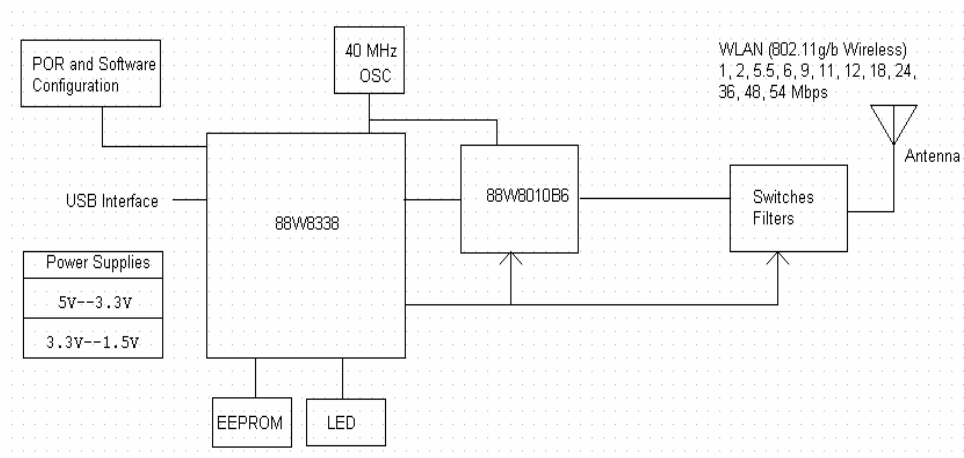
Supports IEEE 802.11g and IEEE 802.11b standards

Provides two work modes: Ad Hoc Mode and Infrastructure Mode

Provides up to 54Mbps transmission rate and up to 300 meters transmission distance

The function theory as below:

1 function diagram



2 The 54Mbps wireless USB Adapter uses a short-range wireless communication Technology. The design applied is in international identification ISM (Industrial Scientific and Medical)frequency bandwidth environment that is 2.4 ~ 2.4835GHz bandwidth.

3 The 54Mbps wireless USB Adapter is deployed the OFDM, CCK modulation theory. The W54U usage is based on the utility interface installation. It can auto detect wireless network signals and alter transmission speed. The speed can reach 54Mbps within no-block 300m distance.