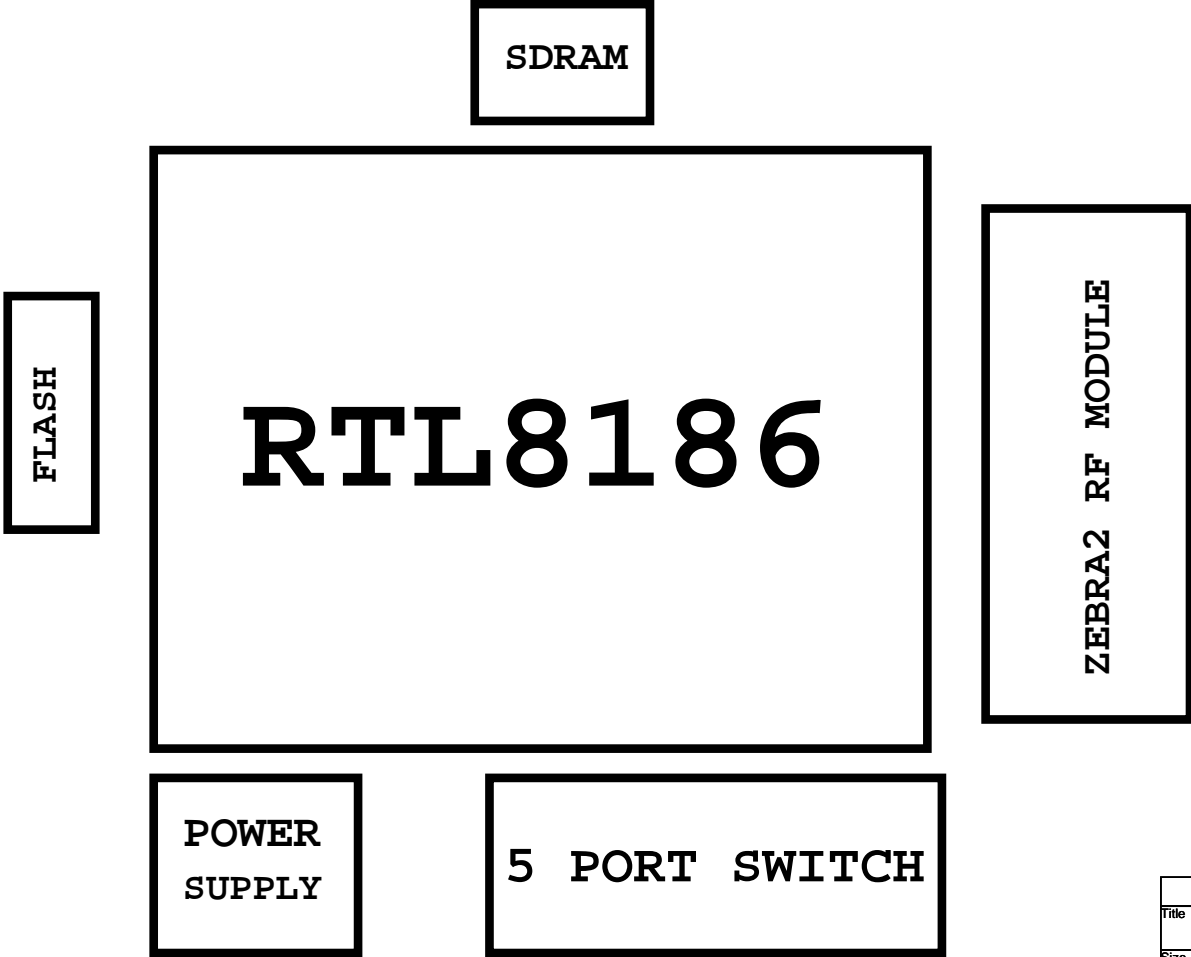


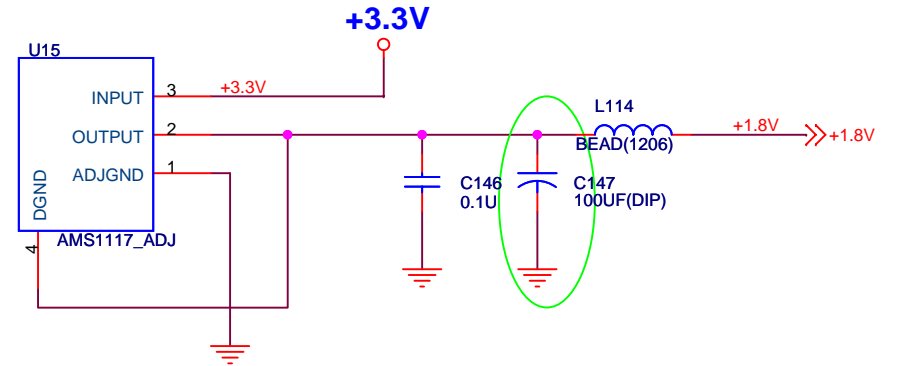
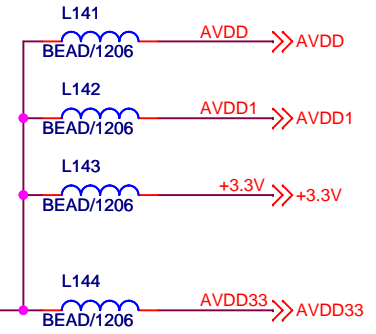
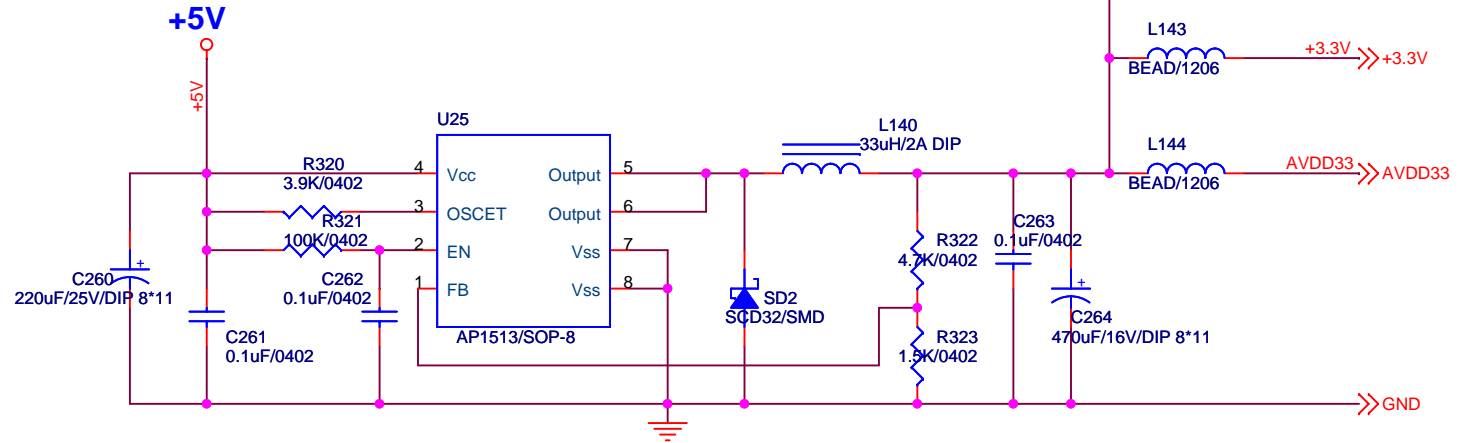
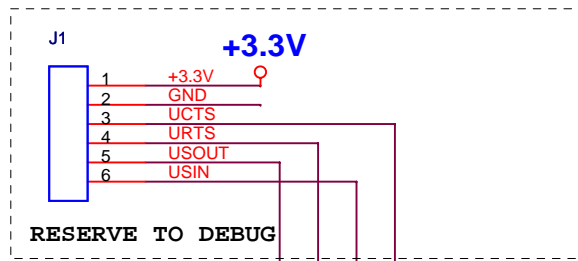
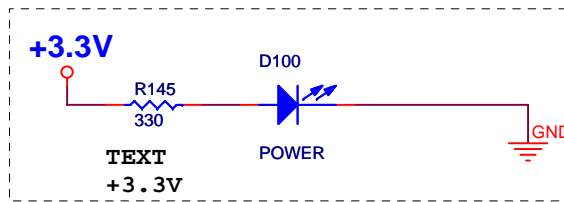
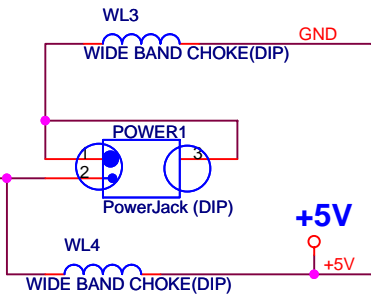
2412-2462MHz



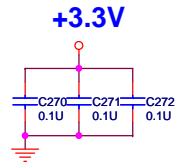
<i>REALTEK SEMICONDUCTOR CORP.</i>		
Title	SYSTEM DIAGRAM	
Size	Document Number	Rev
B	RTL8186_208 DEMOBOARD	
Date:	JULY 12, 2006	Sheet 1 of 7

**+5V DC
2.4A**

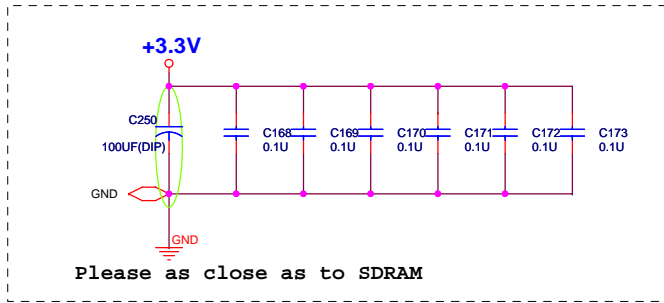
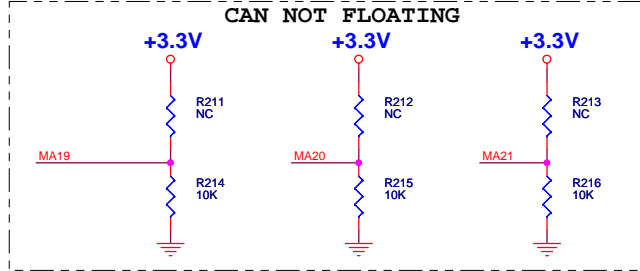
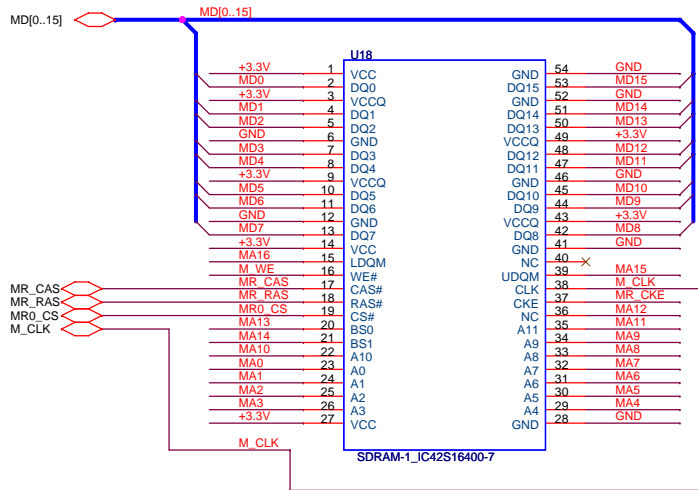
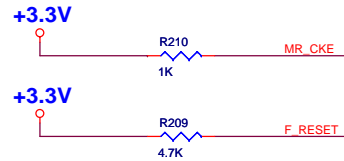
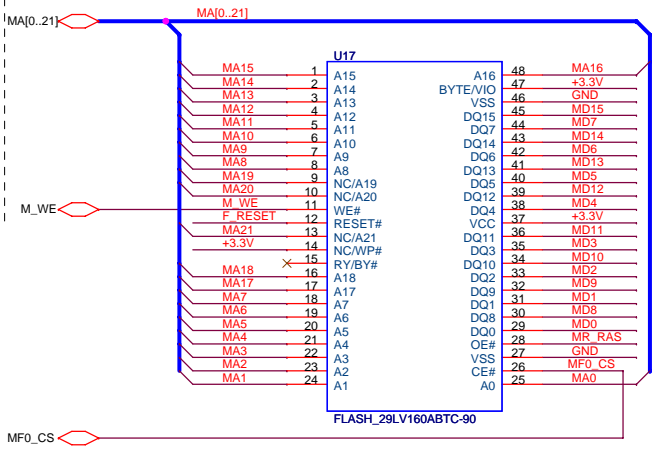
VIN

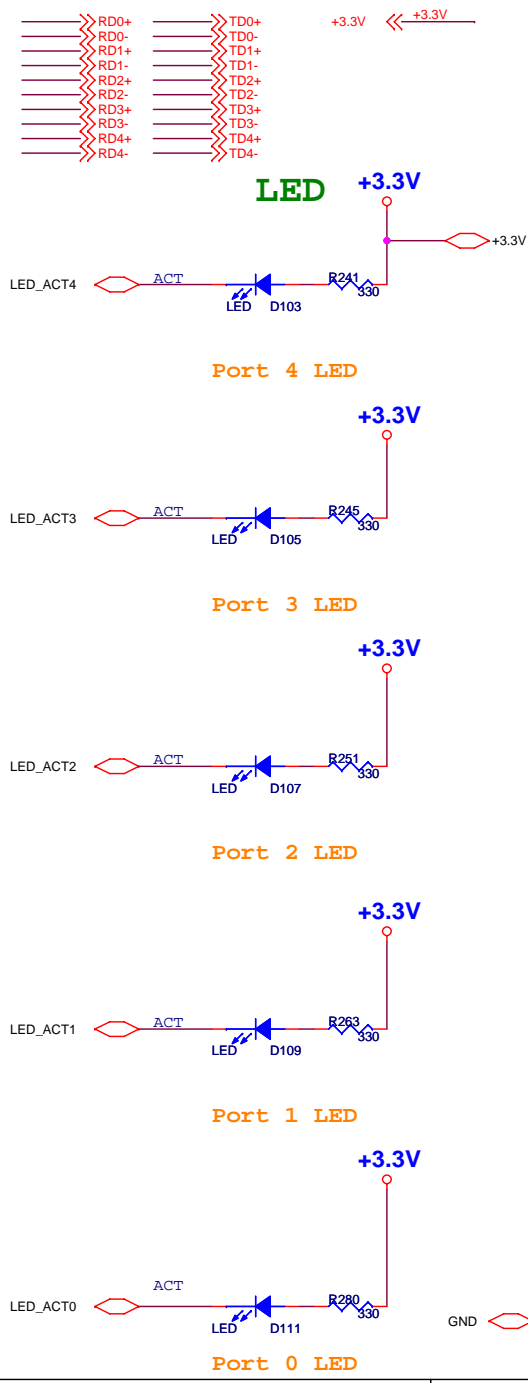


REALTEK SEMICONDUCTOR CORP.		
Title		
POWER & RS232		
Size	Document Number	Rev
A4	RTL8186 208 DEMOBOARD	
Date:	JULY 12, 2006	Sheet 2 of 7

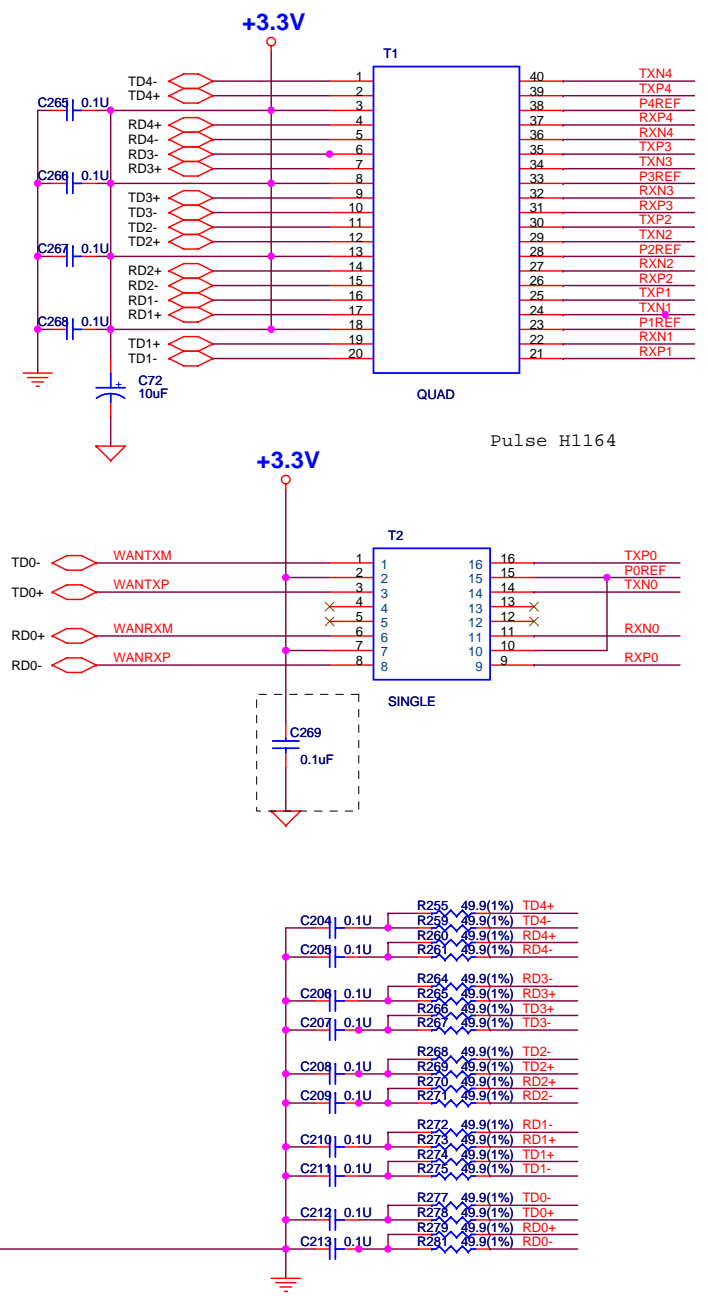


Please as close as to FLASH

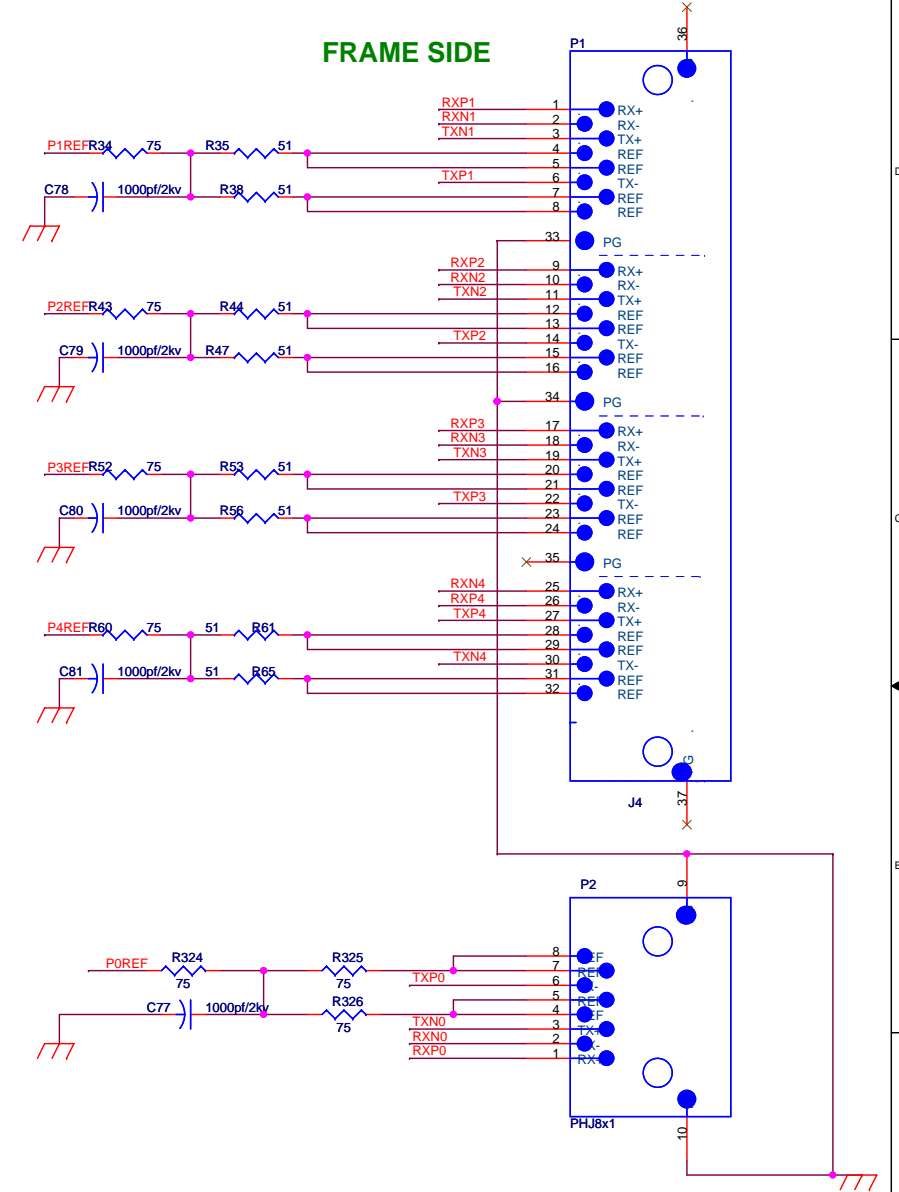




ANALOG POWER



FRAME SIDE



REALTEK SEMICONDUCTOR CORP.

Title: **Phone Jack & Transformer**

Size: B

Document Number: **RTL8186_208 DEMOBOARD**

Date: JULY 12, 2006

Rev: 2.0

Sheet: 6 of 7

