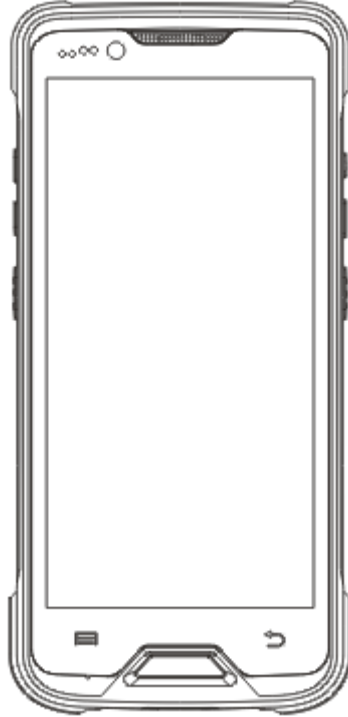


X5 Wireless Data Terminal



Note: Product images shown may be different than actual product received

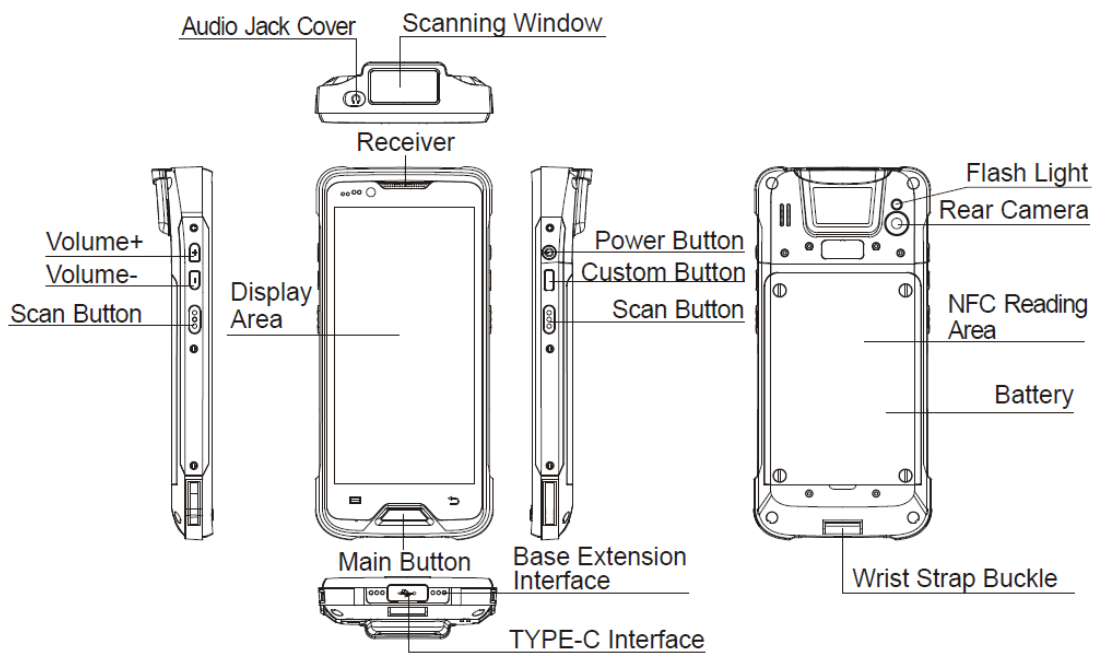
PAX TECHNOLOGY LIMITED

1.Contents Checklist

Please check the components after unpacking. If any are missing, please contact the dealer.

Part	Qty.
X5 mobile smart terminal	1
Charger	1
USB Cable	1
Wrist Strap	1
Battery	1
Product manual	1
Unscrew Piece	1
Base (optional)	1

2.Product Description



3.Installation

1. Unlock and lock the rear cover

- 1) To unlock the rear cover: Unscrew the four screws on the cover with screwdriver, then take the cover off the terminal. As figure shown below.

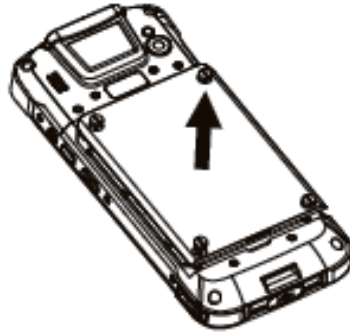


Figure 3-1-1

- 2) To lock the rear cover: Put back the rear cover and make the 4 screws aligned with the 4 holes, then tighten the screws to lock the cover. As the figure shown below.

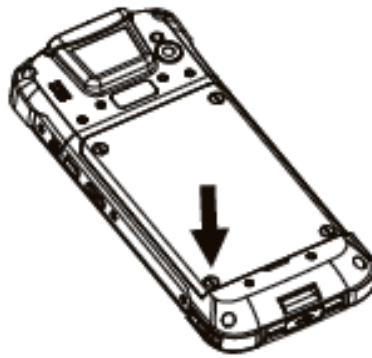


Figure 3-1-2

2. Install and remove the battery

- 1) To install battery: Put battery into the battery storehouse in the right direction as shown below.

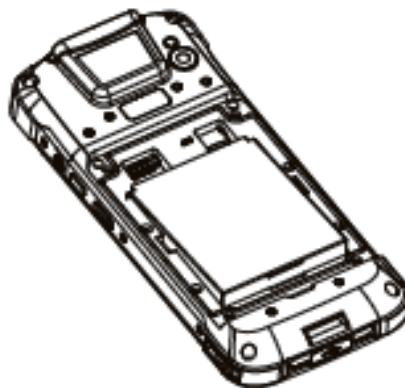


Figure 3-2-1

- 2) To remove battery: Place your finger in the position shown below and push forward slightly to remove the battery.

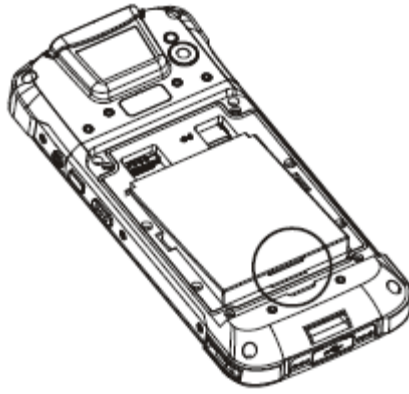


Figure 3-2-2

3. Install SIM card/PSAM card /TF card

- 1) Install SIM card/PSAM card /TF card in direction shown below.

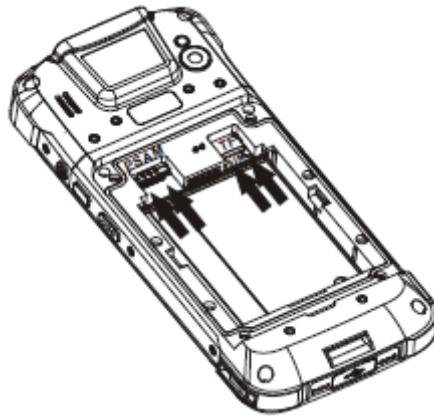


Figure 3-3-1

- 2) Remove SIM card/PSAM card /TF card in direction shown below.

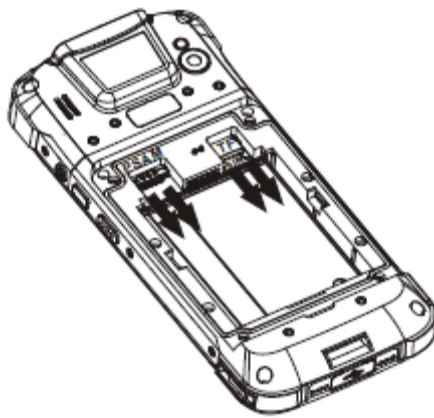


Figure 3-3-2

4. Device Charging

The device can be charged in two ways: Using USB cable or charging base

- 1) By USB cable : Connect terminal to USB cable via Type-C port to charge. See port location as figure below.
- 2) By charging base: Place the terminal vertically into the base, the pogo pins will be connected themselves to charge. As figure shown below.

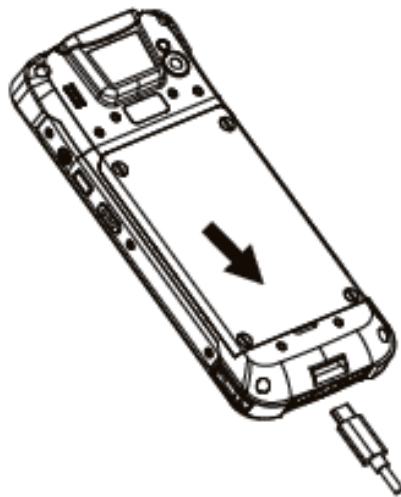


Figure 4-1-1

5. Wrist strap installation diagram

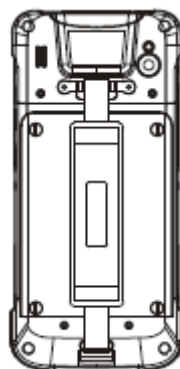


Figure 5-1-1

4. Instructions

1. Use of two-dimensional scanner (one-dimensional optional)

The scanner is on the top of the device. When using, enter the “Menu”, select “DEMO” > two-dimensional (or one-dimensional) scan, align the reading window with the barcode, slightly press the left , right scan button on the device or click "start" on the interface, the reading window will emits the two-dimensional illumination region or one-dimensional light beam, cover the barcode with the lighting beam emitted by the scanner, then the barcode will be read correctly.

Note that the barcode cannot be read if it is scanned with tilted angles or without being covered the whole area.

After reading success, the device will make a short sound, the barcode and the read times will be rapidly displayed in the scanning area.

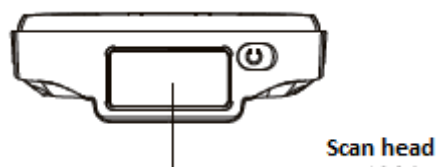


Figure 4-1-1



Right,Wrong,Operation demonstration for scanning bar code(2D)

Figure 4-1-2



Figure 4-1-3

2. Use of contactless card

The reading area of the contactless card is the underside of the terminal, with the reading

distance is 0-4cm. You can use it by following these steps:

- 1) When running the contactless card reading and writing program, the contactless card function, which is closed by default, will be opened.
- 2) Enter the “Menu” >”DEMO”> select the type (ISO 14443A/B or ISO 15693) according to the label protocol. When placing the card over the battery cover of the device, the selected contactless card can be read correctly.
- 3) After reading success, the device will make a short sound and the information related to the card will be displayed quickly in the reading window area.

3. PSAM Card

After the Mobile Smart Terminal is installed with PSAM card, you can use the demo for the of PSAM card.

- 1) Enter the menu>DEMO> select "PSAM".
- 2) Open the PSAM application, if the status bar shows that initiation is successful, the PSAM card is recognized correctly. Then select corresponding card slot, voltage and baud rate and other related settings.
- 3) Input an APDU instruction in the input box or use the default random command, then click "Send".
- 4) After sending, the message returned by the command is displayed in the result bar, and the status bar will prompt a successful send.

5.Installation and Usage Tips

- 1) Do not damage the USB cable and power adapter. Otherwise, they can't be used again.
- 2) Do not use battery chargers or batteries that are not special for the device to avoid damage to the device.
- 3) Do not scratch the screen. Do not use pens, pencils or other sharp objects on the screen.
- 4) If the surface of screen is dirty, please use soft cloth to clean with diluent screen cleanser.
- 5) Discard the used polymer battery according to regulations. Do not throw the terminal into the fire. Otherwise there is a risk of explosion.
- 6) Before connecting the power supply to the AC socket, check whether the power supply of the socket is in accordance with the device specified operating voltage.
- 7) Please contact the special maintenance personnel when the device fails. The user is not allowed to repair the device without authorization.
- 8) When using the device, do not irradiate human eyes to avoid injury.

6.Lithium Ion Battery Usage Tips

WARNING:

- 1) Don't use the battery in sunlight or smoke, dust environment.
- 2) Prohibited to strike, squeeze and tread on battery or throw it into the liquid and fire.
- 3) If battery is impressive, deformed, damaged or exothermic seriously, please stop using immediately and replace it!
- 4) If the continuous working time is only half of new one, the battery life may be end. Please replace it!
- 5) Must use the specified battery model and charger, otherwise there will be explosion
- 6) Charging time can not exceed 24 hours. If the battery is out of power, please recharge in time. Avoid damaging the battery in over-charge and over-discharge.
- 7) If be non-use for long time, please recharge the battery per 6 months to avoid shortening its life.
- 8) Suggest to replace it when the battery have been used for 2 years.
- 9) Be sure to follow the instructions to dispose the wasted batteries.

FCC Regulations:

This device complies with part 15 of the FCC Rules. Operation is subject to the following two conditions: (1) This device may not cause harmful interference, and (2) this device must accept any interference received, including interference that may cause undesired operation.

This device has been tested and found to comply with the limits for a Class B digital device, pursuant to Part 15 of the FCC Rules. These limits are designed to provide reasonable protection against harmful interference in a residential installation. This equipment generates, uses and can radiated radio frequency energy and, if not installed and used in accordance with the instructions, may cause harmful interference to radio communications. However, there is no guarantee that interference will not occur in a particular installation. If this equipment does cause harmful interference to radio or television reception, which can be determined by turning the equipment off and on, the user is encouraged to try to correct the interference by one or more of the following measures:

- Reorient or relocate the receiving antenna.
- Increase the separation between the equipment and receiver.
- Connect the equipment into an outlet on a circuit different from that to which the receiver is connected.
- Consult the dealer or an experienced radio/TV technician for help.

Caution: Changes or modifications not expressly approved by the party responsible for compliance could void the user's authority to operate the equipment.

FCC RF Exposure Information (SAR)

This device is designed and manufactured not to exceed the emission limits for exposure to radio frequency (RF) energy set by the Federal Communications Commission of the United States.

The exposure standard for wireless employs a unit of measurement known as the Specific Absorption Rate, or SAR. The SAR limit set by the FCC is 1.6W/kg.

The FCC has granted an Equipment Authorization for this model device with all reported SAR levels evaluated as in compliance with the FCC RF exposure guidelines. SAR information on this model device is on file with the FCC and can be found under the Display Grant section of www.fcc.gov/oet/ea/fccid after searching on FCC ID:V5PX5.

While there may be differences between the SAR levels of various devices and at various positions, they all meet the government requirement.

SAR compliance for body operation is based on a separation distance of 10 mm between the unit and the human body. Carry this device, at least 10 mm away from your body to ensure RF exposure level compliant or lower to the reported level. To support body operation, choose the belt clips or holsters, which do not contain metallic components, to maintain a separation of 10 mm between this and your body.

IC Notice

This device complies with Industry Canada license-exempt RSS standard(s). Operation is subject to the following two conditions:

- (1) this device may not cause interference, and
- (2) this device must accept any interference, including interference that may cause undesired operation of the device.

Le présent appareil est conforme aux CNR d'Industrie Canada applicables aux appareils radio exempts de licence. L'exploitation est autorisée aux deux conditions suivantes:

- (1) l'appareil ne doit pas produire de brouillage, et
- (2) l'utilisateur de l'appareil doit accepter tout brouillage radioélectrique subi, même si le brouillage est susceptible d'en

This Class B digital apparatus complies with Canadian ICES-003.

Cet appareil numérique de la classe B est conforme à la norme NMB-003 du Canada.
IC:11689A-X5

IC Radiation Exposure Statement

This EUT is compliance with SAR for general population/uncontrolled exposure limits in IC RSS-102 and had been tested in accordance with the measurement methods and procedures specified in IEEE 1528 and IEC 62209. This equipment should be installed and operated with minimum distance 10 mm between the radiator and your body. This device and its antenna(s) must not be co-located or operating in conjunction with any other antenna or transmitter.

Cet appareil est conforme aux limites d'exposition DAS incontrôlée pour la population générale de la norme CNR-102 d'Industrie Canada et a été testé en conformité avec les méthodes de mesure et procédures spécifiées dans IEEE 1528 et IEC 62209. Cet appareil doit être installé et utilisé avec une distance minimale de 10 mm entre l'émetteur et votre corps. Cet appareil et ses antennes ne doivent pas être co-localisés ou fonctionner en conjonction avec tout autre antenne ou transmetteur.

5G 5150-5250MHz indoor use restriction warning

RSS-247 Annex 9: A 9.4

The device could automatically discontinue transmission in case of absence of information to transmit, or operational failure. Note that this is not intended to prohibit transmission of control or signaling information or the use of repetitive codes where required by the technology.

- the device for operation in the band 5150–5250 MHz is only for indoor use to reduce the potential for harmful interference to co-channel mobile satellite systems;

In addition, high-power radars are allocated as primary users (i.e. priority users) of the bands 5250–5350 MHz and 5650–5850 MHz and that these radars could cause interference and/or damage to LE-LAN devices.

L'appareil peut interrompre automatiquement la transmission en cas d'absence d'information à transmettre ou d'échec opérationnel. Il est à noter que cela ne vise pas à interdire la transmission de données de contrôle ou de signalisation ou l'utilisation de codes répétitifs lorsque la technologie l'exige.

-le dispositif de fonctionnement dans la bande 5150 – 5250 MHz n'est utilisé qu'à l'intérieur pour réduire les risques d'interférences nuisibles pour les systèmes mobiles par satellite à co-canal;

En outre, les radars de haute puissance sont attribués en tant qu'utilisateurs principaux (c.-à-d. utilisateurs prioritaires) des bandes 5250 – 5350 MHz et 5650 – 5850 MHz et que ces radars pourraient causer des interférences et/ou endommager les dispositifs LAN-le.

PAX TECHNOLOGY LIMITED reserves the right to change product technology specifications without notifying.



PAX TECHNOLOGY LIMITED

Manufacturer: PAX Computer Technology (Shenzhen) Co.,Ltd.

**Address:4/F, No.3 Building, Software Park, Second Central Science-Tech Road,
High-Tech Industrial Park, Shenzhen, Guangdong, P.R.C.**

Tel: 0755-86169630 Fax: 0755-86169634

Website: <http://www.pax.com.cn>

Responsible Party: PAX Technology, Inc.

**8880 Freedom Crossing Trail, Building 400, 3rd Floor Suite 300, Jacksonville , Florida,
32256**

Tony Fernandez

tony.fernandez@pax.us

+1 623-640-9529