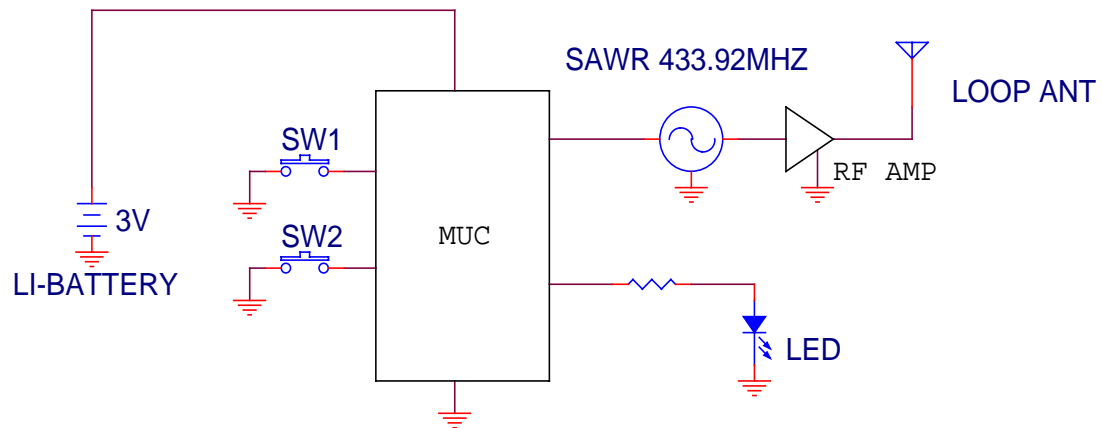


TX 方塊圖



NOTE:

1. CENTROL FREQUENCY: 433.92 MHZ
2. FREQUENCY RANGE: 433.72MHZ~434.12MHZ

Principle of TX :

1. 3V Li-battery : It is a power used for system.
2. MCU : This is a micro-controller. SW pressed, MCU will produce a group of specific codes. And send to SAWR. Turn LED on indicating transmit state.
3. SAWR / Rf Amp. / Loop ANT. : The SAWR (Surface Acoustic Wave Resonator) will produce a regular radio signal. Amplify the signal by RF Amp. Then transmitting signal via Loop ANT..