

REVISIONS			
REV	CHANGES	BY	DATE
1	INITIAL DESIGN	KJL	12/19/2003
2	ECO 04-206	LAH	3/3/2004
3	ECO 05-280	JES	4/26/2005

J4 CONNECTIONS
 PIN 1 = 5VDC
 PIN 2 = POWER LED
 PIN 3 = TAG COMM LED
 PIN 4 = NETWORK COMM LED
 PIN 5 = ANTENNA SWITCH LED

J10 CONNECTIONS
 PIN 1 = VPP
 PIN 2 = VDD(+5V)
 PIN 3 = GND
 PIN 4 = RB7/PGD
 PIN 5 = RB6/PGC
 PIN 6 = RB3/PGM

J5 CONNECTIONS
 PIN 1 = TX DATA OUT (NETWORK COMM)
 PIN 2 = RX DATA IN (NETWORK COMM)
 PIN 3 = GND

J3 CONNECTIONS
 PIN 1 = TX DATA OUT (SET-UP COMM)
 PIN 2 = RX DATA IN (SET-UP COMM)
 PIN 3 = GND

THIS IS NOT A CONTROLLED COPY UNLESS STAMPED "CONTROLLED COPY" IN RED.

THIS DOCUMENT IS PROVIDED FOR A SPECIFIC PURPOSE AND THE DISCLOSED INFORMATION REMAINS OUR PROPERTY. IT MAY NOT BE REPRODUCED OR COPIED OR TRANSMITTED IN ANY FORM OR BY ANY MEANS, ELECTRONIC OR MECHANICAL, INCLUDING PHOTOCOPYING, RECORDING, OR BY ANY INFORMATION STORAGE AND RETRIEVAL SYSTEM, WITHOUT ACCU-SORT'S PRIOR APPROVAL. THIS NOTICE MUST APPEAR ON ANY COPY OR REPRODUCTION OF THIS DOCUMENT.

©1998, ACCU-SORT SYSTEMS, INC.

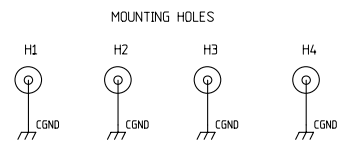
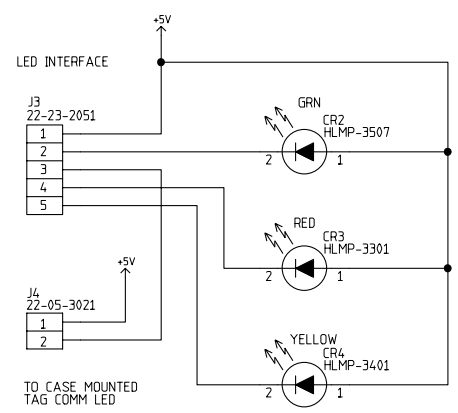
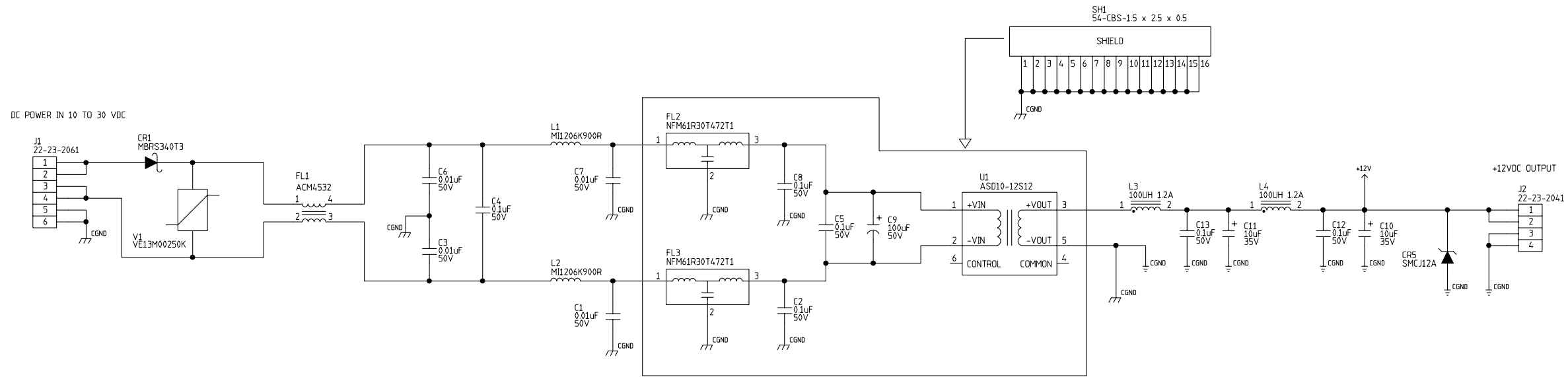
DRAWN	KJL	DATE	12/19/2003
CHK'D		DATE	
ENGR.	RH	DATE	
DEPT.	E.E.		

ACCU-SORT® SYSTEMS, inc.
 TELFORD, PA 18969 USA

RFR02 RFID READER BOARD SCHEMATIC

SIZE	D	CAGE CODE	53830	DWG NO.	104008104
SCALE	N/A	CAD SYS.	VERBEST	SHEET	01 OF 01

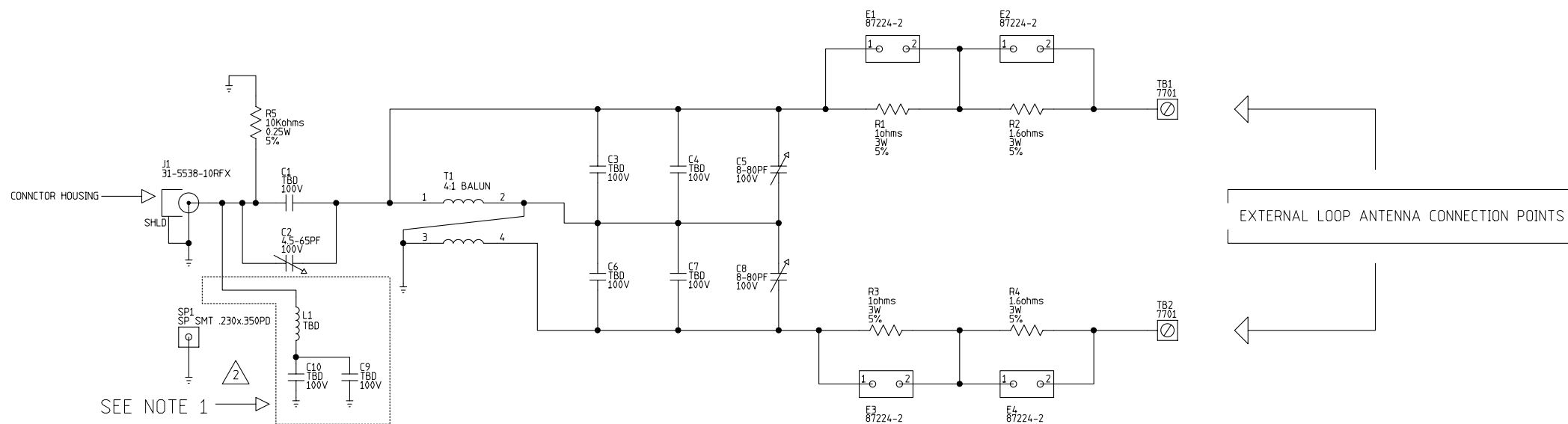
REVISIONS			
REV	CHANGES	BY	DATE
1	RELEASE ECO 03-3	LAH	1-16-2003



<small>THIS IS NOT A CONTROLLED COPY UNLESS STAMPED "CONTROLLED COPY" IN RED.</small> <small>THIS DOCUMENT IS PROVIDED FOR A SPECIFIC PURPOSE AND THE DISCLOSED INFORMATION REMAINS OUR PROPERTY. IT MAY NOT BE DISCLOSED, COPIED OR REPRODUCED, EXCEPT FOR THE SPECIFIC PURPOSE WITHOUT ACCU-SORT'S PRIOR APPROVAL. THIS NOTICE MUST APPEAR ON ANY COPY OR REPRODUCTION OF THIS DOCUMENT.</small> <small>©1998, ACCU-SORT SYSTEMS, INC.</small>	<small>DRAWN</small> RRH <small>DATE</small> 7/22/2002 <small>CHK'D</small> <small>DATE</small> <small>ENGR.</small> RRH <small>DATE</small> <small>DEPT.</small> E.E.	 <small>ACCU-SORT® SYSTEMS, Inc.</small> <small>TELFORD, PA 18969 USA</small> <small>RFR02 DC TO DC POWER SUPPLY BOARD SCHEMATIC</small>
	<small>SIZE</small> D <small>CAGE CODE</small> 53830 <small>DWG NO.</small> 104309102 <small>SCALE:</small> N/A <small>CAD SYS.</small> VERIBEST <small>SHEET</small> 01 OF 01	

REVISIONS			
REV	CHANGES	BY	DATE
1	INITIAL DESIGN	JES	12/19/2003
2	ECO 05-434	JES	5/25/2005

NOTES:
 1. NO REFERENCE DESIGNATORS EXIST ON PCB 0105277203 FOR THESE COMPONENTS. COMPONENTS ARE SOLDERED ACROSS R5 ON PCB.



SEE NOTE 1

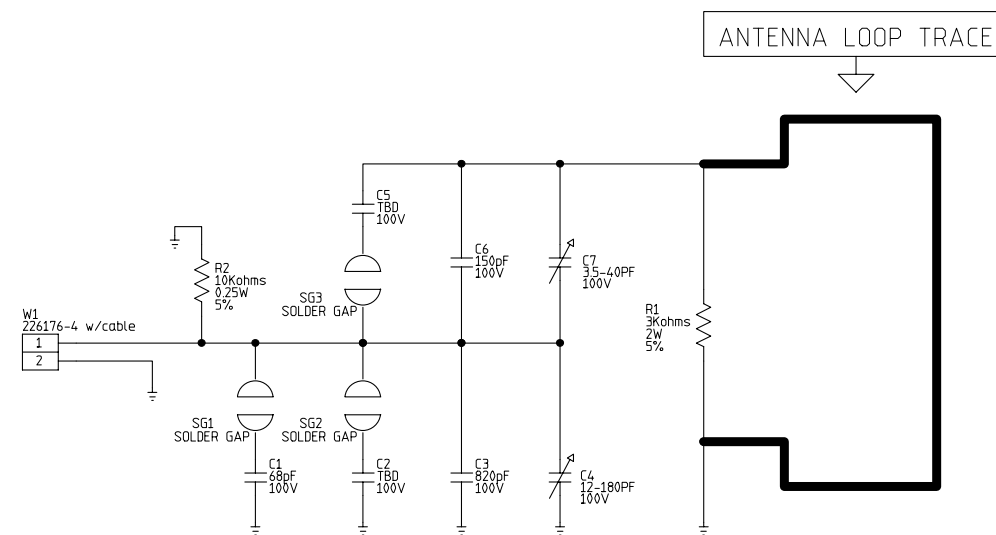
— COMPONENT VALUE CHANGES —


ASSEMBLY	COMPONENT	VALUE	PART NUMBER
105277501 12" x 16" ANTENNA	C1	33 PF	1000053209
	C4	150 PF	1000053208
	C7	150 PF	1000053208

ASSEMBLY	COMPONENT	VALUE	PART NUMBER
105277502 5" x 16" ANTENNA	C1	47 PF	1000055289
	C4	270 PF	1000052995
	C7	270 PF	1000052995
	C9	10 PF	1000060706
	C10	27 PF	1000060711
	L1	1uH	1000060714

THIS IS NOT A CONTROLLED COPY UNLESS STAMPED "CONTROLLED COPY" IN RED.	DRAWN	KJL	DATE	6/10/2003	ACCU-SORT® SYSTEMS, inc. TELFORD, PA 18969 USA	
	CHK'D		DATE			
THIS DOCUMENT IS PROVIDED FOR A SPECIFIC PURPOSE AND THE DISCLOSED INFORMATION REMAINS OUR PROPERTY. IT MAY NOT BE DISCLOSED, COPIED OR REPRODUCED EXCEPT FOR THE SPECIFIC PURPOSE WITHOUT ACCU-SORT'S PRIOR APPROVAL. THIS NOTICE MUST APPEAR ON ANY COPY OR REPRODUCTION OF THIS DOCUMENT.	ENGR	RRH	DATE		RFID 13.56 MHZ ANTENNA MATCHING BOARD SCHEMATIC	
	DEPT	RFID				
	SIZE	D	CAGE CODE	53830	DWG NO.	105277103
	SCALE	N/A	CAD SYS.	VERIBEST	SHEET	01 OF 01

REVISIONS			
REV	CHANGES	BY	DATE
1	INITIAL DESIGN	JES	12/19/2003



<small>THIS IS NOT A CONTROLLED COPY UNLESS STAMPED "CONTROLLED COPY" IN RED.</small> <small>THIS DOCUMENT IS PROVIDED FOR A SPECIFIC PURPOSE AND THE DISCLOSED INFORMATION REMAINS OUR PROPERTY. IT MAY NOT BE DISCLOSED, COPIED OR REPRODUCED, EXCEPT FOR THE SPECIFIC PURPOSE WITHOUT ACCU-SORT'S PRIOR APPROVAL. THIS NOTICE MUST APPEAR ON ANY COPY OR REPRODUCTION OF THIS DOCUMENT.</small> <small>©1998 ACCU-SORT SYSTEMS, INC.</small>	DRAWN KJL	DATE 1/30/2003	 ACCU-SORT® SYSTEMS, inc. TELFORD, PA 18969 USA
	CHK'D	DATE	
	ENGR RH	DATE	
	DEPT E.E.		
	SIZE D	CAGE CODE 53830	DWG NO. 104779102
	SCALE N/A	CAD SYS. VERIBEST	SHEET 01 OF 01

RFRO2 5" x 7" ANTENNA BOARD SCHEMATIC