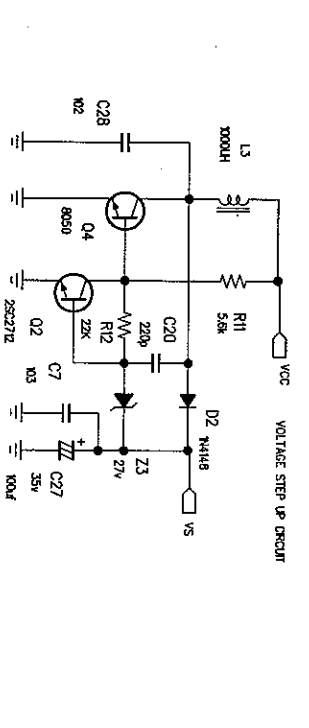
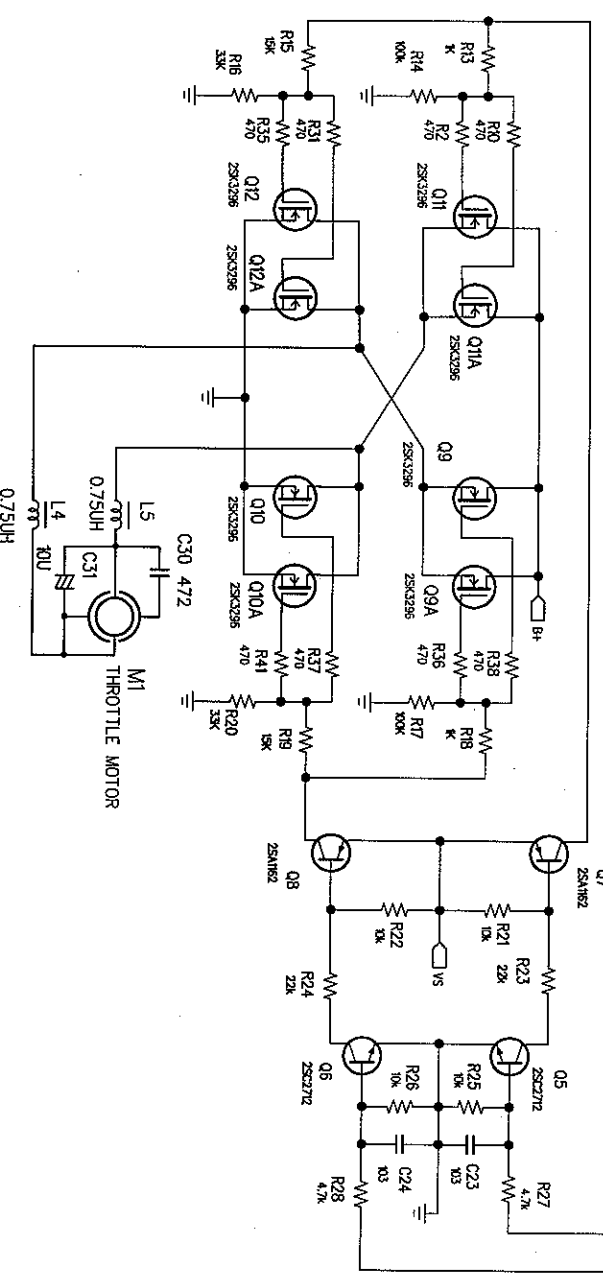
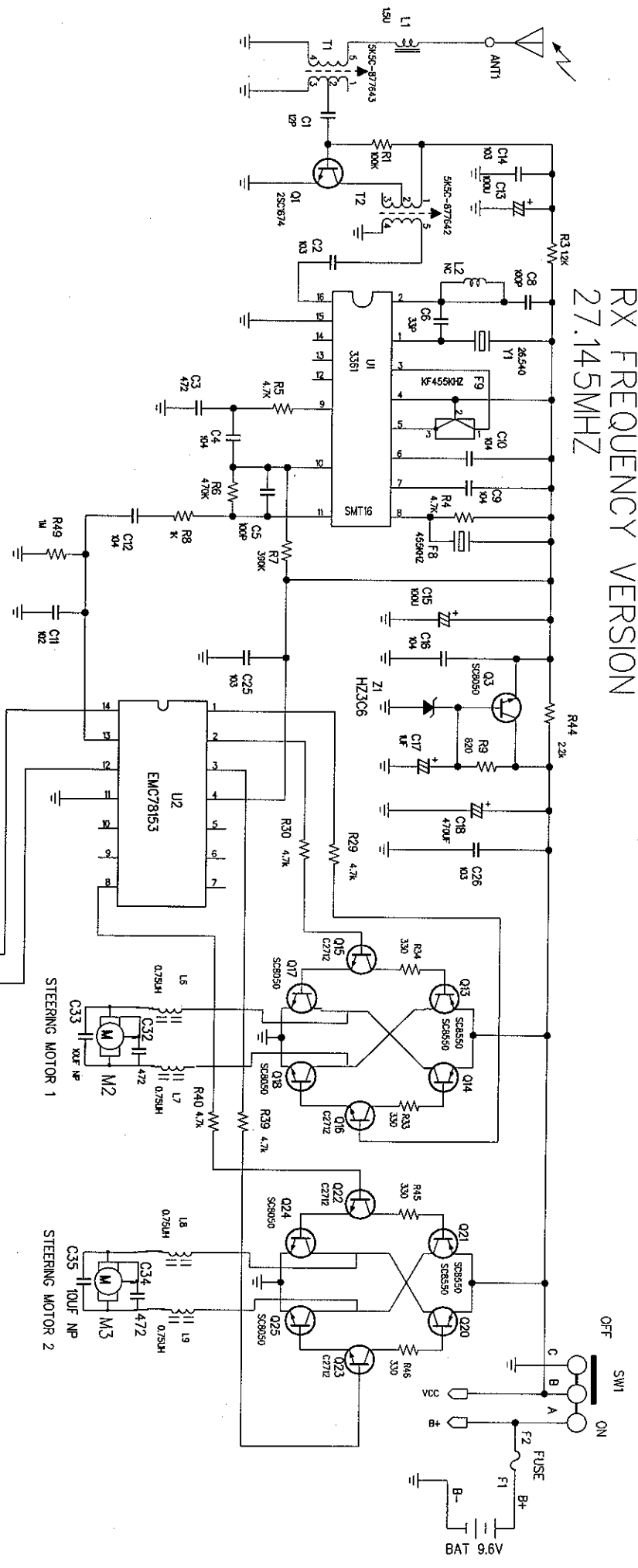


RX FREQUENCY VERSION 27.145MHZ

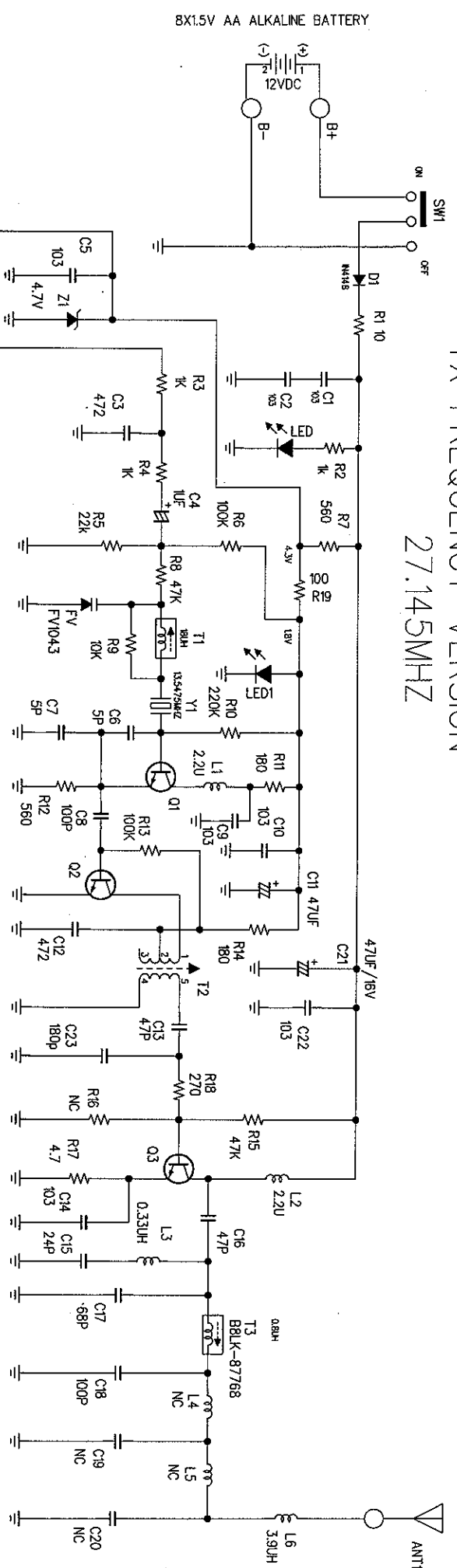


DRAWN:	DATE:	TITLE	SCH NO.
CST	22-7-2006	SCHEMATIC DIAGRAM	
CHECKED:	DATE:	MODEL CODE / NAME	
TAM	23-7-2006	RC DOLPHIN	
APPROVED:	DATE:	PARTS CODE / NAME	
BLY	26-7-2006	050-4708B01-0001	

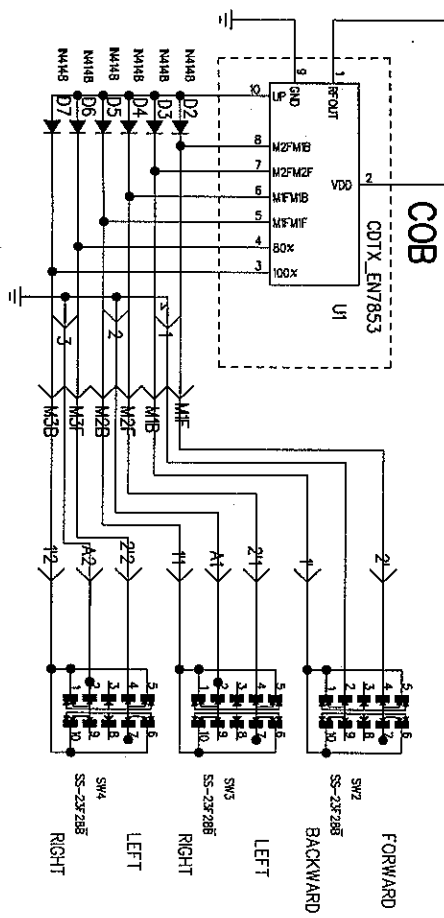
DYNAMIC INDUSTRIES CO. LTD



TX FREQUENCY VERSION 27.145MHZ



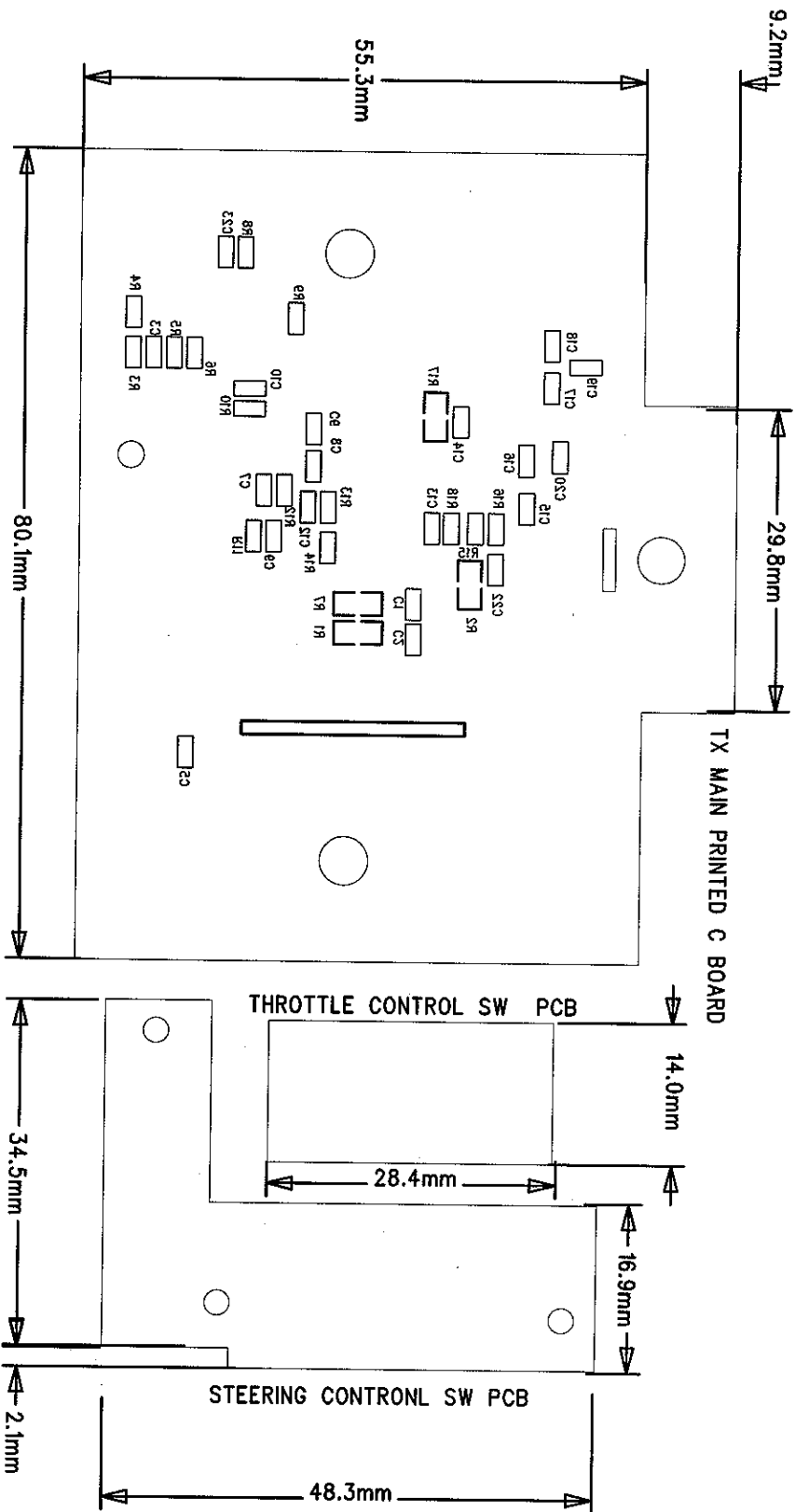
NC=NO CONNECTION



TX SECTION

DRAWN:	DATE:	TITLE	SCH. NO.
TAM	24-7-2006	SCHEMATIC DIAGRAM	
CHECKED:	DATE:	MODEL CODE / NAME	
YKY	24-7-2006	RC DOLPHIN	
APPROVED:	DATE:	PARTS CODE / NAME	
BILLY	26-7-2006	050-4708T01-0001	

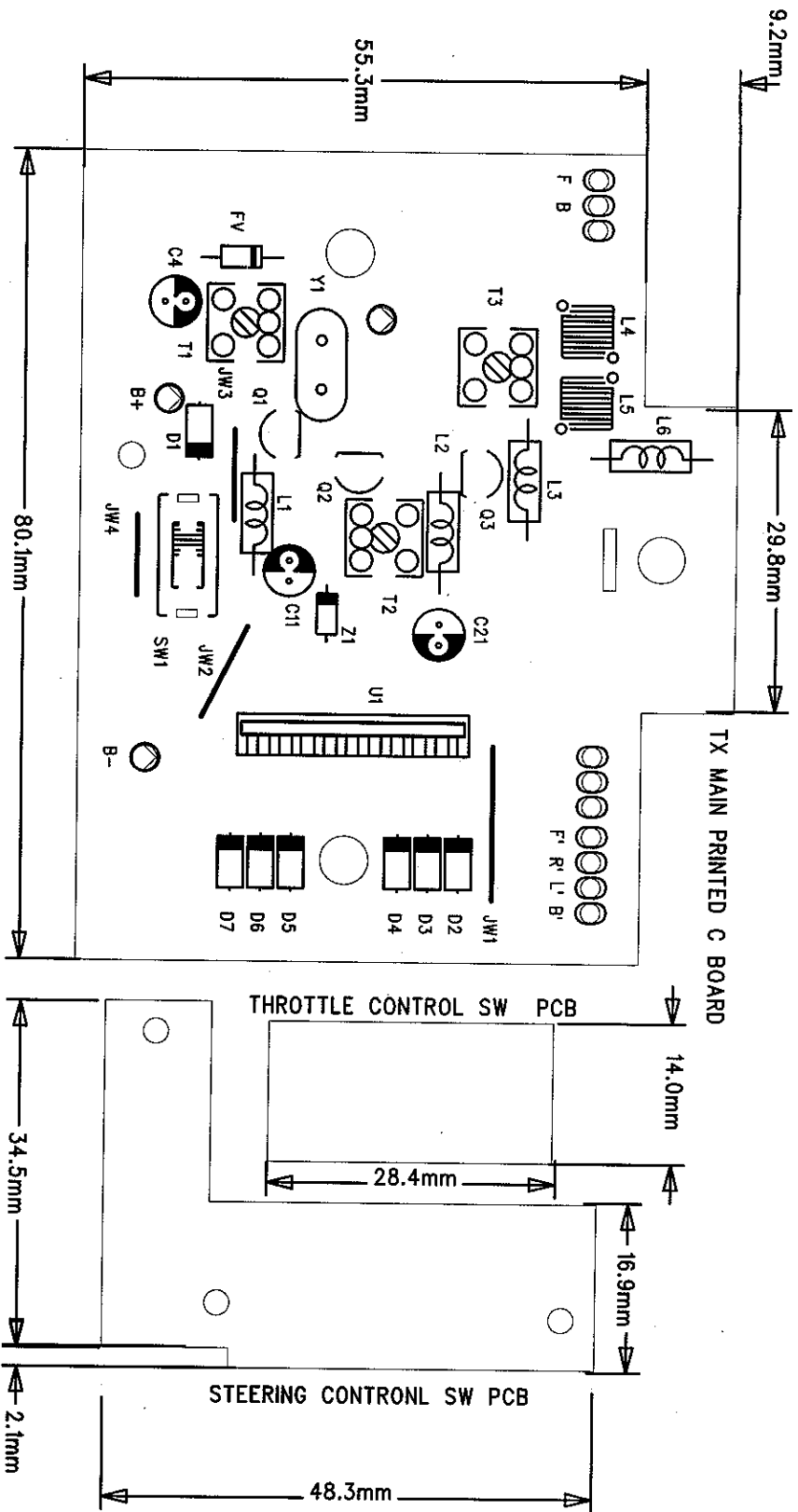
DYNAMIC INDUSTRIES CO. LTD



RC DOLPHIN TX PCB

DRAWN:	DATE:	TITLE:	SCALE:	UNIT:
LITTLE	22-7-2006	PRINTED CIRCUIT BOARD	3:2	mm
CHECKED:	DATE:	MATERIAL:	PCB NO:	VER.
XY	23-7-2006	94HB THICK 1.6mm	050-470701-A007	1.0
APPROVED:	DATE:	CREATE DATE:	PART NO:	DATE:
BILLY	28-7-2006		050-470801-05A	
			PAGE 3 OF	

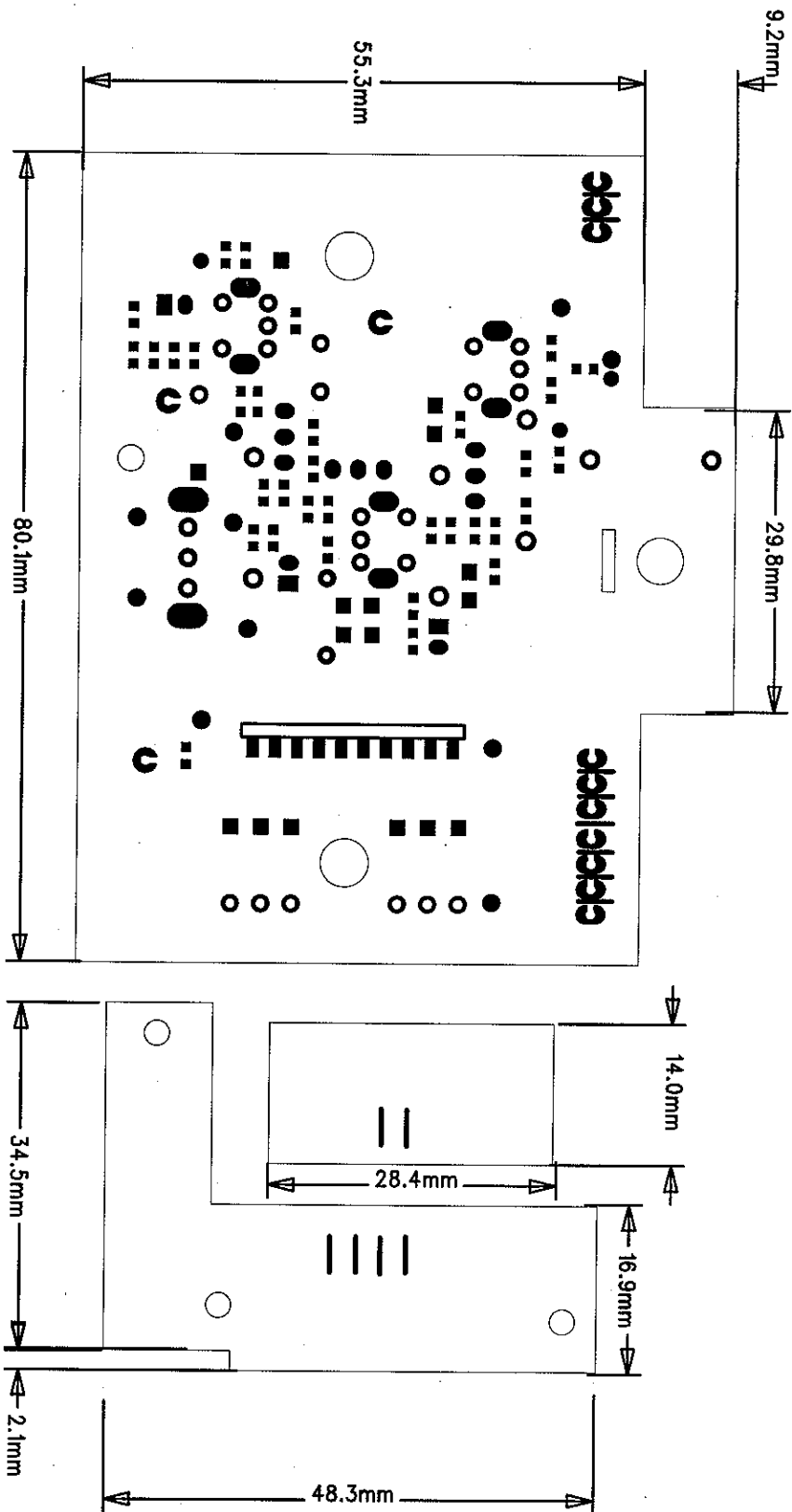
Dynamic industries co. ltd.



RC DOLPHIN TX PCB

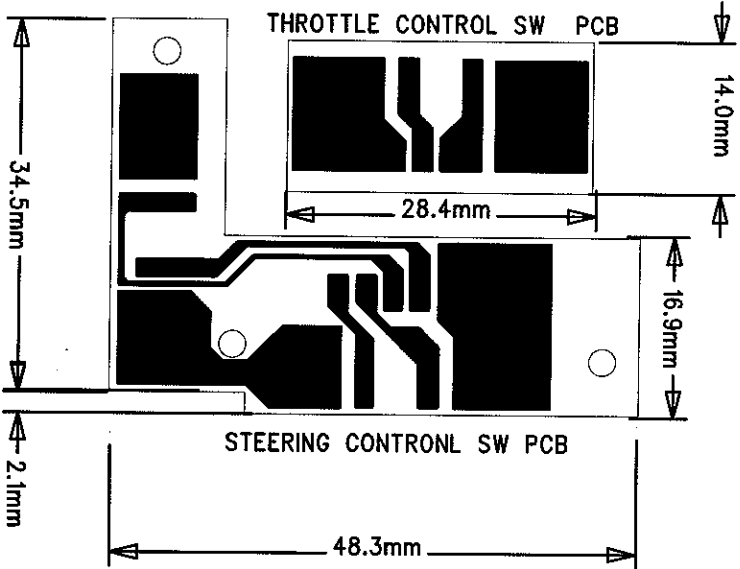
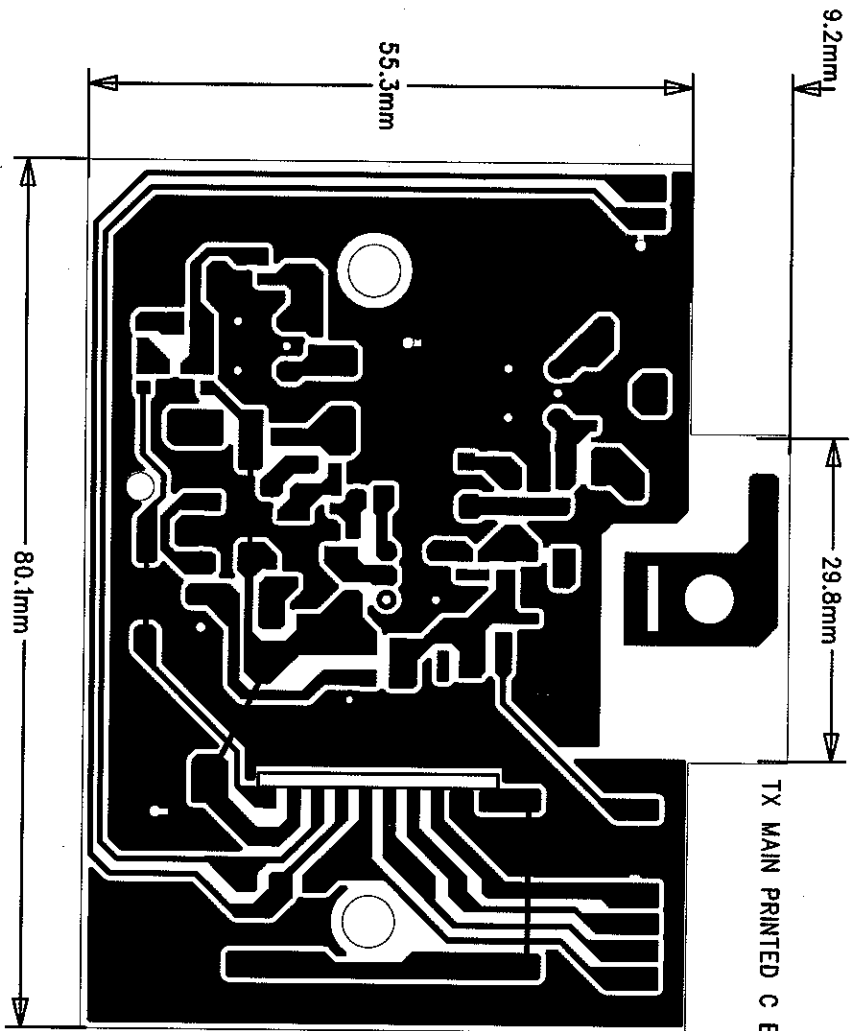
DRAWN:	DATE:	TITLE:	SCALE:
LITTLE	22-7-2006	PRINTED CIRCUIT BOARD	3:2
CHECKED:	DATE:	MATERIAL:	UNIT:
YXY	23-7-2006	94HB THICK 1.6mm	mm
APPROVED:	DATE:	CREATE DATE:	VER. DATE:
BILLY	26-7-2006		1.0
		PART NO:	PAGE 2 OF
		050-470801-05A	

Dynamic industries co. ltd.



ORIGIN	DATE	TITLE	SCALE	UNIT
LITTLE	22-7-2006		3:2	MM
CHECKED:	DATE	MATERIAL:	PCB NO:	VER.
YXY	23-7-2006	94HB THICK 1.6mm	050-470101-A007	1.0
APPROVED:	DATE	CREATE DATE	PART NO.	PAGE
BILLY	26-7-2006		050-470R01-05A	OF

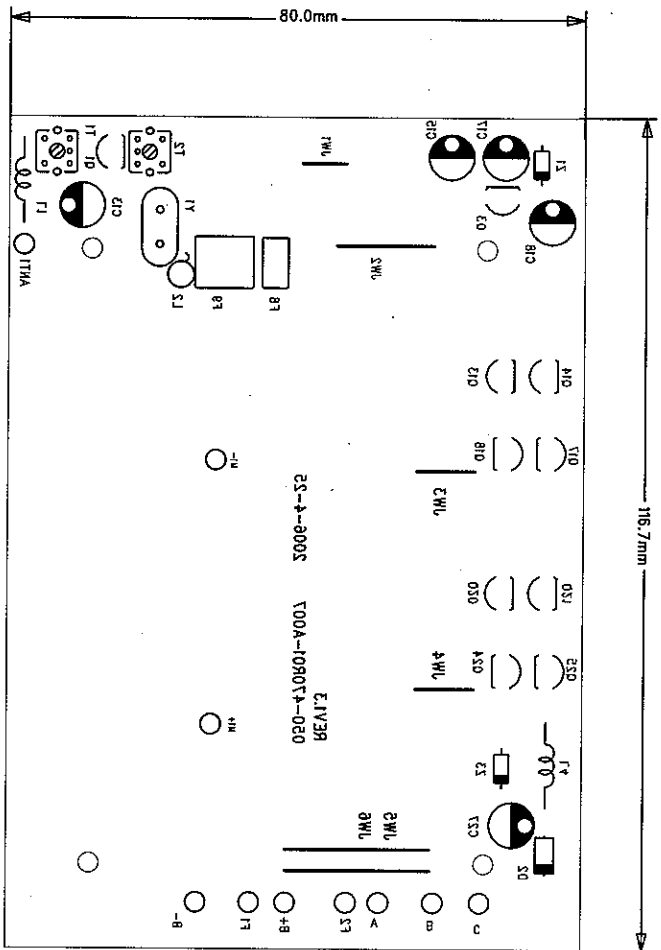
Dynamic industries co. ltd.



RC DOLPHIN TX PCB

DRAWN: LITTLE	DATE: 22-7-2006	TITLE: PRINTED CIRCUIT BOARD	SCALE: 3:2	UNIT: mm
CHECKED: YKY	DATE: 23-7-2006	MATERIAL: 94HR THICK 1.6mm	VER. 1.0	DATE:
APPROVED: BILLY	DATE: 26-7-2006	CREATE DATE:	PART NO. 050-470R01-05A	PAGE OF

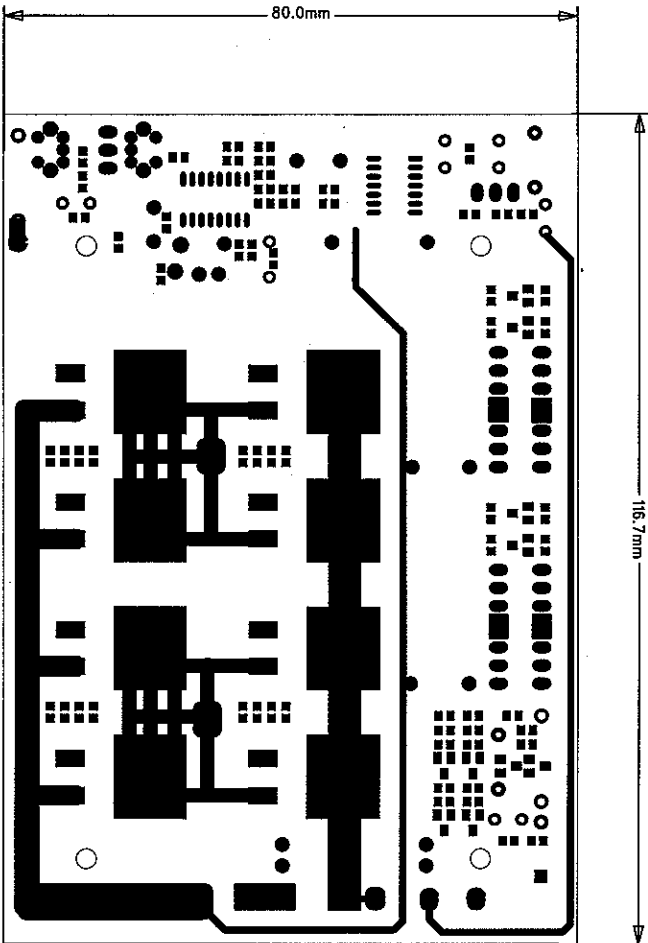
Dynamic industries co. ltd.



RE DOLPHIN RX PCB

DO NOT SCALE DRAWING	TITLE	PRINTED CIRCUIT BOARD	VER	02
UNLESS OTHERWISE SPECIFIC DEC. XSP0.1 ANGLE. XSP1X.0	MATERIAL:	9410 1.6MM SINGLE SIDE	FINISH:	NATURAL
GENERAL DRAFT	MODEL:	RC DOLPHIN	PART NO.:	050-470R01-A007
UNLESS OTHERWISE SPECIFIC	DRAWN: LITTLE	CHECKED: TAM	APPROVED: BILLY	SIZE
WALL THICKNESS	DATE: 22-7-2006	DATE: 23-7-2006	DATE: 28-7-2006	A4

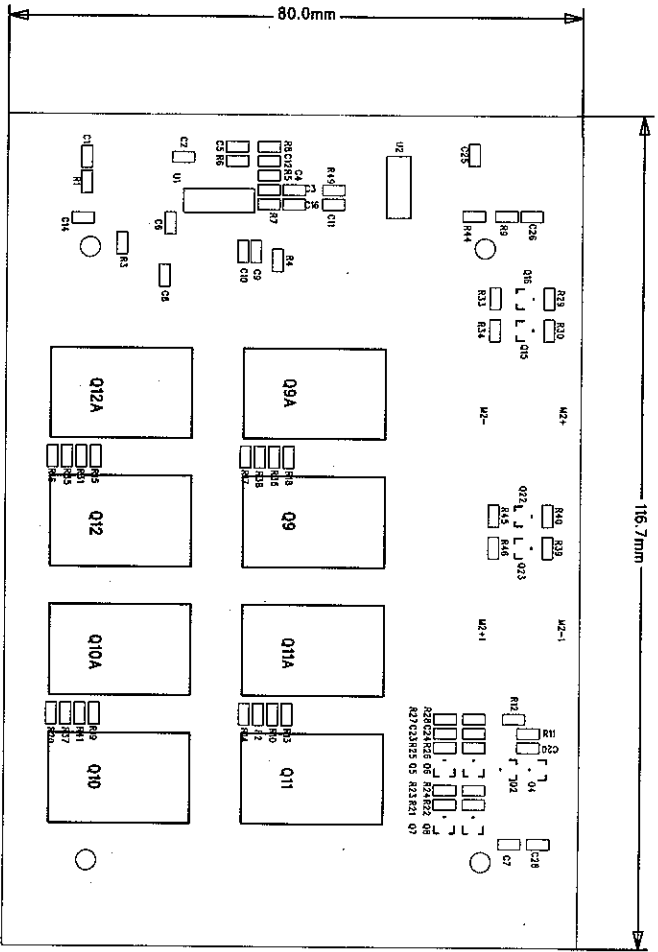
Dynamic industries co. Ltd.



RE DOLPHIN RX PCB

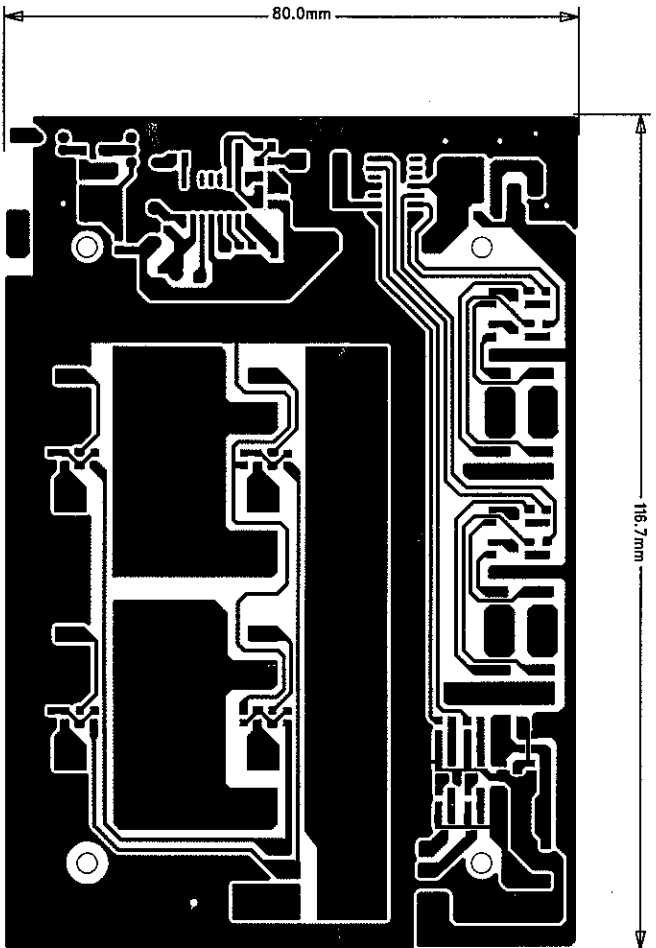
DO NOT SCALE DRAWING	TITLE	PRINTED CIRCUIT BOARD	VER	02
UNLESS OTHERWISE SPECIFIC	MATERIAL:	94HB 1.6MM SINGLE SIDE	FINISH:	NATURAL
DEC XXPOL ANGLE: X2P2X2D	MODEL:	RC DOLPHIN	PART NO.:	050-470R01-A007
GENERAL DRAFT	DRAWN: LITTLE	CHECKED: TAM	APPROVED: BILLY	SIZE: A4
UNLESS OTHERWISE SPECIFIC	DATE: 22-7-2006	DATE: 23-7-2006	DATE: 28-7-2006	
WALL THICKNESS				

Dynamic industries co. ltd.



RE DOLPHIN RX PCB

DO NOT SCALE DRAWING	TITLE	PRINTED CIRCUIT BOARD	VER	02
UNLESS OTHERWISE SPECIFIC	MATERIAL	3MM 1.6MM SINGLE 30C	FINISH	NATURAL
DEC XREF(1 ANGLE XREF(X)X(D)	MODEL	RC DOLPHIN	PART NO.	050-470R01-A007
GENERAL DRAFT	DRAWN: LITTLE	CHECKED: TAM	APPROVED: BILLY	SIZE
UNLESS OTHERWISE SPECIFIC	DATE: 22-7-2008	DATE: 23-7-2008	DATE: 28-7-2008	A4
WALL THICKNESS	Dynamic industries co. ltd.			



RE DOLPHIN RX PCB

DO NOT SCALE DRAWING	TITLE	PRINTED CIRCUIT BOARD	VER	02	SCALE	1:1
UNLESS OTHERWISE SPECIFIC DEC XREFL ANGLE XREFIXZD	MATERIAL:	3MM 16MM SINGLE SIDE	FINISH:	NATURAL		
GENERAL DRAFT	MODEL:	RC DOLPHIN	PART NO:	050-470R01-A007		
UNLESS OTHERWISE SPECIFIC WALL THICKNESS	DRAWN: LITTLE	CHECKED: TAM	APPROVED: BILLY	DATE: 22-7-2006	DATE: 23-7-2006	DATE: 26-7-2006
Dynamic industries co. ltd.						