

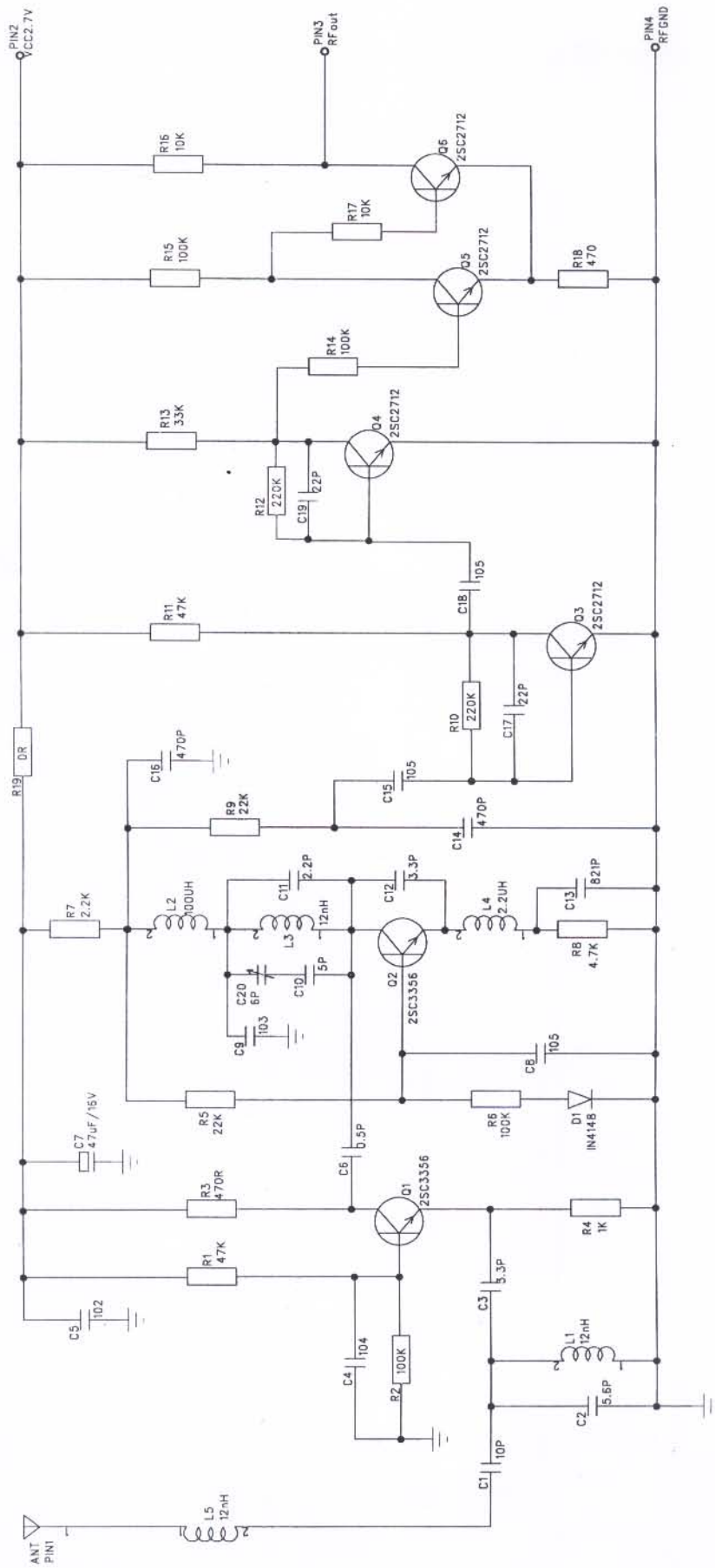
Title			<b>MCU-B2</b>		
Size	4 A	Number	zhuzhiyun		Revision
Date	2006,10 16		sheet		of
file					

D

C

B

A



D

C

B

A

Title

MCU-B1

Size

4A

Number

zhuzhiyun

Revision

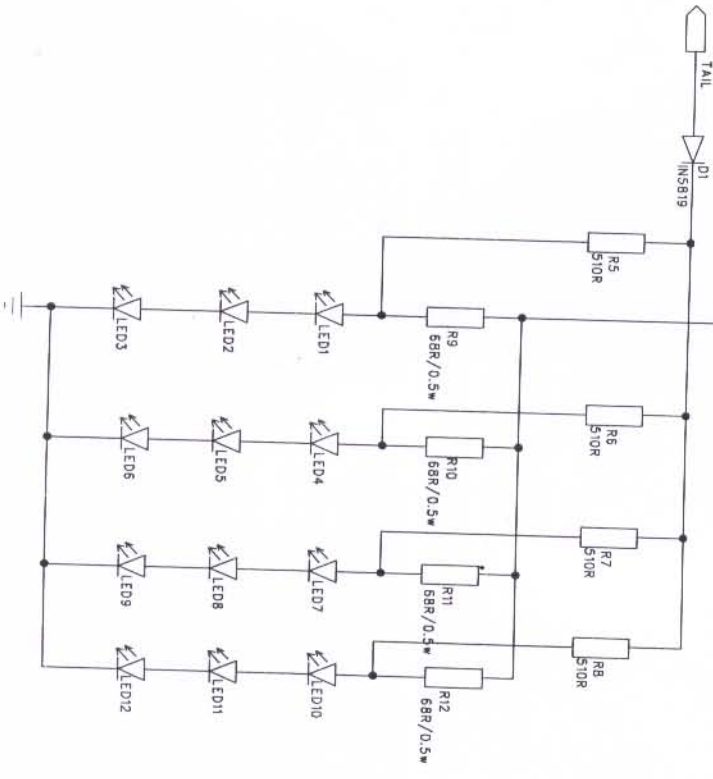
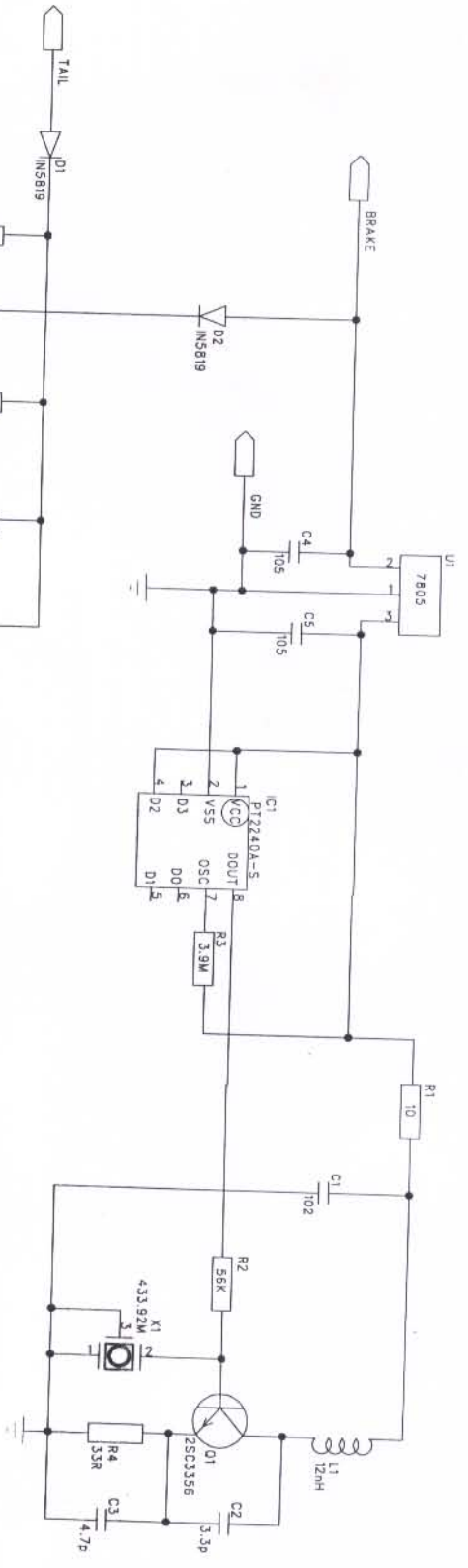
Date

2006,09 29

sheet

of

file



# RF-B1

Title		RF-B1	
Size	4 A	Number	zhuzhiyun
Date	2006,10 19	Revision	
file		sheet	of