

**IMPORTANT:**  
Read Before Using

**IMPORTANT :**  
Lire avant usage

**IMPORTANTE:**  
Leer antes de usar



**Operating/Safety Instructions**  
**Consignes de sécurité/d'utilisation**  
**Instrucciones de funcionamiento y seguridad**

**GCY 30-5 T**



**BOSCH**

**1-877-BOSCH99 (1-877-267-2499) [www.boschtools.com](http://www.boschtools.com)**

Call Toll Free for  
Consumer  
Information and Service  
Locations

Pour obtenir des informations et les  
adresses de nos centres de service  
après-vente, appelez ce numéro gratuit

Llame gratis para obtener in-  
formación para el consumidor  
y ubicaciones de servicio



**For English Version**  
**See page 2**

**Version française**  
**Voir page 19**

**Versión en español**  
**Ver la página 36**

## Safety Symbols

The definitions below describe the level of severity for each signal word. Please read the manual and pay attention to these symbols.

	This is the safety alert symbol. It is used to alert you to potential personal injury hazards. Obey all safety messages that follow this symbol to avoid possible injury or death.
	DANGER indicates a hazardous situation which, if not avoided, will result in death or serious injury.
	WARNING indicates a hazardous situation which, if not avoided, could result in death or serious injury.
	CAUTION, used with the safety alert symbol, indicates a hazardous situation which, if not avoided, will result in minor or moderate injury.


## General Safety Rules

 **Read all safety warnings and all instructions.** Failure to follow the warnings and instructions may result in electric shock, fire and/or serious injury.

**SAVE ALL WARNINGS AND INSTRUCTIONS FOR FUTURE REFERENCE**

 **Only use batteries listed in this operating manual. Only use Button/coin cell 3V lithium CR2477 battery.** Do not use any other button/coin cells or other forms of electrical power supply.

 **Ensure that battery replacement is carried out properly.** There is a risk of explosion.

 **Chemical Burn Hazard. Keep batteries away from children.** This product contains a lithium button/coin cell battery. If a new or used lithium button/coin cell battery is swallowed or enters the body, it can cause severe internal burns and can lead to death in as little as 2 hours. If you think a battery might have been swallowed or placed inside any part of the body, seek immediate medical attention.

**SAVE THESE INSTRUCTIONS**

**⚠ WARNING** Always completely secure the battery compartment cover. If the battery compartment cover does not close securely, stop using the product, remove the battery, and keep it away from children.

**⚠ WARNING** When discarding batteries, insulate the '+' and '-' terminals with insulating tape. When disposed of improperly, lithium batteries may short, causing them to become hot, burst or ignite.

**⚠ WARNING** Never dispose of the batteries in a fire or expose to high heat. The batteries may explode.

**⚠ WARNING** Do not attempt to recharge the batteries and do not short circuit the batteries. The batteries may leak, explode, catch fire and cause personal injury.

**⚠ WARNING** Follow all instructions and warnings provided by your Bluetooth® device manufacturer. Failure to follow recommended procedures could result in personal injury or property damage.

**⚠ CAUTION** GCY 30-5 T is equipped with a radio interface. Local operating restrictions, e.g. in military sites or hospitals, are to be observed. Transmitters have demonstrated an ability to unintentionally interfere with other devices.

#### THINK SAFETY

SAFETY IS A COMBINATION OF OPERATOR COMMON SENSE AND ALERTNESS AT ALL TIMES WHEN THE CONNECTIVITY MODULE IS BEING USED.

## Licenses

Copyright (C) 2015 Infineon Technologies AG

All rights reserved. Redistribution and use in source and binary forms, with or without modification, are permitted provided that the following conditions are met:

- Redistributions of source code must retain the above copyright notice, this list of conditions and the following disclaimer.
- Redistributions in binary form must reproduce the above copyright notice, this list of conditions and the following disclaimer in the documentation and/or other materials provided with the distribution.
- Neither the name of the copyright holders nor the names of its contributors may be used to endorse or promote products derived from this software without specific prior written permission.

THIS SOFTWARE IS PROVIDED BY THE COPYRIGHT HOLDERS AND CONTRIBUTORS "AS IS" AND ANY EXPRESS OR IMPLIED WARRANTIES, INCLUDING, BUT NOT LIMITED TO, THE IMPLIED WARRANTIES OF MERCHANTABILITY AND FITNESS FOR A PARTICULAR PURPOSE ARE DISCLAIMED. IN NO EVENT SHALL THE COPYRIGHT OWNER OR CONTRIBUTORS BE LIABLE FOR ANY DIRECT, INDIRECT, INCIDENTAL, SPECIAL, EXEMPLARY, OR CONSEQUENTIAL DAMAGES (INCLUDING, BUT NOT LIMITED TO, PROCUREMENT OF SUBSTITUTE GOODS OR SERVICES; LOSS OF USE, DATA, OR PROFITS; OR BUSINESS INTERRUPTION) HOWEVER CAUSED AND ON ANY THEORY OF LIABILITY, WHETHER IN CONTRACT, STRICT LIABILITY, OR TORT (INCLUDING NEGLIGENCE OR OTHERWISE) ARISING IN ANY WAY OUT OF THE USE OF THIS SOFTWARE, EVEN IF ADVISED OF THE POSSIBILITY OF SUCH DAMAGE.

## FCC Caution

The manufacturer is not responsible for radio interference caused by unauthorized modifications to this equipment. Such modifications could void the user's authority to operate the equipment.

This device complies with Part 15 of the FCC Rules. Operation is subject to the following two conditions:

- 1) This device may not cause harmful interference, and
- 2) This device must accept any interference received, including interference that may cause undesired operation.

**NOTE!** This equipment has been tested and found to comply with the limits for a Class B digital devices, pursuant to Part 15 of the FCC rules. These limits are

designed to provide reasonable protection against harmful interference in a residential installation. This equipment generates, uses and can radiate radio frequency energy and, if not installed and used in accordance with the instructions, may cause harmful interference to radio communications. However, there is no guarantee that interference will not occur in a particular installation. If this equipment does cause harmful interference to radio or television reception, which can be determined by turning the equipment off and on, the user is encouraged to try to correct the interference by one or more of the following measures:

- Reorient or relocate the receiving antenna.
- Increase the separation between the equipment and receiver.
- Connect the equipment into an outlet on a circuit different from that to which the receiver is connected.
- Consult the dealer or an experienced radio/TV technician for help.

“Exposure to Radio Frequency (RF) Signals: The wireless device is a radio transmitter and receiver. It is designed and manufactured not to exceed the emission limit for exposure to radio frequency (RF) energy set by the Ministry of Health (Canada), Safety Code 6. These limits are part of comprehensive guidelines and established permitted levels of RF energy for the general population.

These guidelines are based on the safety standards previously set by international standard bodies. These standards include a substantial safety margin designed to assure the safety of all persons, regardless of age and health.

This device and its antenna must not be co-located or operating in conjunction with any other antenna or transmitter.

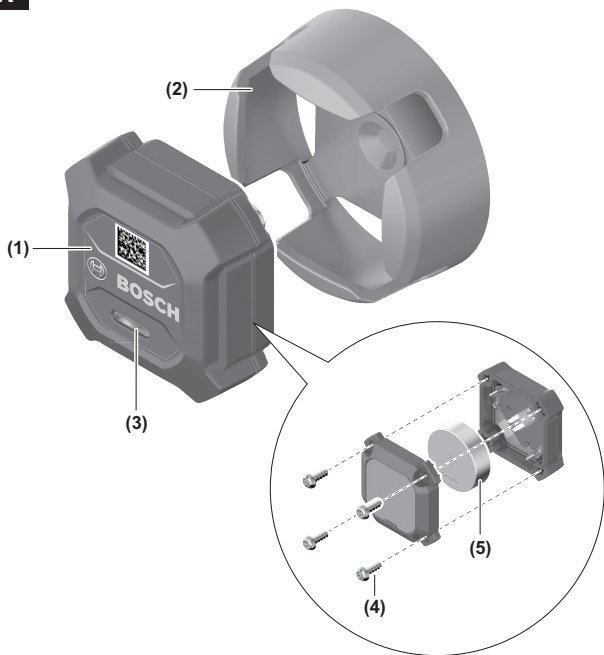
## **Industry Canada**

This device contains license-exempt transmitter(s)/receiver(s) that comply with Innovation, Science and Economic Development Canada’s license-exempt RSS(s). Operation is subject to the following two conditions:

- (1) This device may not cause interference.
- (2) This device must accept any interference, including interference that may cause undesired operation of the device.

## **Radiation Exposure statement**

This equipment complies with IC radiation exposure limits set forth for an uncontrolled environment. This equipment should be installed and operated with minimum distance 1cm between the radiator and your body.



## Description and Specifications

- 1 Bluetooth® low energy Module GCY 30-5 T
- 2 Base
- 3 Button with LED backlight
- 4 Housing Screws (4)
- 5 Button cell

<b>Specifications</b>	
Model	GCY 30-5 T
Bluetooth® module	Bluetooth® 5.0
Operating temperature	14 °F...+ 104 °F (-10 °C...+40 °C)
Storage temperature	-4 °F...+ 158 °F (-20 °C...+70 °C)
Degree of protection	IP 67 (water-tight)
Dimensions	1½" x 1¼" x ½" dia. 46mm
Weight according to EPTA-Procedure 01:2014	0.75 oz. (0.03 kg)
<b>Data transmission</b>	
Bluetooth®	Bluetooth® 5 (Low Energy) <sup>A</sup>
Signal Interval	8s
Signal Range	100 ft. (30 m) <sup>B</sup>
Frequency range used	2400-2483.5 MHz
Output power	TBD
<b>Power Supply</b>	
Battery	Button/coin cell (3 V lithium battery, CR2477)
Battery service life, approx.	24 months

<sup>A</sup> The mobile terminal device must be compatible with Bluetooth® Low Energy devices (version 5) and support the Generic Access Profile (GAP).

<sup>B</sup> The signal range may vary greatly depending on external conditions. The Bluetooth® range may be significantly weaker inside closed rooms and through metallic barriers (e.g. walls, shelving, units, cases, etc.)

IC: 909H-GCY305T

FCC: TXTGCY30-5T

<b>System Requirements</b>	
Mobile terminal device (tablet, smartphone)	Android 5.1 (and above)
	iOS 10 (and above)
	Bluetooth® 5.0 (and above)
PC	Windows Vista, 7, 8, 8.1
	Linux Mint 17, Ubuntu 14.10, Debian GNU/Linux 7.0, Mageia 4, Fedora 21
	Mac OS X 10.7 to 10.10
Browser	Internet Explorer 10 (and above), Firefox 28 (and above), Chrome 26 (and above), Safari 7.0 (and above)

## Intended Use

Bosch combines Bluetooth connectivity, engineering, and the cloud to enable real time asset tracking. This product is intended to be used as an active Bluetooth tag-based system which, when attached to an industrial asset, can help determine its' location. Paired to BlueHound, a user can find the last seen location of the assigned equipment. Asset location is indicated within the range of Bluetooth, it's not provided by GPS.



## Assembly and Preparations

### Registering and setting up the app/web-based applications

Before you can use the GCY 30-5 T, you need to register with **Bosch BlueHound** online.

- Open the website **www.boschtools.com/bluehound.com** and register.

After registration is complete, you will receive your access information.

Bosch offers a special application (app) or web-based application for managing the inserted GCY 30-5 T module and determining its location. **Note:** Tool presence is indicated within the range of the GCY42 Bluetooth® transmitter, it is not provided by GPS.

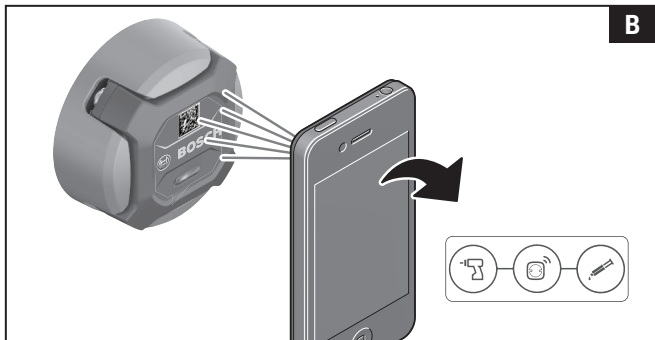
- Download the **Bosch BlueHound** app/web-based application via the appropriate app store (Apple App Store, Google Play Store) or access the web application at **https://boschtracking.com**, where you can log in using your access details.

You can now create and manage your inventory using the app/web-based application.

### Help on using the app/web-based application and creating the asset inventory

**Note:** First, complete the tutorial for the app/web-based application. This will provide you with a better overview of the procedure for creating the asset inventory and using the software.

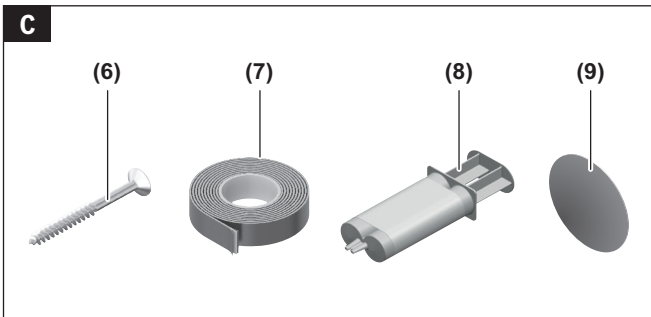
- Scan the DMC (Data Matrix Code) on the top face of the GCY 30-5 T module using the Bosch BlueHound app (see figure B).
- Once fully scanned, the GCY 30-5 T module is clearly identified within the app and can be assigned to continue set up of your asset.



## Initial Set-Up (see figure D through G)

**⚠ WARNING** Never attach base using fastener to power tools or on surfaces covering electrical wiring, water lines or other systems. Contact with hidden components may cause personal injury and/or property damage.

**⚠ WARNING** Always comply with the application, disposal and warning instructions of the adhesive/epoxy manufacturer. Improper use can result in personal injury and/or property damage.



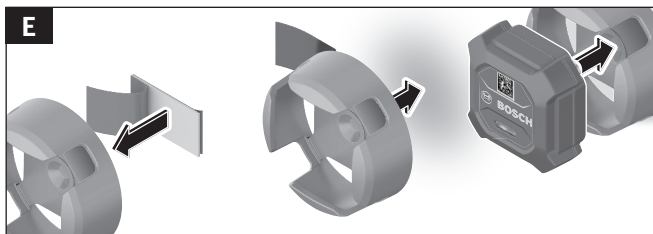
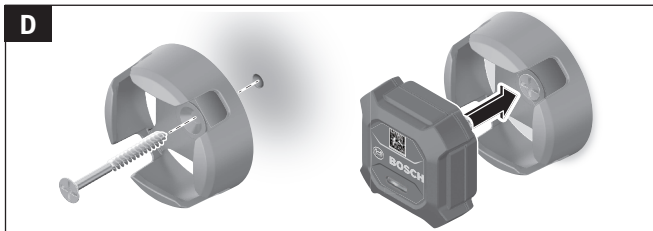
### Suggested Attachment Accessories (Not included)

- 6 Fastening screw - Self tapping screw size 4 (Metric M3) of appropriate length
- 7 Double-sided adhesive tape
- 8 Two part adhesive epoxy
- 9 Polycarbonate (PC) film

## Attaching GCY 30-5 T

The Bluetooth® module (1) can be attached to smooth walls with the aid of the base (2). Once the base is attached, insert the Bluetooth® module (1) into the base (2).

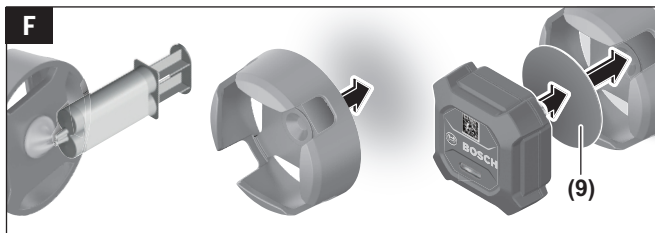
The base (2) can be attached to the designated surface using either a screw (Fig D), double sided tape (Fig E), or Adhesive/Epoxy (Fig F).



Use a commercially available two-part adhesive (not supplied) for attachment of the GCY 30-5 T to a power tool or industrial asset. Observe all processing instructions from the adhesive manufacturer. The use of other adhesives may be adequate depending on the application and environment. Choosing the right adhesive composition will create a long lasting bond between the GCY 30-5 T base and the tool.

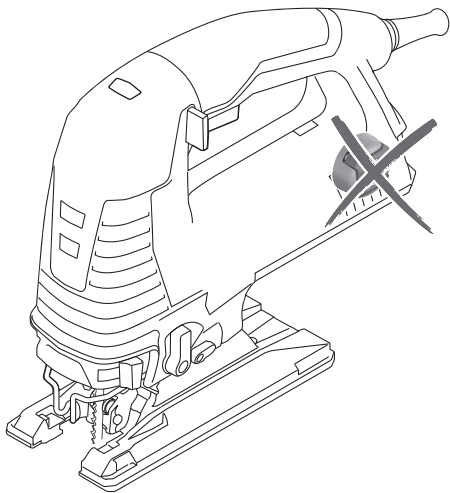
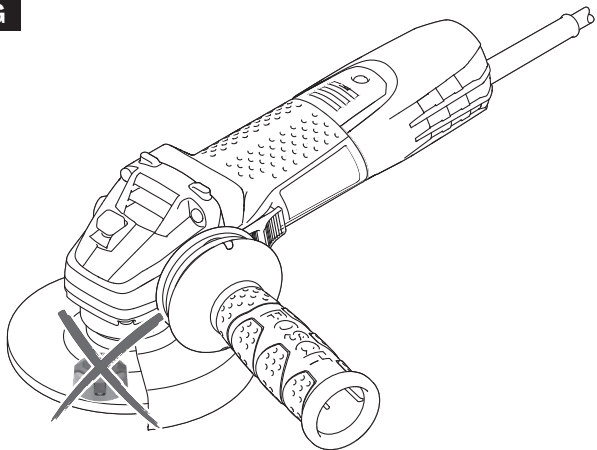
**Prepare the bonding surface in accordance with the instructions from the manufacturer of the two-part adhesive.** If the power tool is not properly cleaned before bonding, the material properties could change, potentially leading to damage.

**Note:** If using adhesive, ensure that you do not apply so much adhesive to the reverse of the holder that excess adhesive protrudes from the sides when pressing the holder against the wall, or to the point where the Bluetooth® module is permanently affixed to the holder when inserting the Bluetooth® module. Therefore, place the PC film **(9)** between the base **(2)** and the Bluetooth® module **(1)**.



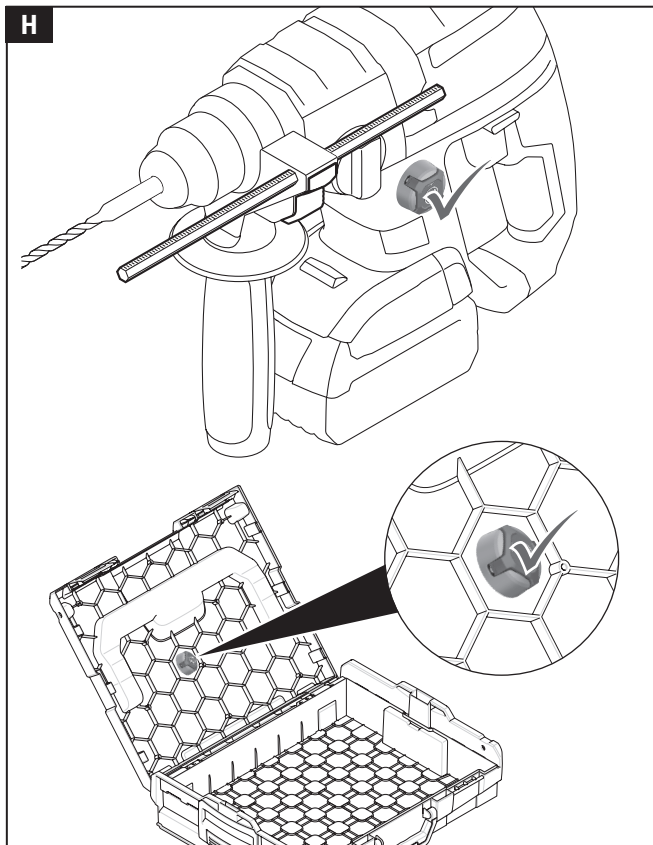
**It must be ensured that attaching the GCY 30-5 T does not limit the proper and safe use of the power tool at any time.** Attaching a GCY 30-5 T at the following locations is prohibited (see figure G for an example):

- Protective guards,
- Ventilation openings,
- Components that are actively operated (e.g. switches, controllers, inlets, etc.)
- Moving or rotating components,
- Labels/nameplates,
- Operating panels and grip surfaces,
- Soft grip surfaces,
- Surfaces in the direct vicinity of sparks,
- Surfaces that are exposed to strong mechanical or thermal effects,
- Surfaces that ensure that the power tool is positioned safely,
- Surfaces that could be damaged by adhesive components.
- Power cords
- Hard hats or other personal protective equipment.

**G**

The following locations are suitable for attaching a GCY 30-5 T (see figure H for an example):

- Surfaces where attaching the GCY 30-5 T does not prevent or complicate the operation of the power tool,
- Surfaces that will not be exposed in the event that the power tool falls over,
- Surfaces with the minimum possible curvature.



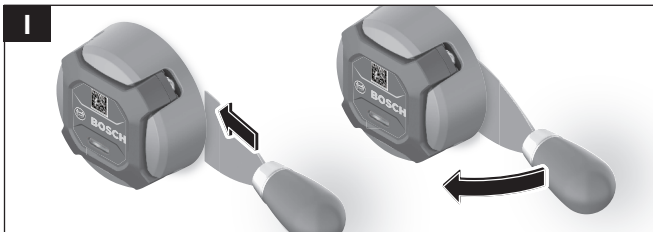
## Removing the GCY 30-5 T

Do not use any sharp or pointed tools, which may cause damage to GCY 30-5 T or the surface of the power tool it is attached to.

If you have to use chemicals to thin the adhesive, make sure the chemicals (e.g. thinners) do not damage the plastic surface of a power tool or GCY 30-5 T.

If the base was attached to the object using adhesive, the base can be lifted off the object either with a putty knife or a wide slotted screwdriver (see figure I).

If the base was attached to the object using a screw, remove the Bluetooth® module (1) from the base (2), unscrew the fastening screw (4) and remove the base (2). (Reverse of figure D)

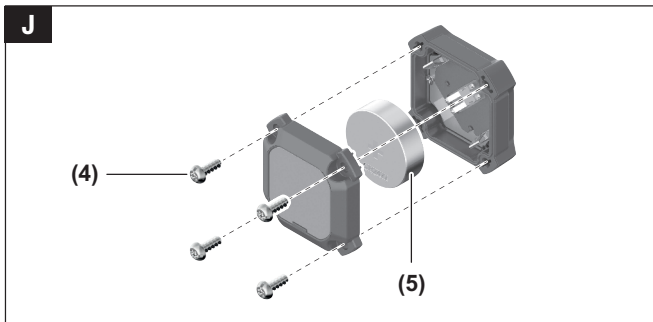


## Battery change (see figure J)

Unscrew the 4 housing screws (4) and remove them.

Remove the old button cell (5) from the housing and replace the button cell with a new one. When inserting, pay attention to the correct polarity.

Re-insert the four screws and screw them tight using a torque of  $3.45 \pm 0.45$  kgf cm.



## Operation

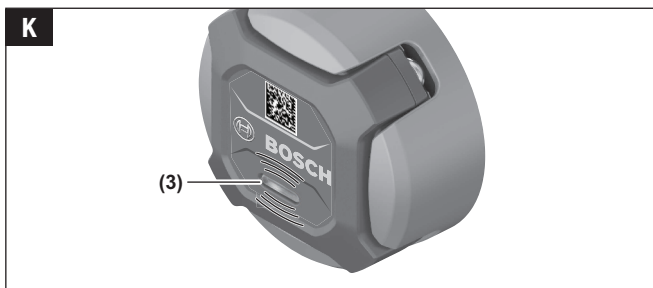
The Bluetooth® module GCY 30-5 T works with Bluetooth® Low Energy. Bluetooth® Low Energy is a form of wireless communication specially developed for short-range communication, which transmits data packets at regular intervals.

### Setting up the Bluetooth® module

Press the button **(3)** for 3 seconds. The LED light flashes continuously at 0.5 second intervals for about 40 seconds. (see figure K)

The Bluetooth® module can be found by the mobile app. The Bluetooth® module's unique code is recorded and the pairing is completed. After successful pairing, the LED flashes 3 times for 1 second, then the LED then goes out.

The Bluetooth® module switches to transmission mode and transmits via Bluetooth®.



### Data transmission via Bluetooth®

The GCY 30-5 T receives configuration information from the mobile app.

In the meantime, the mobile app records the GCY 30-5 T's ID profile to match it with the design of the Bluetooth® module.

The mobile app transmits installation updates to the cloud server via 4G/Wi-Fi.

### Checking the button cell status:

If the Bluetooth® module is in transmission mode, the Bluetooth® module automatically reports the battery status to the app every 60 minutes.

To query the battery status, press the button **(3)**. The LED then flashes for one second and goes out again. The battery voltage is checked and transmitted to the app.



### Service

**⚠ WARNING** **NO USER SERVICEABLE PARTS INSIDE.** Preventive maintenance performed by unauthorized personnel may result in misplacing of internal wires and components which could cause serious hazard. We recommend that all tool service be performed by a Bosch Factory Service Center or Authorized Bosch Service Station.

For support email: [bluehound@us.bosch.com](mailto:bluehound@us.bosch.com)

### Maintenance and Cleaning

Remove debris with a brush. Do not use any cleaning agents or solvents.

**⚠ CAUTION** **Certain cleaning agents and solvents can damage plastic parts.** Some of these are: gasoline, carbon tetrachloride, chlorinated cleaning solvents, ammonia and household detergents which contain ammonia. Avoiding use of these and other types of cleaning agents will minimize the possibility of damage.

## **LIMITED WARRANTY OF BOSCH PORTABLE AND BENCHTOP POWER TOOLS**

Robert Bosch Tool Corporation ("Seller") warrants to the original purchaser only, that all BOSCH portable and benchtop power tools will be free from defects in material or workmanship for a period of one year from date of purchase. Seller's sole obligation and your exclusive remedy under this Limited Warranty and, to the extent permitted by law, any warranty or condition implied by law, shall be the repair or replacement of parts, without charge, which are defective in material or workmanship and which have not been misused, carelessly handled, or misrepaired by persons other than Seller or Authorized Service Station. To make a claim under this Limited Warranty, you must return the complete portable or benchtop power tool product, transportation prepaid, to any BOSCH Factory Service Center or Authorized Service Station. For Authorized BOSCH Power Tool Service Stations, please refer to your phone directory.

THIS LIMITED WARRANTY DOES NOT APPLY TO ACCESSORY ITEMS SUCH AS CIRCULAR SAW BLADES, DRILL BITS, ROUTER BITS, JIGSAW BLADES, SANDING BELTS, GRINDING WHEELS AND OTHER RELATED ITEMS.

ANY IMPLIED WARRANTIES SHALL BE LIMITED IN DURATION TO ONE YEAR FROM DATE OF PURCHASE. SOME STATES IN THE U.S., SOME CANADIAN PROVINCES DO NOT ALLOW LIMITATIONS ON HOW LONG AN IMPLIED WARRANTY LASTS, SO THE ABOVE LIMITATION MAY NOT APPLY TO YOU.

IN NO EVENT SHALL SELLER BE LIABLE FOR ANY INCIDENTAL OR CONSEQUENTIAL DAMAGES (INCLUDING BUT NOT LIMITED TO LIABILITY FOR LOSS OF PROFITS) ARISING FROM THE SALE OR USE OF THIS PRODUCT. SOME STATES IN THE U.S. AND SOME CANADIAN PROVINCES DO NOT ALLOW THE EXCLUSION OR LIMITATION OF INCIDENTAL OR CONSEQUENTIAL DAMAGES, SO THE ABOVE LIMITATION OR EXCLUSION MAY NOT APPLY TO YOU.

THIS LIMITED WARRANTY GIVES YOU SPECIFIC LEGAL RIGHTS, AND YOU MAY ALSO HAVE OTHER RIGHTS WHICH VARY FROM STATE TO STATE IN THE U.S., PROVINCE TO PROVINCE IN CANADA AND FROM COUNTRY TO COUNTRY.

THIS LIMITED WARRANTY APPLIES ONLY TO PORTABLE AND BENCHTOP ELECTRIC TOOLS SOLD WITHIN THE UNITED STATES OF AMERICA, CANADA AND THE COMMONWEALTH OF PUERTO RICO. FOR WARRANTY COVERAGE WITHIN OTHER COUNTRIES, CONTACT YOUR LOCAL BOSCH DEALER OR IMPORTER.