

## System Check\_Head\_2450MHz

### DUT: D2450V2-736

Communication System: CW; Frequency: 2450 MHz; Duty Cycle: 1:1

Medium: HSL\_2450\_220109 Medium parameters used :  $f = 2450$  MHz;  $\sigma = 1.814$  S/m;  $\epsilon_r = 38.152$ ;  $\rho = 1000$  kg/m<sup>3</sup>

Ambient Temperature : 23.5 °C ; Liquid Temperature : 22.5 °C

DASY5 Configuration:

- Probe: EX3DV4 - SN7439; ConvF(7.52, 7.52, 7.52) @ 2450 MHz; Calibrated: 2021/2/23
- Sensor-Surface: 1.4mm (Mechanical Surface Detection)
- Electronics: DAE4 Sn854; Calibrated: 2021/8/19
- Phantom: ELI v4.0; Type: QDOVA001BB; Serial: 1026
- Measurement SW: DASY52, Version 52.10 (4); SEMCAD X Version 14.6.14 (7483)

**Pin=50mW/Area Scan (71x71x1):** Interpolated grid: dx=1.200 mm, dy=1.200 mm

Maximum value of SAR (interpolated) = 4.38 W/kg

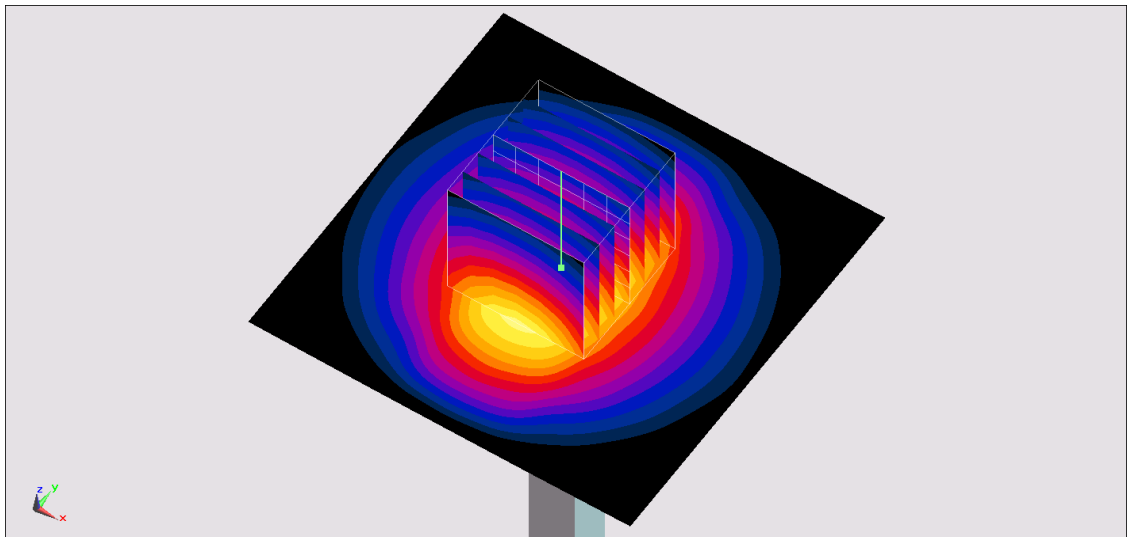
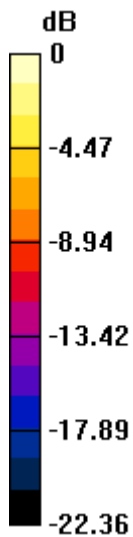
**Pin=50mW/Zoom Scan (7x7x7)/Cube 0:** Measurement grid: dx=5mm, dy=5mm, dz=5mm

Reference Value = 50.80 V/m; Power Drift = 0.06 dB

Peak SAR (extrapolated) = 5.41 W/kg

**SAR(1 g) = 2.59 W/kg; SAR(10 g) = 1.21 W/kg**

Maximum value of SAR (measured) = 4.35 W/kg



## System Check\_Head\_2450MHz

### DUT: D2450V2-736

Communication System: CW; Frequency: 2450 MHz; Duty Cycle: 1:1

Medium: HSL\_2450\_220118 Medium parameters used :  $f = 2450$  MHz;  $\sigma = 1.8$  S/m;  $\epsilon_r = 38.252$ ;  $\rho = 1000$  kg/m<sup>3</sup>

Ambient Temperature : 23.3 °C ; Liquid Temperature : 22.3 °C

DASY5 Configuration:

- Probe: EX3DV4 - SN3925; ConvF(7.93, 7.93, 7.93) @ 2450 MHz; Calibrated: 2021/4/23
- Sensor-Surface: 1.4mm (Mechanical Surface Detection)
- Electronics: DAE4 Sn854; Calibrated: 2021/8/19
- Phantom: ELI v4.0; Type: QDOVA001BB; Serial: 1026
- Measurement SW: DASY52, Version 52.10 (4); SEMCAD X Version 14.6.14 (7483)

**Pin=50mW/Area Scan (71x71x1):** Interpolated grid: dx=1.200 mm, dy=1.200 mm

Maximum value of SAR (interpolated) = 4.10 W/kg

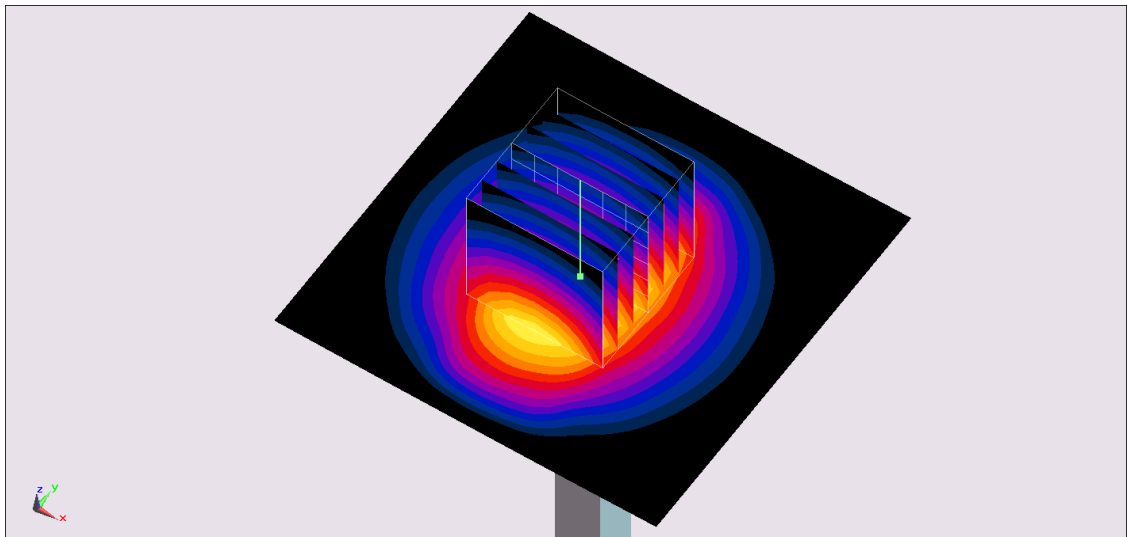
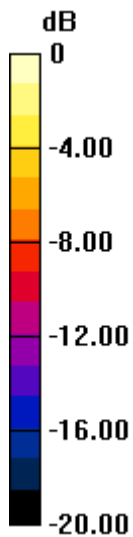
**Pin=50mW/Zoom Scan (7x7x7)/Cube 0:** Measurement grid: dx=5mm, dy=5mm, dz=5mm

Reference Value = 49.38 V/m; Power Drift = -0.00 dB

Peak SAR (extrapolated) = 5.16 W/kg

**SAR(1 g) = 2.45 W/kg; SAR(10 g) = 1.14 W/kg**

Maximum value of SAR (measured) = 4.14 W/kg



0 dB = 4.14 W/kg = 6.17 dBW/kg

## System Check\_Head\_5250MHz

### DUT: D5GHzV2-1006

Communication System: CW; Frequency: 5250 MHz; Duty Cycle: 1:1

Medium: HSL\_5G\_220109 Medium parameters used :  $f = 5250$  MHz;  $\sigma = 4.538$  S/m;  $\epsilon_r = 36.239$ ;  $\rho = 1000$  kg/m<sup>3</sup>

Ambient Temperature : 23.5 °C; Liquid Temperature : 22.5 °C

DASY5 Configuration:

- Probe: EX3DV4 - SN7439; ConvF(5.23, 5.23, 5.23) @ 5250 MHz; Calibrated: 2021/2/23
- Sensor-Surface: 1.4mm (Mechanical Surface Detection)
- Electronics: DAE4 Sn854; Calibrated: 2021/8/19
- Phantom: ELI v4.0; Type: QDOVA001BB; Serial: 1026
- Measurement SW: DASY52, Version 52.10 (4); SEMCAD X Version 14.6.14 (7483)

**Pin=50mW/Area Scan (71x71x1):** Interpolated grid: dx=1.000 mm, dy=1.000 mm

Maximum value of SAR (interpolated) = 9.47 W/kg

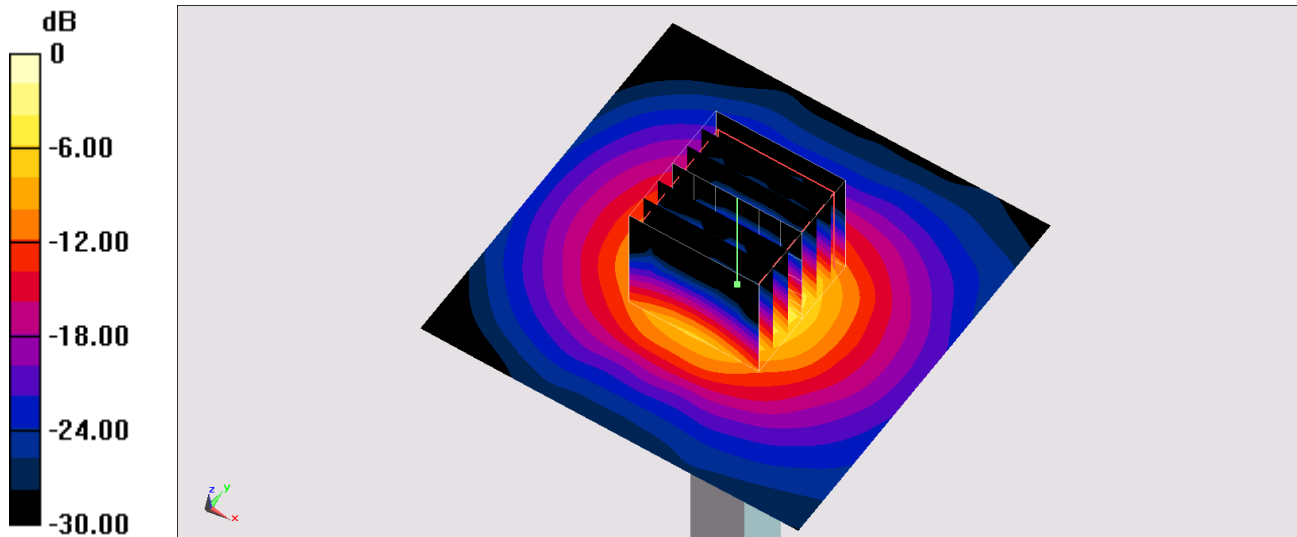
**Pin=50mW/Zoom Scan (7x7x7)/Cube 0:** Measurement grid: dx=4mm, dy=4mm, dz=1.4mm

Reference Value = 51.18 V/m; Power Drift = -0.12 dB

Peak SAR (extrapolated) = 16.1 W/kg

**SAR(1 g) = 3.99 W/kg; SAR(10 g) = 1.14 W/kg**

Maximum value of SAR (measured) = 10.1 W/kg



0 dB = 10.1 W/kg = 10.04 dBW/kg

## System Check\_Head\_5600MHz

### DUT: D5GHzV2-1006

Communication System: CW; Frequency: 5600 MHz; Duty Cycle: 1:1

Medium: HSL\_5G\_220109 Medium parameters used:  $f = 5600$  MHz;  $\sigma = 4.873$  S/m;  $\epsilon_r = 35.67$ ;  $\rho = 1000$  kg/m<sup>3</sup>

Ambient Temperature : 23.5 °C ; Liquid Temperature : 22.5 °C

DASY5 Configuration:

- Probe: EX3DV4 - SN7439; ConvF(4.59, 4.59, 4.59) @ 5600 MHz; Calibrated: 2021/2/23
- Sensor-Surface: 1.4mm (Mechanical Surface Detection)
- Electronics: DAE4 Sn854; Calibrated: 2021/8/19
- Phantom: ELI v4.0; Type: QDOVA001BB; Serial: 1026
- Measurement SW: DASY52, Version 52.10 (4); SEMCAD X Version 14.6.14 (7483)

**Pin=50mW/Area Scan (71x71x1):** Interpolated grid: dx=1.000 mm, dy=1.000 mm

Maximum value of SAR (interpolated) = 10.7 W/kg

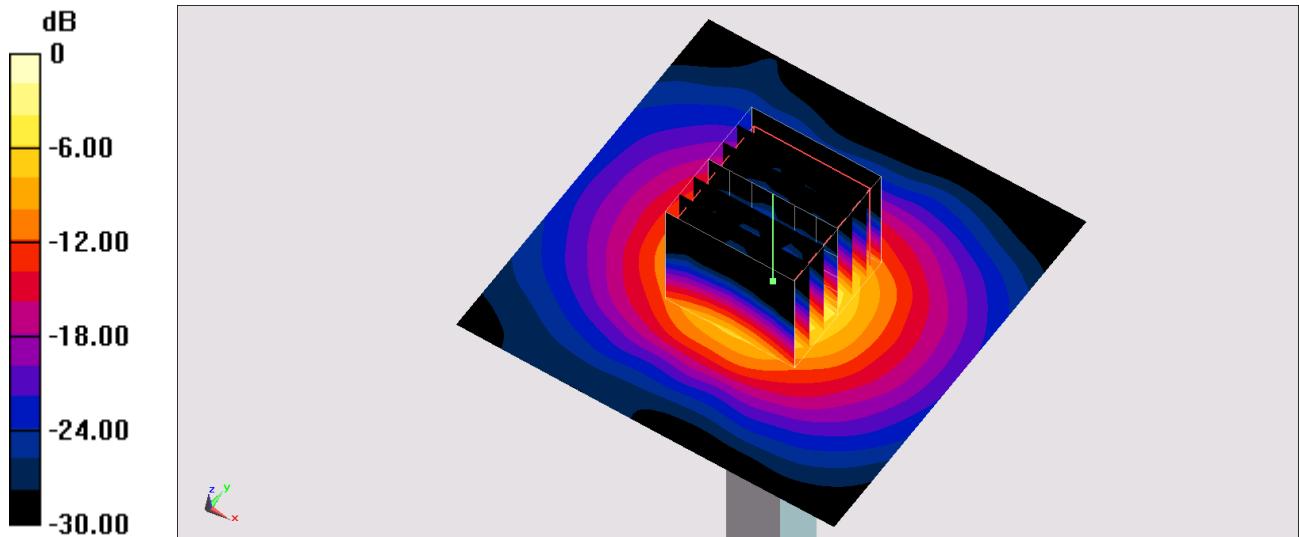
**Pin=50mW/Zoom Scan (7x7x7)/Cube 0:** Measurement grid: dx=4mm, dy=4mm, dz=1.4mm

Reference Value = 52.31 V/m; Power Drift = -0.13 dB

Peak SAR (extrapolated) = 19.1 W/kg

**SAR(1 g) = 4.38 W/kg; SAR(10 g) = 1.24 W/kg**

Maximum value of SAR (measured) = 11.4 W/kg



## System Check\_Head\_5750MHz

### DUT: D5GHzV2-1006

Communication System: CW; Frequency: 5750 MHz; Duty Cycle: 1:1

Medium: HSL\_5G\_220110 Medium parameters used:  $f = 5750$  MHz;  $\sigma = 5.053$  S/m;  $\epsilon_r = 35.67$ ;  $\rho = 1000$  kg/m<sup>3</sup>

Ambient Temperature : 23.5 °C ; Liquid Temperature : 22.5 °C

DASY5 Configuration:

- Probe: EX3DV4 - SN7439; ConvF(4.81, 4.81, 4.81) @ 5750 MHz; Calibrated: 2021/2/23
- Sensor-Surface: 1.4mm (Mechanical Surface Detection)
- Electronics: DAE4 Sn854; Calibrated: 2021/8/19
- Phantom: ELI v4.0; Type: QDOVA001BB; Serial: 1026
- Measurement SW: DASY52, Version 52.10 (4); SEMCAD X Version 14.6.14 (7483)

**Pin=50mW/Area Scan (71x71x1):** Interpolated grid: dx=1.000 mm, dy=1.000 mm

Maximum value of SAR (interpolated) = 9.25 W/kg

**Pin=50mW/Zoom Scan (7x7x7)/Cube 0:** Measurement grid: dx=4mm, dy=4mm, dz=1.4mm

Reference Value = 47.60 V/m; Power Drift = -0.11 dB

Peak SAR (extrapolated) = 17.1 W/kg

**SAR(1 g) = 3.77 W/kg; SAR(10 g) = 1.07 W/kg**

Maximum value of SAR (measured) = 9.99 W/kg

