

# FCC SAR Test Report

**Report No.** : SA180227C17  
**Applicant** : HP Inc.  
**Address** : 1501 Page Mill Road Palo Alto, CA 94304  
**Product** : Notebook PC  
**FCC ID** : TX2-RTL8822BE  
**Brand** : HP  
**Model No.** : TPN-W124  
**Standards** : FCC 47 CFR Part 2 (2.1093), IEEE C95.1:1992, IEEE Std 1528:2013  
 KDB 865664 D01 v01r04, KDB 865664 D02 v01r02  
 KDB 248227 D01 v02r02, KDB 447498 D01 v06, KDB 616217 D04 v01r02  
**Sample Received Date** : Feb. 27, 2018  
**Date of Testing** : Mar. 12, 2018 ~ Mar. 28, 2018  
**Lab Address** : No. 47-2, 14th Ling, Chia Pau Vil., Lin Kou Dist., New Taipei City, Taiwan, R.O.C.  
**Test Location** : No. 19, Hwa Ya 2nd Rd, Wen Hwa Vil, Kwei Shan Dist., Taoyuan City 33383, Taiwan (R.O.C)

**CERTIFICATION:** The above equipment have been tested by **Bureau Veritas Consumer Products Services (H.K.) Ltd., Taoyuan Branch – Lin Kou Laboratories**, and found compliance with the requirement of the above standards. The test record, data evaluation & Equipment Under Test (EUT) configurations represented herein are true and accurate accounts of the measurements of the sample's SAR characteristics under the conditions specified in this report. It should not be reproduced except in full, without the written approval of our laboratory. The client should not use it to claim product certification, approval, or endorsement by TAF or any government agencies.

**Prepared By :**   
 Vera Huang / Specialist  
**Approved By :**   
 Eli Hsu / Senior Engineer



This report is for your exclusive use. Any copying or replication of this report to or for any other person or entity, or use of our name or trademark, is permitted only with our prior written permission. This report sets forth our findings solely with respect to the test samples identified herein. The results set forth in this report are not indicative or representative of the quality or characteristics of the lot from which a test sample was taken or any similar or identical product unless specifically and expressly noted. Our report includes all of the tests requested by you and the results thereof based upon the information that you provided to us. You have 60 days from date of issuance of this report to notify us of any material error or omission caused by our negligence, provided, however, that such notice shall be in writing and shall specifically address the issue you wish to raise. A failure to raise such issue within the prescribed time shall constitute your unqualified acceptance of the completeness of this report, the tests conducted and the correctness of the report contents. Unless specific mention, the uncertainty of measurement has been explicitly taken into account to declare the compliance or non-compliance to the specification.

## Table of Contents

<b>Release Control Record .....</b>	<b>3</b>
<b>1. Summary of Maximum SAR Value .....</b>	<b>4</b>
<b>2. Description of Equipment Under Test .....</b>	<b>5</b>
<b>3. SAR Measurement System .....</b>	<b>6</b>
3.1 Definition of Specific Absorption Rate (SAR) .....	6
3.2 SPEAG DASY52 System .....	6
3.2.1 Robot.....	7
3.2.2 Probes.....	8
3.2.3 Data Acquisition Electronics (DAE) .....	9
3.2.4 Phantoms .....	9
3.2.5 Device Holder.....	10
3.2.6 System Validation Dipoles.....	10
3.2.7 Tissue Simulating Liquids.....	11
3.3 SAR System Verification .....	14
3.4 SAR Measurement Procedure .....	15
3.4.1 Area & Zoom Scan Procedure .....	15
3.4.2 Volume Scan Procedure.....	15
3.4.3 Power Drift Monitoring.....	16
3.4.4 Spatial Peak SAR Evaluation .....	16
3.4.5 SAR Averaged Methods .....	16
<b>4. SAR Measurement Evaluation .....</b>	<b>17</b>
4.1 EUT Configuration and Setting.....	17
4.2 EUT Testing Position .....	19
4.2.1 Body Exposure Conditions .....	19
4.2.1 SAR Test Exclusion Evaluations .....	21
4.3 Tissue Verification .....	22
4.4 System Validation.....	22
4.5 System Verification.....	23
4.6 Maximum Output Power.....	23
4.6.1 Maximum Target Conducted Power .....	23
4.6.2 Measured Conducted Power Result.....	25
4.7 SAR Testing Results .....	27
4.7.1 SAR Test Reduction Considerations .....	27
4.7.2 SAR Results for Body Exposure Condition (Test Separation Distance is 0 mm) .....	28
4.7.3 SAR Measurement Variability.....	30
4.7.4 Simultaneous Multi-band Transmission Evaluation .....	31
<b>5. Calibration of Test Equipment.....</b>	<b>33</b>
<b>6. Measurement Uncertainty.....</b>	<b>34</b>
<b>7. Information on the Testing Laboratories.....</b>	<b>36</b>
<b>Appendix A. SAR Plots of System Verification</b>	
<b>Appendix B. SAR Plots of SAR Measurement</b>	
<b>Appendix C. Calibration Certificate for Probe and Dipole</b>	
<b>Appendix D. Photographs of EUT and Setup</b>	

## Release Control Record

Report No.	Reason for Change	Date Issued
SA180227C17	Initial release	Mar. 30, 2018

## 1. Summary of Maximum SAR Value

Equipment Class	Mode	Tablet PC Mode
		Highest SAR-1g Body Tested at 0 mm (W/kg)
DTS	2.4G WLAN	0.50
NII	5G WLAN	1.17
DSS	Bluetooth	0.02
Highest Simultaneous Transmission SAR		Body
		0.70

**Note:**

1. The SAR criteria (**Head & Body: SAR-1g 1.6 W/kg, and Extremity: SAR-10g 4.0 W/kg**) for general population / uncontrolled exposure is specified in FCC 47 CFR part 2 (2.1093) and ANSI/IEEE C95.1-1992.

# FCC SAR Test Report

## 2. Description of Equipment Under Test

<b>EUT Type</b>	Notebook PC
<b>FCC ID</b>	TX2-RTL8822BE
<b>Brand Name</b>	HP
<b>Model Name</b>	TPN-W124
<b>Tx Frequency Bands (Unit: MHz)</b>	WLAN : 2412 ~ 2472, 5180 ~ 5240, 5260 ~ 5320, 5500 ~ 5720, 5745 ~ 5825 Bluetooth : 2402 ~ 2480
<b>Uplink Modulations</b>	802.11b : DSSS 802.11a/g/n : OFDM Bluetooth : GFSK, $\pi/4$ -DQPSK, 8-DPSK
<b>Maximum Tune-up Conducted Power (Unit: dBm)</b>	Please refer to section 4.6.1 of this report
<b>Antenna Type</b>	Refer to Note as below
<b>EUT Stage</b>	Production Unit

**Note:**

1. The WLAN/BT module (Brand: Realtek, Model: RTL8822BE) is installed in this EUT.
2. The antenna information is listed as below.

Antenna Type	Manufacturer	Parts Number	Antenna Gain			
			WLAN 2.4 GHz / Bluetooth	WLAN 5.15~5.35 GHz	WLAN 5.47~5.725 GHz	WLAN 5.725~5.875 GHz
<b>Laptop PC Mode</b>						
PIFA	WNC	Main Ant.: 025.9012L.0001 (81EAA415.G67) Aux Ant.: 025.9012K.0001 (81EAA415.G68)	2.55	-0.55	1.04	1.04
<b>Tablet PC Mode</b>						
PIFA	WNC	Main Ant.: 025.9012L.0001 (81EAA415.G67) Aux Ant.: 025.9012K.0001 (81EAA415.G68)	0.19	-0.29	0.67	0.67

3. The above EUT information is declared by manufacturer and for more detailed features description please refers to the manufacturer's specifications or User's Manual.

### **3. SAR Measurement System**

#### **3.1 Definition of Specific Absorption Rate (SAR)**

SAR is related to the rate at which energy is absorbed per unit mass in an object exposed to a radio field. The SAR distribution in a biological body is complicated and is usually carried out by experimental techniques or numerical modeling. The standard recommends limits for two tiers of groups, occupational/controlled and general population/uncontrolled, based on a person's awareness and ability to exercise control over his or her exposure. In general, occupational/controlled exposure limits are higher than the limits for general population/uncontrolled.

The SAR definition is the time derivative (rate) of the incremental energy (dW) absorbed by (dissipated in) an incremental mass (dm) contained in a volume element (dv) of a given density ( $\rho$ ). The equation description is as below:

$$\text{SAR} = \frac{d}{dt} \left( \frac{dW}{dm} \right) = \frac{d}{dt} \left( \frac{dW}{\rho dv} \right)$$

SAR is expressed in units of Watts per kilogram (W/kg)

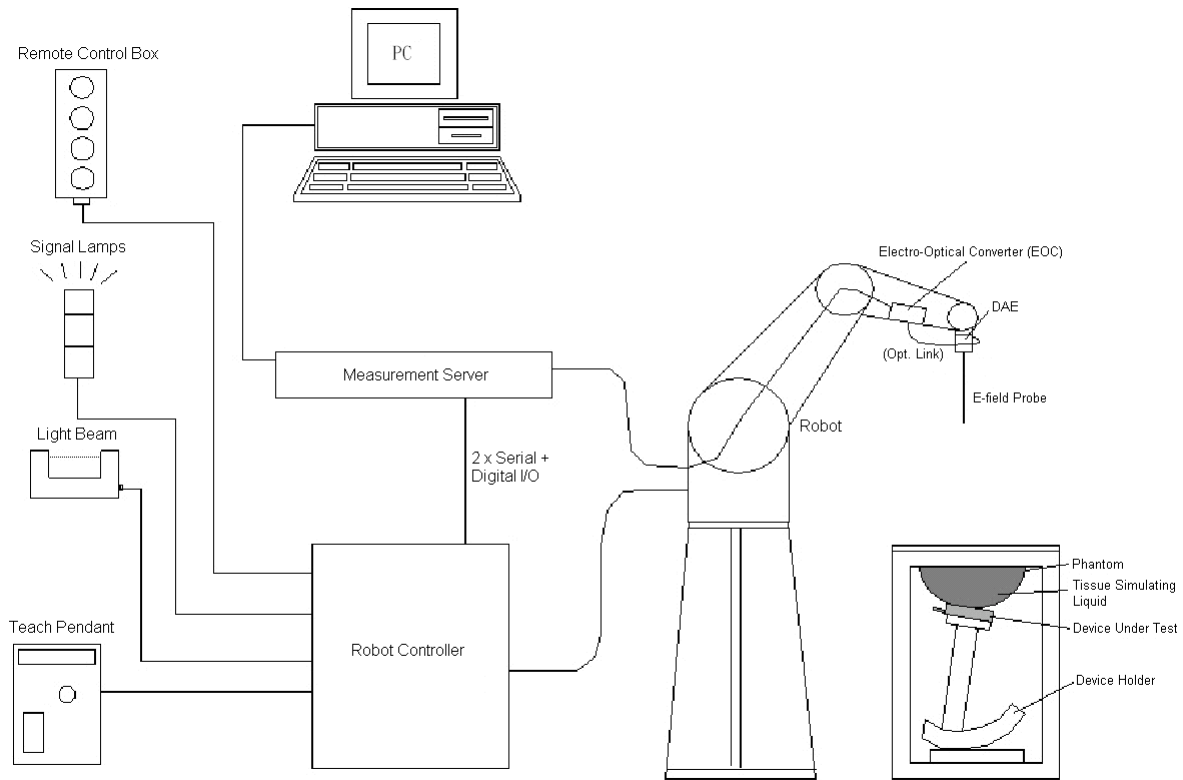
SAR measurement can be related to the electrical field in the tissue by

$$\text{SAR} = \frac{\sigma |E|^2}{\rho}$$

Where:  $\sigma$  is the conductivity of the tissue,  $\rho$  is the mass density of the tissue and E is the RMS electrical field strength.

#### **3.2 SPEAG DASY52 System**

DASY52 system consists of high precision robot, probe alignment sensor, phantom, robot controller, controlled measurement server and near-field probe. The robot includes six axes that can move to the precision position of the DASY52 software defined. The DASY52 software can define the area that is detected by the probe. The robot is connected to controlled box. Controlled measurement server is connected to the controlled robot box. The DAE includes amplifier, signal multiplexing, AD converter, offset measurement and surface detection. It is connected to the Electro-optical coupler (ECO). The ECO performs the conversion from the optical into digital electric signal of the DAE and transfers data to the PC.



**Fig-3.1 SPEAG DASY52 System Setup**

**3.2.1 Robot**

The DASY52 system uses the high precision robots from Stäubli SA (France). For the 6-axis controller system, the robot controller version of CS8c from Stäubli is used. The Stäubli robot series have many features that are important for our application:

- High precision (repeatability  $\pm 0.035$  mm)
- High reliability (industrial design)
- Jerk-free straight movements
- Low ELF interference (the closed metallic construction shields against motor control fields)





**Fig-3.2 SPEAG DASY52 System**


## FCC SAR Test Report

### 3.2.2 Probes

The SAR measurement is conducted with the dosimetric probe. The probe is specially designed and calibrated for use in liquid with high permittivity. The dosimetric probe has special calibration in liquid at different frequency.

<b>Model</b>	EX3DV4	
<b>Construction</b>	Symmetrical design with triangular core. Built-in shielding against static charges. PEEK enclosure material (resistant to organic solvents, e.g., DGBE).	
<b>Frequency</b>	10 MHz to 6 GHz Linearity: $\pm 0.2$ dB	
<b>Directivity</b>	$\pm 0.3$ dB in HSL (rotation around probe axis) $\pm 0.5$ dB in tissue material (rotation normal to probe axis)	
<b>Dynamic Range</b>	10 $\mu$ W/g to 100 mW/g Linearity: $\pm 0.2$ dB (noise: typically $< 1$ $\mu$ W/g)	
<b>Dimensions</b>	Overall length: 337 mm (Tip: 20 mm) Tip diameter: 2.5 mm (Body: 12 mm) Typical distance from probe tip to dipole centers: 1 mm	


<b>Model</b>	ES3DV3	
<b>Construction</b>	Symmetrical design with triangular core. Interleaved sensors. Built-in shielding against static charges. PEEK enclosure material (resistant to organic solvents, e.g., DGBE).	
<b>Frequency</b>	10 MHz to 4 GHz Linearity: $\pm 0.2$ dB	
<b>Directivity</b>	$\pm 0.2$ dB in HSL (rotation around probe axis) $\pm 0.3$ dB in tissue material (rotation normal to probe axis)	
<b>Dynamic Range</b>	5 $\mu$ W/g to 100 mW/g Linearity: $\pm 0.2$ dB	
<b>Dimensions</b>	Overall length: 337 mm (Tip: 20 mm) Tip diameter: 3.9 mm (Body: 12 mm) Distance from probe tip to dipole centers: 2.0 mm	

<b>Model</b>	ET3DV6	
<b>Construction</b>	Symmetrical design with triangular core Built-in optical fiber for surface detection system. Built-in shielding against static charges. PEEK enclosure material (resistant to organic solvents, e.g., DGBE)	
<b>Frequency</b>	10 MHz to 2.3 GHz; Linearity: $\pm 0.2$ dB	
<b>Directivity</b>	$\pm 0.2$ dB in TSL (rotation around probe axis) $\pm 0.4$ dB in TSL (rotation normal to probe axis)	
<b>Dynamic Range</b>	5 $\mu$ W/g to 100 mW/g; Linearity: $\pm 0.2$ dB	
<b>Dimensions</b>	Overall length: 337 mm (Tip: 16 mm) Tip diameter: 6.8 mm (Body: 12 mm) Distance from probe tip to dipole centers: 2.7 mm	





# FCC SAR Test Report

## 3.2.3 Data Acquisition Electronics (DAE)

<b>Model</b>	DAE3, DAE4	
<b>Construction</b>	Signal amplifier, multiplexer, A/D converter and control logic. Serial optical link for communication with DASY embedded system (fully remote controlled). Two step probe touch detector for mechanical surface detection and emergency robot stop.	
<b>Measurement Range</b>	-100 to +300 mV (16 bit resolution and two range settings: 4mV, 400mV)	
<b>Input Offset Voltage</b>	< 5µV (with auto zero)	
<b>Input Bias Current</b>	< 50 fA	
<b>Dimensions</b>	60 x 60 x 68 mm	


## 3.2.4 Phantoms


<b>Model</b>	Twin SAM	
<b>Construction</b>	The shell corresponds to the specifications of the Specific Anthropomorphic Mannequin (SAM) phantom defined in IEEE 1528 and IEC 62209-1. It enables the dosimetric evaluation of left and right hand phone usage as well as body mounted usage at the flat phantom region. A cover prevents evaporation of the liquid. Reference markings on the phantom allow the complete setup of all predefined phantom positions and measurement grids by teaching three points with the robot.	
<b>Material</b>	Vinylester, glass fiber reinforced (VE-GF)	
<b>Shell Thickness</b>	2 ± 0.2 mm (6 ± 0.2 mm at ear point)	
<b>Dimensions</b>	Length: 1000 mm Width: 500 mm Height: adjustable feet	
<b>Filling Volume</b>	approx. 25 liters	

<b>Model</b>	ELI	
<b>Construction</b>	Phantom for compliance testing of handheld and body-mounted wireless devices in the frequency range of 30 MHz to 6 GHz. ELI is fully compatible with the IEC 62209-2 standard and all known tissue simulating liquids. ELI has been optimized regarding its performance and can be integrated into our standard phantom tables. A cover prevents evaporation of the liquid. Reference markings on the phantom allow installation of the complete setup, including all predefined phantom positions and measurement grids, by teaching three points. The phantom is compatible with all SPEAG dosimetric probes and dipoles.	
<b>Material</b>	Vinylester, glass fiber reinforced (VE-GF)	
<b>Shell Thickness</b>	2.0 ± 0.2 mm (bottom plate)	
<b>Dimensions</b>	Major axis: 600 mm Minor axis: 400 mm	
<b>Filling Volume</b>	approx. 30 liters	


## FCC SAR Test Report

### 3.2.5 Device Holder

<b>Model</b>	Mounting Device	
<b>Construction</b>	In combination with the Twin SAM Phantom or ELI4, the Mounting Device enables the rotation of the mounted transmitter device in spherical coordinates. Rotation point is the ear opening point. Transmitter devices can be easily and accurately positioned according to IEC, IEEE, FCC or other specifications. The device holder can be locked for positioning at different phantom sections (left head, right head, flat).	
<b>Material</b>	POM	

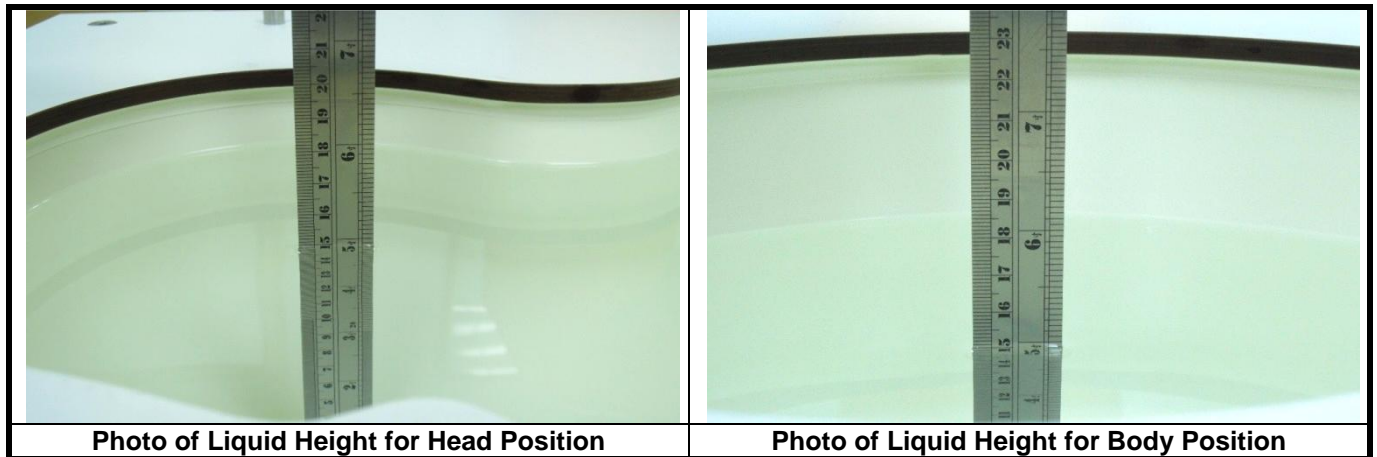
<b>Model</b>	Laptop Extensions Kit	
<b>Construction</b>	Simple but effective and easy-to-use extension for Mounting Device that facilitates the testing of larger devices according to IEC 62209-2 (e.g., laptops, cameras, etc.). It is lightweight and fits easily on the upper part of the Mounting Device in place of the phone positioner.	
<b>Material</b>	POM, Acrylic glass, Foam	

### 3.2.6 System Validation Dipoles

<b>Model</b>	D-Serial	
<b>Construction</b>	Symmetrical dipole with 1/4 balun. Enables measurement of feed point impedance with NWA. Matched for use near flat phantoms filled with tissue simulating solutions.	
<b>Frequency</b>	750 MHz to 5800 MHz	
<b>Return Loss</b>	> 20 dB	
<b>Power Capability</b>	> 100 W (f < 1GHz), > 40 W (f > 1GHz)	

**3.2.7 Tissue Simulating Liquids**

For SAR measurement of the field distribution inside the phantom, the phantom must be filled with homogeneous tissue simulating liquid to a depth of at least 15 cm. For head SAR testing, the liquid height from the ear reference point (ERP) of the phantom to the liquid top surface is larger than 15 cm. For body SAR testing, the liquid height from the center of the flat phantom to the liquid top surface is larger than 15 cm. The nominal dielectric values of the tissue simulating liquids in the phantom and the tolerance of 5% are listed in Table-3.1.



The dielectric properties of the head tissue simulating liquids are defined in IEEE 1528, and KDB 865664 D01 Appendix A. For the body tissue simulating liquids, the dielectric properties are defined in KDB 865664 D01 Appendix A. The dielectric properties of the tissue simulating liquids were verified prior to the SAR evaluation using a dielectric assessment kit and a network analyzer.

**Table-3.1 Targets of Tissue Simulating Liquid**

Frequency (MHz)	Target Permittivity	Range of $\pm 5\%$	Target Conductivity	Range of $\pm 5\%$
<b>For Head</b>				
750	41.9	39.8 ~ 44.0	0.89	0.85 ~ 0.93
835	41.5	39.4 ~ 43.6	0.90	0.86 ~ 0.95
900	41.5	39.4 ~ 43.6	0.97	0.92 ~ 1.02
1450	40.5	38.5 ~ 42.5	1.20	1.14 ~ 1.26
1640	40.3	38.3 ~ 42.3	1.29	1.23 ~ 1.35
1750	40.1	38.1 ~ 42.1	1.37	1.30 ~ 1.44
1800	40.0	38.0 ~ 42.0	1.40	1.33 ~ 1.47
1900	40.0	38.0 ~ 42.0	1.40	1.33 ~ 1.47
2000	40.0	38.0 ~ 42.0	1.40	1.33 ~ 1.47
2300	39.5	37.5 ~ 41.5	1.67	1.59 ~ 1.75
2450	39.2	37.2 ~ 41.2	1.80	1.71 ~ 1.89
2600	39.0	37.1 ~ 41.0	1.96	1.86 ~ 2.06
3500	37.9	36.0 ~ 39.8	2.91	2.76 ~ 3.06
5200	36.0	34.2 ~ 37.8	4.66	4.43 ~ 4.89
5300	35.9	34.1 ~ 37.7	4.76	4.52 ~ 5.00
5500	35.6	33.8 ~ 37.4	4.96	4.71 ~ 5.21
5600	35.5	33.7 ~ 37.3	5.07	4.82 ~ 5.32
5800	35.3	33.5 ~ 37.1	5.27	5.01 ~ 5.53
<b>For Body</b>				
750	55.5	52.7 ~ 58.3	0.96	0.91 ~ 1.01
835	55.2	52.4 ~ 58.0	0.97	0.92 ~ 1.02
900	55.0	52.3 ~ 57.8	1.05	1.00 ~ 1.10
1450	54.0	51.3 ~ 56.7	1.30	1.24 ~ 1.37
1640	53.8	51.1 ~ 56.5	1.40	1.33 ~ 1.47
1750	53.4	50.7 ~ 56.1	1.49	1.42 ~ 1.56
1800	53.3	50.6 ~ 56.0	1.52	1.44 ~ 1.60
1900	53.3	50.6 ~ 56.0	1.52	1.44 ~ 1.60
2000	53.3	50.6 ~ 56.0	1.52	1.44 ~ 1.60
2300	52.9	50.3 ~ 55.5	1.81	1.72 ~ 1.90
2450	52.7	50.1 ~ 55.3	1.95	1.85 ~ 2.05
2600	52.5	49.9 ~ 55.1	2.16	2.05 ~ 2.27
3500	51.3	48.7 ~ 53.9	3.31	3.14 ~ 3.48
5200	49.0	46.6 ~ 51.5	5.30	5.04 ~ 5.57
5300	48.9	46.5 ~ 51.3	5.42	5.15 ~ 5.69
5500	48.6	46.2 ~ 51.0	5.65	5.37 ~ 5.93
5600	48.5	46.1 ~ 50.9	5.77	5.48 ~ 6.06
5800	48.2	45.8 ~ 50.6	6.00	5.70 ~ 6.30

## FCC SAR Test Report

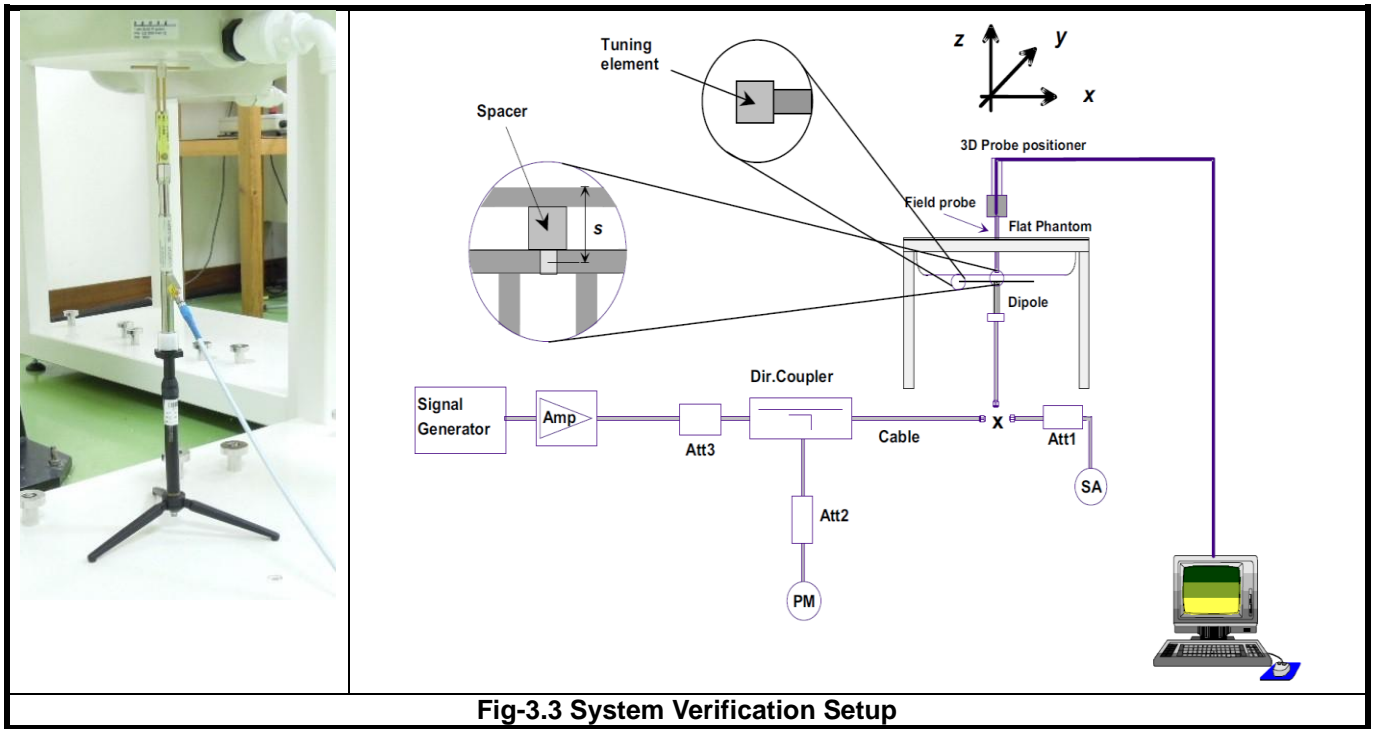
The following table gives the recipes for tissue simulating liquids.

**Table-3.2 Recipes of Tissue Simulating Liquid**

Tissue Type	Bactericide	DGBE	HEC	NaCl	Sucrose	Triton X-100	Water	Diethylene Glycol Mono-hexylether
H750	0.2	-	0.2	1.5	56.0	-	42.1	-
H835	0.2	-	0.2	1.5	57.0	-	41.1	-
H900	0.2	-	0.2	1.4	58.0	-	40.2	-
H1450	-	43.3	-	0.6	-	-	56.1	-
H1640	-	45.8	-	0.5	-	-	53.7	-
H1750	-	47.0	-	0.4	-	-	52.6	-
H1800	-	44.5	-	0.3	-	-	55.2	-
H1900	-	44.5	-	0.2	-	-	55.3	-
H2000	-	44.5	-	0.1	-	-	55.4	-
H2300	-	44.9	-	0.1	-	-	55.0	-
H2450	-	45.0	-	0.1	-	-	54.9	-
H2600	-	45.1	-	0.1	-	-	54.8	-
H3500	-	8.0	-	0.2	-	20.0	71.8	-
H5G	-	-	-	-	-	17.2	65.5	17.3
B750	0.2	-	0.2	0.8	48.8	-	50.0	-
B835	0.2	-	0.2	0.9	48.5	-	50.2	-
B900	0.2	-	0.2	0.9	48.2	-	50.5	-
B1450	-	34.0	-	0.3	-	-	65.7	-
B1640	-	32.5	-	0.3	-	-	67.2	-
B1750	-	31.0	-	0.2	-	-	68.8	-
B1800	-	29.5	-	0.4	-	-	70.1	-
B1900	-	29.5	-	0.3	-	-	70.2	-
B2000	-	30.0	-	0.2	-	-	69.8	-
B2300	-	31.0	-	0.1	-	-	68.9	-
B2450	-	31.4	-	0.1	-	-	68.5	-
B2600	-	31.8	-	0.1	-	-	68.1	-
B3500	-	28.8	-	0.1	-	-	71.1	-
B5G	-	-	-	-	-	10.7	78.6	10.7

**3.3 SAR System Verification**

The system check verifies that the system operates within its specifications. It is performed daily or before every SAR measurement. The system check uses normal SAR measurements in the flat section of the phantom with a matched dipole at a specified distance. The system verification setup is shown as below.



**Fig-3.3 System Verification Setup**

The validation dipole is placed beneath the flat phantom with the specific spacer in place. The distance spacer is touch the phantom surface with a light pressure at the reference marking and be oriented parallel to the long side of the phantom. The spectrum analyzer measures the forward power at the location of the system check dipole connector. The signal generator is adjusted for the desired forward power (250 mW is used for 700 MHz to 3 GHz, 100 mW is used for 3.5 GHz to 6 GHz) at the dipole connector and the power meter is read at that level. After connecting the cable to the dipole, the signal generator is readjusted for the same reading at power meter.

After system check testing, the SAR result will be normalized to 1W forward input power and compared with the reference SAR value derived from validation dipole certificate report. The deviation of system check should be within 10 %.

**3.4 SAR Measurement Procedure**

According to the SAR test standard, the recommended procedure for assessing the peak spatial-average SAR value consists of the following steps:

- (a) Power reference measurement
- (b) Area scan
- (c) Zoom scan
- (d) Power drift measurement

The SAR measurement procedures for each of test conditions are as follows:

- (a) Make EUT to transmit maximum output power
- (b) Measure conducted output power through RF cable
- (c) Place the EUT in the specific position of phantom
- (d) Perform SAR testing steps on the DASY system
- (e) Record the SAR value

**3.4.1 Area & Zoom Scan Procedure**

First Area Scan is used to locate the approximate location(s) of the local peak SAR value(s). The measurement grid within an Area Scan is defined by the grid extent, grid step size and grid offset. Next, in order to determine the EM field distribution in a three-dimensional spatial extension, Zoom Scan is required. The Zoom Scan is performed around the highest E-field value to determine the averaged SAR-distribution over 10 g. According to KDB 865664 D01, the resolution for Area and Zoom scan is specified in the table below.

Items	<= 2 GHz	2-3 GHz	3-4 GHz	4-5 GHz	5-6 GHz
Area Scan ( $\Delta x, \Delta y$ )	<= 15 mm	<= 12 mm	<= 12 mm	<= 10 mm	<= 10 mm
Zoom Scan ( $\Delta x, \Delta y$ )	<= 8 mm	<= 5 mm	<= 5 mm	<= 4 mm	<= 4 mm
Zoom Scan ( $\Delta z$ )	<= 5 mm	<= 5 mm	<= 4 mm	<= 3 mm	<= 2 mm
Zoom Scan Volume	>= 30 mm	>= 30 mm	>= 28 mm	>= 25 mm	>= 22 mm

**Note:**

When zoom scan is required and report SAR is <= 1.4 W/kg, the zoom scan resolution of  $\Delta x / \Delta y$  (2-3GHz: <= 8 mm, 3-4GHz: <= 7 mm, 4-6GHz: <= 5 mm) may be applied.

**3.4.2 Volume Scan Procedure**

The volume scan is used for assess overlapping SAR distributions for antennas transmitting in different frequency bands. It is equivalent to an oversized zoom scan used in standalone measurements. The measurement volume will be used to enclose all the simultaneous transmitting antennas. For antennas transmitting simultaneously in different frequency bands, the volume scan is measured separately in each frequency band. In order to sum correctly to compute the 1g aggregate SAR, the EUT remain in the same test position for all measurements and all volume scan use the same spatial resolution and grid spacing. When all volume scan were completed, the software, SEMCAD postprocessor can combine and subsequently superpose these measurement data to calculating the multiband SAR.

### 3.4.3 Power Drift Monitoring

All SAR testing is under the EUT install full charged battery and transmit maximum output power. In DASYS measurement software, the power reference measurement and power drift measurement procedures are used for monitoring the power drift of EUT during SAR test. Both these procedures measure the field at a specified reference position before and after the SAR testing. The software will calculate the field difference in dB. If the power drift more than 5%, the SAR will be retested.

### 3.4.4 Spatial Peak SAR Evaluation

The procedure for spatial peak SAR evaluation has been implemented according to the test standard. It can be conducted for 1g and 10g, as well as for user-specific masses. The DASYS software includes all numerical procedures necessary to evaluate the spatial peak SAR value.

The base for the evaluation is a "cube" measurement. The measured volume must include the 1g and 10g cubes with the highest averaged SAR values. For that purpose, the center of the measured volume is aligned to the interpolated peak SAR value of a previously performed area scan.

The entire evaluation of the spatial peak values is performed within the post-processing engine (SEMCAD). The system always gives the maximum values for the 1g and 10g cubes. The algorithm to find the cube with highest averaged SAR is divided into the following stages:

- (a) Extraction of the measured data (grid and values) from the Zoom Scan
- (b) Calculation of the SAR value at every measurement point based on all stored data (A/D values and measurement parameters)
- (c) Generation of a high-resolution mesh within the measured volume
- (d) Interpolation of all measured values from the measurement grid to the high-resolution grid
- (e) Extrapolation of the entire 3-D field distribution to the phantom surface over the distance from sensor to surface
- (f) Calculation of the averaged SAR within masses of 1g and 10g

### 3.4.5 SAR Averaged Methods

In DASYS, the interpolation and extrapolation are both based on the modified Quadratic Shepard's method. The interpolation scheme combines a least-square fitted function method and a weighted average method which are the two basic types of computational interpolation and approximation.

Extrapolation routines are used to obtain SAR values between the lowest measurement points and the inner phantom surface. The extrapolation distance is determined by the surface detection distance and the probe sensor offset. The uncertainty increases with the extrapolation distance. To keep the uncertainty within 1% for the 1 g and 10 g cubes, the extrapolation distance should not be larger than 5 mm.



## 4. SAR Measurement Evaluation

### 4.1 EUT Configuration and Setting

#### <Considerations Related to WLAN for Setup and Testing>

In general, various vendor specific external test software and chipset based internal test modes are typically used for SAR measurement. These chipset based test mode utilities are generally hardware and manufacturer dependent, and often include substantial flexibility to reconfigure or reprogram a device. A Wi-Fi device must be configured to transmit continuously at the required data rate, channel bandwidth and signal modulation, using the highest transmission duty factor supported by the test mode tools for SAR measurement. The test frequencies established using test mode must correspond to the actual channel frequencies. When 802.11 frame gaps are accounted for in the transmission, a maximum transmission duty factor of 92 - 96% is typically achievable in most test mode configurations. A minimum transmission duty factor of 85% is required to avoid certain hardware and device implementation issues related to wide range SAR scaling. In addition, a periodic transmission duty factor is required for current generation SAR systems to measure SAR correctly. The reported SAR must be scaled to 100% transmission duty factor to determine compliance at the maximum tune-up tolerance limit.

According to KDB 248227 D01, this device has installed WLAN engineering testing software which can provide continuous transmitting RF signal. During WLAN SAR testing, this device was operated to transmit continuously at the maximum transmission duty with specified transmission mode, operating frequency, lowest data rate, and maximum output power.

#### Initial Test Configuration

An initial test configuration is determined for OFDM transmission modes in 2.4 GHz and 5 GHz bands according to the channel bandwidth, modulation and data rate combination(s) with the highest maximum output power specified for production units in each standalone and aggregated frequency band. When the same maximum power is specified for multiple transmission modes in a frequency band, the largest channel bandwidth, lowest order modulation, lowest data rate and lowest order 802.11a/g/n/ac mode is used for SAR measurement, on the highest measured output power channel in the initial test configuration, for each frequency band.

#### Subsequent Test Configuration

SAR measurement requirements for the remaining 802.11 transmission mode configurations that have not been tested in the initial test configuration are determined separately for each standalone and aggregated frequency band, in each exposure condition, according to the maximum output power specified for production units. Additional power measurements may be required to determine if SAR measurements are required for subsequent highest output power channels in a subsequent test configuration. When the highest reported SAR for the initial test configuration according to the initial test position or fixed exposure position requirements, is adjusted by the ratio of the subsequent test configuration to initial test configuration specified maximum output power and the adjusted SAR is  $\leq 1.2$  W/kg, SAR is not required for that subsequent test configuration.

### **SAR Test Configuration and Channel Selection**

When multiple channel bandwidth configurations in a frequency band have the same specified maximum output power, the initial test configuration is using largest channel bandwidth, lowest order modulation, lowest data rate, and lowest order 802.11 mode (i.e., 802.11a is chosen over 802.11n then 802.11ac or 802.11g is chosen over 802.11n). After an initial test configuration is determined, if multiple test channels have the same measured maximum output power, the channel chosen for SAR measurement is determined according to the following.

- 1) The channel closest to mid-band frequency is selected for SAR measurement.
- 2) For channels with equal separation from mid-band frequency; for example, high and low channels or two mid-band channels, the higher frequency (number) channel is selected for SAR measurement.

### **Test Reduction for U-NII-1 (5.2 GHz) and U-NII-2A (5.3 GHz) Bands**

For devices that operate in both U-NII bands using the same transmitter and antenna(s), SAR test reduction is determined according to the following.

- 1) When the same maximum output power is specified for both bands, begin SAR measurement in U-NII-2A band by applying the OFDM SAR requirements. If the highest reported SAR for a test configuration is  $\leq 1.2$  W/kg, SAR is not required for U-NII-1 band for that configuration (802.11 mode and exposure condition).
- 2) When different maximum output power is specified for the bands, begin SAR measurement in the band with higher specified maximum output power. The highest reported SAR for the tested configuration is adjusted by the ratio of lower to higher specified maximum output power for the two bands. When the adjusted SAR is  $\leq 1.2$  W/kg, SAR is not required for the band with lower maximum output power in that test configuration.

### **<Considerations Related to Bluetooth for Setup and Testing>**

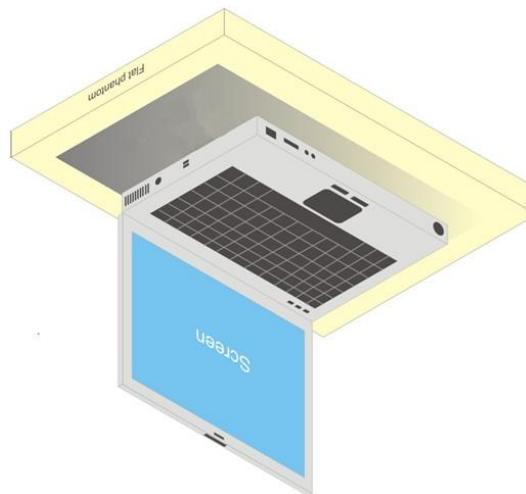
This device has installed Bluetooth engineering testing software which can provide continuous transmitting RF signal. During Bluetooth SAR testing, this device was operated to transmit continuously at the maximum transmission duty with specified transmission mode, operating frequency, lowest data rate, and maximum output power.

## 4.2 EUT Testing Position

### 4.2.1 Body Exposure Conditions

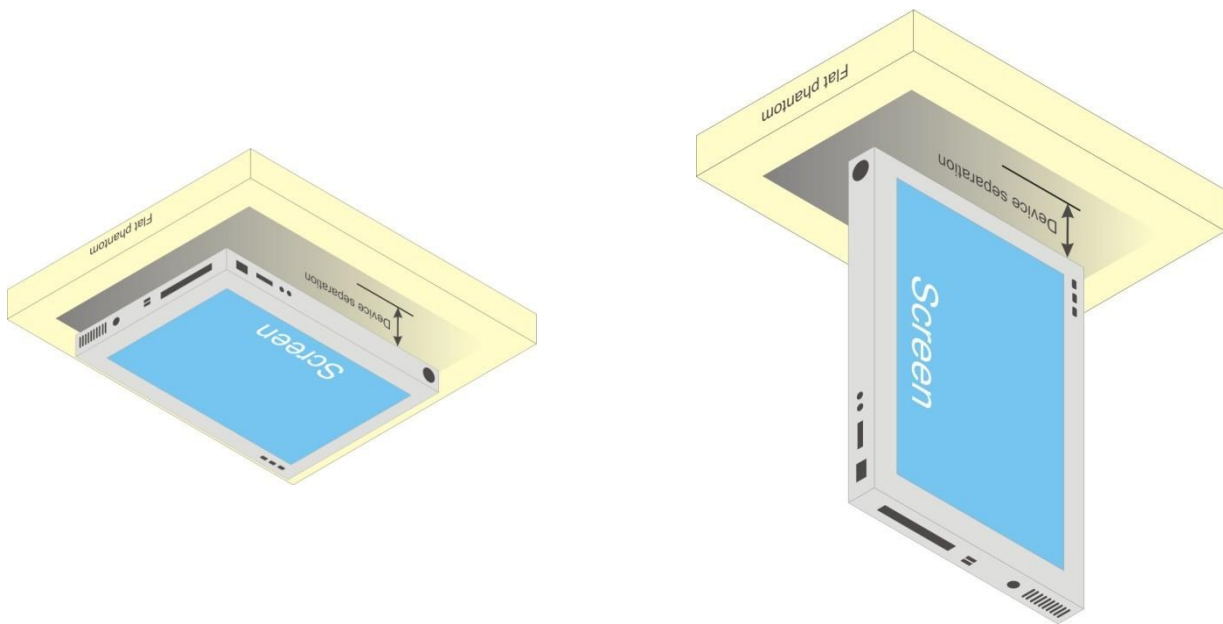
For laptop PC, according to KDB 616217 D04, SAR evaluation is required for the bottom surface of the keyboard. This EUT was tested in the base of EUT directly against the flat phantom. The required minimum test separation distance for incorporating transmitters and antennas into laptop computer display is determined with the display screen opened at an angle of 90° to the keyboard compartment.

Where a body supported device has an integral screen required for normal operation, then the screen-side will not need to be tested if the antenna integrated in it ordinarily remains 200 mm from the body.



**Fig-4.1 Illustration for Laptop Setup**

For full-size tablet, according to KDB 616217 D04, SAR evaluation is required for back surface and edges of the devices. The back surface and edges of the tablet are tested with the tablet touching the phantom. Exposures from antennas through the front surface of the display section of a tablet are generally limited to the user's hands. Exposures to hands for typical consumer transmitters used in tablets are not expected to exceed the extremity SAR limit; therefore, SAR evaluation for the front surface of tablet display screens are generally not necessary. When voice mode is supported on a tablet and it is limited to speaker mode or headset operations only, additional SAR testing for this type of voice use is not required.



**Fig-4.2 Illustration for Tablet Setup**

# FCC SAR Test Report

## 4.2.1 SAR Test Exclusion Evaluations

According to KDB 447498 D01, the SAR test exclusion condition is based on source-based time-averaged maximum conducted output power, adjusted for tune-up tolerance, and the minimum test separation distance required for the exposure conditions. The SAR exclusion threshold is determined by the following formula.

- For the test separation distance  $\leq 50$  mm

$$\frac{\text{Max. Tune up Power}_{(mW)}}{\text{Min. Test Separation Distance}_{(mm)}} \times \sqrt{f_{(GHz)}} \leq 3.0 \text{ for SAR} - 1g, \leq 7.5 \text{ for SAR} - 10g$$

When the minimum test separation distance is  $< 5$  mm, a distance of 5 mm is applied to determine SAR test exclusion.

- For the test separation distance  $> 50$  mm, and the frequency at 100 MHz to 1500 MHz

$$\left[ (\text{Threshold at 50 mm in Step 1}) + (\text{Test Separation Distance} - 50 \text{ mm}) \times \left( \frac{f_{(MHz)}}{150} \right) \right]_{(mW)}$$

- For the test separation distance  $> 50$  mm, and the frequency at  $> 1500$  MHz to 6 GHz

### <For WLAN Ant-0>

Mode	Max. Tune-up Power (dBm)	Max. Tune-up Power (mW)	Rear Face			Left Side			Right Side			Top Side			Bottom Side		
			Ant. to Surface (mm)	Calculated Result	Require SAR Testing?	Ant. to Surface (mm)	Calculated Result	Require SAR Testing?	Ant. to Surface (mm)	Calculated Result	Require SAR Testing?	Ant. to Surface (mm)	Calculated Result	Require SAR Testing?	Ant. to Surface (mm)	Calculated Result	Require SAR Testing?
WLAN 2.4G	18.0	63.1	5	19.80	Yes	41.6	2.38	No	213.4	1730 mW	No	4	19.80	Yes	191.5	1511 mW	No
WLAN 5.2G	17.5	56.23	5	25.74	Yes	41.6	3.09	Yes	213.4	1700 mW	No	4	25.74	Yes	191.5	1481 mW	No
WLAN 5.3G	17.5	56.23	5	25.94	Yes	41.6	3.12	Yes	213.4	1699 mW	No	4	25.94	Yes	191.5	1480 mW	No
WLAN 5.6G	17.5	56.23	5	26.85	Yes	41.6	3.23	Yes	213.4	1697 mW	No	4	26.85	Yes	191.5	1478 mW	No
WLAN 5.8G	17.5	56.23	5	27.14	Yes	41.6	3.26	Yes	213.4	1696 mW	No	4	27.14	Yes	191.5	1477 mW	No

### <For BT/WLAN Ant-1>

Mode	Max. Tune-up Power (dBm)	Max. Tune-up Power (mW)	Rear Face			Left Side			Right Side			Top Side			Bottom Side		
			Ant. to Surface (mm)	Calculated Result	Require SAR Testing?	Ant. to Surface (mm)	Calculated Result	Require SAR Testing?	Ant. to Surface (mm)	Calculated Result	Require SAR Testing?	Ant. to Surface (mm)	Calculated Result	Require SAR Testing?	Ant. to Surface (mm)	Calculated Result	Require SAR Testing?
WLAN 2.4G	18.0	63.1	5	19.80	Yes	222.6	1822 mW	No	32.4	3.06	Yes	4	19.80	Yes	191.5	1511 mW	No
WLAN 5.2G	17.5	56.23	5	25.74	Yes	222.6	1792 mW	No	32.4	3.97	Yes	4	25.74	Yes	191.5	1481 mW	No
WLAN 5.3G	17.5	56.23	5	25.94	Yes	222.6	1791 mW	No	32.4	4.00	Yes	4	25.94	Yes	191.5	1480 mW	No
WLAN 5.6G	17.5	56.23	5	26.85	Yes	222.6	1789 mW	No	32.4	4.14	Yes	4	26.85	Yes	191.5	1478 mW	No
WLAN 5.8G	17.5	56.23	5	27.14	Yes	222.6	1788 mW	No	32.4	4.19	Yes	4	27.14	Yes	191.5	1477 mW	No
BT	5.5	3.55	5	1.12	No	222.6	1821 mW	No	32.4	0.17	No	4	1.12	No	191.5	1510 mW	No

# FCC SAR Test Report

## <For WLAN Ant-0 + Ant-1>

Mode	Max. Tune-up Power (dBm)	Max. Tune-up Power (mW)	Rear Face			Left Side			Right Side			Top Side			Bottom Side		
			Ant. to Surface (mm)	Calculated Result	Require SAR Testing?	Ant. to Surface (mm)	Calculated Result	Require SAR Testing?	Ant. to Surface (mm)	Calculated Result	Require SAR Testing?	Ant. to Surface (mm)	Calculated Result	Require SAR Testing?	Ant. to Surface (mm)	Calculated Result	Require SAR Testing?
WLAN 2.4G	20.0	100	5	31.38	Yes	41.6	3.77	Yes	32.4	4.84	Yes	4	31.38	Yes	191.5	1511 mW	No
WLAN 5.2G	19.5	89.13	5	40.81	Yes	41.6	4.90	Yes	32.4	6.30	Yes	4	40.81	Yes	191.5	1481 mW	No
WLAN 5.3G	19.5	89.13	5	41.12	Yes	41.6	4.94	Yes	32.4	6.35	Yes	4	41.12	Yes	191.5	1480 mW	No
WLAN 5.6G	20.5	112.2	5	53.57	Yes	41.6	6.44	Yes	32.4	8.27	Yes	4	53.57	Yes	191.5	1478 mW	No
WLAN 5.8G	20.5	112.2	5	54.16	Yes	41.6	6.51	Yes	32.4	8.36	Yes	4	54.16	Yes	191.5	1477 mW	No

### 4.3 Tissue Verification

The measuring results for tissue simulating liquid are shown as below.

Test Date	Tissue Type	Frequency (MHz)	Liquid Temp. (°C)	Measured Conductivity (σ)	Measured Permittivity (ε <sub>r</sub> )	Target Conductivity (σ)	Target Permittivity (ε <sub>r</sub> )	Conductivity Deviation (%)	Permittivity Deviation (%)
Mar. 14, 2018	Body	2450	23.6	2.022	50.687	1.95	52.7	3.69	-3.82
Mar. 17, 2018	Body	2450	23.2	2.021	51.382	1.95	52.7	3.64	-2.50
Mar. 12, 2018	Body	5250	23.1	5.452	49.177	5.36	48.9	1.72	0.57
Mar. 14, 2018	Body	5250	23.6	5.42	47.62	5.36	48.9	1.12	-2.62
Mar. 28, 2018	Body	5250	23.3	5.332	47.649	5.36	48.9	-0.52	-2.56
Mar. 12, 2018	Body	5600	23.1	5.853	46.622	5.77	48.5	1.44	-3.87
Mar. 14, 2018	Body	5600	23.6	5.912	46.88	5.77	48.5	2.46	-3.34
Mar. 28, 2018	Body	5600	23.3	5.735	47.024	5.77	48.5	-0.61	-3.04
Mar. 12, 2018	Body	5800	23.1	6.221	48.523	6	48.2	3.68	0.67
Mar. 14, 2018	Body	5800	23.6	6.19	46.55	6	48.2	3.17	-3.42
Mar. 28, 2018	Body	5800	23.3	6.032	46.751	6	48.2	0.53	-3.01

#### Note:

The dielectric properties of the tissue simulating liquid must be measured within 24 hours before the SAR testing and within ±5% of the target values. Liquid temperature during the SAR testing must be within ±2 °C.

### 4.4 System Validation

The SAR measurement system was validated according to procedures in KDB 865664 D01. The validation status in tabulated summary is as below.

Test Date	Probe S/N	Calibration Point	Measured Conductivity (σ)	Measured Permittivity (ε <sub>r</sub> )	Validation for CW			Validation for Modulation		
					Sensitivity Range	Probe Linearity	Probe Isotropy	Modulation Type	Duty Factor	PAR
Mar. 14, 2018	7375	Body 2450	2.022	50.687	Pass	Pass	Pass	OFDM	N/A	Pass
Mar. 17, 2018	7375	Body 2450	2.021	51.382	Pass	Pass	Pass	OFDM	N/A	Pass
Mar. 12, 2018	3578	Body 5250	5.452	49.177	Pass	Pass	Pass	OFDM	N/A	Pass
Mar. 14, 2018	7375	Body 5250	5.42	47.62	Pass	Pass	Pass	OFDM	N/A	Pass
Mar. 28, 2018	3650	Body 5250	5.332	47.649	Pass	Pass	Pass	OFDM	N/A	Pass
Mar. 12, 2018	3578	Body 5600	5.853	46.622	Pass	Pass	Pass	OFDM	N/A	Pass
Mar. 14, 2018	7375	Body 5600	5.912	46.88	Pass	Pass	Pass	OFDM	N/A	Pass
Mar. 28, 2018	3650	Body 5600	5.735	47.024	Pass	Pass	Pass	OFDM	N/A	Pass
Mar. 12, 2018	3578	Body 5800	6.221	48.523	Pass	Pass	Pass	OFDM	N/A	Pass
Mar. 14, 2018	7375	Body 5800	6.19	46.55	Pass	Pass	Pass	OFDM	N/A	Pass
Mar. 28, 2018	3650	Body 5800	6.032	46.751	Pass	Pass	Pass	OFDM	N/A	Pass

**4.5 System Verification**

The measuring result for system verification is tabulated as below.

Test Date	Mode	Frequency (MHz)	1W Target SAR-1g (W/kg)	Measured SAR-1g (W/kg)	Normalized to 1W SAR-1g (W/kg)	Deviation (%)	Dipole S/N	Probe S/N	DAE S/N
Mar. 14, 2018	Body	2450	49.70	12.4	49.60	-0.20	737	7375	917
Mar. 17, 2018	Body	2450	49.70	12.90	51.60	3.82	737	7375	917
Mar. 12, 2018	Body	5250	76.50	7.35	73.50	-3.92	1019	3578	360
Mar. 14, 2018	Body	5250	76.50	7.42	74.20	-3.01	1019	7375	917
Mar. 28, 2018	Body	5250	76.50	7.22	72.20	-5.62	1019	3650	861
Mar. 12, 2018	Body	5600	79.70	8	80.00	0.38	1019	3578	360
Mar. 14, 2018	Body	5600	79.70	7.83	78.30	-1.76	1019	7375	917
Mar. 28, 2018	Body	5600	79.70	7.41	74.10	-7.03	1019	3650	861
Mar. 12, 2018	Body	5800	76.90	7.64	76.40	-0.65	1019	3578	360
Mar. 14, 2018	Body	5800	76.90	7.63	76.30	-0.78	1019	7375	917
Mar. 28, 2018	Body	5800	76.90	7.97	79.70	3.64	1019	3650	861

**Note:**

Comparing to the reference SAR value provided by SPEAG, the validation data should be within its specification of 10 %. The result indicates the system check can meet the variation criterion and the plots can be referred to Appendix A of this report.

**4.6 Maximum Output Power**

**4.6.1 Maximum Target Conducted Power**

The maximum conducted average power (Unit: dBm) including tune-up tolerance is shown as below.

Main Antenna: WLAN Ant-0

Aux. Antenna: BT / WLAN Ant-1

Mode	Ant.	802.11b	802.11g	802.11n HT20	802.11n HT40
2.4G WLAN	Ant-0	CH1-11: 17.0 CH12: 14.0 CH13: 11.0	CH1:14.0 CH6: 18.0 CH11: 15.0 CH12: 12.0 CH13: 8.0	CH1:14.0 CH6: 18.0 CH11: 14.0 CH12: 11.0 CH13: 8.0	CH3:14.0 CH6: 17.0 CH9: 14.0 CH11: 8.0
	Ant-1	CH1-11: 17.0 CH12: 14.0 CH13: 11.0	CH1:14.0 CH6: 18.0 CH11: 15.0 CH12: 12.0 CH13: 8.0	CH1:14.0 CH6: 18.0 CH11: 14.0 CH12: 11.0 CH13: 8.0	CH3:14.0 CH6: 17.0 CH9: 14.0 CH11: 8.0
	Ant-0+1	N/A	N/A	CH1:17.0 CH6: 20.0 CH11: 17.0 CH12: 14.0 CH13: 11.0	CH3:16.0 CH6: 18.0 CH9: 17.0 CH11: 11.0

# FCC SAR Test Report

Mode	Ant.	802.11a	802.11n HT20	802.11n HT40	802.11ac VHT80
5.2G WLAN	Ant-0	CH36: 16.5 CH40-48: 17.5	CH36: 16.5 CH40-48: 17.5	CH38: 12.5 CH46: 16.5	11.5
	Ant-1	CH36: 16.5 CH40-48: 17.5	CH36: 16.5 CH40-48: 17.5	CH38: 12.5 CH46: 16.5	11.5
	Ant-0+1	N/A	CH36: 18.5 CH40-48: 19.5	CH38: 14.5 CH46: 19.5	13.5
5.3G WLAN	Ant-0	CH52-60: 17.5 CH64: 15.5	CH52-60: 17.5 CH64: 15.5	CH54: 16.5 CH62: 13.5	11.5
	Ant-1	CH52-60: 17.5 CH64: 15.5	CH52-60: 17.5 CH64: 15.5	CH54: 16.5 CH62: 13.5	11.5
	Ant-0+1	N/A	CH52-60: 19.5 CH64: 18.5	CH54: 19.5 CH62: 15.5	13.5
5.6G WLAN	Ant-0	CH100: 14.5 CH116-132: 17.5 CH140-144: 15.5	CH100: 14.5 CH116-132: 17.5 CH140-144: 14.5	CH102: 13.5 CH110-142: 16.5	CH106: 11.5 CH122-138: 16.5
	Ant-1	CH100: 14.5 CH116-132: 17.5 CH140-144: 15.5	CH100: 14.5 CH116-132: 17.5 CH140-144: 14.5	CH102: 13.5 CH110-142: 16.5	CH106: 11.5 CH122-138: 16.5
	Ant-0+1	N/A	CH100: 17.5 CH116-132: 20.5 CH140-144: 17.5	CH102: 15.5 CH110-142: 19.5	CH106: 14.5 CH122-138: 19.5
5.8G WLAN	Ant-0	17.5	17.5	16.5	16.5
	Ant-1	17.5	17.5	16.5	16.5
	Ant-0+1	N/A	20.5	19.5	19.5

Mode	2.4G Bluetooth
Bluetooth DH	5.5
Bluetooth 2DH	5.5
Bluetooth 3DH	5.5
Bluetooth LE	5.5



# FCC SAR Test Report

## 4.6.2 Measured Conducted Power Result

The measuring conducted average power (Unit: dBm) is shown as below.

Main Antenna: WLAN Ant-0

Aux. Antenna: BT / WLAN Ant-1

### <WLAN 2.4G>

Mode	Channel	Frequency (MHz)	Average Power (Ant-0)	Average Power (Ant-1)	Average Power (Ant-0 + Ant-1)
802.11b	1	2412	16.75	16.83	-
	6	2437	<b>16.98</b>	16.71	-
	11	2462	16.92	16.79	-
	12	2467	13.95	13.97	-
	13	2472	10.76	10.79	-
802.11n (HT20)	1	2412	-	-	16.89
	6	2437	-	-	19.86
	11	2462	-	-	16.83
	12	2467	-	-	13.93
	13	2472	-	-	10.98

### <WLAN 5.3G>

Mode	Channel	Frequency (MHz)	Average Power (Ant-0)	Average Power (Ant-1)	Average Power (Ant-0 + Ant-1)
802.11a	52	5260	17.48	17.31	-
	56	5280	17.47	17.34	-
	60	5300	17.38	17.49	-
	64	5320	15.30	15.30	-
802.11n (HT40)	54	5270	-	-	<b>19.44</b>
	62	5310	-	-	15.40

### <WLAN 5.6G>

Mode	Channel	Frequency (MHz)	Average Power (Ant-0)	Average Power (Ant-1)	Average Power (Ant-0 + Ant-1)
802.11a	100	5500	14.49	14.50	-
	116	5580	17.49	17.48	-
	120	5600	17.44	17.28	-
	124	5620	17.37	17.31	-
	132	5660	17.34	17.47	-
	140	5700	15.22	15.39	-
	144	5720	15.17	15.25	-
802.11n (HT20)	100	5500	-	-	17.41
	116	5580	-	-	<b>20.49</b>
	120	5600	-	-	20.27
	124	5620	-	-	20.16
	132	5660	-	-	20.23
	140	5700	-	-	17.34
	144	5720	-	-	17.40

# FCC SAR Test Report

## <WLAN 5.8G>

Mode	Channel	Frequency (MHz)	Average Power (Ant-0)	Average Power (Ant-1)	Average Power (Ant-0 + Ant-1)
802.11a	149	5745	17.44	17.41	-
	153	5765	17.43	17.46	-
	157	5785	17.39	17.40	-
	161	5805	17.31	17.44	-
	165	5825	17.45	17.35	-
802.11n (HT20)	149	5745	-	-	20.48
	153	5765	-	-	<b>20.49</b>
	157	5785	-	-	20.20
	161	5805	-	-	20.29
	165	5825	-	-	20.34

## <Bluetooth>

Mode	Channel	Frequency (MHz)	Average Power
Bluetooth EDR	0	2402	<b>5.49</b>
	39	2441	5.48
	78	2480	5.34
Bluetooth LE	0	2402	5.31
	19	2440	5.30
	39	2480	5.29

## 4.7 SAR Testing Results

### 4.7.1 SAR Test Reduction Considerations

#### <KDB 447498 D01, General RF Exposure Guidance>

Testing of other required channels within the operating mode of a frequency band is not required when the reported SAR for the mid-band or highest output power channel is:

- (1)  $\leq 0.8$  W/kg or 2.0 W/kg, for 1-g or 10-g respectively, when the transmission band is  $\leq 100$  MHz
- (2)  $\leq 0.6$  W/kg or 1.5 W/kg, for 1-g or 10-g respectively, when the transmission band is between 100 MHz and 200 MHz
- (3)  $\leq 0.4$  W/kg or 1.0 W/kg, for 1-g or 10-g respectively, when the transmission band is  $\geq 200$  MHz

#### <KDB 248227 D01, SAR Guidance for Wi-Fi Transmitters>

- (1) For handsets operating next to ear, hotspot mode or mini-tablet configurations, the initial test position procedures were applied. The test position with the highest extrapolated peak SAR will be used as the initial test position. When the reported SAR of initial test position is  $\leq 0.4$  W/kg, SAR testing for remaining test positions is not required. Otherwise, SAR is evaluated at the subsequent highest peak SAR positions until the reported SAR result is  $\leq 0.8$  W/kg or all test positions are measured.
- (2) For WLAN 2.4 GHz, the highest measured maximum output power channel for DSSS was selected for SAR measurement. When the reported SAR is  $\leq 0.8$  W/kg, no further SAR testing is required. Otherwise, SAR is evaluated at the next highest measured output power channel. When any reported SAR is  $> 1.2$  W/kg, SAR is required for the third channel. For OFDM modes (802.11g/n), SAR is not required when the highest reported SAR for DSSS is adjusted by the ratio of OFDM to DSSS specified maximum output power and it is  $\leq 1.2$  W/kg.
- (3) For WLAN 5 GHz, the initial test configuration was selected according to the transmission mode with the highest maximum output power. When the reported SAR of initial test configuration is  $> 0.8$  W/kg, SAR is required for the subsequent highest measured output power channel until the reported SAR result is  $\leq 1.2$  W/kg or all required channels are measured. For other transmission modes, SAR is not required when the highest reported SAR for initial test configuration is adjusted by the ratio of subsequent test configuration to initial test configuration specified maximum output power and it is  $\leq 1.2$  W/kg.
- (4) For WLAN MIMO mode, the power-based standalone SAR test exclusion or the sum of SAR provision in KDB 447498 to determine simultaneous transmission SAR test exclusion should be applied. Otherwise, SAR for MIMO mode will be measured with all applicable antennas transmitting simultaneously at the specified maximum output power of MIMO operation.

# FCC SAR Test Report

## 4.7.2 SAR Results for Body Exposure Condition (Test Separation Distance is 0 mm)

Plot No.	Band	Mode	Test Position	Ch.	Tx Antenna	Max. Tune-up Power (dBm)	Measured Conducted Power (dBm)	Scaling Factor	Power Drift (dB)	Measured SAR-1g (W/kg)	Scaled SAR-1g (W/kg)
	WLAN2.4G	802.11b	Rear Face	6	Ant 0	17.0	16.98	1.00	0.10	0.255	0.26
	WLAN2.4G	802.11b	Left Side	6	Ant 0	17.0	16.98	1.00	0.13	0.141	0.14
01	WLAN2.4G	802.11b	Top Side	6	Ant 0	17.0	16.98	1.00	-0.09	0.499	0.50
	WLAN2.4G	802.11b	Rear Face	1	Ant 1	17.0	16.83	1.04	0.01	0.165	0.17
	WLAN2.4G	802.11b	Right Side	1	Ant 1	17.0	16.83	1.04	-0.11	0.053	0.06
	WLAN2.4G	802.11b	Top Side	1	Ant 1	17.0	16.83	1.04	-0.03	0.333	0.35
	WLAN2.4G	802.11n HT20	Rear Face	6	Ant 0+1	20.0	19.86	1.03	-0.11	0.179	0.18
	WLAN2.4G	802.11n HT20	Left Side	6	Ant 0+1	20.0	19.86	1.03	0.13	0.148	0.15
	WLAN2.4G	802.11n HT20	Right Side	6	Ant 0+1	20.0	19.86	1.03	-0.01	0.114	0.12
	WLAN2.4G	802.11n HT20	Top Side	6	Ant 0+1	20.0	19.86	1.03	-0.13	0.342	0.35
	WLAN2.4G	802.11b	Top Side	1	Ant 0	17.0	16.75	1.06	-0.03	0.388	0.41
	WLAN2.4G	802.11b	Top Side	11	Ant 0	17.0	16.92	1.02	-0.11	0.454	0.46
	WLAN2.4G	802.11b	Top Side	12	Ant 0	14.0	13.95	1.01	0.06	0.222	0.22
	WLAN2.4G	802.11b	Top Side	13	Ant 0	11.0	10.76	1.06	-0.17	0.104	0.11
	WLAN5G	802.11a	Rear Face	52	Ant 0	17.5	17.48	1.00	0.13	0.203	0.20
	WLAN5G	802.11a	Left Side	52	Ant 0	17.5	17.48	1.00	0.00	0.001	0.00
	WLAN5G	802.11a	Top Side	52	Ant 0	17.5	17.48	1.00	-0.14	0.677	0.68
	WLAN5G	802.11a	Rear Face	60	Ant 1	17.5	17.49	1.00	0.03	0.147	0.15
	WLAN5G	802.11a	Right Side	60	Ant 1	17.5	17.49	1.00	-0.11	0.225	0.23
02	WLAN5G	802.11a	Top Side	60	Ant 1	17.5	17.49	1.00	-0.15	1.17	1.17
	WLAN5G	802.11n HT40	Rear Face	54	Ant 0+1	19.5	19.44	1.01	0.05	0.061	0.06
	WLAN5G	802.11n HT40	Left Side	54	Ant 0+1	19.5	19.44	1.01	0.18	0.001	0.00
	WLAN5G	802.11n HT40	Right Side	54	Ant 0+1	19.5	19.44	1.01	0.03	0.115	0.12
	WLAN5G	802.11n HT40	Top Side	54	Ant 0+1	19.5	19.44	1.01	-0.18	0.468	0.47
	WLAN5G	802.11a	Top Side	52	Ant 1	17.5	17.31	1.04	0.13	1.11	1.16
	WLAN5G	802.11a	Top Side	56	Ant 1	17.5	17.34	1.04	0.10	1.12	1.16
	WLAN5G	802.11a	Top Side	64	Ant 1	15.5	15.30	1.05	0.05	1.02	1.07
	WLAN5G	802.11a	Top Side	60	Ant 1	17.5	17.49	1.00	0.03	1.15	1.15
	WLAN5G	802.11a	Rear Face	116	Ant 0	17.5	17.49	1.00	0.03	0.292	0.29
	WLAN5G	802.11a	Left Side	116	Ant 0	17.5	17.49	1.00	0	0.001	0.00
	WLAN5G	802.11a	Top Side	116	Ant 0	17.5	17.49	1.00	-0.09	0.529	0.53
	WLAN5G	802.11a	Rear Face	116	Ant 1	17.5	17.48	1.00	0.05	0.201	0.20
	WLAN5G	802.11a	Right Side	116	Ant 1	17.5	17.48	1.00	0.08	0.278	0.28
	WLAN5G	802.11a	Top Side	116	Ant 1	17.5	17.48	1.00	-0.17	0.751	0.75
	WLAN5G	802.11n HT20	Rear Face	116	Ant 0+1	20.5	20.49	1.00	0.06	0.235	0.24
	WLAN5G	802.11n HT20	Left Side	116	Ant 0+1	20.5	20.49	1.00	0	0.001	0.00
	WLAN5G	802.11n HT20	Right Side	116	Ant 0+1	20.5	20.49	1.00	0.19	0.383	0.38
03	WLAN5G	802.11n HT20	Top Side	116	Ant 0+1	20.5	20.49	1.00	-0.17	0.763	0.76
	WLAN5G	802.11n HT20	Top Side	100	Ant 0+1	17.5	17.41	1.02	0.08	0.416	0.42
	WLAN5G	802.11n HT20	Top Side	120	Ant 0+1	20.5	20.27	1.05	0.02	0.721	0.76
	WLAN5G	802.11n HT20	Top Side	124	Ant 0+1	20.5	20.16	1.08	-0.10	0.707	0.76
	WLAN5G	802.11n HT20	Top Side	132	Ant 0+1	20.5	20.23	1.06	0.05	0.714	0.76
	WLAN5G	802.11n HT20	Top Side	140	Ant 0+1	17.5	17.34	1.04	-0.04	0.436	0.45
	WLAN5G	802.11n HT20	Top Side	144	Ant 0+1	17.5	17.40	1.02	-0.11	0.450	0.46

Note: The "< 0.001" means there is no SAR value or the SAR is too low to be measured.

# FCC SAR Test Report

Plot No.	Band	Mode	Test Position	Ch.	Tx Antenna	Max. Tune-up Power (dBm)	Measured Conducted Power (dBm)	Scaling Factor	Power Drift (dB)	Measured SAR-1g (W/kg)	Scaled SAR-1g (W/kg)
	WLAN5G	802.11a	Rear Face	165	Ant 0	17.5	17.45	1.01	0.03	0.256	0.26
	WLAN5G	802.11a	Left Side	165	Ant 0	17.5	17.45	1.01	0.00	0.001	0.00
	WLAN5G	802.11a	Top Side	165	Ant 0	17.5	17.45	1.01	-0.11	0.43	0.43
	WLAN5G	802.11a	Rear Face	153	Ant 1	17.5	17.46	1.01	0.05	0.266	0.27
	WLAN5G	802.11a	Right Side	153	Ant 1	17.5	17.46	1.01	0.13	0.253	0.26
	WLAN5G	802.11a	Top Side	153	Ant 1	17.5	17.46	1.01	0.09	0.957	0.97
	WLAN5G	802.11n HT20	Rear Face	153	Ant 0+1	20.5	20.49	1.00	0.03	0.248	0.25
	WLAN5G	802.11n HT20	Left Side	153	Ant 0+1	20.5	20.49	1.00	0.00	0.001	0.00
	WLAN5G	802.11n HT20	Right Side	153	Ant 0+1	20.5	20.49	1.00	0.13	0.415	0.42
	WLAN5G	802.11n HT20	Top Side	153	Ant 0+1	20.5	20.49	1.00	0.08	0.891	0.89
	WLAN5G	802.11a	Top Side	149	Ant 1	17.5	17.41	1.02	0.13	0.92	0.94
	WLAN5G	802.11a	Top Side	157	Ant 1	17.5	17.40	1.02	0.05	1.11	1.14
04	WLAN5G	802.11a	Top Side	161	Ant 1	17.5	17.44	1.01	-0.11	1.15	1.17
	WLAN5G	802.11a	Top Side	165	Ant 1	17.5	17.35	1.04	0.08	1.09	1.13
	WLAN5G	802.11n HT20	Top Side	149	Ant 0+1	20.5	20.48	1.00	0.17	0.926	0.93
	WLAN5G	802.11a	Top Side	161	Ant 1	17.5	17.44	1.01	0.10	1.1	1.12
	BT	EDR	Rear Face	0	Ant 1	5.5	5.49	1.00	0.01	0.010	0.00
	BT	EDR	Top Side	0	Ant 1	5.5	5.49	1.00	0.00	0.015	0.00
05	BT	EDR	Top Side	39	Ant 1	5.5	5.48	1.00	-0.04	0.019	0.02
	BT	EDR	Top Side	78	Ant 1	5.5	5.34	1.04	0.00	0.017	0.00

Note: The "< 0.001" means there is no SAR value or the SAR is too low to be measured.

## FCC SAR Test Report

### 4.7.3 SAR Measurement Variability

According to KDB 865664 D01, SAR measurement variability was assessed for each frequency band, which is determined by the SAR probe calibration point and tissue-equivalent medium used for the device measurements. When both head and body tissue-equivalent media are required for SAR measurements in a frequency band, the variability measurement procedures should be applied to the tissue medium with the highest measured SAR, using the highest measured SAR configuration for that tissue-equivalent medium. Alternatively, if the highest measured SAR for both head and body tissue-equivalent media are  $\leq 1.45$  W/kg and the ratio of these highest SAR values, i.e., largest divided by smallest value, is  $\leq 1.10$ , the highest SAR configuration for either head or body tissue-equivalent medium may be used to perform the repeated measurement. These additional measurements are repeated after the completion of all measurements requiring the same head or body tissue-equivalent medium in a frequency band. The test device should be returned to ambient conditions (normal room temperature) with the battery fully charged before it is re-mounted on the device holder for the repeated measurement(s) to minimize any unexpected variations in the repeated results.

SAR repeated measurement procedure:

1. When the highest measured SAR is  $< 0.80$  W/kg, repeated measurement is not required.
2. When the highest measured SAR is  $\geq 0.80$  W/kg, repeat that measurement once.
3. If the ratio of largest to smallest SAR for the original and first repeated measurements is  $> 1.20$ , or when the original or repeated measurement is  $\geq 1.45$  W/kg, perform a second repeated measurement.
4. If the ratio of largest to smallest SAR for the original, first and second repeated measurements is  $> 1.20$ , and the original, first or second repeated measurement is  $\geq 1.5$  W/kg, perform a third repeated measurement.

Band	Mode	Test Position	Ch.	Original Measured SAR-1g (W/kg)	1st Repeated SAR-1g (W/kg)	L/S Ratio	2nd Repeated SAR-1g (W/kg)	L/S Ratio	3rd Repeated SAR-1g (W/kg)	L/S Ratio
WLAN5G	802.11a	Top Side	60	1.17	1.15	1.02	N/A	N/A	N/A	N/A
WLAN5G	802.11a	Top Side	161	1.15	1.1	1.05	N/A	N/A	N/A	N/A

# FCC SAR Test Report

## 4.7.4 Simultaneous Multi-band Transmission Evaluation

### <Possibilities of Simultaneous Transmission>

The simultaneous transmission possibilities for this device are listed as below.

Simultaneous TX Combination	Capable Transmit Configurations	Body Exposure Condition
1	WLAN 2.4G Ant0 + BT Ant1	Yes
2	WLAN 5G Ant0 + BT Ant1	Yes

#### Note:

1. The WLAN 2.4G and WLAN 5G cannot transmit simultaneously.

### <Estimated SAR Calculation>

The SAR exemption limits outlined in clause 2.5.1 of RSS\_102 have been derived based on an approximate SAR value of 0.4 W/kg (kilogram) using halfwave dipole antennas. As such, when simultaneous transmitter SAR evaluations include transmitters that have been exempt from routine SAR evaluation, the SAR must be estimating based on the ratio between the maximum tuneup tolerance limit of the transmitter that has been exempt and the exemption limit at the specific distance and frequency for that transmitter. This ratio must be multiplied by 0.4 W/kg (2.0 W/kg for controlled use and 1.0 W/kg for limb worn devices) in order to calculate the estimated SAR level.

The estimate SAR value is calculated based the following equation:

$$\frac{\text{maximum power level including tune – up tolerance for transmitter A}}{\text{maximum power level of exemption at the same frequency and distance}} \times 0.4 \text{ W/kg}$$

Mode / Band	Frequency (GHz)	Max. Tune-up Power (dBm)	Test Position	Separation Distance (mm)	Estimated SAR (W/kg)
WLAN (DTS)	2.462	20.0	Body	0	0.40
WLAN (NII)	5.24	19.5	Body	0	0.40
WLAN (NII)	5.32	19.5	Body	0	0.40
WLAN (NII)	5.7	20.5	Body	0	0.40
WLAN (NII)	5.8	20.5	Body	0	0.40
BT (DSS)	2.48	5.5	Body	0	0.15

#### Note:

1. The separation distance is determined from the outer housing of the tablet to the user.
2. When standalone SAR testing is not required, an estimated SAR can be applied to determine simultaneous transmission SAR test exclusion.

## FCC SAR Test Report

### <SAR Summation Analysis>

Simultaneous transmission SAR test exclusion is determined for each operating configuration and exposure condition according to the reported standalone SAR of each applicable simultaneous transmitting antenna. When the sum of SAR<sub>1g</sub> of all simultaneously transmitting antennas in an operating mode and exposure condition combination is within the SAR limit (SAR<sub>1g</sub> 1.6 W/kg), the simultaneous transmission SAR is not required. When the sum of SAR<sub>1g</sub> is greater than the SAR limit (SAR<sub>1g</sub> 1.6 W/kg), SAR test exclusion is determined by the SPLSR.

### Tablet PC

No.	Conditions (SAR1 + SAR2)	Exposure Condition	Test Position	Max. SAR1	Max. SAR2	SAR Summation	SPLSR Analysis
1	WLAN (DTS) Ant0 + BT (DSS)	Body	Rear Face	0.26	0.00	0.26	Σ SAR < 1.6, Not required
			Left Side	0.14	0.15	0.29	Σ SAR < 1.6, Not required
			Right Side	0.40	0.15	0.55	Σ SAR < 1.6, Not required
			Top Side	0.50	0.02	0.52	Σ SAR < 1.6, Not required
			Bottom Side	0.40	0.15	0.55	Σ SAR < 1.6, Not required
2	WLAN (NII) Ant0 + BT (DSS)	Body	Rear Face	0.29	0.00	0.29	Σ SAR < 1.6, Not required
			Left Side	0.00	0.15	0.15	Σ SAR < 1.6, Not required
			Right Side	0.40	0.15	0.55	Σ SAR < 1.6, Not required
			Top Side	0.68	0.02	0.70	Σ SAR < 1.6, Not required
			Bottom Side	0.40	0.15	0.55	Σ SAR < 1.6, Not required

Test Engineer : Mars Chang, and Chienlun Huang



## 5. Calibration of Test Equipment

Equipment	Manufacturer	Model	SN	Cal. Date	Cal. Interval
System Validation Dipole	SPEAG	D2450V2	737	Aug. 17, 2017	1 Year
System Validation Dipole	SPEAG	D5GHzV2	1019	Aug. 23, 2017	1 Year
Dosimetric E-Field Probe	SPEAG	EX3DV4	3578	May 05, 2017	1 Year
Dosimetric E-Field Probe	SPEAG	EX3DV4	7375	Dec. 18, 2017	1 Year
Dosimetric E-Field Probe	SPEAG	EX3DV4	3650	Jul. 24, 2017	1 Year
Data Acquisition Electronics	SPEAG	DAE3	360	Nov. 02, 2017	1 Year
Data Acquisition Electronics	SPEAG	DAE4	917	Dec. 14, 2017	1 Year
Data Acquisition Electronics	SPEAG	DAE4	861	May. 22, 2017	1 Year
Spectrum Analyzer	R&S	FSL6	102006	Mar. 27, 2017	1 Year
ENA Series Network Analyzer	Agilent	E5071C	MY46214281	Jun. 09, 2017	1 Year
MXG Analog Signal Generator	Agilent	N5181A	MY50143868	Jul. 10, 2017	1 Year
Vector Signal Generator	Anritsu	MG3710A	6201599977	Mar. 27, 2017	1 Year
Power Meter	Anritsu	ML2495A	1218009	Jul. 12, 2017	1 Year
Power Sensor	Anritsu	MA2411B	1207252	Jul. 12, 2017	1 Year
Thermometer	YFE	YF-160A	130504591	Mar. 24, 2017	1 Year
Dielectric Assessment Kit	SPEAG	DAK-3.5	1047	Aug. 15, 2017	1 Year

## 6. Measurement Uncertainty

Source of Uncertainty	Uncertainty (± %)	Probability Distribution	Divisor	Ci (1g)	Ci (10g)	Standard Uncertainty (± %, 1g)	Standard Uncertainty (± %, 10g)	Vi
<b>Measurement System</b>								
Probe Calibration	6.0	Normal	1	1	1	6.0	6.0	∞
Axial Isotropy	4.7	Rectangular	√3	√0.5	√0.5	1.9	1.9	∞
Hemispherical Isotropy	9.6	Rectangular	√3	√0.5	√0.5	3.9	3.9	∞
Boundary Effect	1.0	Rectangular	√3	1	1	0.6	0.6	∞
Linearity	4.7	Rectangular	√3	1	1	2.7	2.7	∞
Detection Limits	0.25	Rectangular	√3	1	1	0.14	0.14	∞
Probe Modulation Response	3.5	Rectangular	√3	1	1	2.0	2.0	∞
Readout Electronics	0.3	Normal	1	1	1	0.3	0.3	∞
Response Time	0.0	Rectangular	√3	1	1	0.0	0.0	∞
Integration Time	1.7	Rectangular	√3	1	1	1.0	1.0	∞
RF Ambient Conditions – Noise	3.0	Rectangular	√3	1	1	1.7	1.7	∞
RF Ambient Conditions – Reflections	3.0	Rectangular	√3	1	1	1.7	1.7	∞
Probe Positioner Mechanical Tolerance	0.4	Rectangular	√3	1	1	0.2	0.2	∞
Probe Positioning with Respect to Phantom	2.9	Rectangular	√3	1	1	1.7	1.7	∞
Post-processing	2.0	Rectangular	√3	1	1	1.2	1.2	∞
<b>Test Sample Related</b>								
Test Sample Positioning	4.38 / 1.35	Normal	1	1	1	4.4	1.4	29
Device Holder Uncertainty	2.9 / 4.1	Normal	1	1	1	2.9	4.1	11
Power Drift of Measurement	5.0	Rectangular	√3	1	1	2.9	2.9	∞
Power Scaling	0.0	Rectangular	√3	1	1	0.0	0.0	∞
<b>Phantom and Setup</b>								
Phantom Uncertainty (Shape and Thickness Tolerances)	7.2	Rectangular	√3	1	1	4.2	4.2	∞
Liquid Conductivity ( Temperature Uncertainty)	3.24	Rectangular	√3	0.78	0.71	1.5	1.3	∞
Liquid Conductivity (Measured)	2.88	Normal	1	0.78	0.71	2.2	2.0	43
Liquid Permittivity (Temperature Uncertainty)	1.13	Rectangular	√3	0.23	0.26	0.2	0.2	∞
Liquid Permittivity (Measured)	2.50	Normal	1	0.23	0.26	0.6	0.7	54
<b>Combined Standard Uncertainty</b>						± 11.8 %	± 11.3 %	
<b>Expanded Uncertainty (K=2)</b>						± 23.6 %	± 22.6 %	

Body SAR Uncertainty Budget for Frequency Range of 300 MHz to 3 GHz

# FCC SAR Test Report

Source of Uncertainty	Uncertainty (± %)	Probability Distribution	Divisor	C <sub>i</sub> (1g)	C <sub>i</sub> (10g)	Standard Uncertainty (± %, 1g)	Standard Uncertainty (± %, 10g)	V <sub>i</sub>
<b>Measurement System</b>								
Probe Calibration	6.55	Normal	1	1	1	6.55	6.55	∞
Axial Isotropy	4.7	Rectangular	√3	0.7	0.7	1.9	1.9	∞
Hemispherical Isotropy	9.6	Rectangular	√3	0.7	0.7	3.9	3.9	∞
Boundary Effect	2.0	Rectangular	√3	1	1	1.2	1.2	∞
Linearity	4.7	Rectangular	√3	1	1	2.7	2.7	∞
Detection Limits	0.25	Rectangular	√3	1	1	0.14	0.14	∞
Probe Modulation Response	3.5	Rectangular	√3	1	1	2.0	2.0	∞
Readout Electronics	0.3	Normal	1	1	1	0.3	0.3	∞
Response Time	0.0	Rectangular	√3	1	1	0.0	0.0	∞
Integration Time	1.7	Rectangular	√3	1	1	1.0	1.0	∞
RF Ambient Conditions – Noise	3.0	Rectangular	√3	1	1	1.7	1.7	∞
RF Ambient Conditions – Reflections	3.0	Rectangular	√3	1	1	1.7	1.7	∞
Probe Positioner Mechanical Tolerance	0.4	Rectangular	√3	1	1	0.2	0.2	∞
Probe Positioning with Respect to Phantom	6.7	Rectangular	√3	1	1	3.9	3.9	∞
Post-processing	4.0	Rectangular	√3	1	1	2.3	2.3	∞
<b>Test Sample Related</b>								
Test Sample Positioning	4.38 / 1.35	Normal	1	1	1	4.4	1.4	29
Device Holder Uncertainty	2.9 / 4.1	Normal	1	1	1	2.9	4.1	11
Power Drift of Measurement	5.0	Rectangular	√3	1	1	2.9	2.9	∞
Power Scaling	0.0	Rectangular	√3	1	1	0.0	0.0	∞
<b>Phantom and Setup</b>								
Phantom Uncertainty (Shape and Thickness Tolerances)	7.6	Rectangular	√3	1	1	4.4	4.4	∞
Liquid Conductivity ( Temperature Uncertainty)	3.24	Rectangular	√3	0.78	0.71	1.5	1.3	∞
Liquid Conductivity (Measured)	2.88	Normal	1	0.78	0.71	2.2	2.0	43
Liquid Permittivity (Temperature Uncertainty)	1.13	Rectangular	√3	0.23	0.26	0.2	0.2	∞
Liquid Permittivity (Measured)	2.50	Normal	1	0.23	0.26	0.6	0.7	54
<b>Combined Standard Uncertainty</b>						± 12.8 %	± 12.4 %	
<b>Expanded Uncertainty (K=2)</b>						± 25.6 %	± 24.8 %	

## Body SAR Uncertainty Budget for Frequency Range of 3 GHz to 6 GHz

## 7. Information on the Testing Laboratories

We, Bureau Veritas Consumer Products Services (H.K.) Ltd., Taoyuan Branch, were founded in 1988 to provide our best service in EMC, Radio, Telecom and Safety consultation. Our laboratories are accredited and approved according to ISO/IEC 17025.

If you have any comments, please feel free to contact us at the following:

**Taiwan HwaYa EMC/RF/Safety/Telecom Lab:**

Add: No. 19, Hwa Ya 2nd Rd, Wen Hwa Vil., Kwei Shan Hsiang, Taoyuan Hsien 333, Taiwan, R.O.C.

Tel: 886-3-318-3232

Fax: 886-3-327-0892

**Taiwan LinKo EMC/RF Lab:**

Add: No. 47-2, 14th Ling, Chia Pau Vil., Linkou Dist., New Taipei City 244, Taiwan, R.O.C.

Tel: 886-2-2605-2180

Fax: 886-2-2605-1924

**Taiwan HsinChu EMC/RF Lab:**

Add: E-2, No.1, Li Hsin 1<sup>st</sup> Road, Hsinchu Science Park, Hsinchu City 30078, Taiwan, R.O.C.

Tel: 886-3-593-5343

Fax: 886-3-593-5342

**Email:** [service.adt@tw.bureauveritas.com](mailto:service.adt@tw.bureauveritas.com)

**Web Site:** [www.bureauveritas-adt.com](http://www.bureauveritas-adt.com)

The road map of all our labs can be found in our web site also.

---END---



## **Appendix A. SAR Plots of System Verification**

The plots for system verification with largest deviation for each SAR system combination are shown as follows.

### System Check\_B2450\_180317

**DUT: Dipole 2450 MHz; Type: D2450V2; SN: 737**

Communication System: CW; Frequency: 2450 MHz; Duty Cycle: 1:1

Medium: B19T27N1\_0317 Medium parameters used:  $f = 2450$  MHz;  $\sigma = 2.021$  S/m;  $\epsilon_r = 51.382$ ;  $\rho = 1000$  kg/m<sup>3</sup>

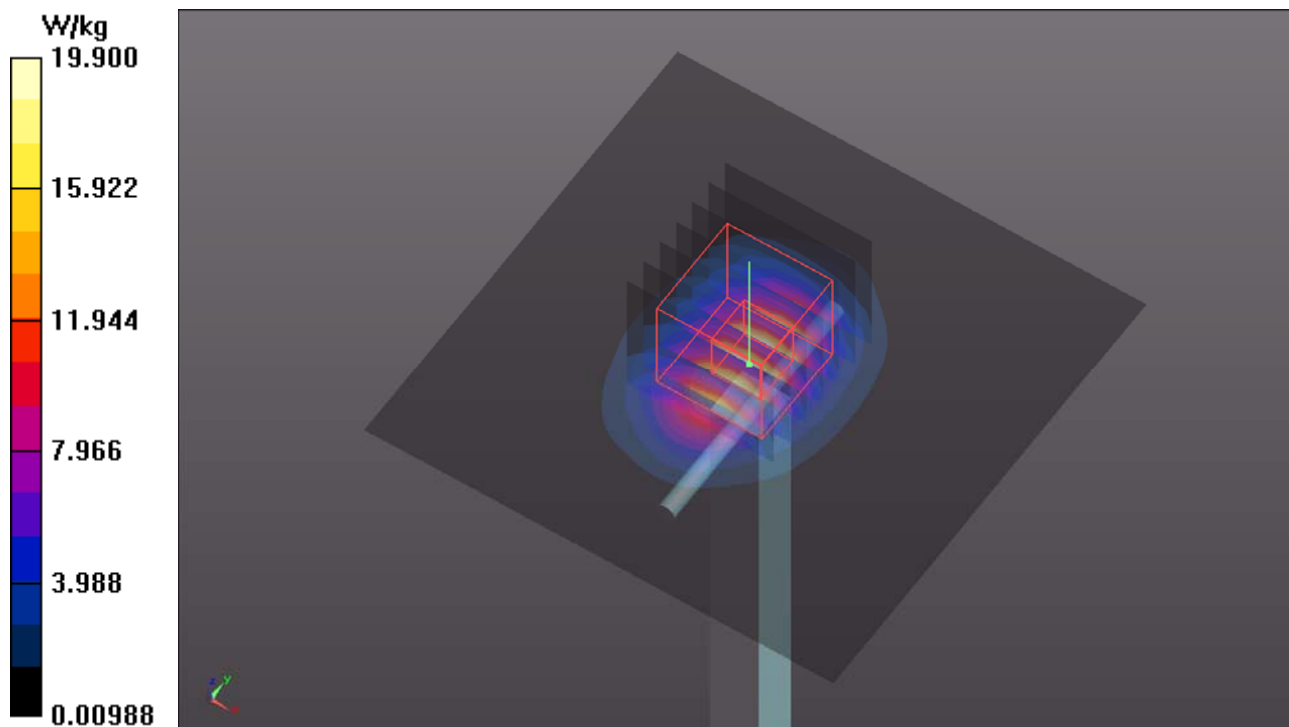
Ambient Temperature : 23.6 °C ; Liquid Temperature : 23.2 °C

DASY5 Configuration:

- Probe: EX3DV4 - SN7375; ConvF(7.83, 7.83, 7.83); Calibrated: 2017/12/18;
- Sensor-Surface: 1.4mm (Mechanical Surface Detection)
- Electronics: DAE4 Sn917; Calibrated: 2017/12/14
- Phantom: ELI Phantom\_1204; Type: QDOVA;
- Measurement SW: DASY52, Version 52.8 (8); SEMCAD X Version 14.6.10 (7373)

**Pin=250mW/Area Scan (81x81x1):** Interpolated grid: dx=1.200 mm, dy=1.200 mm  
Maximum value of SAR (interpolated) = 19.9 W/kg

**Pin=250mW/Zoom Scan (7x7x7)/Cube 0:** Measurement grid: dx=5mm, dy=5mm, dz=5mm  
Reference Value = 98.74 V/m; Power Drift = 0.05 dB  
Peak SAR (extrapolated) = 26.9 W/kg  
**SAR(1 g) = 12.9 W/kg; SAR(10 g) = 6.01 W/kg**  
Maximum value of SAR (measured) = 19.8 W/kg



### System Check\_B5250\_180328

**DUT: Dipole 5 GHz; Type: D5GHzV2; SN: 1019**

Communication System: CW; Frequency: 5250 MHz; Duty Cycle: 1:1

Medium: B34T60N1\_0328 Medium parameters used:  $f = 5250$  MHz;  $\sigma = 5.332$  S/m;  $\epsilon_r = 47.649$ ;  $\rho = 1000$  kg/m<sup>3</sup>

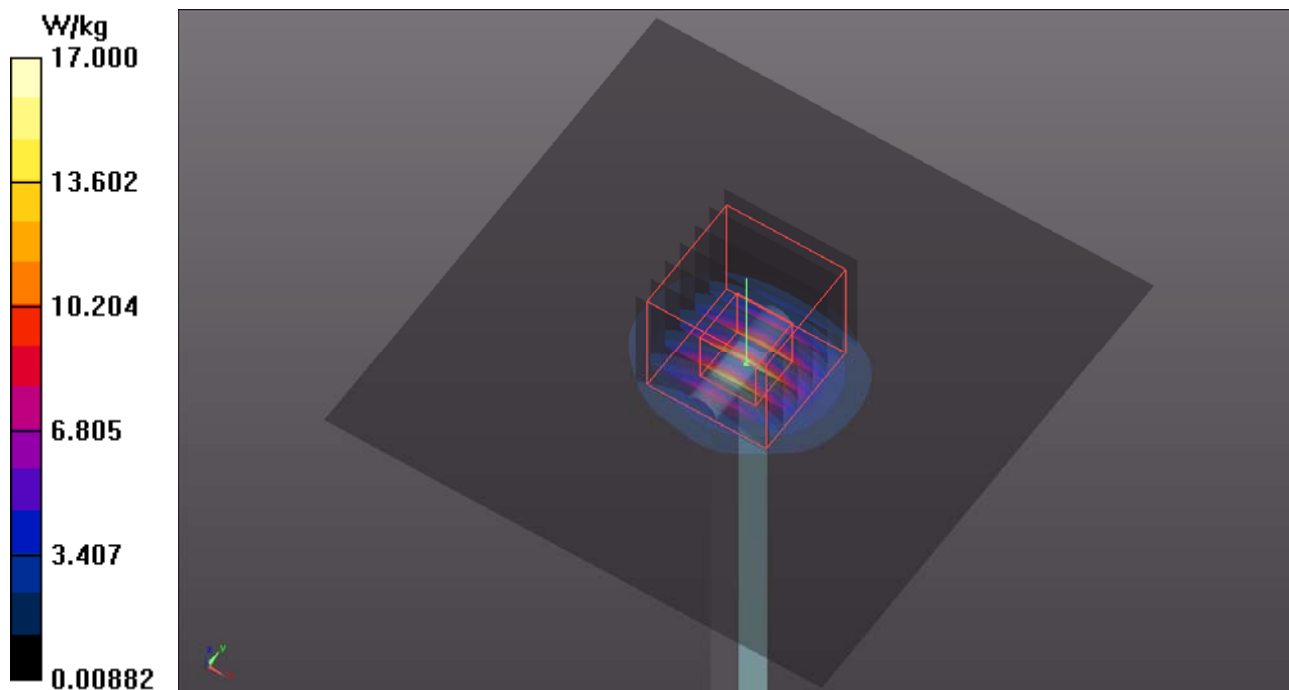
Ambient Temperature : 23.6 °C ; Liquid Temperature : 23.3 °C

DASY5 Configuration:

- Probe: EX3DV4 - SN3650; ConvF(5.28, 5.28, 5.28); Calibrated: 2017/07/24;
- Sensor-Surface: 1.4mm (Mechanical Surface Detection)
- Electronics: DAE4 Sn861; Calibrated: 2017/05/22
- Phantom: ELI Phantom\_1206; Type: QDOVA;
- Measurement SW: DASY52, Version 52.8 (8); SEMCAD X Version 14.6.10 (7373)

**Pin=100mW/Area Scan (91x91x1):** Interpolated grid: dx=1.000 mm, dy=1.000 mm  
Maximum value of SAR (interpolated) = 17.0 W/kg

**Pin=100mW/Zoom Scan (7x7x12)/Cube 0:** Measurement grid: dx=4mm, dy=4mm, dz=2mm  
Reference Value = 55.86 V/m; Power Drift = -0.17 dB  
Peak SAR (extrapolated) = 29.9 W/kg  
**SAR(1 g) = 7.22 W/kg; SAR(10 g) = 2.07 W/kg**  
Maximum value of SAR (measured) = 18.1 W/kg



### System Check\_B5600\_180328

**DUT: Dipole 5 GHz; Type: D5GHzV2; SN: 1019**

Communication System: CW; Frequency: 5600 MHz; Duty Cycle: 1:1

Medium: B34T60N1\_0328 Medium parameters used:  $f = 5600$  MHz;  $\sigma = 5.735$  S/m;  $\epsilon_r = 47.024$ ;  $\rho = 1000$  kg/m<sup>3</sup>

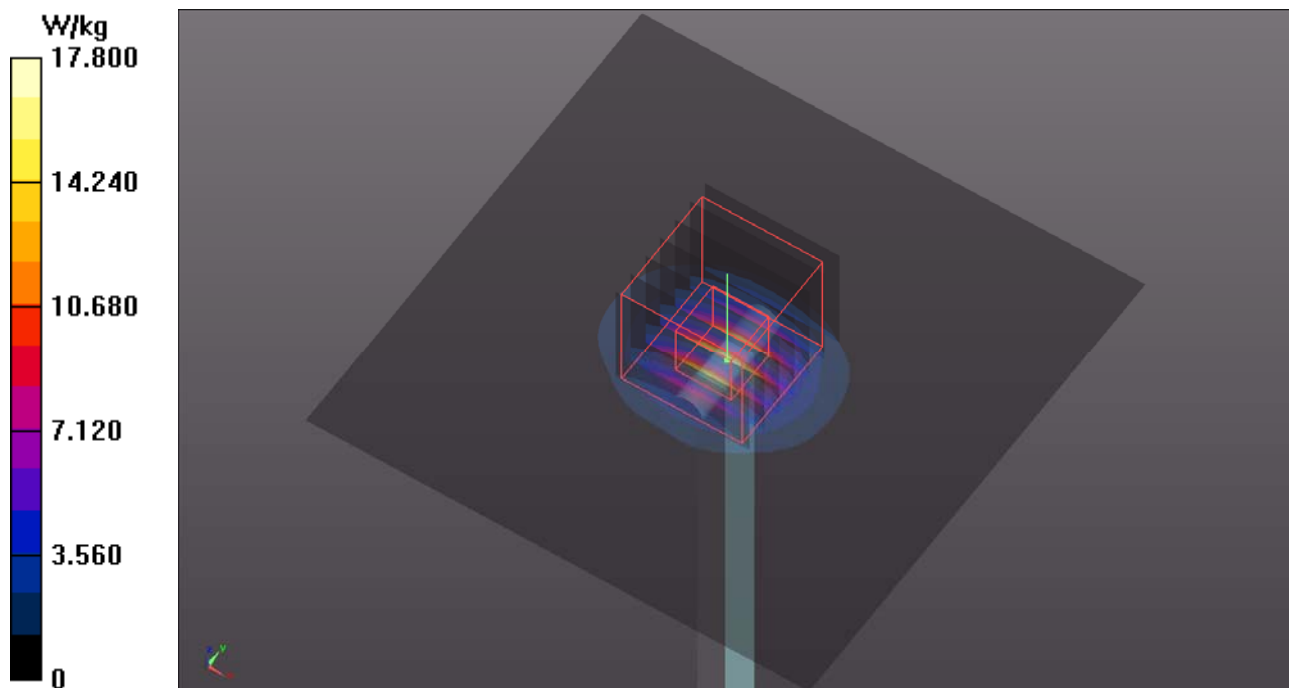
Ambient Temperature : 23.6 °C ; Liquid Temperature : 23.3 °C

DASY5 Configuration:

- Probe: EX3DV4 - SN3650; ConvF(4.29, 4.29, 4.29); Calibrated: 2017/07/24;
- Sensor-Surface: 1.4mm (Mechanical Surface Detection)
- Electronics: DAE4 Sn861; Calibrated: 2017/05/22
- Phantom: ELI Phantom\_1206; Type: QDOVA;
- Measurement SW: DASY52, Version 52.8 (8); SEMCAD X Version 14.6.10 (7373)

**Pin=100mW/Area Scan (91x91x1):** Interpolated grid: dx=1.000 mm, dy=1.000 mm  
Maximum value of SAR (interpolated) = 17.8 W/kg

**Pin=100mW/Zoom Scan (7x7x12)/Cube 0:** Measurement grid: dx=4mm, dy=4mm, dz=2mm  
Reference Value = 58.31 V/m; Power Drift = -0.13 dB  
Peak SAR (extrapolated) = 30.8 W/kg  
**SAR(1 g) = 7.41 W/kg; SAR(10 g) = 2.09 W/kg**  
Maximum value of SAR (measured) = 18.7 W/kg





### System Check\_B5800\_180328

**DUT: Dipole 5 GHz; Type: D5GHzV2; SN: 1019**

Communication System: CW; Frequency: 5800 MHz; Duty Cycle: 1:1

Medium: B34T60N1\_0328 Medium parameters used:  $f = 5800$  MHz;  $\sigma = 6.032$  S/m;  $\epsilon_r = 46.751$ ;  $\rho = 1000$  kg/m<sup>3</sup>

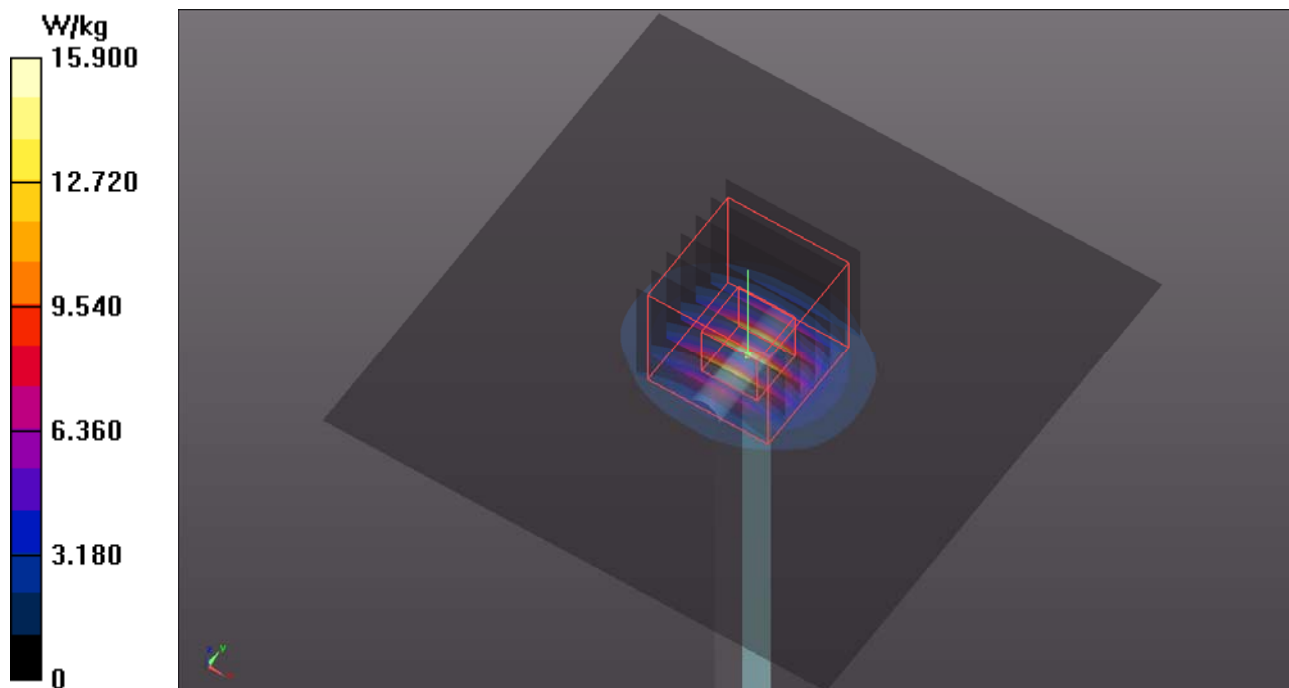
Ambient Temperature : 23.6 °C ; Liquid Temperature : 23.3 °C

DASY5 Configuration:

- Probe: EX3DV4 - SN3650; ConvF(4.61, 4.61, 4.61); Calibrated: 2017/07/24;
- Sensor-Surface: 1.4mm (Mechanical Surface Detection)
- Electronics: DAE4 Sn861; Calibrated: 2017/05/22
- Phantom: ELI Phantom\_1206; Type: QDOVA;
- Measurement SW: DASY52, Version 52.8 (8); SEMCAD X Version 14.6.10 (7373)

**Pin=100mW/Area Scan (91x91x1):** Interpolated grid: dx=1.000 mm, dy=1.000 mm  
Maximum value of SAR (interpolated) = 15.9 W/kg

**Pin=100mW/Zoom Scan (7x7x12)/Cube 0:** Measurement grid: dx=4mm, dy=4mm, dz=2mm  
Reference Value = 57.97 V/m; Power Drift = -0.13 dB  
Peak SAR (extrapolated) = 35.0 W/kg  
**SAR(1 g) = 7.97 W/kg; SAR(10 g) = 2.22 W/kg**  
Maximum value of SAR (measured) = 17.3 W/kg



### Appendix B. SAR Plots of SAR Measurement

The SAR plots for highest measured SAR in each exposure configuration, wireless mode and frequency band combination, and measured SAR > 1.5 W/kg are shown as follows.

### P01 WLAN 2.4G\_802.11b\_Top Side\_0cm\_Ch6\_Ant0

**DUT: 180227C17**

Communication System: WLAN\_2.4G; Frequency: 2437 MHz; Duty Cycle: 1:1

Medium: B19T27N1\_0317 Medium parameters used:  $f = 2437$  MHz;  $\sigma = 2.007$  S/m;  $\epsilon_r = 51.419$ ;  $\rho =$

$1000$  kg/m<sup>3</sup>

Ambient Temperature : 23.6 °C ; Liquid Temperature : 23.2 °C

DASY5 Configuration:

- Probe: EX3DV4 - SN7375; ConvF(7.83, 7.83, 7.83); Calibrated: 2017/12/18;
- Sensor-Surface: 1.4mm (Mechanical Surface Detection)
- Electronics: DAE4 Sn917; Calibrated: 2017/12/14
- Phantom: ELI Phantom\_1204; Type: QDOVA;
- Measurement SW: DASY52, Version 52.8 (8); SEMCAD X Version 14.6.10 (7373)

- **Area Scan (71x271x1):** Interpolated grid: dx=1.200 mm, dy=1.200 mm

Maximum value of SAR (interpolated) = 0.571 W/kg

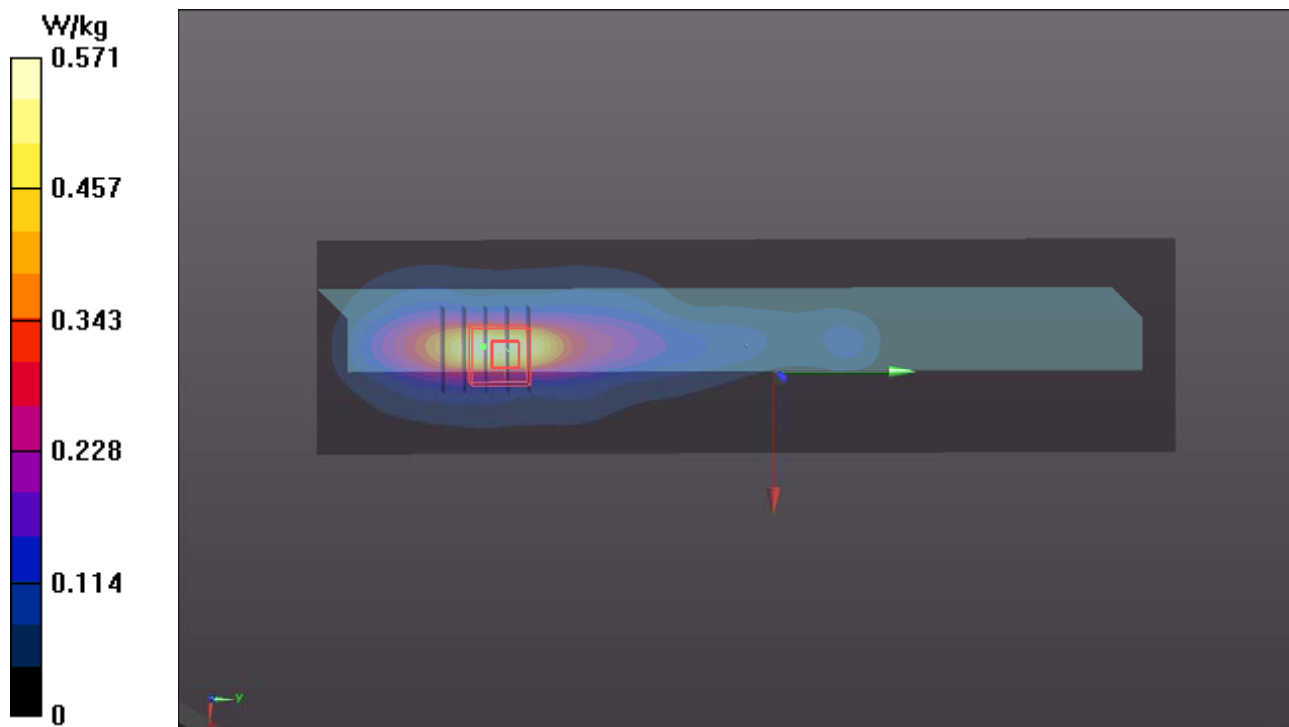
- **Zoom Scan (5x5x7)/Cube 0:** Measurement grid: dx=8mm, dy=8mm, dz=5mm

Reference Value = 17.19 V/m; Power Drift = -0.09 dB

Peak SAR (extrapolated) = 1.21 W/kg

**SAR(1 g) = 0.499 W/kg; SAR(10 g) = 0.202 W/kg**

Maximum value of SAR (measured) = 0.835 W/kg



### P02 WLAN 5G\_802.11a\_Top Side\_0cm\_Ch60\_Ant1

**DUT: 180227C17**

Communication System: WLAN\_5G; Frequency: 5300 MHz; Duty Cycle: 1:1

Medium: B34T60N1\_0312 Medium parameters used:  $f = 5300$  MHz;  $\sigma = 5.573$  S/m;  $\epsilon_r = 49.2$ ;  $\rho = 1000$  kg/m<sup>3</sup>

Ambient Temperature : 23.6 °C ; Liquid Temperature : 23.1 °C

DASY5 Configuration:

- Probe: EX3DV4 - SN3578; ConvF(4.98, 4.98, 4.98); Calibrated: 2017/05/05;
- Sensor-Surface: 1.4mm (Mechanical Surface Detection)
- Electronics: DAE3 Sn360; Calibrated: 2017/11/02
- Phantom: ELI Phantom\_1206; Type: QDOVA;
- Measurement SW: DASY52, Version 52.8 (8); SEMCAD X Version 14.6.10 (7373)

- **Area Scan (81x321x1):** Interpolated grid: dx=1.000 mm, dy=1.000 mm

Maximum value of SAR (interpolated) = 1.90 W/kg

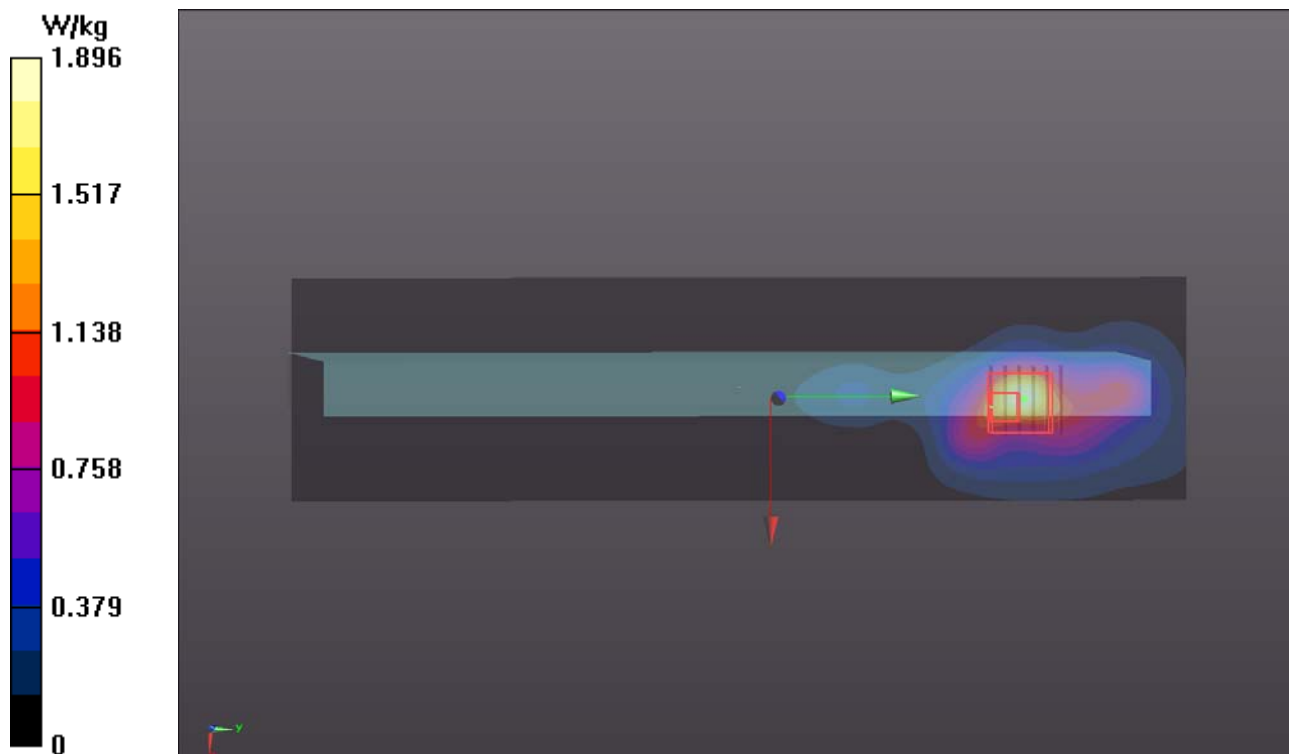
- **Zoom Scan (6x6x12)/Cube 0:** Measurement grid: dx=5mm, dy=5mm, dz=2mm

Reference Value = 16.77 V/m; Power Drift = -0.15 dB

Peak SAR (extrapolated) = 8.11 W/kg

**SAR(1 g) = 1.17 W/kg; SAR(10 g) = 0.424 W/kg**

Maximum value of SAR (measured) = 4.09 W/kg



### P03 WLAN 5G\_802.11n HT20\_Top Side\_0cm\_Ch116\_Ant0+1

**DUT: 180227C17**

Communication System: WLAN\_5G; Frequency: 5580 MHz; Duty Cycle: 1:1

Medium: B34T60N1\_0312 Medium parameters used:  $f = 5580$  MHz;  $\sigma = 5.82$  S/m;  $\epsilon_r = 46.602$ ;  $\rho = 1000$  kg/m<sup>3</sup>

Ambient Temperature : 23.6 °C ; Liquid Temperature : 23.1 °C

DASY5 Configuration:

- Probe: EX3DV4 - SN3578; ConvF(4.3, 4.3, 4.3); Calibrated: 2017/05/05;
- Sensor-Surface: 1.4mm (Mechanical Surface Detection)
- Electronics: DAE3 Sn360; Calibrated: 2017/11/02
- Phantom: ELI Phantom\_1206; Type: QDOVA;
- Measurement SW: DASY52, Version 52.8 (8); SEMCAD X Version 14.6.10 (7373)

- **Area Scan (81x321x1):** Interpolated grid: dx=1.000 mm, dy=1.000 mm

Maximum value of SAR (interpolated) = 1.67 W/kg

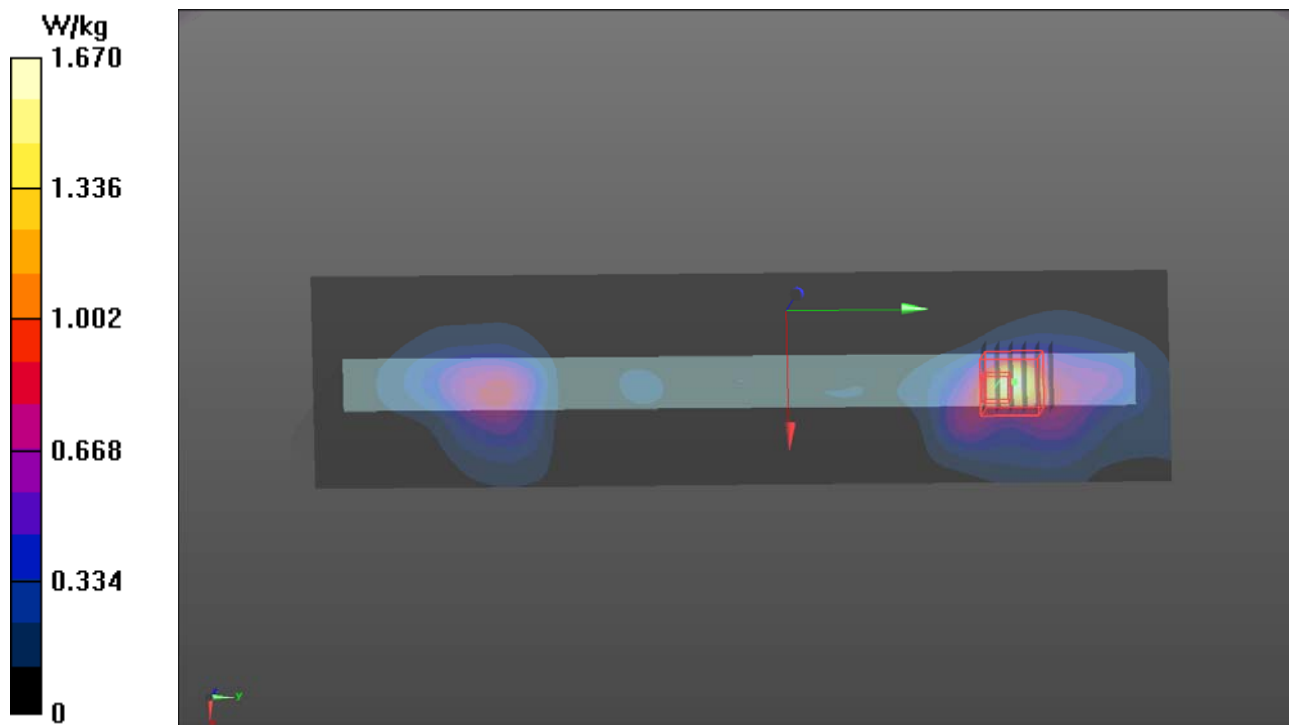
- **Zoom Scan (6x6x12)/Cube 0:** Measurement grid: dx=5mm, dy=5mm, dz=2mm

Reference Value = 18.06 V/m; Power Drift = -0.17 dB

Peak SAR (extrapolated) = 3.62 W/kg

**SAR(1 g) = 0.763 W/kg; SAR(10 g) = 0.303 W/kg**

Maximum value of SAR (measured) = 1.85 W/kg



### P04 WLAN 5G\_802.11a\_Top Side\_0cm\_Ch161\_Ant1

**DUT: 180227C17**

Communication System: WLAN\_5G; Frequency: 5805 MHz; Duty Cycle: 1:1

Medium: B34T60N1\_0312 Medium parameters used:  $f = 5805$  MHz;  $\sigma = 6.23$  S/m;  $\epsilon_r = 48.461$ ;  $\rho = 1000$  kg/m<sup>3</sup>

Ambient Temperature : 23.6 °C ; Liquid Temperature : 23.1 °C

DASY5 Configuration:

- Probe: EX3DV4 - SN3578; ConvF(4.48, 4.48, 4.48); Calibrated: 2017/05/05;
- Sensor-Surface: 1.4mm (Mechanical Surface Detection)
- Electronics: DAE3 Sn360; Calibrated: 2017/11/02
- Phantom: ELI Phantom\_1206; Type: QDOVA;
- Measurement SW: DASY52, Version 52.8 (8); SEMCAD X Version 14.6.10 (7373)

- **Area Scan (81x321x1):** Interpolated grid: dx=1.000 mm, dy=1.000 mm

Maximum value of SAR (interpolated) = 2.34 W/kg

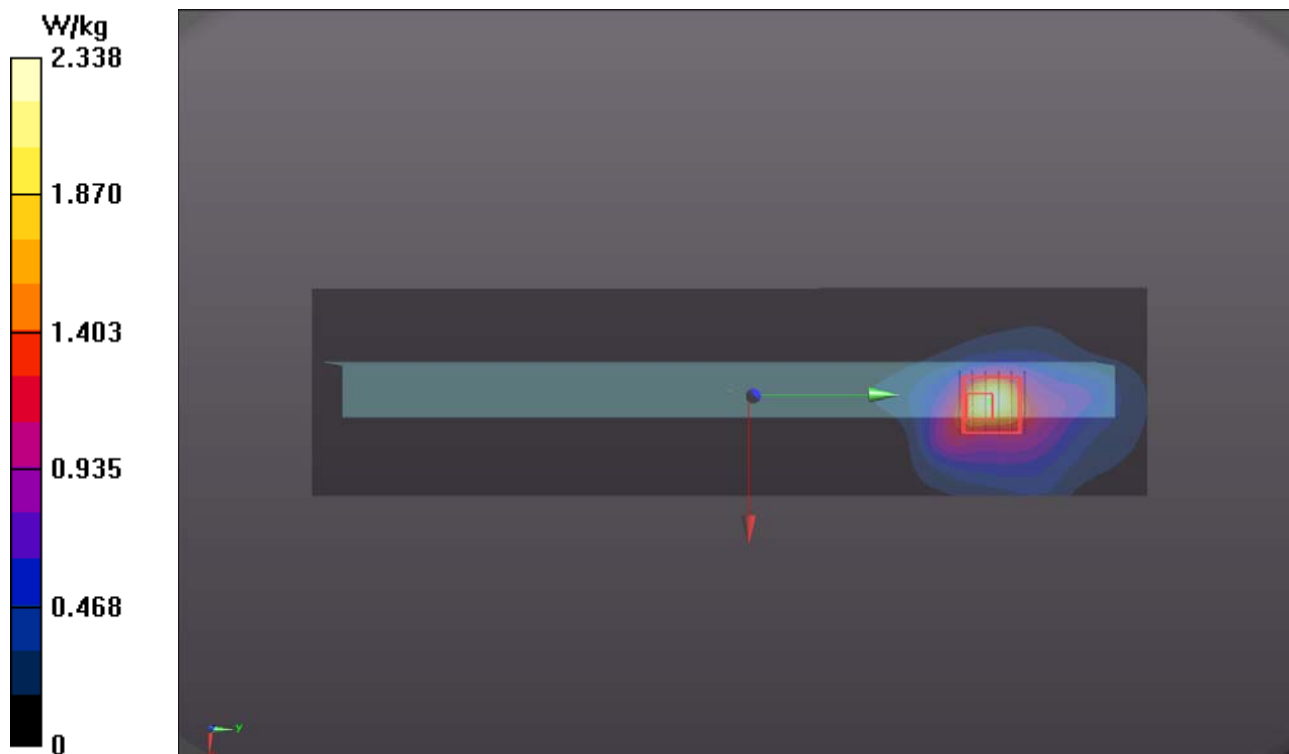
- **Zoom Scan (6x6x12)/Cube 0:** Measurement grid: dx=5mm, dy=5mm, dz=2mm

Reference Value = 17.90 V/m; Power Drift = -0.11 dB

Peak SAR (extrapolated) = 6.16 W/kg

**SAR(1 g) = 1.15 W/kg; SAR(10 g) = 0.460 W/kg**

Maximum value of SAR (measured) = 3.13 W/kg



### P05 BT\_EDR\_Top Side\_0cm\_Ch39\_Ant1

**DUT: 180227C17**

Communication System: BT; Frequency: 2441 MHz; Duty Cycle: 1:1

Medium: B19T27N2\_0314 Medium parameters used:  $f = 2441$  MHz;  $\sigma = 2.013$  S/m;  $\epsilon_r = 50.736$ ;  $\rho = 1000$  kg/m<sup>3</sup>

Ambient Temperature : 23.9 °C ; Liquid Temperature : 23.6 °C

DASY5 Configuration:

- Probe: EX3DV4 - SN7375; ConvF(7.83, 7.83, 7.83); Calibrated: 2017/12/18;
- Sensor-Surface: 1.4mm (Mechanical Surface Detection)
- Electronics: DAE4 Sn917; Calibrated: 2017/12/14
- Phantom: ELI Phantom\_1204; Type: QDOVA;
- Measurement SW: DASY52, Version 52.8 (8); SEMCAD X Version 14.6.10 (7373)

- **Area Scan (71x271x1):** Interpolated grid: dx=1.200 mm, dy=1.200 mm

Maximum value of SAR (interpolated) = 0.0301 W/kg

- **Zoom Scan (5x5x7)/Cube 0:** Measurement grid: dx=8mm, dy=8mm, dz=5mm

Reference Value = 3.792 V/m; Power Drift = -0.04 dB

Peak SAR (extrapolated) = 0.0480 W/kg

**SAR(1 g) = 0.019 W/kg; SAR(10 g) = 0.00782 W/kg**

Maximum value of SAR (measured) = 0.0280 W/kg

