

6

5

4

3

2

1

REVISION RECORD			
LTR	ECO NO:	APPROVED:	DATE:

D

C

B

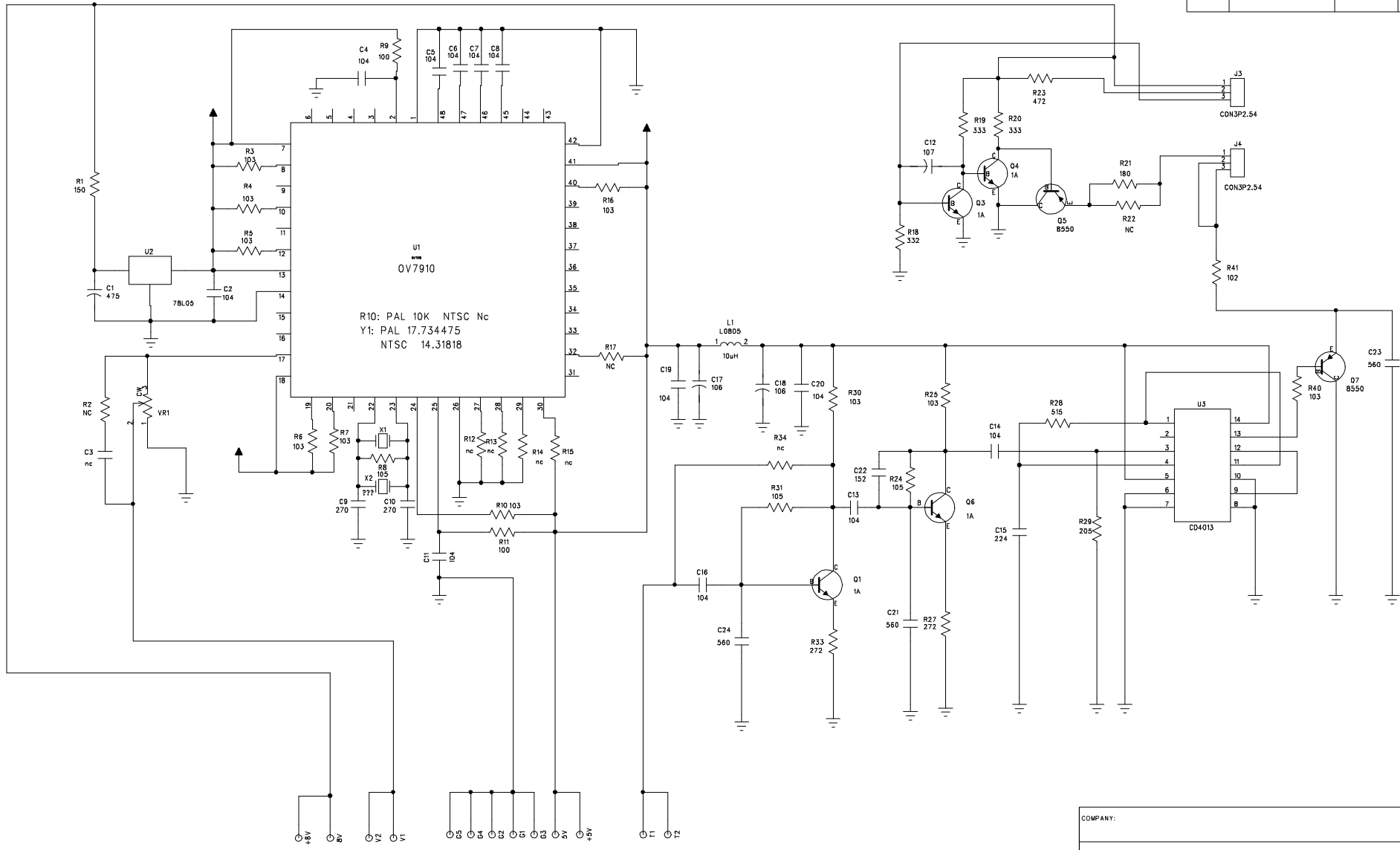
A

D

C

B

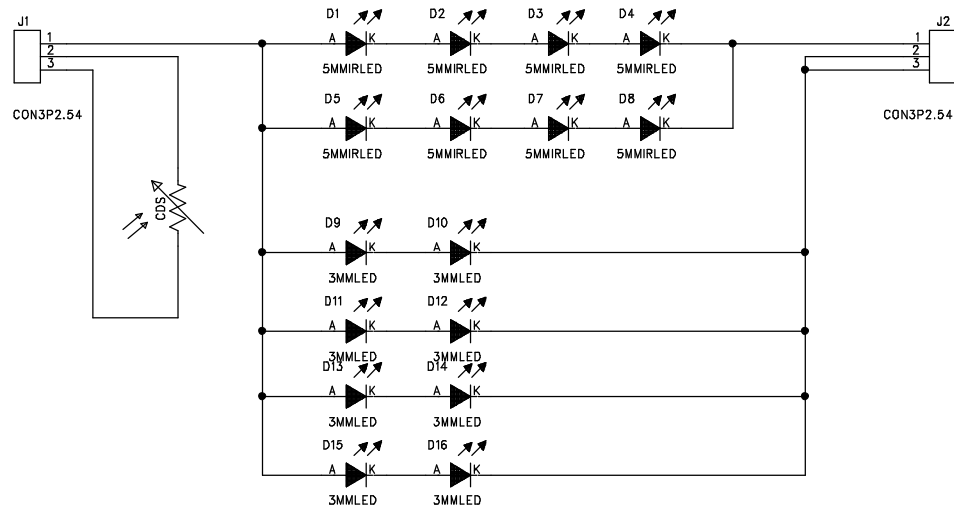
A



COMPANY: _____
 TITLE: _____

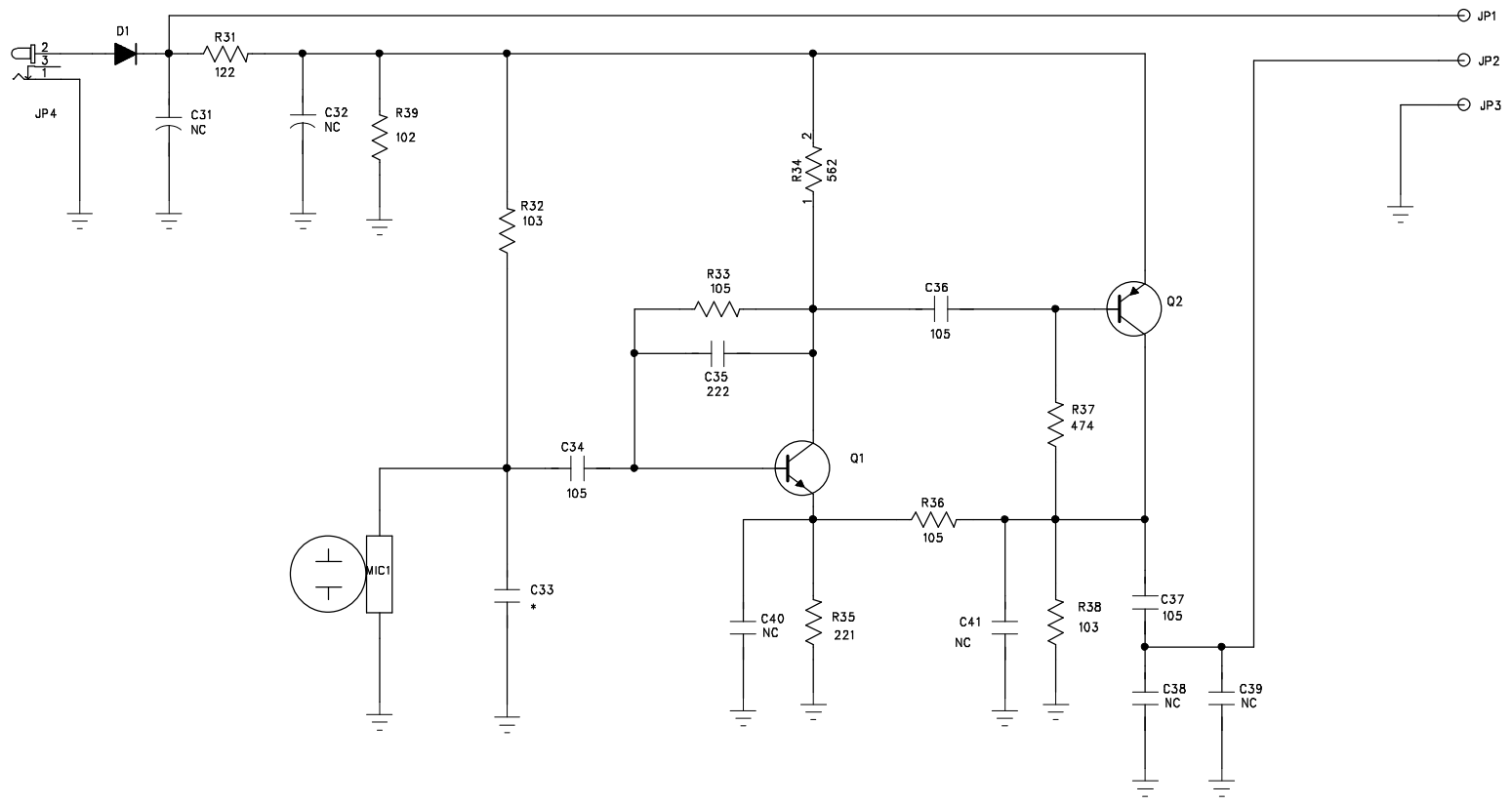
A	FIRST RELEASED	MAR 05 04
REVISION	UPDATED DESCRIPTION	ISSUE DATE

DRAWN:	DATED:	CODE:			SIZE:	DRAWING NO:	REV:
CHECKED:	DATED:	SCALE:			SHEET: OF		
QUALITY CONTROL:	DATED:						
RELEASED:	DATED:						



TITLE		SCHEMATIC DIAGRAM	
DOC NO:		DEPARTMENT:R&D	
MODEL NO.: ZT-819T		DRAWN:	
CAD REF.: V819IR00.SCH		CHKD:	
PAGE 1 OF 1		APRD:	

A	FIRST RELEASED	MAR 05 04
REVISION	UPDATED DESCRIPTION	ISSUE DATE



A	FIRST RELEASED	05/07/27
REVISION	UPDATED DESCRIPTION	ISSUE DATE

TITLE SCHEMATIC DIAGRAM	
DOC NO.:	DEPARTMENT:R&D
MODEL NO.: ZT-819T	DRAWN:
CAD REF.: V819PW00.SCH	CHKD:
PAGE 1 OF 1	APRD:

