



FCC RADIO TEST REPORT

FCC ID : TV7CUBE60
Equipment : RBCube-60ad
Brand Name : MikroTik
Model Name : RBCube-60ad
Applicant : Mikrotikls SIA
Brivibas gatve 214i, Riga, LV-1039 Latvia
Manufacturer : MIKROTIKLS SIA
Brivibas gatve 214i, Riga, LV-1039 Latvia
Standard : 47 CFR FCC Part 15.255

The product was received on Jul. 29, 2019, and testing was started from Aug. 08, 2019 and completed on Aug. 28, 2019. We, SPORTON INTERNATIONAL INC. EMC & Wireless Communications Laboratory, would like to declare that the tested sample has been evaluated in accordance with the procedures given in ANSI C63.10-2013, 47 CFR FCC Part 15.255, Millimeter Wave Test Procedures, FCC KDB 414788 D01 v01r01 and shown compliance with the applicable technical standards.

The report must not be used by the client to claim product certification, approval, or endorsement by TAF or any agency of government.

The test results in this report apply exclusively to the tested model / sample. Without written approval of SPORTON INTERNATIONAL INC. EMC & Wireless Communications Laboratory, the test report shall not be reproduced except in full.


Approved by: Cliff Chang

SPORTON INTERNATIONAL INC. EMC & Wireless Communications Laboratory
No. 52, Huaya 1st Rd., Guishan Dist., Taoyuan City, Taiwan (R.O.C.)



Table of Contents

History of this test report.....3

Summary of Test Result.....4

1 General Description5

1.1 Information.....5

1.2 Applicable Standards7

1.3 Testing Location7

2 Test Configuration of Equipment under Test.....8

2.1 Test Channel Frequencies8

2.2 Conformance Tests and Related Test Frequencies.....8

2.3 EUT Operation during Test9

2.4 Accessories9

2.5 Support Equipment.....9

2.6 Far Field Boundary Calculations10

2.7 Test Setup Diagram11

3 Transmitter Test Result13

3.1 AC Power Conducted Emissions13

3.2 Occupied Bandwidth18

3.3 EIRP Power25

3.4 Peak Conducted Power.....28

3.5 Transmitter Spurious Emissions.....30

3.6 Frequency Stability45

3.7 Operation Restriction and Group Installation48

4 Test Equipment and Calibration Data49

5 Measurement Uncertainty51

Appendix A. Test Photos

Photographs of EUT v01



Summary of Test Result

Report Clause	Ref Std. Clause	Test Items	Result (PASS/FAIL)	Remark
3.1	FCC 15.207	AC Power Conducted Emissions	PASS	-
3.2	FCC 15.255(e)	Occupied Bandwidth	PASS	-
3.3	FCC 15.255(c)	EIRP Power	PASS	-
3.4	FCC 15.255(c)	Peak Conducted Power	PASS	-
3.5	FCC 15.255(d)	Transmitter Spurious Emissions	PASS	-
3.6	FCC 15.255(f)	Frequency Stability	PASS	-
3.7	FCC 15.255(a), (h)	Operation Restriction and Group Installation	PASS	-

Declaration of Conformity:

The test results with all measurement uncertainty excluded are presented in accordance with the regulation limits or requirements declared by manufacturers.

Comments and Explanations:

The declared of product specification for EUT presented in the report are provided by the manufacturer, and the manufacturer takes all the responsibilities for the accuracy of product specification.

Reviewed by: **Sam Chen**

Report Producer: **Wendy Pan**



1 General Description

1.1 Information

1.1.1 The Channel Plan(s)

RF General Information	
Frequency Range	57-71 GHz
The Channel Plan(s)	Channel 1: 58.32 GHz Channel 2: 60.48 GHz Channel 3: 62.64 GHz Channel 4: 64.80 GHz

1.1.2 Modulation

IEEE 802.11ad Modulation Scheme

MCS Index	Modulation	Code rate	Data rate (Mbit/s)
0	$\pi/2$ -BPSK	1/2	27.5
1	$\pi/2$ -BPSK	1/2	385
2	$\pi/2$ -BPSK	1/2	770
3	$\pi/2$ -BPSK	5/8	962.5
4	$\pi/2$ -BPSK	3/4	1155
5	$\pi/2$ -BPSK	13/16	1251.25
6	$\pi/2$ -QPSK	1/2	1540
7	$\pi/2$ -QPSK	5/8	1925
8	$\pi/2$ -QPSK	3/4	2310
9	$\pi/2$ -QPSK	13/16	2502.5
10	$\pi/2$ -16QAM	1/2	3080
11	$\pi/2$ -16QAM	5/8	3850
12	$\pi/2$ -16QAM	3/4	4620
12.1	$\pi/2$ -16QAM	13/16	5005

1.1.3 Antenna Information

Ant.	Brand	Model Name	Antenna Type	Connector	Gain (dBi)
1	Mikrotik	60G-phased-array	Dish	N/A	30

Note: The above information was declared by manufacturer.



1.1.4 Power Levels

Applicable power levels	<input type="checkbox"/> Conducted <input checked="" type="checkbox"/> EIRP	
Frequency (GHz)	Highest (P _{high}):	
	AV Power (dBm)	Peak Power (dBm)
58.32	34.68	35.76
60.48	34.94	36.00
62.64	32.26	33.24
64.80	24.98	26.03

1.1.5 Operating Conditions

Operating Conditions	
<input checked="" type="checkbox"/> -35 °C to +50 °C	
<input type="checkbox"/> 0 °C to +40 °C	
<input type="checkbox"/> Other:	
EUT Power Type	From Host System

1.1.6 Equipment Use Condition

Equipment Use Condition
<input type="checkbox"/> Fixed field disturbance sensors at 61-61.5GHz
<input type="checkbox"/> Except fixed field disturbance sensors at 61-61.5GHz
<input checked="" type="checkbox"/> Except fixed field disturbance sensors

1.1.7 User Condition

Intended Operation
<input checked="" type="checkbox"/> Indoor & Outdoor (fixed Point to Point & Point-to-multipoint)

Note: The above information was declared by manufacturer.



1.2 Applicable Standards

According to the specifications of the manufacturer, the EUT must comply with the requirements of the following standards:

- ♦ 47 CFR FCC Part 15.255
- ♦ ANSI C63.10-2013 Section 9. "Procedures for testing millimeter-wave systems"

1.3 Testing Location

Testing Location		
<input type="checkbox"/>	HWA YA	ADD : No. 52, Huaya 1st Rd., Guishan Dist., Taoyuan City, Taiwan (R.O.C.) TEL : 886-3-327-3456 FAX : 886-3-327-0973
<input checked="" type="checkbox"/>	JHUBEI	ADD : No.8, Lane 724, Bo-ai St., Jhubei City, HsinChu County 302, Taiwan, R.O.C. TEL : 886-3-656-9065 FAX : 886-3-656-9085

Test Condition	Test Site No.	Test Engineer	Test Environment	Test Date
AC Conduction	CO02-CB	Rick Yeh	24~26°C / 45~47%	Aug. 28, 2019
Radiated	03CH05-CB	KJ Chang	24.7~25.6°C / 63~67%	Aug. 12, 2019 ~ Aug. 13, 2019
RF Conducted	TH03-CB	Eddie Weng	25~26.8°C / 61~64%	Aug 08, 2019 ~ Aug. 15, 2019

Test site Designation No. TW0006 with FCC.
 Test site registered number IC 4086D with Industry Canada.



2 Test Configuration of Equipment under Test

2.1 Test Channel Frequencies

Test Channel Frequencies Configuration			
Channel 1 (GHz)	Channel 2 (GHz)	Channel 3 (GHz)	Channel 4 (GHz)
58.32	60.48	62.64	64.80

2.2 Conformance Tests and Related Test Frequencies

Test Item	Test Frequencies (GHz)
AC Power Conducted Emissions	60.48
Occupied Bandwidth	58.32/60.48/62.64/64.80
EIRP Power	58.32/60.48/62.64/64.80
Peak Conducted Power	58.32/60.48/62.64/64.80
Transmitter Spurious Emissions (below 1 GHz)	60.48
Transmitter Spurious Emissions (1 GHz-40 GHz)	58.32/60.48/62.64/64.80
Transmitter Spurious Emissions (above 40 GHz)	58.32/60.48/62.64/64.80
Frequency Stability	58.32/60.48/62.64/64.80

Note: The EUT can only be used at Y axis.



2.3 EUT Operation during Test

During the test, executed the test program to control the EUT continuously transmit RF signal.

2.4 Accessories

N/A

2.5 Support Equipment

For AC Conduction test:

Support Equipment				
No.	Equipment	Brand Name	Model Name	FCC ID
A	PoE	MikroTik	RBGPOE	N/A

For Radiated tests:

Support Equipment				
No.	Equipment	Brand Name	Model Name	FCC ID
B	PoE	Mikro Tik	RBGPOE	N/A

For RF Conducted tests:

Support Equipment				
No.	Equipment	Brand Name	Model Name	FCC ID
A	Notebook	DELL	E4300	N/A
B	PoE	Mikro Tik	RBGPOE	N/A



2.6 Far Field Boundary Calculations

The far-field boundary is given as:

$$\text{far field} = (2 * L^2) / \lambda$$

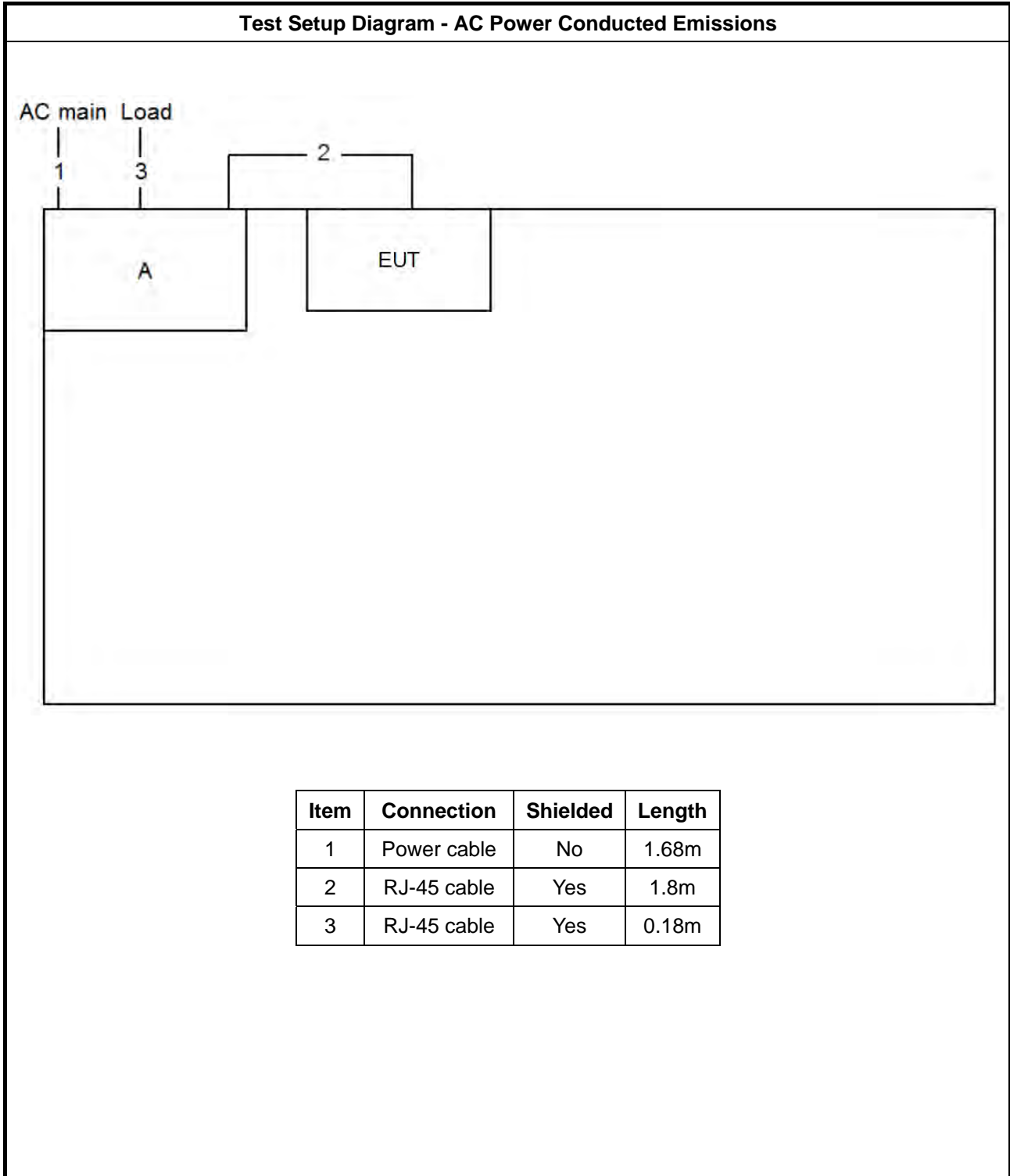
where:

L = Largest Antenna Dimension, including the reflector, in meters

λ = wavelength in meters

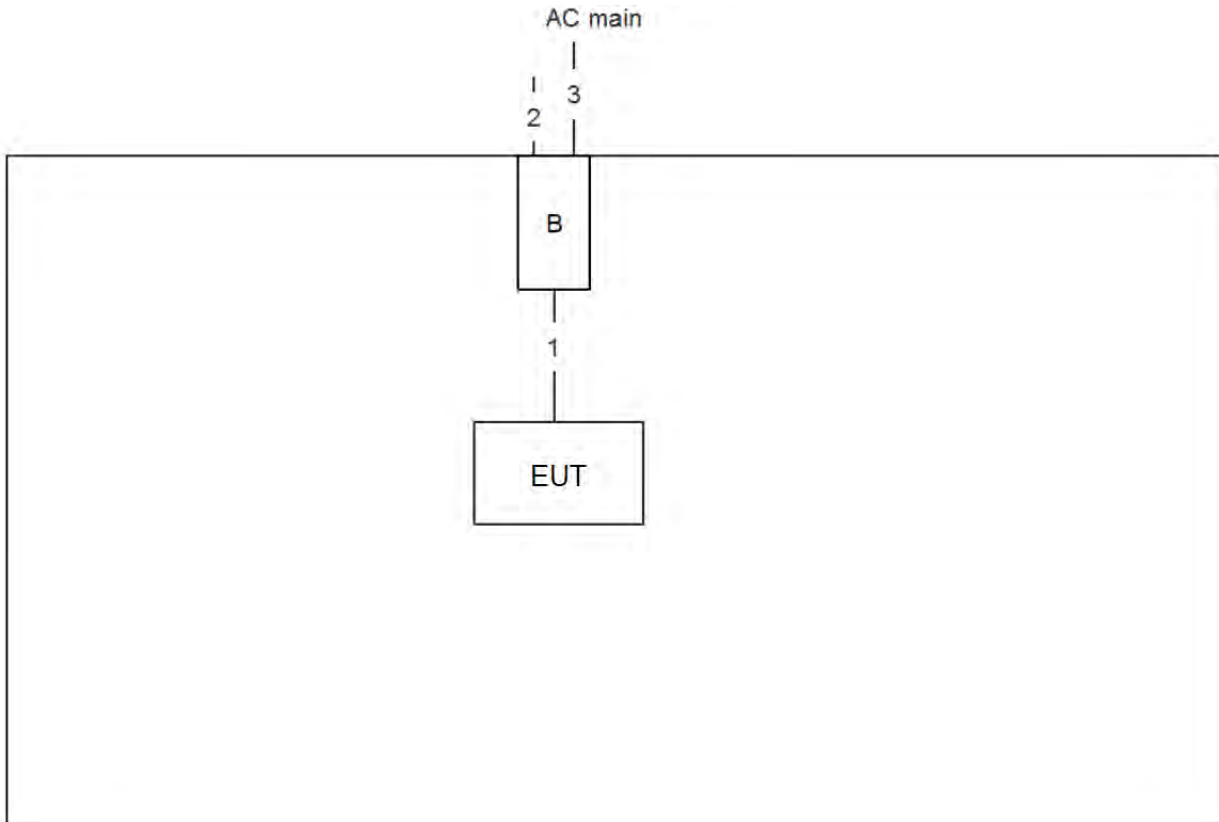
Far Field (m)				
Frequency (GHz)	L (m)	Lambda (m)	d(Far Field) (m)	d(Far Field) (cm)
58.32	0.07	0.0051440	1.905	190.51
60.48	0.07	0.0049603	1.976	197.57
62.64	0.07	0.0047893	2.046	204.62
64.80	0.07	0.0046296	2.117	211.68

2.7 Test Setup Diagram





Test Setup Diagram - Transmitter Spurious Emissions



Item	Connection	Shielded	Length
1	RJ-45 cable	Yes	1.8m
2	RJ-45 cable	Yes	0.18m
3	Power cable	No	1.68m



3 Transmitter Test Result

3.1 AC Power Conducted Emissions

3.1.1 Limit of AC Power Conducted Emissions

AC Power Conducted Emissions Limit		
Frequency Emission (MHz)	Quasi-Peak	Average
0.15-0.5	66 - 56 *	56 - 46 *
0.5-5	56	46
5-30	60	50

Note: * Decreases with the logarithm of the frequency.

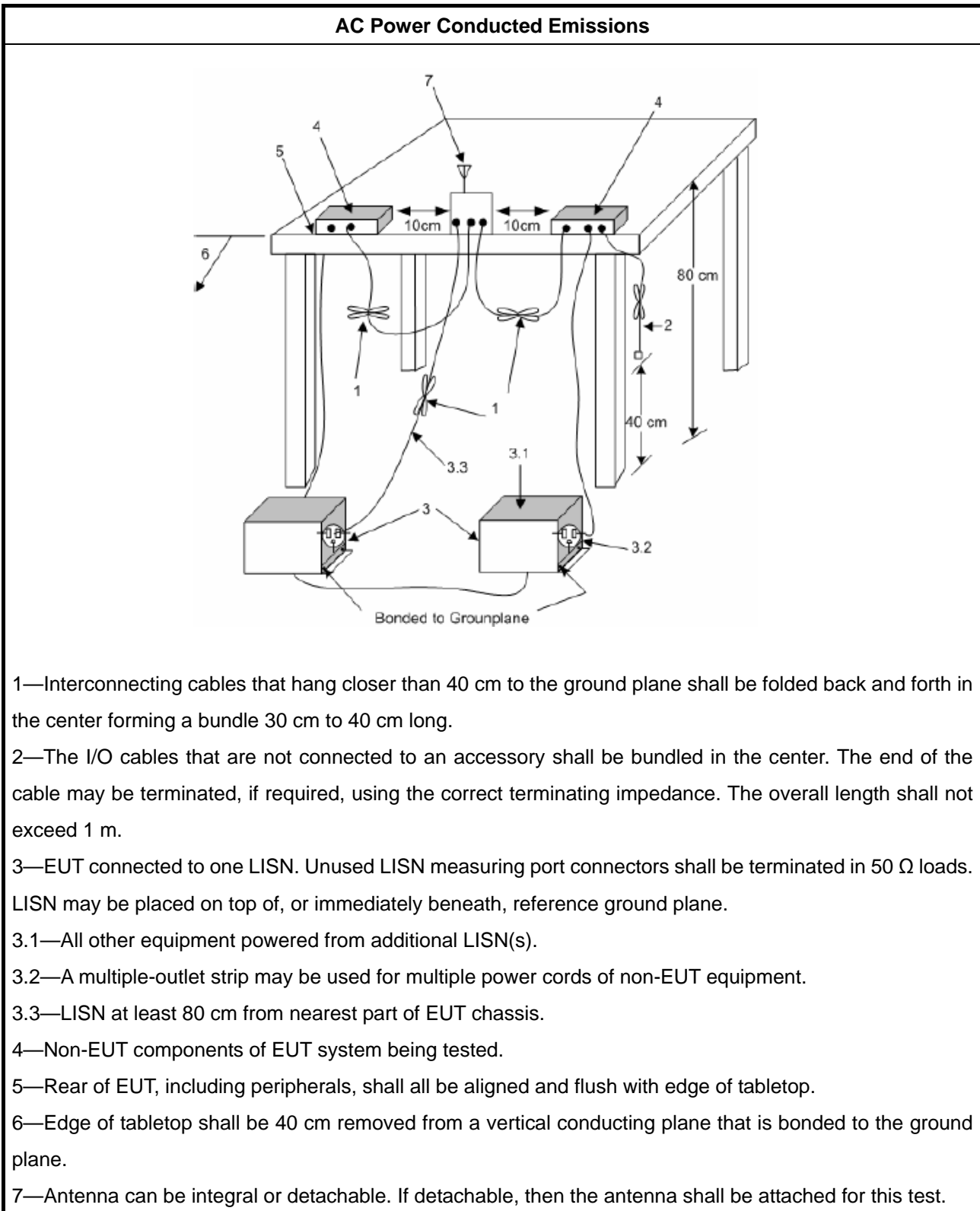
3.1.2 Measuring Instruments

Refer a measuring instruments list in this test report.

3.1.3 Test Procedures

Method of measurement: Refer as ANSI C63.10-2013, clause 6.2.

3.1.4 Test Setup





3.1.5 Test Result of AC Power Conducted Emissions

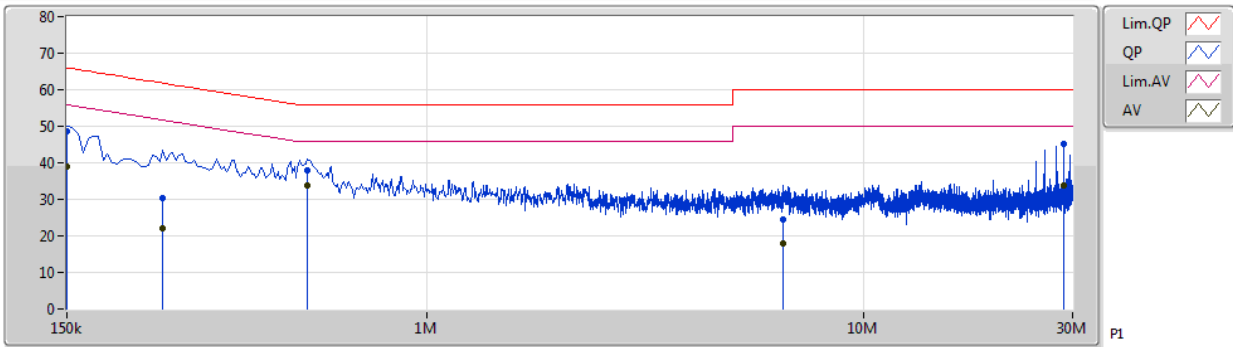
Test Conditions	see ANSI C63.10, clause 5.11
Test Setup	see ANSI C63.10, clause 6.2.3
<p>NOTE 1: If equipment having different channel plan and nominal channel bandwidth modes (see test report clause 1.1.1), the measurements are uninfluenced by different channel plan and nominal channel bandwidth modes, may not need to be repeated for all modes. If equipment having different transmit operating modes (see test report clause 1.1.2), the measurements are uninfluenced by different transmit operating modes, may not need to be repeated for all the operating modes. Similar, if the equipment supports different modulations and/or data rates, the measurements described in ANSI C63.10, clause 5.12 may not need to be repeated for all these modulations and data rates. Simple comparison of engineering test across all operating modes, modulations and data rates may need to be performed to define the worse case combination to be used for the conformance testing.</p> <p>NOTE 2: ">20dB" means the tables in this clause should only list values of spurious emissions that exceed the level of 20 dB below the applicable limit, see ANSI C63.4, clause 10.1.8.1.</p>	



Phase	Line	Configuration	CTX
-------	------	---------------	-----

Mode 1

28/08/2019



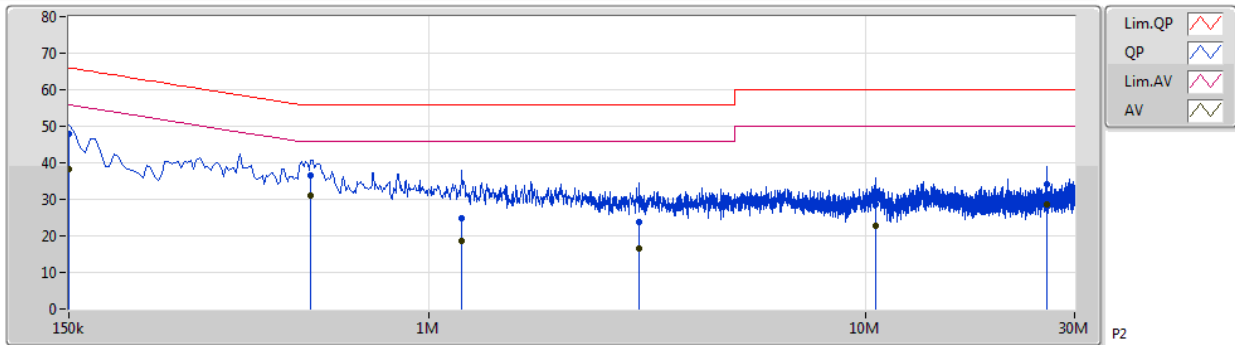
Type	Freq (Hz)	Level (dBuV)	Limit (dBuV)	Margin (dB)	Factor (dB)	Condition	Comment	Raw (dBuV)	AF (dB)	CL (dB)	AT (dB)
QP	150k	48.66	66.00	-17.34	10.17	Line	-	38.49	0.05	0.02	10.10
AV	150k	38.97	56.00	-17.03	10.17	Line	-	28.80	0.05	0.02	10.10
QP	150k	48.66	66.00	-17.34	10.17	Line	-	38.49	0.05	0.02	10.10
AV	150k	38.99	56.00	-17.01	10.17	Line	-	28.82	0.05	0.02	10.10
QP	249k	30.23	61.79	-31.56	10.17	Line	-	20.06	0.05	0.02	10.10
AV	249k	22.07	51.79	-29.72	10.17	Line	-	11.90	0.05	0.02	10.10
QP	532.5k	38.02	56.00	-17.98	10.18	Line	-	27.84	0.06	0.02	10.10
AV	532.5k	33.65	46.00	-12.35	10.18	Line	"Worst"	23.47	0.06	0.02	10.10
QP	6.527M	24.40	60.00	-35.60	10.34	Line	-	14.06	0.16	0.07	10.11
AV	6.527M	17.89	50.00	-32.11	10.34	Line	-	7.55	0.16	0.07	10.11
QP	28.554M	45.12	60.00	-14.88	10.74	Line	-	34.38	0.38	0.23	10.13
AV	28.554M	33.91	50.00	-16.09	10.74	Line	-	23.17	0.38	0.23	10.13



Phase	Neutral	Configuration	CTX
-------	---------	---------------	-----

Mode 1

28/08/2019



Type	Freq (Hz)	Level (dBuV)	Limit (dBuV)	Margin (dB)	Factor (dB)	Condition	Comment	Raw (dBuV)	AF (dB)	CL (dB)	AT (dB)
QP	150k	48.09	66.00	-17.91	10.15	Neutral	-	37.94	0.03	0.02	10.10
AV	150k	38.42	56.00	-17.58	10.15	Neutral	-	28.27	0.03	0.02	10.10
QP	537k	36.61	56.00	-19.39	10.16	Neutral	-	26.45	0.04	0.02	10.10
AV	537k	30.87	46.00	-15.13	10.16	Neutral	"Worst"	20.71	0.04	0.02	10.10
QP	1.19M	24.96	56.00	-31.04	10.18	Neutral	-	14.78	0.05	0.03	10.10
AV	1.19M	18.45	46.00	-27.55	10.18	Neutral	-	8.27	0.05	0.03	10.10
QP	3.03M	23.90	56.00	-32.10	10.23	Neutral	-	13.67	0.07	0.06	10.10
AV	3.03M	16.67	46.00	-29.33	10.23	Neutral	-	6.44	0.07	0.06	10.10
QP	10.491M	28.73	60.00	-31.27	10.34	Neutral	-	18.39	0.16	0.07	10.11
AV	10.491M	22.63	50.00	-27.37	10.34	Neutral	-	12.29	0.16	0.07	10.11
QP	25.872M	34.16	60.00	-25.84	10.61	Neutral	-	23.55	0.28	0.21	10.12
AV	25.872M	28.77	50.00	-21.23	10.61	Neutral	-	18.16	0.28	0.21	10.12



3.2 Occupied Bandwidth

3.2.1 Limit of Occupied Bandwidth

6dBc Bandwidth (see Note 1)	None
99% Occupied Bandwidth (see Note 2)	None

NOTE 1: The 6dBc bandwidth is the frequency bandwidth of the signal power at the -6 dBc points when measured with a 100 kHz resolution bandwidth. These measurements shall also be performed at normal test conditions.

NOTE 2: The 99% occupied bandwidth is the frequency bandwidth of the signal power at the 99% channel power of occupied bandwidth when resolution bandwidth should be approximately 1 % to 5 % of the occupied bandwidth (OBW). These measurements shall also be performed at normal test conditions.

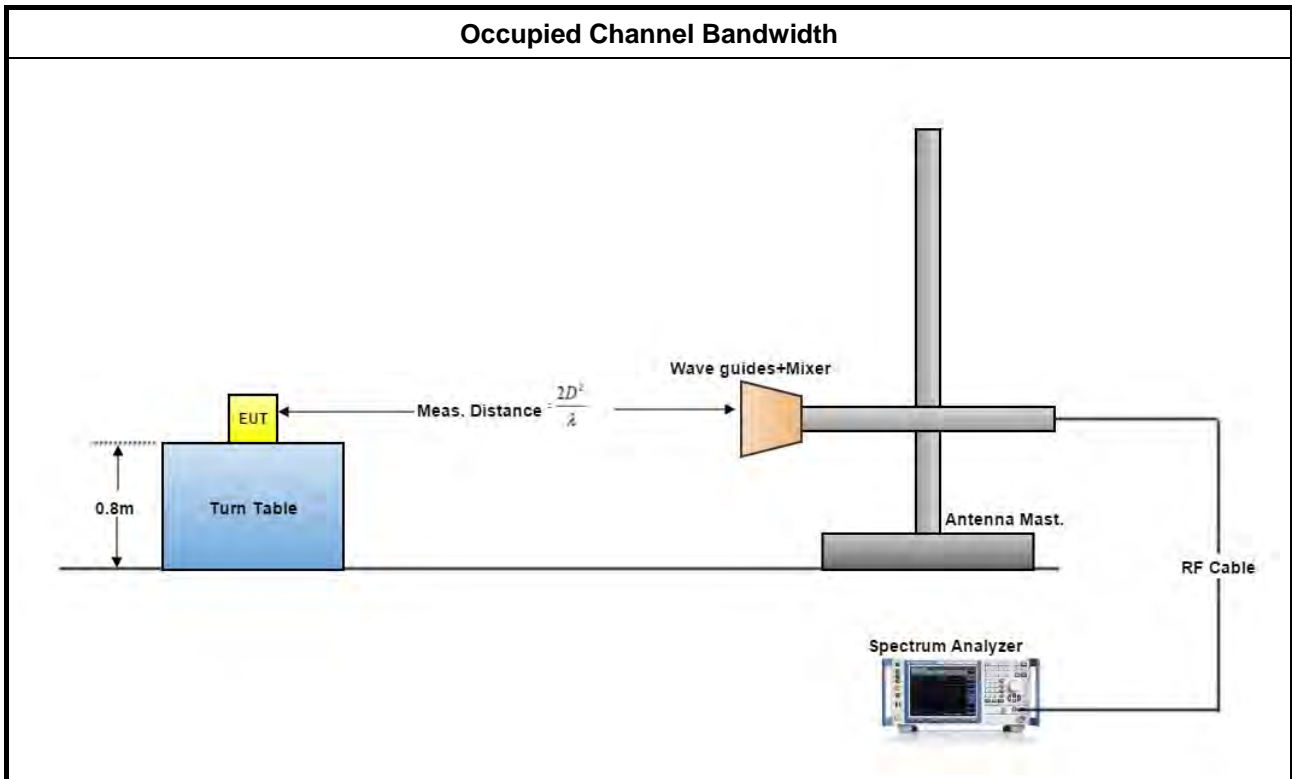
3.2.2 Measuring Instruments

Refer a measuring instruments list in this test report.

3.2.3 Test Procedures

Method of measurement: Refer as ANSI C63.10-2013, clauses 6.9.2.

3.2.4 Test Setup





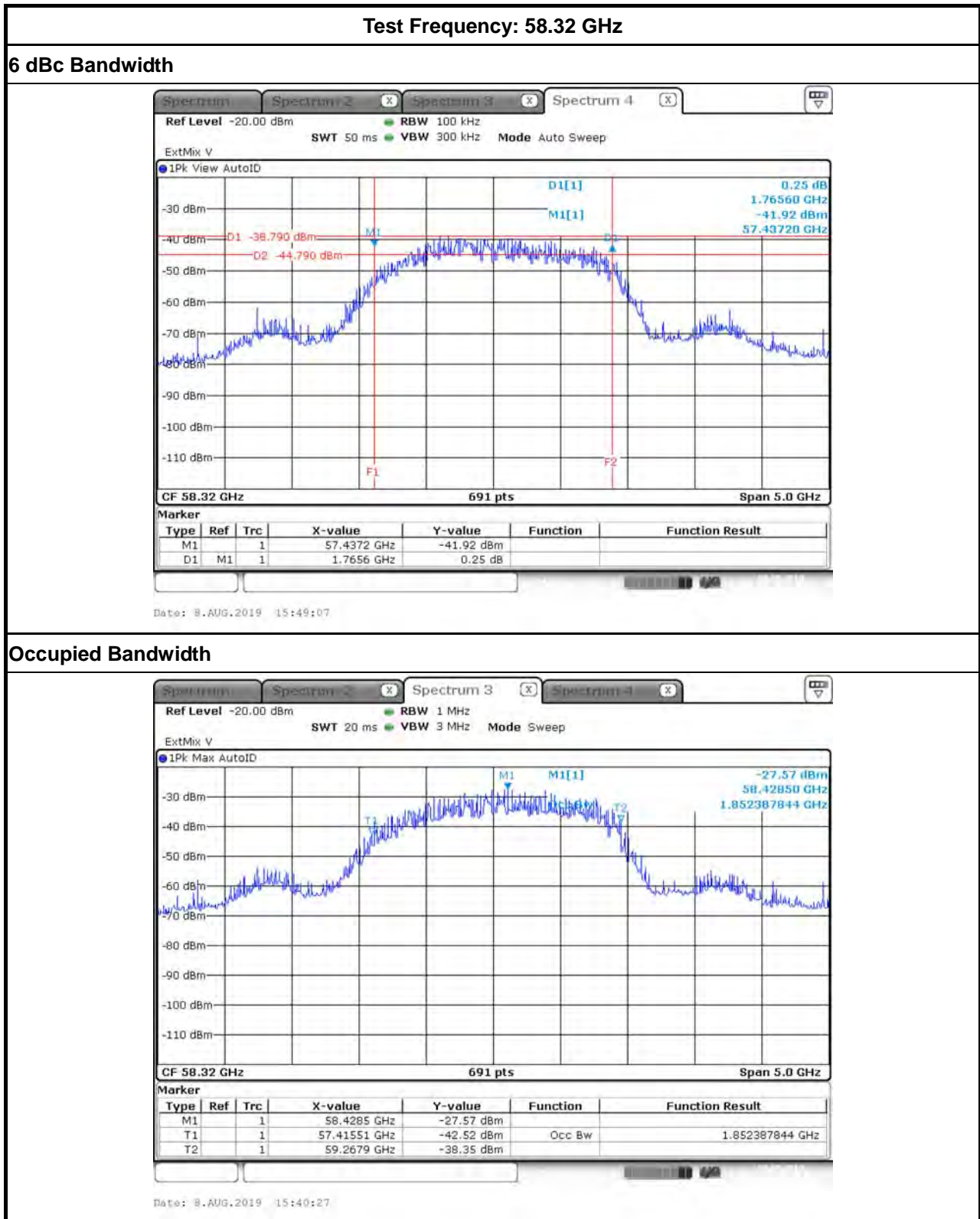
3.2.5 Test Result of Occupied Bandwidth

Test Conditions	see ANSI C63.10, clause 5.11
Test Setup	see ANSI C63.10, clause 6.9.2
NOTE: If equipment having different transmit operating modes (see test report clause 1.1.2), the measurements are uninfluenced by different transmit operating modes, may not need to be repeated for all the operating modes. Similar, if the equipment supports different modulations and/or data rates, the measurements described in ANSI C63.10, clause 5.11 may not need to be repeated for all these modulations and data rates. Simple comparison of engineering test across all operating modes, modulations and data rates may need to be performed to define the worse case combination to be used for the conformance testing. Refer as ANSI C63.10, clause 15, observe and record with plotted graphs or photographs the worst-case (i.e., widest) occupied bandwidth produced by these different modulation sources.	

Test Results			
Test Freq. (GHz)	6 dBc Bandwidth (MHz)	99% Occupied Bandwidth (MHz)	Limit (MHz)
58.32	1765.60	1852.38	N/A
60.48	1765.60	2076.70	N/A
62.64	1526.80	2040.52	N/A
64.80	1309.70	3169.32	N/A



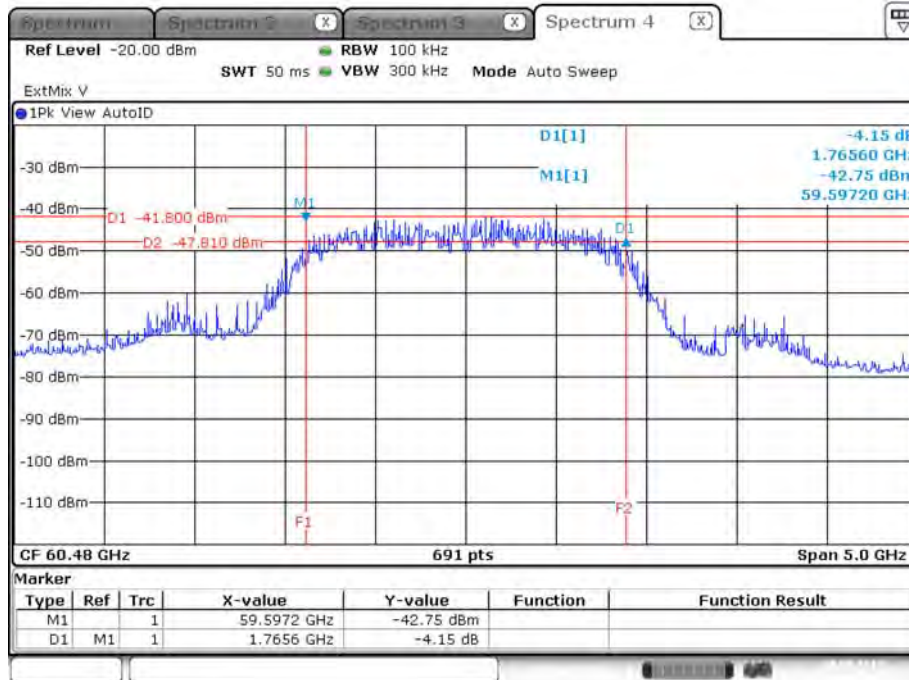
3.2.5.1 Bandwidth Plots





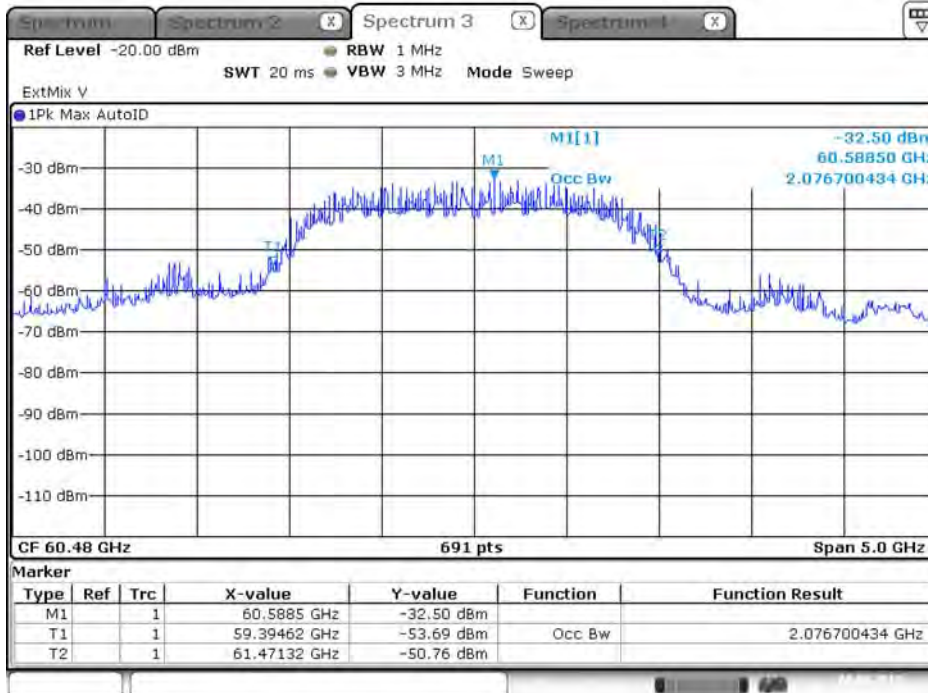
Test Frequency: 60.48 GHz

6 dBc Bandwidth



Date: 8.AUG.2019 16:20:36

Occupied Bandwidth

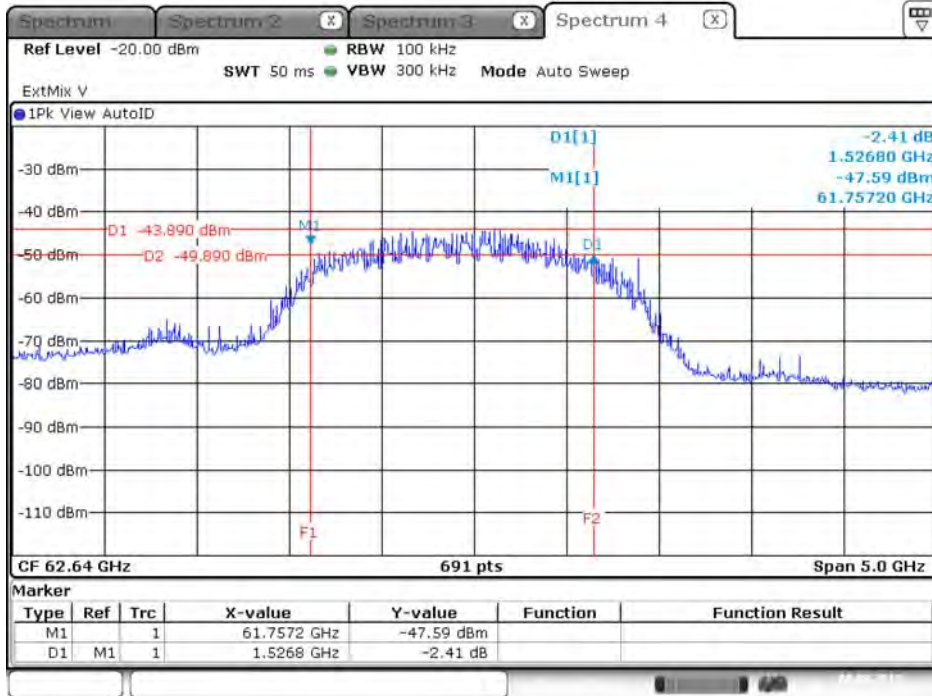


Date: 8.AUG.2019 16:17:08



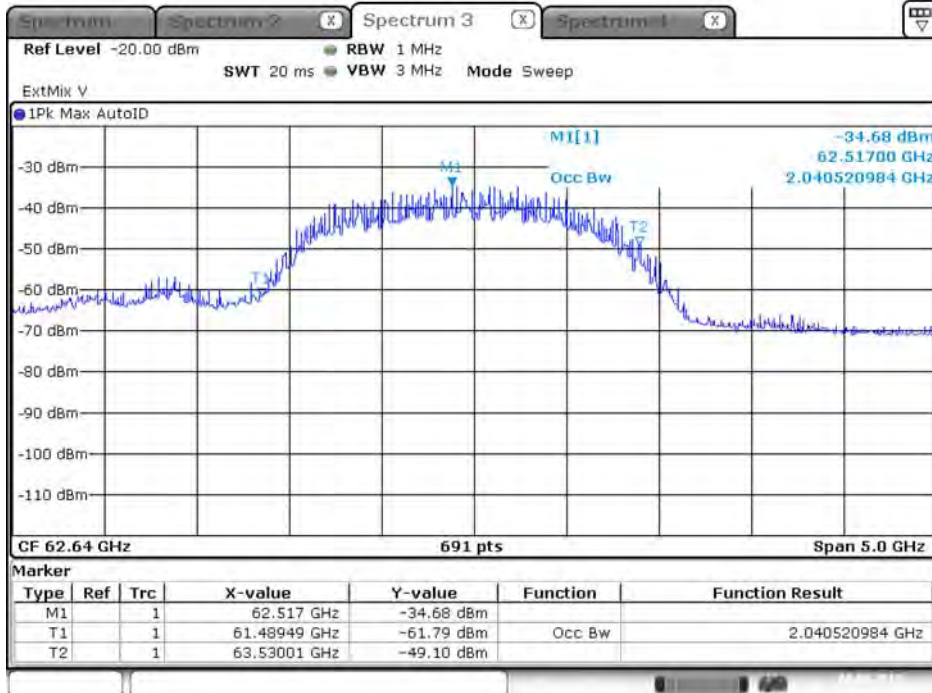
Test Frequency: 62.64 GHz

6 dBc Bandwidth



Date: 8.AUG.2019 16:31:22

Occupied Bandwidth

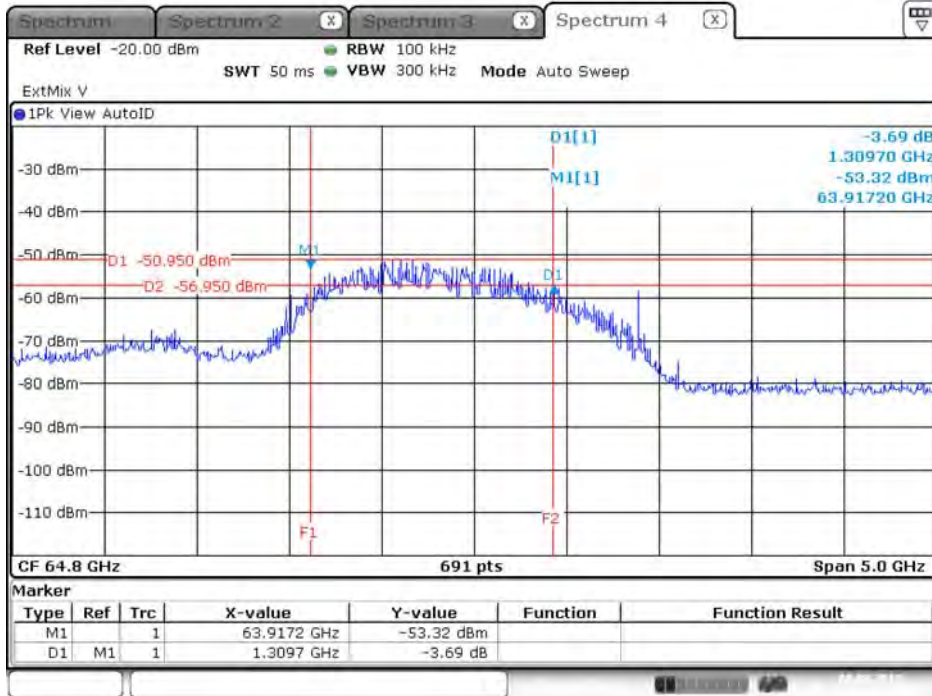


Date: 8.AUG.2019 16:26:54



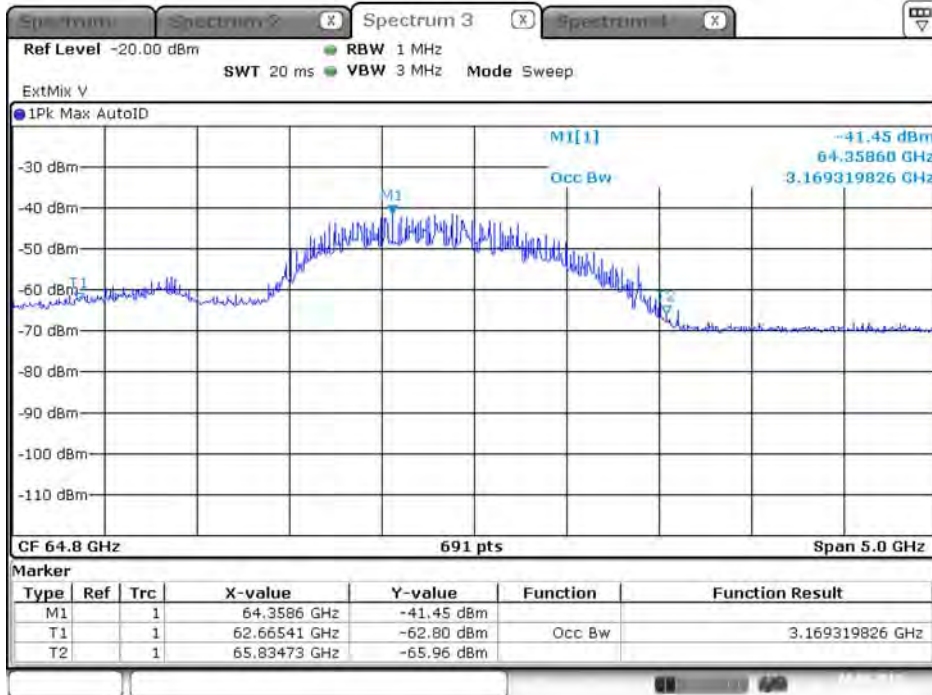
Test Frequency: 64.80 GHz

6 dBc Bandwidth



Date: 8.AUG.2019 16:47:34

Occupied Bandwidth



Date: 8.AUG.2019 16:43:54



3.3 EIRP Power

3.3.1 Limit of EIRP Power

EIRP Power Limit		
Use Condition	EIRP Average Power	EIRP Peak Power
Fixed field disturbance sensors at within the frequency band 61-61.5GHz	40 dBm	43 dBm
Fixed field disturbance sensors at outside of the band 61-61.5GHz	10 dBm	13 dBm
Except fixed field disturbance sensors at 61-61.5GHz	N/A	10 dBm
Except outdoor fixed Point to Point	40 dBm	43 dBm
Outdoor fixed Point to Point	82 dBm	85 dBm

Note: For fixed point-to-point transmitters located outdoors, the average power of any emission shall not exceed 82 dBm, and shall be reduced by 2 dB for every dB that the antenna gain is less than 51 dBi. The peak power of any emission shall not exceed 85 dBm, and shall be reduced by 2 dB for every dB that the antenna gain is less than 51 dBi.

NOTE: For the applicable limit, see FCC 15.255 (c)

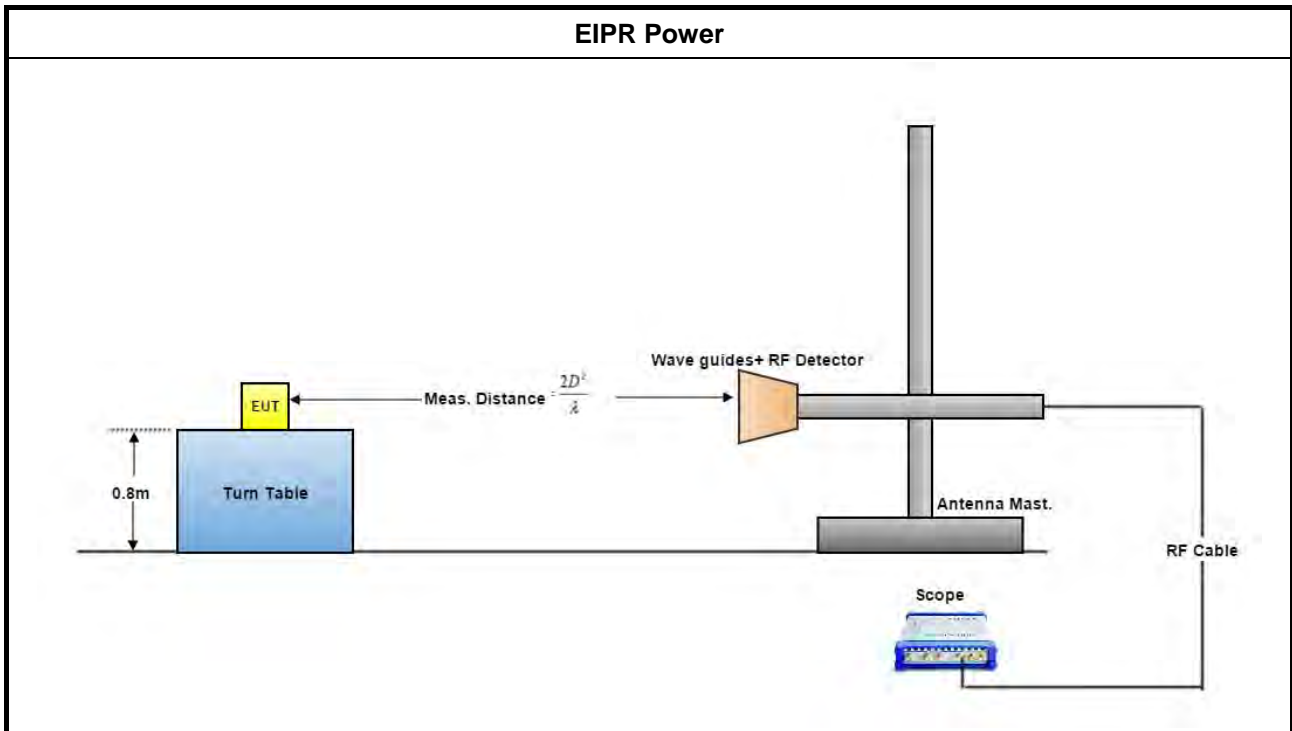
3.3.2 Measuring Instruments

Refer a measuring instruments list in this test report.

3.3.3 Test Procedures

Method of measurement: Refer as ANSI C63.10-2013 clause 9.3 & 9.5.

3.3.4 Test Setup



3.3.5 Test Result of EIRP Power

Test Conditions	see ANSI C63.10, clause 5.11 & clause 9
Test Setup	see ANSI C63.10, clause 9.11
<p>NOTE: If the equipment supports different modulations and/or data rates, the measurements described in ANSI C63.10, clause 5.11 may not need to be repeated for all these modulations and data rates. Simple comparison of engineering test across all operating modes, modulations and data rates may need to be performed to define the worst case combination to be used for the conformance testing.</p>	



3.3.5.1 Test Result of EIRP Power

Test Distance		2.5m									
Test Results											
Test Freq. (GHz)	Rx Gain (dBi)	DSO (mV)		Power Measured (dBm)		E _{Meas} (dBuV/m)		EIRP (dBm)		EIRP Limit (dBm) (note 1)	
		Peak	AV	Peak	AV	Peak	AV	Peak	AV	Peak	AV
58.32	23.6	57.70	49.05	-16.37	-17.45	132.60	131.52	35.76	34.68	43	40
60.48	23.6	58.50	49.59	-16.45	-17.51	132.84	131.78	36.00	34.94	43	40
62.64	23.6	35.06	28.94	-19.51	-20.49	130.08	129.10	33.24	32.26	43	40
64.80	23.6	6.74	5.63	-27.02	-28.07	122.87	121.82	26.03	24.98	43	40

The measured power level is converted to EIRP using the Friis equation:

For radiated emissions, calculate the field strength (E) in dBuV/meter.

$$E = 126.8 - 20\log(\lambda) + P - G$$

where:

E : is the field strength of the emission at the measurement distance, in dBuV/m

P : is the power measured at the output of the test antenna, in dBm

λ: is the wavelength of the emission under investigation [300/fMHz], in m

G : is the gain of the test antenna, in dBi For radiated emissions, calculate the EIRP (dBm). If the measurement was performed in the far field, calculate the EIRP.

$$EIRP = E\text{-meas} + 20\log(d\text{-meas}) - 104.7$$

where:

EIRP : is the equivalent isotopically radiated power, in dBm

E-meas. : is the field strength of the emission at the measurement distance, in dBuV/m

d-meas. : is the measurement distance, in m

NOTE 1: For the applicable limit, see FCC 15.255 (c)

NOTE 2: The comparison method which replaces EUT with a signal generator is used to find the correct conversion factor between "DSO(mV)" & "Power Measured(dBm)".



3.4 Peak Conducted Power

3.4.1 Limit of Peak Conducted Power

Peak Conducted Power Limit	
6dBc Bandwidth	Peak Conducted Power (note 1)
> 100MHz	500mW
≤ 100MHz	500mW x (BW/100) (see note 2)
NOTE 1: For the applicable limit, see FCC 15.255(c)	
NOTE 2: BW= 6dB bandwidth (measured at RBW 100kHz)	

3.4.2 Measuring Instruments

Refer a measuring instruments list in this test report.

3.4.3 Test Procedures

Method of measurement: Refer as ANSI C63.10-2013, clause 9.5

3.4.4 Test Result of Peak Conducted Power

Test Conditions	see ANSI C63.10, clause 5.11 & clause 9
Test Setup	see ANSI C63.10, clause 9.11
NOTE: If the equipment supports different modulations and/or data rates, the measurements described in ANSI C63.10, clause 5.11 may not need to be repeated for all these modulations and data rates. Simple comparison of engineering test across all operating modes, modulations and data rates may need to be performed to define the worst case combination to be used for the conformance testing.	



3.4.4.1 Peak Conducted Power

Test Results						
Test Freq. (GHz)	EIRP (dBm)	Max. Ant. Gain (dBi)	Peak Power (dBm) (note1)	Peak Power (mW)	6dBc BW (MHz) (note2)	Peak Power Limit (mW) (note3)
58.32	35.76	30	5.76	3.769	1765.60	500.00
60.48	36.00	30	6.00	3.980	1765.60	500.00
62.64	33.24	30	3.24	2.110	1526.80	500.00
64.80	26.03	30	-3.97	0.401	1309.70	500.00

NOTE 1: Because EUT used for the integral antenna without temporary RF connector provided. Therefore peak conducted power is equal to EIRP power subtract the antenna gain.

NOTE 2: For the 6dBc bandwidth, see test report clause 3.2.5.

NOTE 3: For the applicable limit, see FCC 15.255(c)

NOTE 4: For radiated emission measurements, calculate conducted transmitter output power P(cond)(dBm)

$$P(\text{cond}) = \text{EIRP} - G(\text{dBi})$$

where:

G(dBi) is gain of EUT antenna.

3.5 Transmitter Spurious Emissions

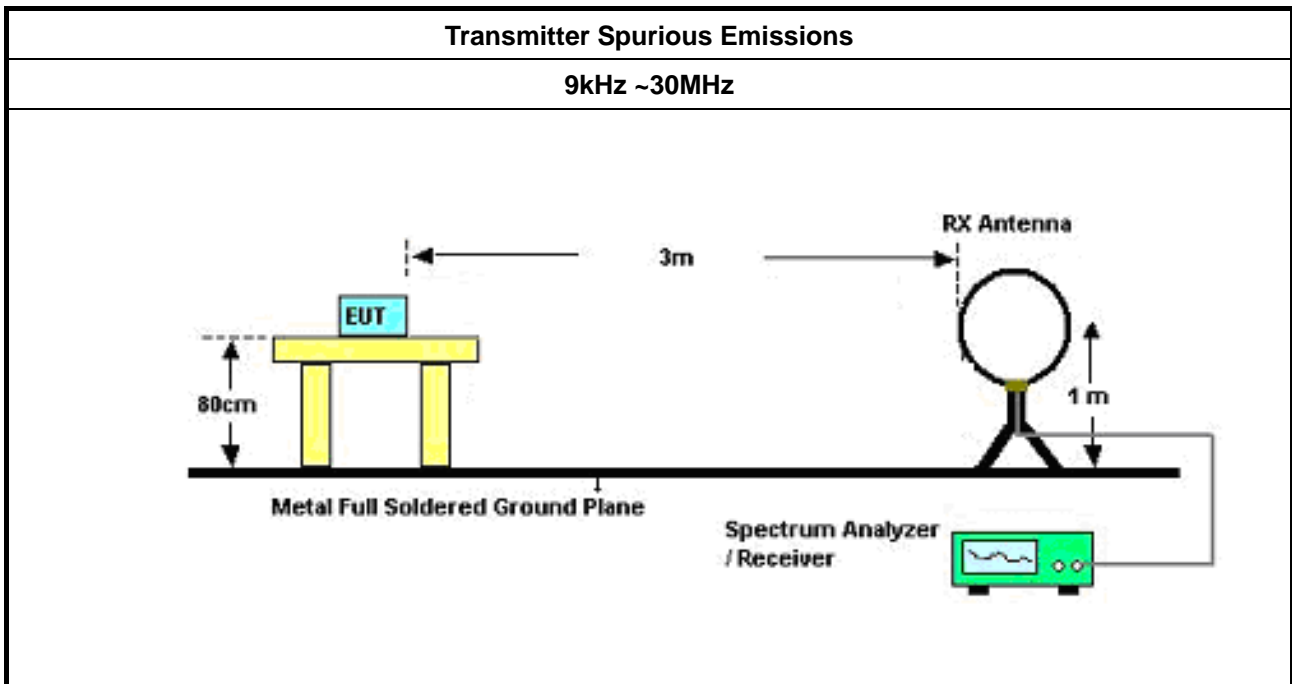
3.5.1 Limit of Transmitter Spurious Emissions

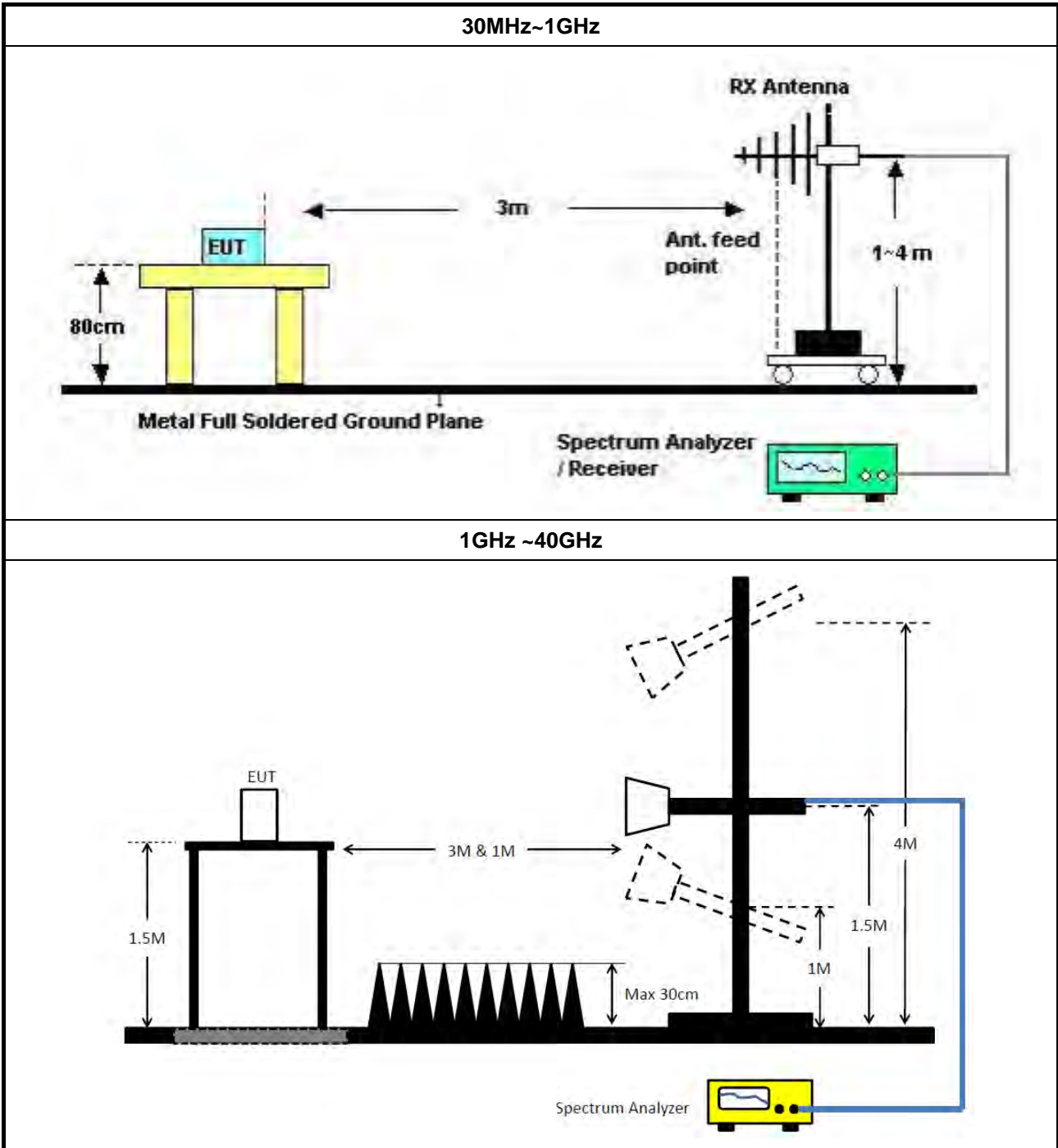
Frequency Range	Limit
Radiated emissions below 40 GHz	FCC 15.209
Radiated emissions above 40 GHz – 200GHz	90 pW/cm ² @ 3 m (Equivalent EIRP 102 μW, -9.91dBm)
NOTE 1: For the applicable limit, see FCC 15.255(d)	
NOTE 2: Spurious emissions shall not exceed the level of the fundamental emission.	

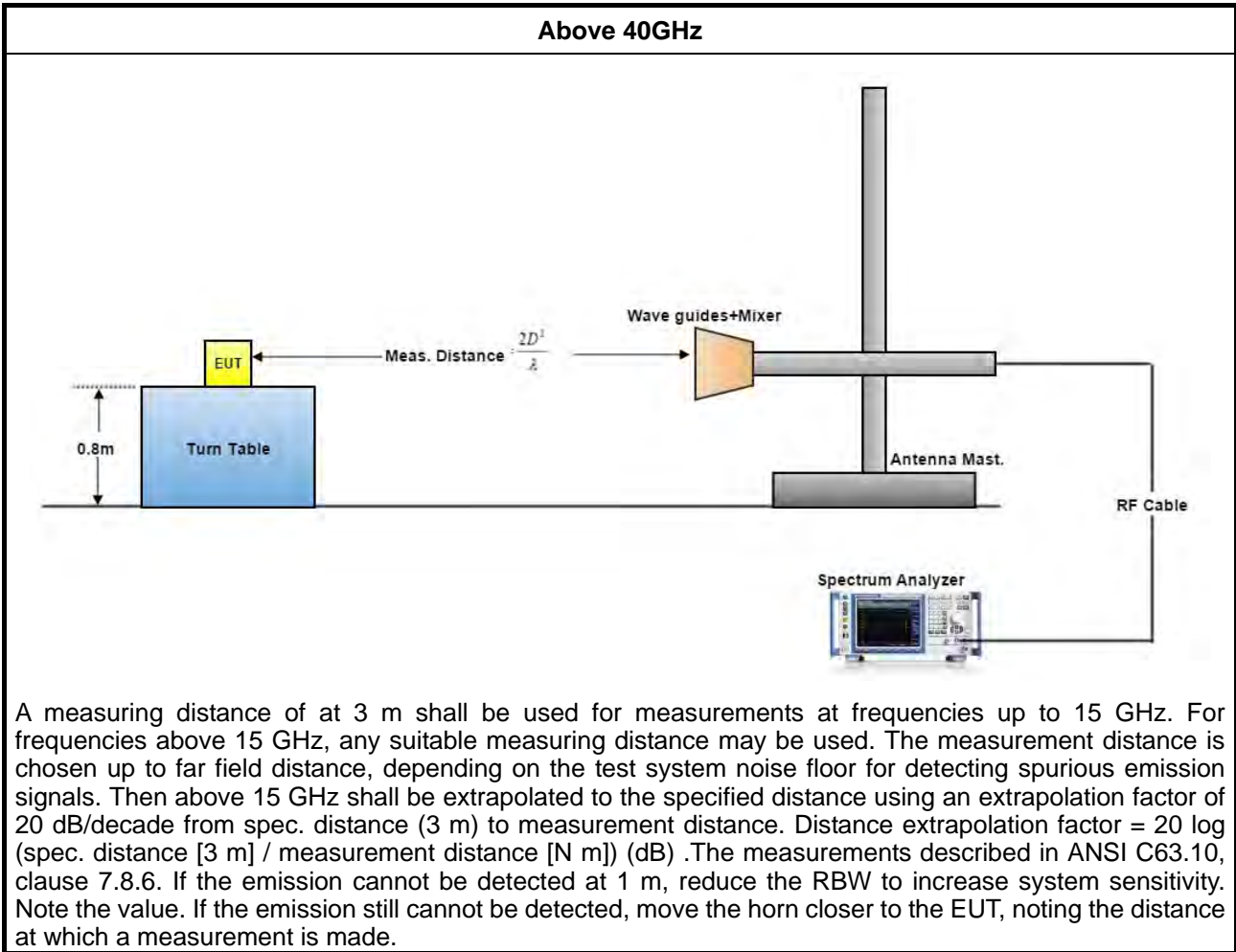
3.5.2 Test Procedures

Method of measurement: Refer as ANSI C63.10-2013, clause 9.12

3.5.3 Test Setup







3.5.4 Test Result of Transmitter Spurious Emissions

Test Conditions	see ANSI C63.10, clause 5.11 & clause 9
Test Setup	see ANSI C63.10, clause 9.12 ~ 9.13
NOTE: If equipment having different channel plan and nominal channel bandwidth modes (see test report clause 1.1.1), the measurements are uninfluenced by different channel plan and nominal channel bandwidth modes, may not need to be repeated for all modes.	



3.5.5 Measurement Results Calculation

The measured Level is calculated using:

Corrected Reading: Antenna Factor + Cable Loss + Read Level - Preamp Factor = Level.

3.5.5.1 Test Result of Transmitter Spurious Emissions (Below 30MHz)

There is a comparison data of both open-field test site and alternative test site - semi-Anechoic chamber according to KDB414788 Radiated Test Site, and the result came out very similar.

All amplitude of spurious emissions that are attenuated by more than 20 dB below the permissible value has no need to be reported.

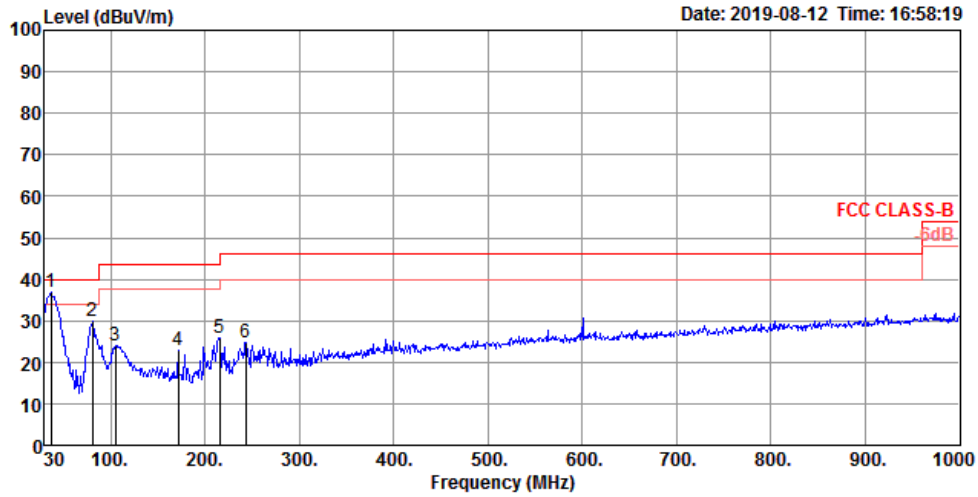
The radiated emissions were investigated from 9 kHz or the lowest frequency generated within the device, up to the 10 harmonic or 40 GHz, whichever is appropriate.



3.5.5.2 Test Result of Transmitter Spurious Emissions

Test Range	30 MHz – 1000 MHz	Test Distance	3 m
------------	-------------------	---------------	-----

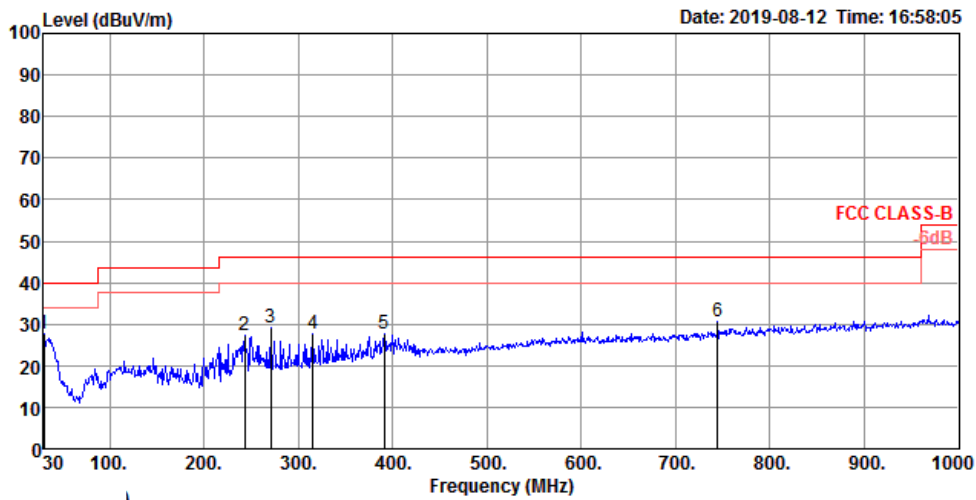
Vertical



	Freq	Level	Limit	Over	Read	Cable	Antenna	Preamp	A/Pos	T/Pos	Remark	Pol/Phase
	MHz	dBuV/m	dBuV/m	dB	dBuV	dB	dB/m	dB	cm	deg		
1	36.79	36.94	40.00	-3.06	45.96	0.78	21.69	31.49	100	247	Peak	VERTICAL
2	80.44	29.75	40.00	-10.25	47.10	1.15	13.36	31.86	100	260	Peak	VERTICAL
3	104.69	23.87	43.50	-19.63	36.87	1.33	17.61	31.94	100	196	Peak	VERTICAL
4	171.62	23.00	43.50	-20.50	37.31	1.67	15.94	31.92	200	352	Peak	VERTICAL
5	215.27	25.89	43.50	-17.61	39.63	1.83	16.40	31.97	100	285	Peak	VERTICAL
6	243.40	24.89	46.00	-21.11	36.54	2.00	18.37	32.02	100	201	Peak	VERTICAL



Horizontal



	Freq	Level	Limit	Over	Read	CableAntenna	Preamp	A/Pos	T/Pos	Remark	Pol/Phase	
	MHz	dBuV/m	dBuV/m	dB	dBuV	dB	dB/m	dB	cm	deg		
1	30.00	27.84	40.00	-12.16	33.05	0.67	25.70	31.58	300	264	Peak	HORIZONTAL
2	243.40	27.23	46.00	-18.77	38.88	2.00	18.37	32.02	100	156	Peak	HORIZONTAL
3	270.56	29.12	46.00	-16.88	39.66	2.11	19.40	32.05	300	37	Peak	HORIZONTAL
4	315.18	27.78	46.00	-18.22	37.34	2.29	20.25	32.10	100	175	Peak	HORIZONTAL
5	390.84	27.71	46.00	-18.29	35.09	2.54	22.26	32.18	100	65	Peak	HORIZONTAL
6	744.89	30.54	46.00	-15.46	33.12	3.63	26.14	32.35	200	202	Peak	HORIZONTAL

Note: Corrected Reading: Antenna Factor + Cable Loss + Read Level - Preamp Factor = Level.



Test Range	1 GHz – 18 GHz	Test Distance	3 m
Test Frequency (GHz)	58.32		

Vertical

	Freq	Level	Limit Line	Over Limit	Read Level	CableAntenna Loss	Antenna Factor	Preamp Factor	A/Pos	T/Pos	Remark	Pol/Phase
	MHz	dBuV/m	dBuV/m	dB	dBuV	dB	dB/m	dB	cm	deg		
1	7289.94	56.32	74.00	-17.68	48.66	6.46	36.47	35.27	161	0	Peak	VERTICAL
2	7289.99	53.87	54.00	-0.13	46.21	6.46	36.47	35.27	161	0	Average	VERTICAL

Horizontal

	Freq	Level	Limit Line	Over Limit	Read Level	CableAntenna Loss	Antenna Factor	Preamp Factor	A/Pos	T/Pos	Remark	Pol/Phase
	MHz	dBuV/m	dBuV/m	dB	dBuV	dB	dB/m	dB	cm	deg		
1	7290.00	43.12	54.00	-10.88	35.46	6.46	36.47	35.27	169	114	Average	HORIZONTAL
2	7290.06	49.67	74.00	-24.33	42.01	6.46	36.47	35.27	169	114	Peak	HORIZONTAL

Note: Corrected Reading: Antenna Factor + Cable Loss + Read Level - Preamp Factor = Level.



Test Range	18 GHz – 40 GHz	Test Distance	1 m
Test Frequency (GHz)	58.32		

Vertical

	Freq	Level	Limit Line	Over Limit	Read Level	CableAntenna Loss	Antenna Factor	Preamp Factor	A/Pos	T/Pos	Remark	Pol/Phase
	MHz	dBuV/m	dBuV/m	dB	dBuV	dB	dB/m	dB	cm	deg		
1	19536.16	70.80	83.54	-12.74	56.56	6.90	37.99	30.65	150	182	Peak	VERTICAL
2	19537.38	57.70	63.54	-5.84	43.46	6.90	37.99	30.65	150	182	Average	VERTICAL

Horizontal

	Freq	Level	Limit Line	Over Limit	Read Level	CableAntenna Loss	Antenna Factor	Preamp Factor	A/Pos	T/Pos	Remark	Pol/Phase
	MHz	dBuV/m	dBuV/m	dB	dBuV	dB	dB/m	dB	cm	deg		
1	19537.30	57.58	63.54	-5.96	43.34	6.90	37.99	30.65	150	36	Average	HORIZONTAL
2	19538.90	71.07	83.54	-12.47	56.83	6.90	37.99	30.65	150	36	Peak	HORIZONTAL

Note: Corrected Reading: Antenna Factor + Cable Loss + Read Level - Preamp Factor = Level.



Temp	22~24°C	Humidity	54~56%
Test Range	1 GHz – 18 GHz	Test Distance	3 m
Test Frequency (GHz)	60.48		

Vertical

	Freq	Level	Limit Line	Over Limit	Read Level	CableAntenna Loss	Preamp Factor	A/Pos	T/Pos	Remark	Pol/Phase	
	MHz	dBuV/m	dBuV/m	dB	dBuV	dB	dB/m	dB	cm	deg		
1	7559.85	54.27	74.00	-19.73	46.54	6.51	36.33	35.11	180	350	Peak	VERTICAL
2	7559.98	51.27	54.00	-2.73	43.54	6.51	36.33	35.11	180	350	Average	VERTICAL

Horizontal

	Freq	Level	Limit Line	Over Limit	Read Level	CableAntenna Loss	Preamp Factor	A/Pos	T/Pos	Remark	Pol/Phase	
	MHz	dBuV/m	dBuV/m	dB	dBuV	dB	dB/m	dB	cm	deg		
1	7559.61	49.65	74.00	-24.35	41.92	6.51	36.33	35.11	151	114	Peak	HORIZONTAL
2	7559.98	43.46	54.00	-10.54	35.73	6.51	36.33	35.11	151	114	Average	HORIZONTAL

Note: Corrected Reading: Antenna Factor + Cable Loss + Read Level - Preamp Factor = Level.



Test Range	18 GHz – 40 GHz	Test Distance	1 m
Test Frequency (GHz)	60.48		

Vertical

	Freq	Level	Limit Line	Over Limit	Read Level	CableAntenna Loss	Preamp Factor	A/Pos	T/Pos	Remark	Pol/Phase
	MHz	dBuV/m	dBuV/m	dB	dBuV	dB	dB/m	dB	cm	deg	
1	19535.62	70.74	83.54	-12.80	56.50	6.90	37.99	30.65	150	258 Peak	VERTICAL
2	19537.16	56.95	63.54	-6.59	42.71	6.90	37.99	30.65	150	258 Average	VERTICAL

Horizontal

	Freq	Level	Limit Line	Over Limit	Read Level	CableAntenna Loss	Preamp Factor	A/Pos	T/Pos	Remark	Pol/Phase
	MHz	dBuV/m	dBuV/m	dB	dBuV	dB	dB/m	dB	cm	deg	
1	19537.79	70.48	83.54	-13.06	56.24	6.90	37.99	30.65	150	159 Peak	HORIZONTAL
2	19538.14	56.94	63.54	-6.60	42.70	6.90	37.99	30.65	150	159 Average	HORIZONTAL

Note: Corrected Reading: Antenna Factor + Cable Loss + Read Level - Preamp Factor = Level.



Test Range	1 GHz – 18 GHz	Test Distance	3 m
Test Frequency (GHz)	62.64		

Vertical

	Freq	Level	Limit Line	Over Limit	Read Level	CableAntenna Loss	Antenna Factor	Preamp Factor	A/Pos	T/Pos	Remark	Pol/Phase
	MHz	dBuV/m	dBuV/m	dB	dBuV	dB	dB/m	dB	cm	deg		
1	7829.72	48.60	54.00	-5.40	40.33	7.07	36.45	35.25	156	205	Average	VERTICAL
2	7829.99	41.42	54.00	-12.58	33.15	7.07	36.45	35.25	156	205	Average	VERTICAL

Horizontal

	Freq	Level	Limit Line	Over Limit	Read Level	CableAntenna Loss	Antenna Factor	Preamp Factor	A/Pos	T/Pos	Remark	Pol/Phase
	MHz	dBuV/m	dBuV/m	dB	dBuV	dB	dB/m	dB	cm	deg		
1	7829.99	41.85	54.00	-12.15	33.58	7.07	36.45	35.25	175	299	Average	HORIZONTAL
2	7830.18	48.99	74.00	-25.01	40.72	7.07	36.45	35.25	175	299	Peak	HORIZONTAL

Note: Corrected Reading: Antenna Factor + Cable Loss + Read Level - Preamp Factor = Level.



Test Range	18 GHz – 40 GHz	Test Distance	1 m
Test Frequency (GHz)	62.64		

Vertical

	Freq	Level	Limit Line	Over Limit	Read Level	CableAntenna Loss	Preamp Factor	A/Pos	T/Pos	Remark	Pol/Phase
	MHz	dBuV/m	dBuV/m	dB	dBuV	dB	dB/m	dB	cm	deg	
1	19537.28	70.28	83.54	-13.26	56.04	6.90	37.99	30.65	150	69 Peak	VERTICAL
2	19537.29	57.09	63.54	-6.45	42.85	6.90	37.99	30.65	150	69 Average	VERTICAL

Horizontal

	Freq	Level	Limit Line	Over Limit	Read Level	CableAntenna Loss	Preamp Factor	A/Pos	T/Pos	Remark	Pol/Phase
	MHz	dBuV/m	dBuV/m	dB	dBuV	dB	dB/m	dB	cm	deg	
1	19537.76	56.93	63.54	-6.61	42.69	6.90	37.99	30.65	150	111 Average	HORIZONTAL
2	19538.23	70.89	83.54	-12.65	56.65	6.90	37.99	30.65	150	111 Peak	HORIZONTAL

Note: Corrected Reading: Antenna Factor + Cable Loss + Read Level - Preamp Factor = Level.



Test Range	1 GHz – 18 GHz	Test Distance	3 m
Test Frequency (GHz)	64.80		

Vertical

	Freq	Level	Limit Line	Over Limit	Read Level	CableAntenna Loss	Antenna Factor	Preamp Factor	A/Pos	T/Pos	Remark	Pol/Phase
	MHz	dBuV/m	dBuV/m	dB	dBuV	dB	dB/m	dB	cm	deg		
1	8100.00	47.10	54.00	-6.90	38.30	6.92	37.10	35.22	151	162	Average	VERTICAL
2	8100.45	55.49	74.00	-18.51	46.69	6.92	37.10	35.22	151	162	Peak	VERTICAL

Horizontal

	Freq	Level	Limit Line	Over Limit	Read Level	CableAntenna Loss	Antenna Factor	Preamp Factor	A/Pos	T/Pos	Remark	Pol/Phase
	MHz	dBuV/m	dBuV/m	dB	dBuV	dB	dB/m	dB	cm	deg		
1	8100.00	42.63	54.00	-11.37	33.83	6.92	37.10	35.22	136	294	Average	HORIZONTAL
2	8100.09	51.49	74.00	-22.51	42.69	6.92	37.10	35.22	136	294	Peak	HORIZONTAL

Note: Corrected Reading: Antenna Factor + Cable Loss + Read Level - Preamp Factor = Level.



Test Range	18 GHz – 40 GHz	Test Distance	1 m
Test Frequency (GHz)	64.80		

Vertical

	Freq	Level	Limit Line	Over Limit	Read Level	CableAntenna Loss	Preamp Factor	A/Pos	T/Pos	Remark	Pol/Phase	
	MHz	dBuV/m	dBuV/m	dB	dBuV	dB	dB/m	dB	cm	deg		
1	19537.17	57.20	63.54	-6.34	42.96	6.90	37.99	30.65	150	350	Average	VERTICAL
2	19537.67	70.99	83.54	-12.55	56.75	6.90	37.99	30.65	150	350	Peak	VERTICAL

Horizontal

	Freq	Level	Limit Line	Over Limit	Read Level	CableAntenna Loss	Preamp Factor	A/Pos	T/Pos	Remark	Pol/Phase	
	MHz	dBuV/m	dBuV/m	dB	dBuV	dB	dB/m	dB	cm	deg		
1	19538.04	70.42	83.54	-13.12	56.18	6.90	37.99	30.65	150	226	Peak	HORIZONTAL
2	19538.43	57.04	63.54	-6.50	42.80	6.90	37.99	30.65	150	226	Average	HORIZONTAL

Note: Corrected Reading: Antenna Factor + Cable Loss + Read Level - Preamp Factor = Level.



Test Range	40GHz – 200GHz
-------------------	----------------

Test Frequency (GHz)	Rx Antenna Gain (dBi)	Measurement Distance (m)	Read Worst Frequency (GHz)	Read Level (dBm)	EIRP (dBm)	Specification Distance (m)	Power Density (pW/cm ²)	Limit (pW/cm ²)	Test Result
58.32	23.6	2.50	53.84	-68.75	-17.33	3	16.3636	90.00	PASS
60.48	23.6	2.50	56.52	-70.59	-18.75	3	11.8030	90.00	PASS
62.64	23.6	2.50	56.54	-75.24	-23.39	3	4.0486	90.00	PASS
64.80	23.6	2.50	56.77	-77.66	-25.78	3	2.3380	90.00	PASS

Note:

$$EIRP = Prx - Grx + \text{Free Space Path Loss} = Prx - Grx + 20\text{Log}(4\pi d / \lambda)^2$$

Which

Prx = Read Level.

Grx = Rx Antenna Gain.

A distance factor is offset and the formula is 20LOG(D1/D2)

Which

D1 = Specification Distance

D2 = Measurement Distance

3.6 Frequency Stability

3.6.1 Limit of Frequency Stability

Frequency Stability	Limit
Refer as FCC 15.255(f) and ANSI C63.10-2013, clause 9.14	within the frequency bands
Note: These measurements shall also be performed at normal and extreme test conditions.	

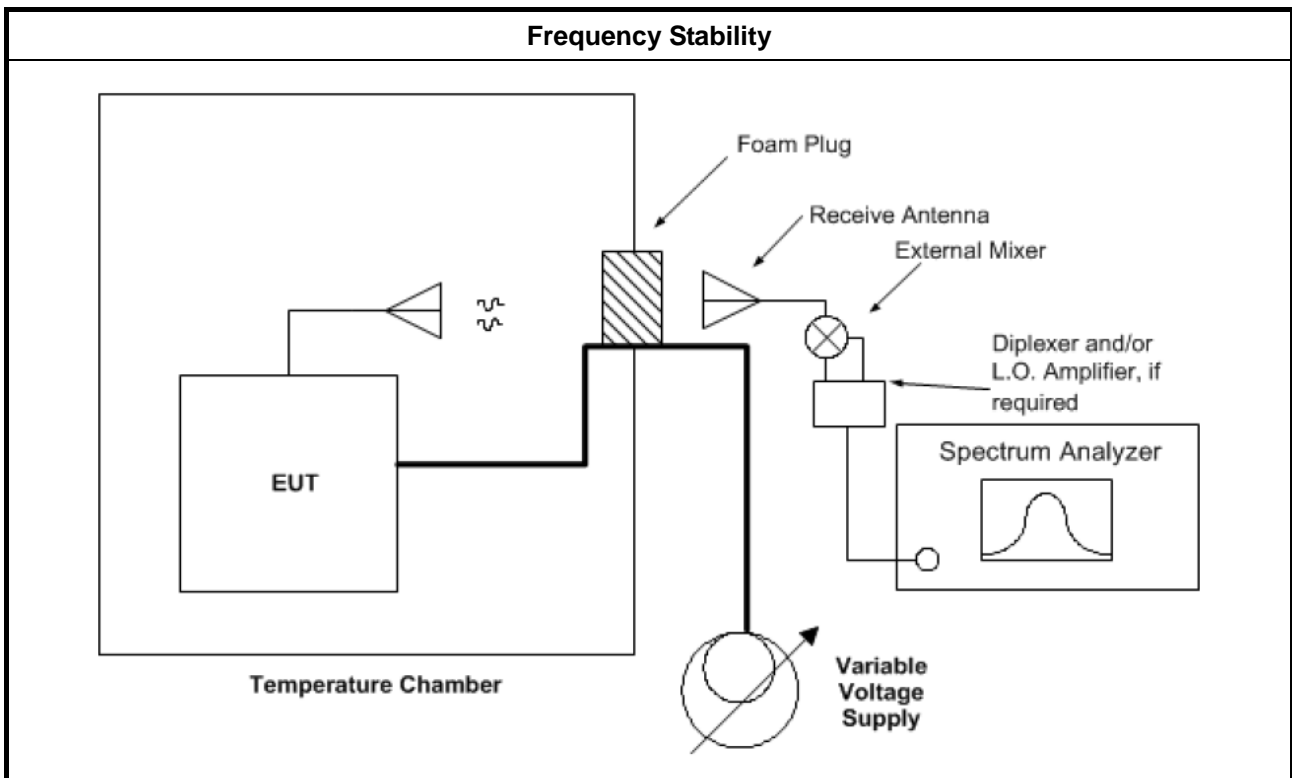
3.6.2 Measuring Instruments

Refer a measuring instruments list in this test report.

3.6.3 Test Procedures

Method of measurement: Refer as ANSI C63.10-2013, clauses 9.14.

3.6.4 Test Setup





3.6.5 Test Result of Frequency Stability

Test Conditions	see ANSI C63.10, clause 5.11 & clause 9
Test Setup	see ANSI C63.10, clause 9.14
NOTE: If equipment having different channel plan and nominal channel bandwidth modes (see test report clause 1.1.1), the measurements are uninfluenced by different channel plan and nominal channel bandwidth modes, may not need to be repeated for all modes.	

3.6.5.1 Frequency Stability with Respect to Ambient Temperature

Frequency Stability with Respect to Ambient Temperature			
Test Results			
Test Temperature (°C)	Measured Frequency (MHz)	Delta Frequency (kHz)	Limit (±kHz)
-35	60.48116	0.12	Within band
-30	60.48116	0.12	Within band
-20	60.48108	0.04	Within band
-10	60.48108	0.04	Within band
0	60.48104	0	Within band
10	60.48104	0	Within band
20	60.48104	Reference	Within band
30	60.48098	-0.06	Within band
40	60.48092	-0.12	Within band
50	60.48092	-0.12	Within band

NOTE: The manufacturer's specified temperature range of -35 to 50°C.



3.6.5.2 Frequency Stability When Varying Supply Voltage

Frequency Stability When Varying Supply Voltage			
Test Results			
Test Voltage: (Vdc)	Measured Frequency (MHz)	Delta Frequency (kHz)	Limit (\pm kHz)
93.5	60.48104	0	Within band
110	60.48104	Reference	Within band
126.5	60.48104	0	Within band



3.7 Operation Restriction and Group Installation

3.7.1 Limit of Operation Restriction and Group Installation

Item	Limit
Operation Restriction	Operation is not permitted for the following products: <ul style="list-style-type: none">♦ Equipment used on aircraft or satellites. (Refer as FCC 15.255 (a))♦ Field disturbance sensors, including vehicle radar systems, unless the field disturbance sensors are employed for fixed operation. (Refer as FCC 15.255 (a))
Group Installation	Operation is not permitted for the following products: <ul style="list-style-type: none">♦ External phase-locking (Refer as FCC 15.255 (h))

3.7.2 Result of Operation Restriction

Manufacturer declares that EUT will not be used on aircraft or satellites. Then user manual will include a statement to caution EUT is not permitted for use on aircraft or satellites. EUT is a wireless video area network (WVAN) for the connection of consumer electronic (CE) audio and video devices.

3.7.3 Result of Group Installation

The frequency, amplitude and phase of the transmit signal are set within the EUT. There are no external phase-locking inputs or any other means of combining two or more units together to realize a beam-forming array.



4 Test Equipment and Calibration Data

Instrument	Manufacturer	Model No.	Serial No.	Characteristics	Calibration Date	Calibration Due Date	Remark
LISN	Schwarzbeck	NSLK 8127	8127650	9kHz ~ 30MHz	Nov. 21, 2018	Nov. 20, 2019	Conduction (CO02-CB)
LISN	Schwarzbeck	NSLK 8127	8127478	9kHz ~ 30MHz	Nov. 05, 2018	Nov. 04, 2019	Conduction (CO02-CB)
EMI Receiver	Agilent	N9038A	MY52260140	9kHz ~ 8.4GHz	Jan. 16, 2019	Jan. 15, 2020	Conduction (CO02-CB)
COND Cable	Woken	Cable	2	0.15MHz ~ 30MHz	Nov. 06, 2018	Nov. 05, 2019	Conduction (CO02-CB)
Software	Audix	E3	6.120210n	-	N.C.R.	N.C.R.	Conduction (CO02-CB)
Bilog Antenna with 6dB Attenuator	TESE & EMCI	CBL 6112D & N-6-06	35236 & AT-N0610	30MHz ~ 2GHz	Mar. 28, 2019	Mar. 27, 2020	Radiation (03CH05-CB)
Loop Antenna	Teseq	HLA 6120	24155	9kHz - 30 MHz	Mar. 29, 2019	Mar. 28, 2020	Radiation (03CH05-CB)
Horn Antenna	SCHWARZBECK	BBHA9120D	BBHA 9120D-1291	1GHz~18GHz	Oct. 12, 2018	Oct. 11, 2019	Radiation (03CH05-CB)
Horn Antenna	SCHWARZBECK	BBHA 9170	BBHA9170507	15GHz ~ 40GHz	Jun. 12, 2019	Jun. 11, 2020	Radiation (03CH05-CB)
Pre-Amplifier	EMCI	EMC330N	980331	20MHz ~ 3GHz	May 02, 2019	May 01, 2020	Radiation (03CH05-CB)
Pre-Amplifier	EMCI	EMC12630S E	980287	1GHz ~ 26.5GHz	Mar. 28, 2019	Mar. 27, 2020	Radiation (03CH05-CB)
Pre-Amplifier	MITEQ	TTA1840-35-HG	1864479	18GHz ~ 40GHz	Jul. 03, 2019	Jul. 02, 2020	Radiation (03CH05-CB)
Spectrum Analyzer	R&S	FSP40	100056	9kHz ~ 40GHz	Jan. 31, 2019	Jan. 30, 2020	Radiation (03CH05-CB)
EMI Test Receiver	R&S	ESCS	826547/017	9kHz ~ 2.75GHz	May 15, 2019	May 14, 2020	Radiation (03CH05-CB)
RF Cable-low	Woken	RG402	LOW Cable-04+23	30MHz~1GHz	Oct. 08, 2018	Oct. 07, 2019	Radiation (03CH05-CB)
RF Cable-high	Woken	RG402	High Cable-04	1GHz~18GHz	Oct. 08, 2018	Oct. 07, 2019	Radiation (03CH05-CB)
RF Cable-high	Woken	RG402	High Cable-04+23	30MHz~18GHz	Oct. 08, 2018	Oct. 07, 2019	Radiation (03CH05-CB)
RF Cable-high	Woken	RG402	High Cable-40G#1	18GHz ~ 40 GHz	Jul. 24, 2019	Jul. 23, 2020	Radiation (03CH05-CB)
RF Cable-high	Woken	RG402	High Cable-40G#2	18GHz ~ 40 GHz	Jul. 24, 2019	Jul. 23, 2020	Radiation (03CH05-CB)
RF Cable-high	Woken	RG402	High Cable-06	1 GHz ~ 26.5 GHz	Oct. 08, 2018	Oct. 07, 2019	Radiation (03CH05-CB)
RF Cable-high	Woken	RG402	High Cable-07	1 GHz ~ 26.5 GHz	Oct. 08, 2018	Oct. 07, 2019	Radiation (03CH05-CB)



Instrument	Manufacturer	Model No.	Serial No.	Characteristics	Calibration Date	Calibration Due Date	Remark
RF Cable-high	Woken	RG402	High Cable-08	1 GHz –26.5 GHz	Oct. 08, 2018	Oct. 07, 2019	Radiation (03CH05-CB)
RF Cable-high	Woken	RG402	High Cable-09	1 GHz –26.5 GHz	Oct. 08, 2018	Oct. 07, 2019	Radiation (03CH05-CB)
RF Cable-high	Woken	RG402	High Cable-10	1 GHz –26.5 GHz	Oct. 08, 2018	Oct. 07, 2019	Radiation (03CH05-CB)
Mixer	OML	M19HWA	U91113-1	40 ~ 60 GHz	Apr. 04 2019	Apr. 03, 2021*	Radiation (03CH05-CB)
Mixer	OML	M15HWA	V91113-1	50 ~ 75 GHz	Apr. 04 2019	Apr. 03, 2021*	Radiation (03CH05-CB)
Mixer	OML	M12HWA	E91113-1	60 ~ 90 GHz	Apr. 04 2019	Apr. 03, 2021*	Radiation (03CH05-CB)
Mixer	OML	M08HWA	F91113-1	90 ~ 140 GHz	Apr. 04 2019	Apr. 03, 2021*	Radiation (03CH05-CB)
Mixer	OML	M05HW/A	G91113-1	140 ~ 220 GHz	Apr. 04 2019	Apr. 03, 2021*	Radiation (03CH05-CB)
Detector	Millitech	DET-15-RPF W0	#A18185(074)	50 ~ 75 GHz	Jan. 29, 2018*	Jan. 29, 2020*	Radiation (03CH05-CB)
Pico Scope	Pico	Pico Scope 6402C	CX372/002	N/A	Jul. 07, 2019	Jul. 06, 2020	Radiation (03CH05-CB)
Standard Horn Antenna	Custom Microwave	M19RH	U91113-A	40 ~ 60 GHz	N.C.R	N.C.R	Radiation (03CH05-CB)
Standard Horn Antenna	Custom Microwave	M15RH	V91113-A	50 ~ 75 GHz	N.C.R	N.C.R	Radiation (03CH05-CB)
Standard Horn Antenna	Custom Microwave	M12RH	E91113-A	60 ~ 90 GHz	N.C.R	N.C.R	Radiation (03CH05-CB)
Standard Horn Antenna	Custom Microwave	M08RH	F91113-A	90 ~ 140 GHz	N.C.R	N.C.R	Radiation (03CH05-CB)
Standard Horn Antenna	Custom Microwave	M05RH	G91113-A	140 ~ 220 GHz	N.C.R	N.C.R	Radiation (03CH05-CB)
Temp. and Humidity Chamber	Gaint Force	GTH-408-40-CP-AR	MAA1410-011	-40~100 degree	Sep. 14, 2018	Sep. 13, 2019	Conducted (TH03-CB)

Note: Calibration Interval of instruments listed above is one year.

*** Calibration Interval of instruments listed above is two years.

N.C.R. means Non-Calibration required.



5 Measurement Uncertainty

Test Items	Uncertainty	Remark
Conducted Emission (150kHz ~ 30MHz)	2.0 dB	Confidence levels of 95%
Radiated Emission (30MHz ~ 1,000MHz)	4.3 dB	Confidence levels of 95%
Radiated Emission (1GHz ~ 18GHz)	4.3 dB	Confidence levels of 95%
Radiated Emission (18GHz ~ 40GHz)	5.1 dB	Confidence levels of 95%
Radiated Emission (40GHz ~ 60GHz)	4.6 dB	Confidence levels of 95%
Radiated Emission (60GHz ~ 90GHz)	5.1 dB	Confidence levels of 95%
Radiated Emission (90GHz ~ 200GHz)	5.6 dB	Confidence levels of 95%
Temperature	1°C	Confidence levels of 95%