

FCC EMI TEST REPORT

REPORT NO. : FV672231
MODEL NO. : TL-WPA8630P
RECEIVED DATE : Jul. 17, 2016
FINAL TESTED DATE : Sep. 13, 2016
ISSUED DATE : Nov. 01, 2016

TEST STANDARD : 47 CFR 15.113
FCC 04-245
Canada Standard ICES-006, Issue 2

Filing Type : Verification

APPLICANT : TP-Link Technologies Co., Ltd.
ADDRESS : Building 24 (floors 1,3,4,5) and 28 (floors1-4)
Central Science and Technology Park,Nanshan,
Shenzhen,518057,China

Manufacturer : TP-Link Technologies Co., Ltd.
ADDRESS : Building 24 (floors 1,3,4,5) and 28 (floors1-4)
Central Science and Technology Park,Shennan Rd,
Nanshan, Shenzhen City,Guangdong Province,P.R.
China

ISSUED BY : SPORTON International Inc.
LAB ADDRESS : No. 52, Hwa Ya 1st Rd., Hwa Ya Technology Park,
Kwei-Shan Hsiang, Tao Yuan Hsien, Taiwan, R.O.C.

- The test result refers exclusively to the test presented test model / sample.
- Without written approval of SPORTON International Inc., the test report shall not be reproduced except in full.
- This test report is only applicable to U.S.A. / Canada.

Table of Contents

VERIFICATION OF COMPLIANCE1

1. Summary of Test Results2

2. General Description of Equipment under Test.....3

3. Test Configuration of Equipment under Test4

4. General Information of Test.....10

5. Test of Conducted Emission11

6. Test of Radiated Emission.....16

7. List of Measuring Equipment Used37

8. Uncertainty of Test Site38

Appendix A. TEST PHOTOS A1 ~ A4

History of This Test Report

REPORT NO.	VERSION	ISSUED DATE	Description
FV672231	Rev. 01	Nov. 01, 2016	Initial issue of report

VERIFICATION OF COMPLIANCE

EQUIPMENT NAME : AC1200 Wi-Fi Range Extender,AV1200 Passthrough Powerline Edition

BRAND NAME : TP-Link

MODEL NO. : TL-WPA8630P

APPLICANT : TP-Link Technologies Co., Ltd.

ADDRESS : Building 24 (floors 1,3,4,5) and 28 (floors1-4) Central Science and Technology Park,Nanshan, Shenzhen,518057,China

FINAL TESTED DATE : Sep. 13, 2016

TEST STANDARD : 47 CFR 15.113

FCC 04-245

Canada Standard ICES-006, Issue 2

I HEREBY DECLARE THAT:

The measurements shown in this test report were made in accordance with the procedures given in **ANSI C63.4 – 2014** and **CFR FCC Part15 Subpart B**.

The above equipment has been tested by **SPORTON International Inc. LAB.**, and found compliance with the requirement of the above standards. The test record, data evaluation & Equipment Under Test (EUT) configurations represented herein are true and accurate accounts of the measurements of the sample's EMI characteristics under the conditions specified in this report.

Beck Wu

Beck Wu

SPORTON INTERNATIONAL INC.

1. Summary of Test Results

After estimating all the combination of every test mode, the result shown as below is the worst case.

The EUT has been tested according to the following specifications.

Applicable Standard: CFR FCC Part15 Subpart B and Canada Standard ICES-006, Issue 2				
FCC Test Standard	IC Test Standard	Test Type	Result	Remarks
15.107(c)(2)	5.2.2	AC Power Port Conducted emission test 0.535 MHz to 1.705 MHz	PASS	Meet minimum passing margin is -3.59dB at 1.5397MHz.
15.107(c)(3) 15.109(e) 15.113(e)	5.3	Radiated emission test 9 kHz to 1,000 MHz	PASS	Meet the requirements.

2. General Description of Equipment under Test

Product Detail	
Equipment Name	AC1200 Wi-Fi Range Extender,AV1200 Passthrough Powerline Edition
Model No.	TL-WPA8630P
Brand Name	TP-Link
Power Supply	Internal power supply
Accessories	N/A

2.1. Feature of Equipment under Test

1. The EUT's highest operating frequency is 5.8GHz.
2. For a more detailed features description, please refer to the manufacturer's specifications or the User's Manual.

3. Test Configuration of Equipment under Test

3.1. Test Mode

The following table is a list of the test modes shown in this test report.

Conducted Emissions	
Test Mode	Description
1	Normal Link

Radiated Emissions	
Test Mode	Description
1	Normal Link - EUT Y axis
2	Normal Link - EUT Z axis

For Radiated Emission test below 1GHz:
 Mode 2 generated the worst test result, so it was recorded in this report.
 For Radiated Emission test above 1GHz:
 Mode 2 generated the worst test result for Radiated emission below 1GHz test, thus the measurement for Radiated emission above 1GHz test will follow this same test configuration.

3.2. Description of Support Units

The EUT has been tested as an independent unit together with other necessary accessories or support units. The following support units or accessories were used to form a representative test configuration during the tests.

Support Unit	Brand	Model	FCC ID
NB*4	DELL	E6430	DoC
AC1200 Wi-Fi Range Extender, AV1200 Passthrough Powerline Edition (Device)	TP-Link	TL-WPA8630P	TE7WPA8630P

3.3. EUT Operation Condition

During the test, the following programs under WIN 7 were executed:

The remote notebook executed “ping.exe” to link with the remote notebook through EUT to maintain the connection by LAN and WLAN.

The remote notebook executed “iperf” to link with the EUT to traffic packet data generated software and keep maximum traffic load by LAN.

The EUT and the device were connected through power network.

Traffic for Radiated Emissions only

Building 1

```
sporton@sporton2: ~
[ 3] 1000.0-1001.0 sec 9.99 MBytes 83.8 Mbits/sec
[ 3] 1001.0-1002.0 sec 9.98 MBytes 83.7 Mbits/sec
[ 3] 1002.0-1003.0 sec 9.99 MBytes 83.8 Mbits/sec
[ 3] 1003.0-1004.0 sec 9.98 MBytes 83.7 Mbits/sec
[ 3] 1004.0-1005.0 sec 9.99 MBytes 83.8 Mbits/sec
[ 3] 1005.0-1006.0 sec 9.99 MBytes 83.8 Mbits/sec
[ 3] 1006.0-1007.0 sec 9.98 MBytes 83.7 Mbits/sec
[ 3] 1007.0-1008.0 sec 9.99 MBytes 83.8 Mbits/sec
[ 3] 1008.0-1009.0 sec 9.99 MBytes 83.8 Mbits/sec
[ 3] 1009.0-1010.0 sec 9.99 MBytes 83.8 Mbits/sec
[ 3] 1010.0-1011.0 sec 9.99 MBytes 83.8 Mbits/sec
[ 3] 1011.0-1012.0 sec 10.0 MBytes 83.9 Mbits/sec
[ 3] 1012.0-1013.0 sec 9.97 MBytes 83.6 Mbits/sec
[ 3] 1013.0-1014.0 sec 10.0 MBytes 83.8 Mbits/sec
[ 3] 1014.0-1015.0 sec 9.98 MBytes 83.7 Mbits/sec
[ 3] 1015.0-1016.0 sec 9.99 MBytes 83.8 Mbits/sec
[ 3] 1016.0-1017.0 sec 9.99 MBytes 83.8 Mbits/sec
[ 3] 1017.0-1018.0 sec 9.98 MBytes 83.7 Mbits/sec
[ 3] 1018.0-1019.0 sec 10.0 MBytes 83.9 Mbits/sec
[ 3] 1019.0-1020.0 sec 9.98 MBytes 83.7 Mbits/sec
[ 3] 1020.0-1021.0 sec 9.99 MBytes 83.8 Mbits/sec
[ 3] 1021.0-1022.0 sec 9.98 MBytes 83.7 Mbits/sec
[ 3] 1022.0-1023.0 sec 9.99 MBytes 83.8 Mbits/sec
```


Building 2

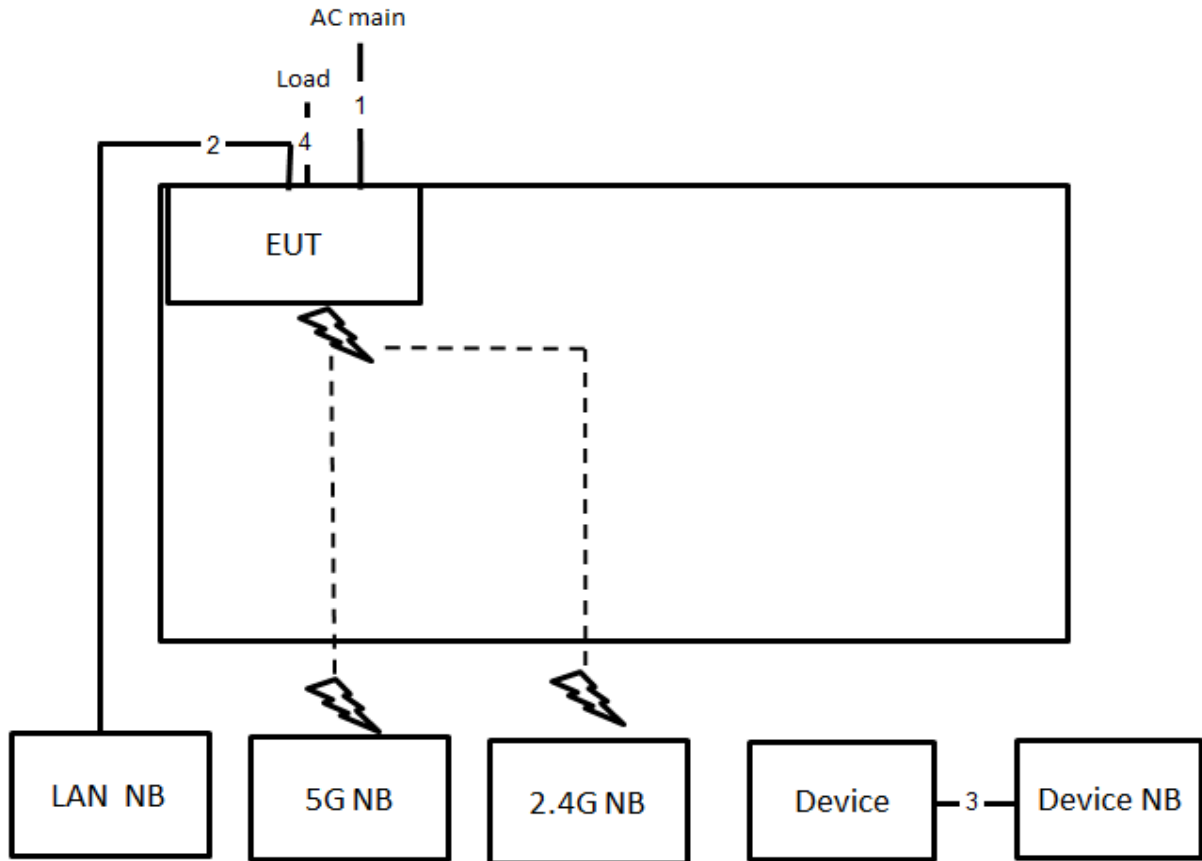
```
sporton@sporton2: ~
[ 3] 1017.0-1018.0 sec 9.98 MBytes 83.7 Mbits/sec
[ 3] 1018.0-1019.0 sec 10.0 MBytes 83.9 Mbits/sec
[ 3] 1019.0-1020.0 sec 9.98 MBytes 83.7 Mbits/sec
[ 3] 1020.0-1021.0 sec 9.99 MBytes 83.8 Mbits/sec
[ 3] 1021.0-1022.0 sec 9.98 MBytes 83.7 Mbits/sec
[ 3] 1022.0-1023.0 sec 9.99 MBytes 83.8 Mbits/sec
[ 3] 1023.0-1024.0 sec 10.0 MBytes 83.8 Mbits/sec
[ 3] 1024.0-1025.0 sec 9.99 MBytes 83.8 Mbits/sec
[ 3] 1025.0-1026.0 sec 9.99 MBytes 83.8 Mbits/sec
[ 3] 1026.0-1027.0 sec 9.97 MBytes 83.7 Mbits/sec
[ 3] 1027.0-1028.0 sec 10.0 MBytes 83.8 Mbits/sec
[ 3] 1028.0-1029.0 sec 9.99 MBytes 83.8 Mbits/sec
[ 3] 1029.0-1030.0 sec 9.98 MBytes 83.7 Mbits/sec
[ 3] 1030.0-1031.0 sec 9.98 MBytes 83.7 Mbits/sec
[ 3] 1031.0-1032.0 sec 10.0 MBytes 83.8 Mbits/sec
[ 3] 1032.0-1033.0 sec 10.0 MBytes 83.8 Mbits/sec
[ 3] 1033.0-1034.0 sec 9.97 MBytes 83.7 Mbits/sec
[ 3] 1034.0-1035.0 sec 9.99 MBytes 83.8 Mbits/sec
[ 3] 1035.0-1036.0 sec 9.99 MBytes 83.8 Mbits/sec
[ 3] 1036.0-1037.0 sec 9.99 MBytes 83.8 Mbits/sec
[ 3] 1037.0-1038.0 sec 9.98 MBytes 83.7 Mbits/sec
[ 3] 1038.0-1039.0 sec 9.99 MBytes 83.8 Mbits/sec
[ 3] 1039.0-1040.0 sec 9.98 MBytes 83.7 Mbits/sec
```

Building 3

```
sporton@sporton2: ~
[ 3] 1036.0-1037.0 sec 9.99 MBytes 83.8 Mbits/sec
[ 3] 1037.0-1038.0 sec 9.98 MBytes 83.7 Mbits/sec
[ 3] 1038.0-1039.0 sec 9.99 MBytes 83.8 Mbits/sec
[ 3] 1039.0-1040.0 sec 9.98 MBytes 83.7 Mbits/sec
[ 3] 1040.0-1041.0 sec 9.99 MBytes 83.8 Mbits/sec
[ 3] 1041.0-1042.0 sec 9.99 MBytes 83.8 Mbits/sec
[ 3] 1042.0-1043.0 sec 9.98 MBytes 83.8 Mbits/sec
[ 3] 1043.0-1044.0 sec 9.99 MBytes 83.8 Mbits/sec
[ 3] 1044.0-1045.0 sec 9.99 MBytes 83.8 Mbits/sec
[ 3] 1045.0-1046.0 sec 9.99 MBytes 83.8 Mbits/sec
[ 3] 1046.0-1047.0 sec 9.98 MBytes 83.7 Mbits/sec
[ 3] 1047.0-1048.0 sec 10.0 MBytes 83.8 Mbits/sec
[ 3] 1048.0-1049.0 sec 9.97 MBytes 83.7 Mbits/sec
[ 3] 1049.0-1050.0 sec 10.0 MBytes 83.8 Mbits/sec
[ 3] 1050.0-1051.0 sec 9.99 MBytes 83.8 Mbits/sec
[ 3] 1051.0-1052.0 sec 9.98 MBytes 83.7 Mbits/sec
[ 3] 1052.0-1053.0 sec 10.0 MBytes 83.8 Mbits/sec
[ 3] 1053.0-1054.0 sec 9.99 MBytes 83.8 Mbits/sec
[ 3] 1054.0-1055.0 sec 9.98 MBytes 83.7 Mbits/sec
[ 3] 1055.0-1056.0 sec 10.0 MBytes 83.8 Mbits/sec
[ 3] 1056.0-1057.0 sec 9.98 MBytes 83.7 Mbits/sec
[ 3] 1057.0-1058.0 sec 9.99 MBytes 83.8 Mbits/sec
[ 3] 1058.0-1059.0 sec 9.99 MBytes 83.8 Mbits/sec
```

3.4. Connection Diagram of Test System

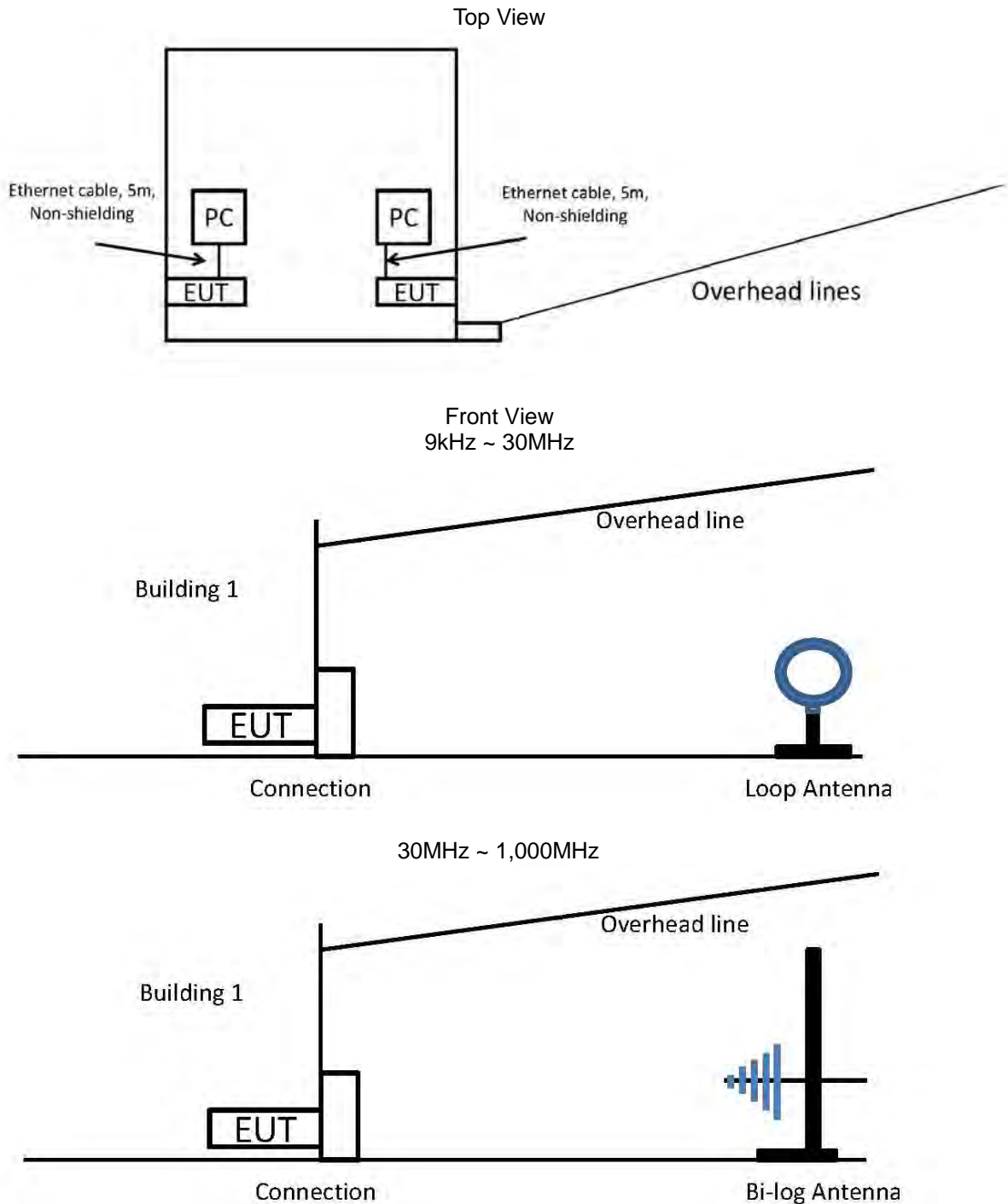
3.4.1. AC Power Line Conduction Emissions Test Configuration



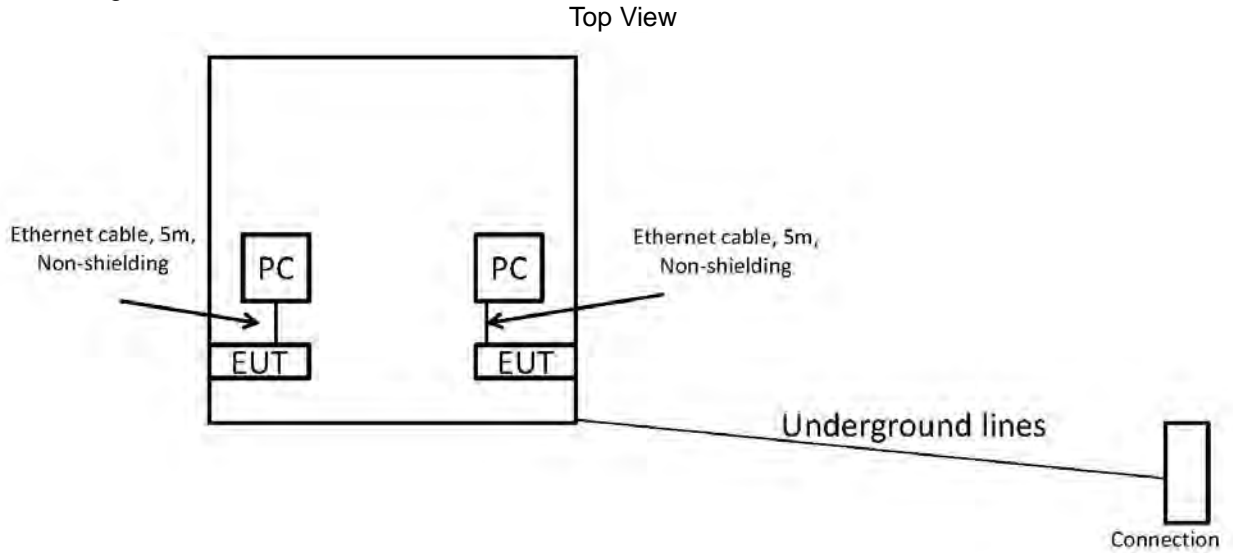
Item	Connection	Shielded	Length
1	Power cable	No	1.8m
2	RJ-45 cable	No	10m
3	RJ-45 cable	No	1.5m
4	RJ-45 cable*2	No	1.5m

3.4.2. Radiated Emissions Test Configuration

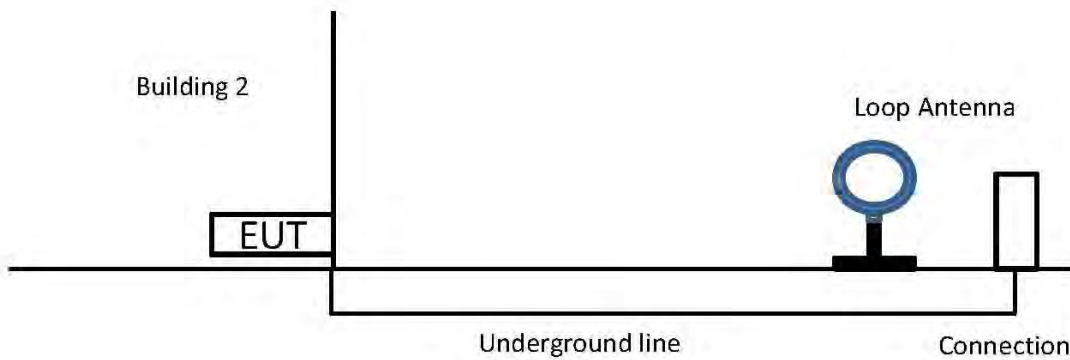
For overhead lines installations



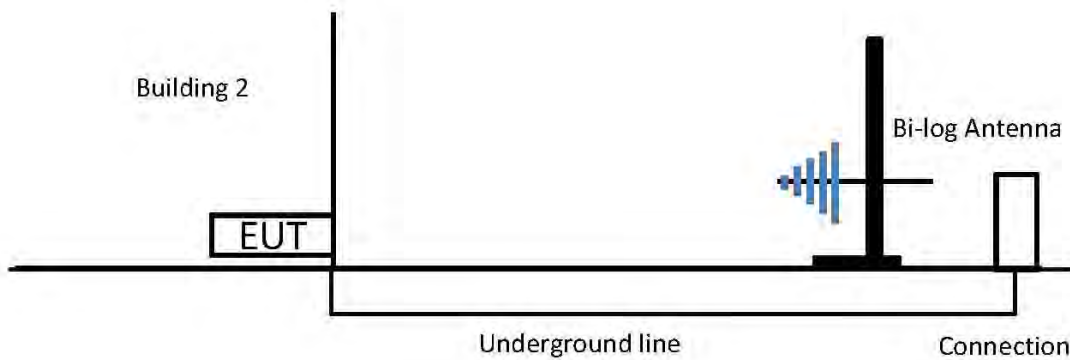
For underground lines installations



Front View
9kHz ~ 30MHz



30MHz ~ 1,000MHz



4. General Information of Test

4.1. Test Facility

Test Site Location : No.8, Lane 724, Bo-ai St., Jhubei City,
 Hsinchu County 302, Taiwan, R.O.C.

TEL : 886-3-656-9065

FAX : 886-3-656-9085

Test Site No. : Conduction: CO02-CB

Buildings With Overhead Lines: Test site No. 1

Buildings with Underground Lines: Test site No. 2

Buildings With Overhead Lines: Test site No. 3

4.2. Test Voltage

Power Type	Test Voltage
AC Power Supply	120 V / 60 Hz

4.3. Standard for Methods of Measurement

ANSI C63.4-2014

4.4. Frequency Range Investigated

Test Items	Frequency Range
Conducted emission test	0.535 MHz to 1.705 MHz
Radiated emission test	9 kHz to 1,000 MHz

5. Test of Conducted Emission

5.1. Limit

For a Low-power Radio-frequency Device which is designed to be connected to the AC power line, the radio frequency voltage that is conducted back onto the AC power line on any frequency or frequencies within the band 150 kHz to 30 MHz shall not exceed below limits table.

Frequency (MHz)	QP Limit (dBuV)	AV Limit (dBuV)
0.15~0.5	66~56	56~46
0.5~5	56	46
5~30	60	50

The limits shown above shall not apply to carrier current systems operating as unintentional radiators on frequencies below 30 MHz. In lieu thereof, these carriercurrent systems shall be subject to the following standards:

- (1) For carrier current systems containing their fundamental emission within the frequency band 535-1705 kHz and intended to be received using a AM broadcast receiver: no limit on conducted emissions.
- (2) For all other carrier current systems: 1000 uV within the frequency band 535-1705 kHz, as measured using a 50 µH/50 ohms LISN

Frequency (MHz)	Limit (uV)	Limit (dBuV)
0.535 ~ 1.705	1000	60

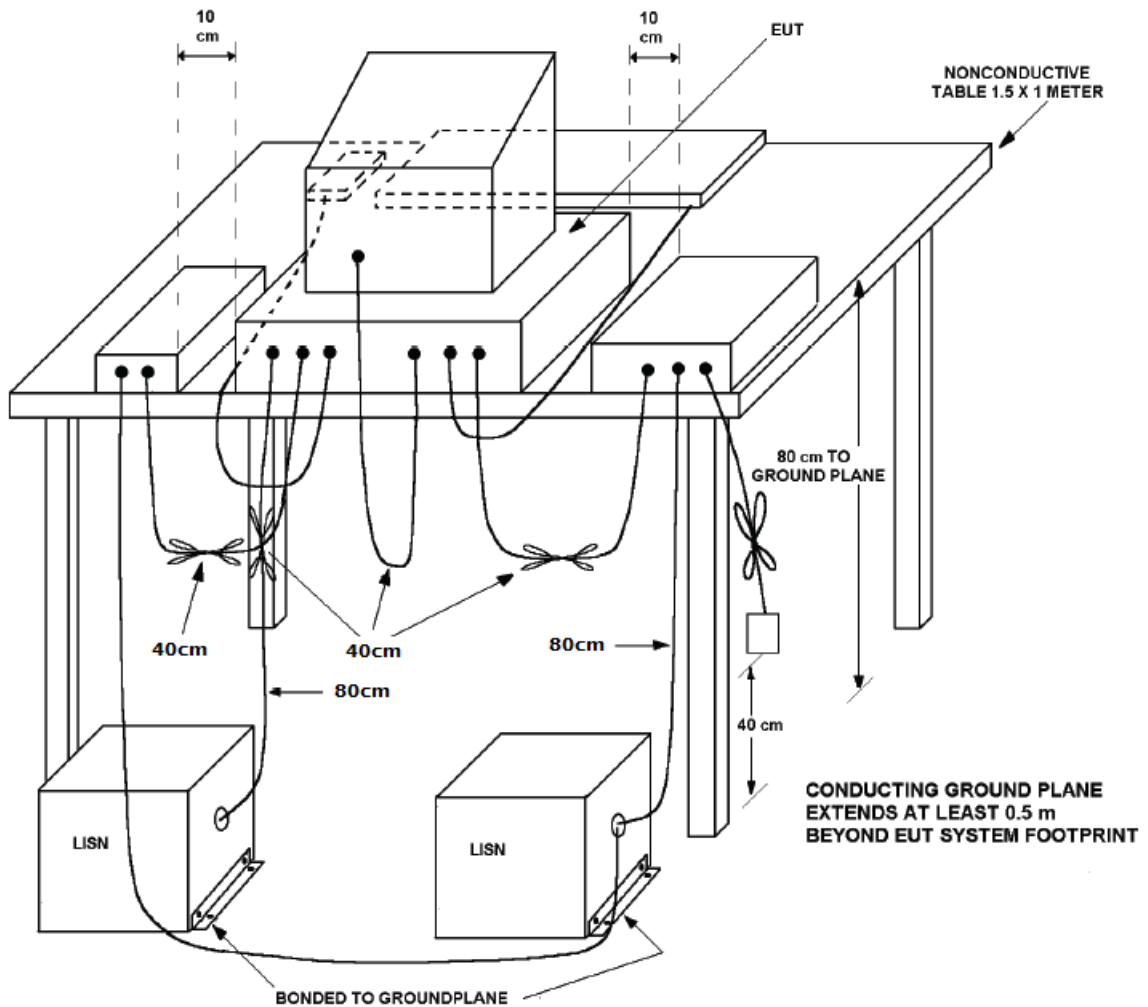
5.2. Description of Major Test Instruments

Receiver Parameters	Setting
Start Frequency	0.535 MHz
Stop Frequency	1.705 MHz
RBW	200 Hz for 9 kHz ~ 150 kHz / 9 kHz for 150 kHz ~ 30 MHz

5.3. Test Procedures

- a. The EUT was placed 0.4 meter from the conducting wall of the shielding room was kept at least 80 centimeters from any other grounded conducting surface.
- b. Connect EUT to the power mains through a line impedance stabilization network (LISN).
- c. All the support units are connect to the other LISN.
- d. The LISN provides 50 Ω coupling impedance for the measuring instrument.
- e. The FCC states that a 50 Ω , 50 μ H LISN should be used.
- f. Both sides of AC line were checked for maximum conducted interference.
- g. The frequency range from 0.535 MHz to 1.705 MHz was searched.
- h. Set the test-receiver system to Peak Detect Function and Specified Bandwidth with Maximum Hold Mode.

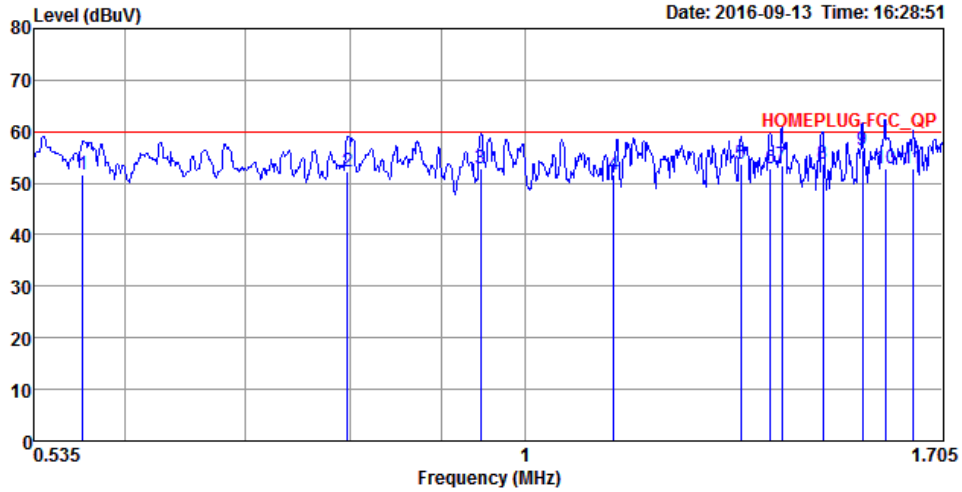
5.4. Typical Test Setup Layout of Conducted Emission



5.5. Test Result of AC Power Ports

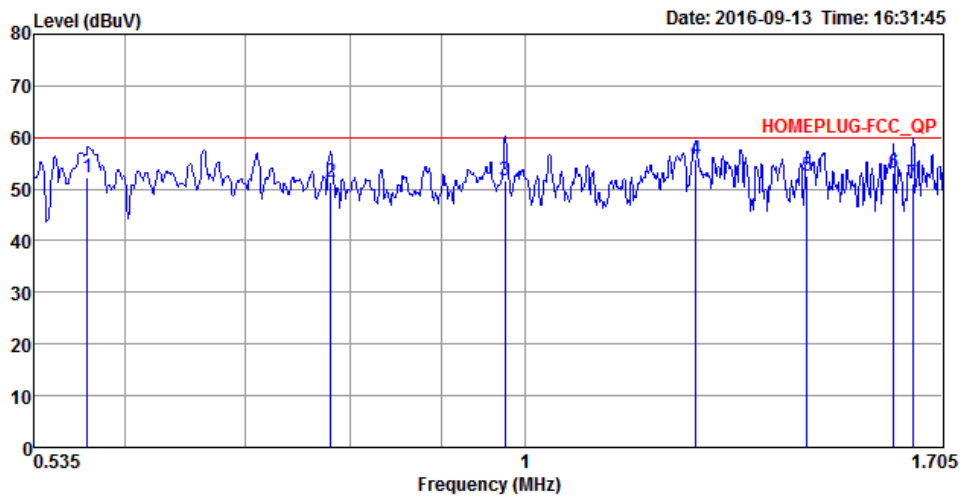
Temperature	23°C	Humidity	59%
Test Engineer	Hank Yang	Frequency Range	0.535 MHz to 1.705 MHz
Test Mode	Mode 1		

Line



	Freq	Level	Over Limit	Limit Line	Read Level	LISN Factor	Cable Loss	Remark	Pol/Phase
	MHz	dBuV	dB	dBuV	dBuV	dB	dB		
1	0.5689	51.72	-8.28	60.00	41.49	10.03	0.20	QP	LINE
2	0.7980	52.15	-7.85	60.00	41.92	10.04	0.19	QP	LINE
3	0.9452	52.92	-7.08	60.00	42.68	10.05	0.19	QP	LINE
4	1.1200	51.66	-8.34	60.00	41.41	10.05	0.20	QP	LINE
5	1.3182	53.76	-6.24	60.00	43.49	10.06	0.21	QP	LINE
6	1.3680	52.82	-7.18	60.00	42.54	10.06	0.22	QP	LINE
7	1.3888	53.43	-6.57	60.00	43.15	10.06	0.22	QP	LINE
8	1.4631	53.63	-6.37	60.00	43.34	10.07	0.22	QP	LINE
9	1.5397	56.41	-3.59	60.00	46.11	10.07	0.23	QP	LINE
10	1.5849	52.72	-7.28	60.00	42.42	10.07	0.23	QP	LINE
11	1.6410	52.75	-7.25	60.00	42.45	10.07	0.23	QP	LINE

Neutral



	Freq	Level	Over Limit	Limit Line	Read Level	LISN Factor	Cable Loss	Remark	Pol/Phase
	MHz	dBuV	dB	dBuV	dBuV	dB	dB		
1	0.5722	52.16	-7.84	60.00	41.99	9.97	0.20	QP	NEUTRAL
2	0.7806	51.33	-8.67	60.00	41.17	9.97	0.19	QP	NEUTRAL
3	0.9752	51.77	-8.23	60.00	41.61	9.97	0.19	QP	NEUTRAL
4	1.2440	55.70	-4.30	60.00	45.51	9.98	0.21	QP	NEUTRAL
5	1.4346	52.67	-7.33	60.00	42.47	9.98	0.22	QP	NEUTRAL
6	1.6016	53.10	-6.90	60.00	42.89	9.98	0.23	QP	NEUTRAL
7	1.6410	51.21	-8.79	60.00	41.00	9.98	0.23	QP	NEUTRAL

6. Test of Radiated Emission

6.1. Limit

Frequencies (MHz)	Field Strength (micorvolts/meter)	Measurement Distance (meters)
0.009~0.490	2400/F(kHz)	300
0.490~1.705	24000/F(kHz)	30
1.705~30.0	30	30
30~88	100	3
88~216	150	3
216~960	200	3
Above 960	500	3

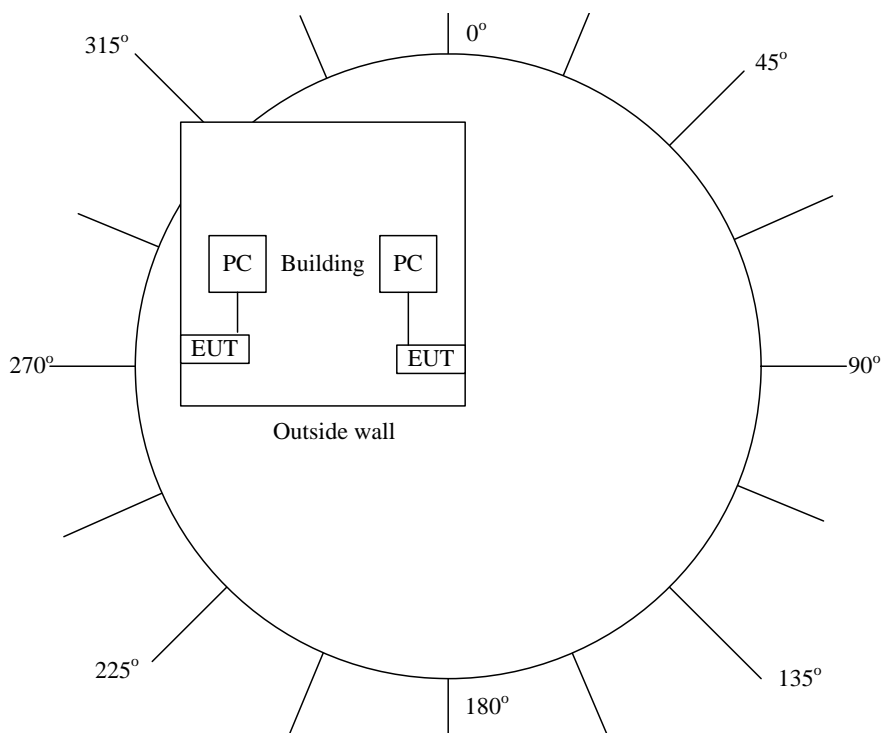
6.2. Description of Major Test Instruments

Receiver Parameter	Setting
Center Frequency	Fundamental Frequency
RBW	200 Hz for 9 kHz ~150 kHz / 9 kHz for 150 kHz ~ 30MHz 120 kHz for 30 MHz to 1,000 MHz
Detector	Quasi-Peak

6.3. Test Procedures

- a. Configure the EUT to normal operation mode. EUT installed in a building on an outside wall on the ground floor or first floor. Testing shall be performed on three typical installations.
- b. Power on the EUT and all the supporting units.
- c. Measurements shall be made at positions around the building perimeter where the maximum emissions occur. ANSI C63.4-2014, specifies a minimum of 16 radial angles surrounding the EUT (building perimeter).
- d. For frequencies below 30 MHz, an active or passive magnetic loop is used. The magnetic loop antenna should be at 1 meter height and the emission maximized over 180 degrees. When using active magnetic loops, care should be taken to prevent ambient signals from overloading the spectrum analyzer.
- e. For frequencies above 30 MHz, a bicon antenna is used. The signal shall be maximized from 1 to 4 meter antenna height for both horizontal and vertical polarizations in accordance to ANSI C63.4-2014 procedures.

6.4. Typical Test Setup Layout of Radiated Emission



6.5. Test Result of Radiated Emission

Temperature	33°C	Humidity	72%
Test Engineer	Hank Yang	Test Mode	Mode 2
Test Date	Jul. 17, 2016	Configuration	Building 1

Measured at 0° position (Building 1)

Freq. (MHz)	Level (dBuV/m)	Over Limit (dB)	Limit Line (dBuV/m) at 3m	Polarization
1.02	31.49	-38.05	69.54	-
2.04	27.16	-42.38	69.54	-
18.34	27.43	-42.11	69.54	-
35.57	26.31	-13.69	40.00	-
80.48	27.40	-12.60	40.00	Horizontal
96.74	31.42	-12.08	43.50	Horizontal
163.83	30.44	-13.06	43.50	Vertical
379.51	27.93	-18.07	46.00	-
864.27	28.17	-17.83	46.00	-

Measured at 22.5° position (Building 1)

Freq. (MHz)	Level (dBuV/m)	Over Limit (dB)	Limit Line (dBuV/m) at 3m	Polarization
1.02	30.61	-38.93	69.54	-
2.04	25.37	-44.17	69.54	-
18.34	28.26	-41.28	69.54	-
35.57	27.46	-12.54	40.00	Horizontal
80.48	27.18	-12.82	40.00	Vertical
96.74	30.18	-13.32	43.50	-
163.83	30.91	-12.59	43.50	Vertical
379.51	27.41	-18.59	46.00	-
864.27	26.83	-19.17	46.00	-

Measured at 45° position (Building 1)

Freq. (MHz)	Level (dBuV/m)	Over Limit (dB)	Limit Line (dBuV/m) at 3m	Polarization
1.02	32.89	-36.65	69.54	-
2.04	27.15	-42.39	69.54	-
18.34	28.07	-41.47	69.54	-
35.57	29.36	-10.64	40.00	Vertical
80.48	28.40	-11.60	40.00	Vertical
96.74	29.36	-14.14	43.50	-
163.83	31.13	-12.37	43.50	Horizontal
379.51	27.45	-18.55	46.00	-
864.27	26.81	-19.19	46.00	-

Measured at 67.5° position (Building 1)

Freq. (MHz)	Level (dBuV/m)	Over Limit (dB)	Limit Line (dBuV/m) at 3m	Polarization
1.02	30.58	-38.96	69.54	-
2.04	26.31	-43.23	69.54	-
18.34	29.35	-40.19	69.54	-
35.57	28.63	-11.37	40.00	Vertical
80.48	27.46	-12.54	40.00	Horizontal
96.74	29.36	-14.14	43.50	-
163.83	32.86	-10.64	43.50	Vertical
379.51	26.48	-19.52	46.00	-
864.27	27.19	-18.81	46.00	-

Measured at 90° position (Building 1)

Freq. (MHz)	Level (dBuV/m)	Over Limit (dB)	Limit Line (dBuV/m) at 3m	Polarization
1.02	31.28	-38.26	69.54	-
2.04	27.46	-42.08	69.54	-
18.34	28.75	-40.79	69.54	-
35.57	29.83	-10.17	40.00	Horizontal
80.48	26.51	-13.49	40.00	-
96.74	30.29	-13.21	43.50	Horizontal
163.83	31.79	-11.71	43.50	Vertical
379.51	27.49	-18.51	46.00	-
864.27	26.38	-19.62	46.00	-

Measured at 112.5° position (Building 1)

Freq. (MHz)	Level (dBuV/m)	Over Limit (dB)	Limit Line (dBuV/m) at 3m	Polarization
1.02	31.44	-38.10	69.54	-
2.04	28.67	-40.87	69.54	-
18.34	27.46	-42.08	69.54	-
35.57	27.59	-12.41	40.00	Horizontal
80.48	26.10	-13.90	40.00	-
96.74	30.87	-12.63	43.50	Vertical
163.83	29.97	-13.53	43.50	Horizontal
379.51	28.65	-17.35	46.00	-
864.27	25.32	-20.68	46.00	-

Measured at 135° position (Building 1)

Freq. (MHz)	Level (dBuV/m)	Over Limit (dB)	Limit Line (dBuV/m) at 3m	Polarization
1.02	31.23	-38.31	69.54	-
2.04	27.49	-42.05	69.54	-
18.34	28.65	-40.89	69.54	-
35.57	27.38	-12.62	40.00	Vertical
80.48	26.17	-13.83	40.00	-
96.74	30.17	-13.33	43.50	Horizontal
163.83	31.56	-11.94	43.50	Vertical
379.51	27.66	-18.34	46.00	-
864.27	26.83	-19.17	46.00	-

Measured at 157.5° position (Building 1)

Freq. (MHz)	Level (dBuV/m)	Over Limit (dB)	Limit Line (dBuV/m) at 3m	Polarization
1.02	31.74	-37.80	69.54	-
2.04	27.09	-42.45	69.54	-
18.34	26.83	-42.71	69.54	-
35.57	27.25	-12.75	40.00	Vertical
80.48	26.69	-13.31	40.00	-
96.74	31.53	-11.97	43.50	Horizontal
163.83	30.38	-13.12	43.50	Horizontal
379.51	27.57	-18.43	46.00	-
864.27	26.34	-19.66	46.00	-

Measured at 180° position (Building 1)

Freq. (MHz)	Level (dBuV/m)	Over Limit (dB)	Limit Line (dBuV/m) at 3m	Polarization
1.02	31.28	-38.26	69.54	-
2.04	26.74	-42.80	69.54	-
18.34	28.35	-41.19	69.54	-
35.57	27.91	-12.09	40.00	Horizontal
80.48	27.41	-12.59	40.00	Vertical
96.74	30.86	-12.64	43.50	-
163.83	33.32	-10.18	43.50	Vertical
379.51	27.08	-18.92	46.00	-
864.27	27.30	-18.70	46.00	-

Measured at 202.5° position (Building 1)

Freq. (MHz)	Level (dBuV/m)	Over Limit (dB)	Limit Line (dBuV/m) at 3m	Polarization
1.02	31.42	-38.12	69.54	-
2.04	27.39	-42.15	69.54	-
18.34	28.16	-41.38	69.54	-
35.57	27.48	-12.52	40.00	-
80.48	27.50	-12.50	40.00	Vertical
96.74	32.07	-11.43	43.50	Horizontal
163.83	31.12	-12.38	43.50	Vertical
379.51	27.16	-18.84	46.00	-
864.27	28.24	-17.76	46.00	-

Measured at 225° position (Building 1)

Freq. (MHz)	Level (dBuV/m)	Over Limit (dB)	Limit Line (dBuV/m) at 3m	Polarization
1.02	32.43	-37.11	69.54	-
2.04	28.12	-41.42	69.54	-
18.34	28.57	-40.97	69.54	-
35.57	27.19	-12.81	40.00	Horizontal
80.48	26.02	-13.98	40.00	-
96.74	31.68	-11.82	43.50	Vertical
163.83	30.88	-12.62	43.50	Vertical
379.51	27.14	-18.86	46.00	-
864.27	28.28	-17.72	46.00	-

Measured at 247.5° position (Building 1)

Freq. (MHz)	Level (dBuV/m)	Over Limit (dB)	Limit Line (dBuV/m) at 3m	Polarization
1.02	31.59	-37.95	69.54	-
2.04	27.91	-41.63	69.54	-
18.34	28.14	-41.40	69.54	-
35.57	27.52	-12.48	40.00	Horizontal
80.48	28.38	-11.62	40.00	Horizontal
96.74	30.74	-12.76	43.50	-
163.83	31.40	-12.10	43.50	Vertical
379.51	27.14	-18.86	46.00	-
864.27	28.06	-17.94	46.00	-

Measured at 270° position (Building 1)

Freq. (MHz)	Level (dBuV/m)	Over Limit (dB)	Limit Line (dBuV/m) at 3m	Polarization
1.02	31.49	-38.05	69.54	-
2.04	27.53	-42.01	69.54	-
18.34	28.08	-41.46	69.54	-
35.57	27.26	-12.74	40.00	Horizontal
80.48	28.31	-11.69	40.00	Vertical
96.74	30.49	-13.01	43.50	-
163.83	31.09	-12.41	43.50	Vertical
379.51	27.83	-18.17	46.00	-
864.27	27.11	-18.89	46.00	-

Measured at 292.5° position (Building 1)

Freq. (MHz)	Level (dBuV/m)	Over Limit (dB)	Limit Line (dBuV/m) at 3m	Polarization
1.02	31.24	-38.30	69.54	-
2.04	27.68	-41.86	69.54	-
18.34	26.97	-42.57	69.54	-
35.57	27.18	-12.82	40.00	Horizontal
80.48	26.45	-13.55	40.00	-
96.74	31.96	-11.54	43.50	Vertical
163.83	31.83	-11.67	43.50	Vertical
379.51	27.17	-18.83	46.00	-
864.27	26.35	-19.65	46.00	-

Measured at 315° position (Building 1)

Freq. (MHz)	Level (dBuV/m)	Over Limit (dB)	Limit Line (dBuV/m) at 3m	Polarization
1.02	31.87	-37.67	69.54	-
2.04	27.93	-41.61	69.54	-
18.34	28.14	-41.40	69.54	-
35.57	27.15	-12.85	40.00	Horizontal
80.48	26.16	-13.84	40.00	Horizontal
96.74	29.33	-14.17	43.50	-
163.83	31.47	-12.03	43.50	Horizontal
379.51	27.53	-18.47	46.00	-
864.27	26.35	-19.65	46.00	-

Measured at 337.5° position (Building 1)

Freq. (MHz)	Level (dBuV/m)	Over Limit (dB)	Limit Line (dBuV/m) at 3m	Polarization
1.02	31.28	-38.26	69.54	-
2.04	27.19	-42.35	69.54	-
18.34	27.06	-42.48	69.54	-
35.57	29.00	-11.00	40.00	Horizontal
80.48	28.09	-11.91	40.00	Horizontal
96.74	29.81	-13.69	43.50	-
163.83	31.74	-11.76	43.50	Vertical
379.51	27.41	-18.59	46.00	-
864.27	28.92	-17.08	46.00	-

Note1:

Emission level (dBuV/m) = 20 log Emission level (uV/m).

Distance extrapolation factor below 30MHz = 40 log (specific distance / test distance) (dB);

Limit line = specific limits (dBuV) + distance extrapolation factor.

The other emission levels were very low against the limit so it didn't record in the test report.

Note2:

The tables recorded the polarization for three worst cases.

Temperature	32°C	Humidity	62%
Test Engineer	Hank Yang	Test Mode	Mode 2
Test Date	Jul. 23, 2016	Configuration	Building 2

Measured at 0° position (Building 2)

Freq. (MHz)	Level (dBuV/m)	Over Limit (dB)	Limit Line (dBuV/m) at 3m	Polarization
1.02	31.49	-38.05	69.54	-
2.03	27.16	-42.38	69.54	-
16.31	27.43	-42.11	69.54	-
40.60	26.31	-13.69	40.00	Horizontal
71.84	27.40	-12.60	40.00	Horizontal
108.12	31.42	-12.08	43.50	Vertical
237.38	30.44	-15.56	46.00	-
459.63	27.93	-18.07	46.00	-
786.25	28.17	-17.83	46.00	-

Measured at 22.5° position (Building 2)

Freq. (MHz)	Level (dBuV/m)	Over Limit (dB)	Limit Line (dBuV/m) at 3m	Polarization
1.02	30.61	-38.93	69.54	-
2.03	25.37	-44.17	69.54	-
16.31	28.26	-41.28	69.54	-
40.60	27.46	-12.54	40.00	Horizontal
71.84	27.18	-12.82	40.00	Vertical
108.12	30.18	-13.32	43.50	Vertical
237.38	30.91	-15.09	46.00	-
459.63	27.41	-18.59	46.00	-
786.25	26.83	-19.17	46.00	-

Measured at 45° position (Building 2)

Freq. (MHz)	Level (dBuV/m)	Over Limit (dB)	Limit Line (dBuV/m) at 3m	Polarization
1.02	32.89	-36.65	69.54	-
2.03	27.15	-42.39	69.54	-
16.31	28.07	-41.47	69.54	-
40.60	29.36	-10.64	40.00	Vertical
71.84	28.40	-11.60	40.00	Vertical
108.12	29.36	-14.14	43.50	Horizontal
237.38	31.13	-14.87	46.00	-
459.63	27.45	-18.55	46.00	-
786.25	26.81	-19.19	46.00	-

Measured at 67.5° position (Building 2)

Freq. (MHz)	Level (dBuV/m)	Over Limit (dB)	Limit Line (dBuV/m) at 3m	Polarization
1.02	30.58	-38.96	69.54	-
2.03	26.31	-43.23	69.54	-
16.31	29.35	-40.19	69.54	-
40.60	28.63	-11.37	40.00	Vertical
71.84	27.46	-12.54	40.00	Horizontal
108.12	29.36	-14.14	43.50	-
237.38	32.86	-13.14	46.00	Vertical
459.63	26.48	-19.52	46.00	-
786.25	27.19	-18.81	46.00	-

Measured at 90° position (Building 2)

Freq. (MHz)	Level (dBuV/m)	Over Limit (dB)	Limit Line (dBuV/m) at 3m	Polarization
1.02	31.28	-38.26	69.54	-
2.03	27.46	-42.08	69.54	-
16.31	28.75	-40.79	69.54	-
40.60	29.83	-10.17	40.00	Horizontal
71.84	26.51	-13.49	40.00	Horizontal
108.12	30.29	-13.21	43.50	Vertical
237.38	31.79	-14.21	46.00	-
459.63	27.49	-18.51	46.00	-
786.25	26.38	-19.62	46.00	-

Measured at 112.5° position (Building 2)

Freq. (MHz)	Level (dBuV/m)	Over Limit (dB)	Limit Line (dBuV/m) at 3m	Polarization
1.02	31.44	-38.10	69.54	-
2.03	28.67	-40.87	69.54	-
16.31	27.46	-42.08	69.54	-
40.60	27.59	-12.41	40.00	Horizontal
71.84	26.10	-13.90	40.00	Horizontal
108.12	30.87	-12.63	43.50	Vertical
237.38	29.97	-16.03	46.00	-
459.63	28.65	-17.35	46.00	-
786.25	25.32	-20.68	46.00	-

Measured at 135° position (Building 2)

Freq. (MHz)	Level (dBuV/m)	Over Limit (dB)	Limit Line (dBuV/m) at 3m	Polarization
1.02	31.23	-38.31	69.54	-
2.03	27.49	-42.05	69.54	-
16.31	28.65	-40.89	69.54	-
40.60	27.38	-12.62	40.00	Vertical
71.84	26.17	-13.83	40.00	Horizontal
108.12	30.17	-13.33	43.50	Vertical
237.38	31.56	-14.44	46.00	-
459.63	27.66	-18.34	46.00	-
786.25	26.83	-19.17	46.00	-

Measured at 157.5° position (Building 2)

Freq. (MHz)	Level (dBuV/m)	Over Limit (dB)	Limit Line (dBuV/m) at 3m	Polarization
1.02	31.74	-37.80	69.54	-
2.03	27.09	-42.45	69.54	-
16.31	26.83	-42.71	69.54	-
40.60	27.25	-12.75	40.00	Vertical
71.84	26.69	-13.31	40.00	Horizontal
108.12	31.53	-11.97	43.50	Horizontal
237.38	30.38	-15.62	46.00	-
459.63	27.57	-18.43	46.00	-
786.25	26.34	-19.66	46.00	-

Measured at 180° position (Building 2)

Freq. (MHz)	Level (dBuV/m)	Over Limit (dB)	Limit Line (dBuV/m) at 3m	Polarization
1.02	31.28	-38.26	69.54	-
2.03	26.74	-42.80	69.54	-
16.31	28.35	-41.19	69.54	-
40.60	27.91	-12.09	40.00	Horizontal
71.84	27.41	-12.59	40.00	Vertical
108.12	30.86	-12.64	43.50	Vertical
237.38	33.32	-12.68	46.00	-
459.63	27.08	-18.92	46.00	-
786.25	27.30	-18.70	46.00	-

Measured at 202.5° position (Building 2)

Freq. (MHz)	Level (dBuV/m)	Over Limit (dB)	Limit Line (dBuV/m) at 3m	Polarization
1.02	31.42	-38.12	69.54	-
2.03	27.39	-42.15	69.54	-
16.31	28.16	-41.38	69.54	-
40.60	27.48	-12.52	40.00	Vertical
71.84	27.50	-12.50	40.00	Vertical
108.12	32.07	-11.43	43.50	Horizontal
237.38	31.12	-14.88	46.00	-
459.63	27.16	-18.84	46.00	-
786.25	28.24	-17.76	46.00	-

Measured at 225° position (Building 2)

Freq. (MHz)	Level (dBuV/m)	Over Limit (dB)	Limit Line (dBuV/m) at 3m	Polarization
1.02	32.43	-37.11	69.54	-
2.03	28.12	-41.42	69.54	-
16.31	28.57	-40.97	69.54	-
40.60	27.19	-12.81	40.00	Horizontal
71.84	26.02	-13.98	40.00	Vertical
108.12	31.68	-11.82	43.50	Vertical
237.38	30.88	-15.12	46.00	-
459.63	27.14	-18.86	46.00	-
786.25	28.28	-17.72	46.00	-

Measured at 247.5° position (Building 2)

Freq. (MHz)	Level (dBuV/m)	Over Limit (dB)	Limit Line (dBuV/m) at 3m	Polarization
1.02	31.59	-37.95	69.54	-
2.03	27.91	-41.63	69.54	-
16.31	28.14	-41.40	69.54	-
40.60	27.52	-12.48	40.00	Horizontal
71.84	28.38	-11.62	40.00	Horizontal
108.12	30.74	-12.76	43.50	Vertical
237.38	31.40	-14.60	46.00	-
459.63	27.14	-18.86	46.00	-
786.25	28.06	-17.94	46.00	-

Measured at 270° position (Building 2)

Freq. (MHz)	Level (dBuV/m)	Over Limit (dB)	Limit Line (dBuV/m) at 3m	Polarization
1.02	31.49	-38.05	69.54	-
2.03	27.53	-42.01	69.54	-
16.31	28.08	-41.46	69.54	-
40.60	27.26	-12.74	40.00	Horizontal
71.84	28.31	-11.69	40.00	Vertical
108.12	30.49	-13.01	43.50	Vertical
237.38	31.09	-14.91	46.00	-
459.63	27.83	-18.17	46.00	-
786.25	27.11	-18.89	46.00	-

Measured at 292.5° position (Building 2)

Freq. (MHz)	Level (dBuV/m)	Over Limit (dB)	Limit Line (dBuV/m) at 3m	Polarization
1.02	31.24	-38.30	69.54	-
2.03	27.68	-41.86	69.54	-
16.31	26.97	-42.57	69.54	-
40.60	27.18	-12.82	40.00	Horizontal
71.84	26.45	-13.55	40.00	Vertical
108.12	31.96	-11.54	43.50	Vertical
237.38	31.83	-14.17	46.00	-
459.63	27.17	-18.83	46.00	-
786.25	26.35	-19.65	46.00	-

Measured at 315° position (Building 2)

Freq. (MHz)	Level (dBuV/m)	Over Limit (dB)	Limit Line (dBuV/m) at 3m	Polarization
1.02	31.87	-37.67	69.54	-
2.03	27.93	-41.61	69.54	-
16.31	28.14	-41.40	69.54	-
40.60	27.15	-12.85	40.00	Horizontal
71.84	26.16	-13.84	40.00	Horizontal
108.12	29.33	-14.17	43.50	Horizontal
237.38	31.47	-14.53	46.00	-
459.63	27.53	-18.47	46.00	-
786.25	26.35	-19.65	46.00	-

Measured at 337.5° position (Building 2)

Freq. (MHz)	Level (dBuV/m)	Over Limit (dB)	Limit Line (dBuV/m) at 3m	Polarization
1.02	31.28	-38.26	69.54	-
2.03	27.19	-42.35	69.54	-
16.31	27.06	-42.48	69.54	-
40.60	29.00	-11.00	40.00	Horizontal
71.84	28.09	-11.91	40.00	Horizontal
108.12	29.81	-13.69	43.50	Vertical
237.38	31.74	-14.26	46.00	-
459.63	27.41	-18.59	46.00	-
786.25	28.92	-17.08	46.00	-

Note1:

Emission level (dBuV/m) = 20 log Emission level (uV/m).

Distance extrapolation factor below 30MHz = 40 log (specific distance / test distance) (dB);

Limit line = specific limits (dBuV) + distance extrapolation factor.

The other emission levels were very low against the limit so it didn't record in the test report.

Note2:

The tables recorded the polarization for three worst cases.

Temperature	33°C	Humidity	61%
Test Engineer	Hank Yang	Test Mode	Mode 2
Test Date	Jul. 24, 2016	Configuration	Building 3

Measured at 0° position (Building 3)

Freq. (MHz)	Level (dBuV/m)	Over Limit (dB)	Limit Line (dBuV/m) at 3m	Polarization
1.02	31.49	-38.05	69.54	-
2.03	27.16	-42.38	69.54	-
13.48	27.43	-42.11	69.54	-
37.44	26.31	-13.69	40.00	-
63.48	27.40	-12.60	40.00	Horizontal
91.17	31.42	-12.08	43.50	Vertical
129.36	30.44	-13.06	43.50	Horizontal
436.83	27.93	-18.07	46.00	-
817.19	28.17	-17.83	46.00	-

Measured at 22.5° position (Building 3)

Freq. (MHz)	Level (dBuV/m)	Over Limit (dB)	Limit Line (dBuV/m) at 3m	Polarization
1.02	30.61	-38.93	69.54	-
2.03	25.37	-44.17	69.54	-
13.48	28.26	-41.28	69.54	-
37.44	27.46	-12.54	40.00	Horizontal
63.48	27.18	-12.82	40.00	Vertical
91.17	30.18	-13.32	43.50	-
129.36	30.91	-12.59	43.50	Vertical
436.83	27.41	-18.59	46.00	-
817.19	26.83	-19.17	46.00	-

Measured at 45° position (Building 3)

Freq. (MHz)	Level (dBuV/m)	Over Limit (dB)	Limit Line (dBuV/m) at 3m	Polarization
1.02	32.89	-36.65	69.54	-
2.03	27.15	-42.39	69.54	-
13.48	28.07	-41.47	69.54	-
37.44	29.36	-10.64	40.00	Vertical
63.48	28.40	-11.60	40.00	Vertical
91.17	29.36	-14.14	43.50	-
129.36	31.13	-12.37	43.50	Horizontal
436.83	27.45	-18.55	46.00	-
817.19	26.81	-19.19	46.00	-

Measured at 67.5° position (Building 3)

Freq. (MHz)	Level (dBuV/m)	Over Limit (dB)	Limit Line (dBuV/m) at 3m	Polarization
1.02	30.58	-38.96	69.54	-
2.03	26.31	-43.23	69.54	-
13.48	29.35	-40.19	69.54	-
37.44	28.63	-11.37	40.00	Vertical
63.48	27.46	-12.54	40.00	Horizontal
91.17	29.36	-14.14	43.50	-
129.36	32.86	-10.64	43.50	Vertical
436.83	26.48	-19.52	46.00	-
817.19	27.19	-18.81	46.00	-

Measured at 90° position (Building 3)

Freq. (MHz)	Level (dBuV/m)	Over Limit (dB)	Limit Line (dBuV/m) at 3m	Polarization
1.02	31.28	-38.26	69.54	-
2.03	27.46	-42.08	69.54	-
13.48	28.75	-40.79	69.54	-
37.44	29.83	-10.17	40.00	Horizontal
63.48	26.51	-13.49	40.00	-
91.17	30.29	-13.21	43.50	Horizontal
129.36	31.79	-11.71	43.50	Vertical
436.83	27.49	-18.51	46.00	-
817.19	26.38	-19.62	46.00	-

Measured at 112.5° position (Building 3)

Freq. (MHz)	Level (dBuV/m)	Over Limit (dB)	Limit Line (dBuV/m) at 3m	Polarization
1.02	31.44	-38.10	69.54	-
2.03	28.67	-40.87	69.54	-
13.48	27.46	-42.08	69.54	-
37.44	27.59	-12.41	40.00	Horizontal
63.48	26.10	-13.90	40.00	-
91.17	30.87	-12.63	43.50	Vertical
129.36	29.97	-13.53	43.50	Horizontal
436.83	28.65	-17.35	46.00	-
817.19	25.32	-20.68	46.00	-

Measured at 135° position (Building 3)

Freq. (MHz)	Level (dBuV/m)	Over Limit (dB)	Limit Line (dBuV/m) at 3m	Polarization
1.02	31.23	-38.31	69.54	-
2.03	27.49	-42.05	69.54	-
13.48	28.65	-40.89	69.54	-
37.44	27.38	-12.62	40.00	Vertical
63.48	26.17	-13.83	40.00	-
91.17	30.17	-13.33	43.50	Horizontal
129.36	31.56	-11.94	43.50	Vertical
436.83	27.66	-18.34	46.00	-
817.19	26.83	-19.17	46.00	-

Measured at 157.5° position (Building 3)

Freq. (MHz)	Level (dBuV/m)	Over Limit (dB)	Limit Line (dBuV/m) at 3m	Polarization
1.02	31.74	-37.80	69.54	-
2.03	27.09	-42.45	69.54	-
13.48	26.83	-42.71	69.54	-
37.44	27.25	-12.75	40.00	Vertical
63.48	26.69	-13.31	40.00	-
91.17	31.53	-11.97	43.50	Horizontal
129.36	30.38	-13.12	43.50	Horizontal
436.83	27.57	-18.43	46.00	-
817.19	26.34	-19.66	46.00	-

Measured at 180° position (Building 3)

Freq. (MHz)	Level (dBuV/m)	Over Limit (dB)	Limit Line (dBuV/m) at 3m	Polarization
1.02	31.28	-38.26	69.54	-
2.03	26.74	-42.80	69.54	-
13.48	28.35	-41.19	69.54	-
37.44	27.91	-12.09	40.00	Horizontal
63.48	27.41	-12.59	40.00	Vertical
91.17	30.86	-12.64	43.50	-
129.36	33.32	-10.18	43.50	Vertical
436.83	27.08	-18.92	46.00	-
817.19	27.30	-18.70	46.00	-

Measured at 202.5° position (Building 3)

Freq. (MHz)	Level (dBuV/m)	Over Limit (dB)	Limit Line (dBuV/m) at 3m	Polarization
1.02	31.42	-38.12	69.54	-
2.03	27.39	-42.15	69.54	-
13.48	28.16	-41.38	69.54	-
37.44	27.48	-12.52	40.00	-
63.48	27.50	-12.50	40.00	Vertical
91.17	32.07	-11.43	43.50	Horizontal
129.36	31.12	-12.38	43.50	Vertical
436.83	27.16	-18.84	46.00	-
817.19	28.24	-17.76	46.00	-

Measured at 225° position (Building 3)

Freq. (MHz)	Level (dBuV/m)	Over Limit (dB)	Limit Line (dBuV/m) at 3m	Polarization
1.02	32.43	-37.11	69.54	-
2.03	28.12	-41.42	69.54	-
13.48	28.57	-40.97	69.54	-
37.44	27.19	-12.81	40.00	Horizontal
63.48	26.02	-13.98	40.00	-
91.17	31.68	-11.82	43.50	Vertical
129.36	30.88	-12.62	43.50	Vertical
436.83	27.14	-18.86	46.00	-
817.19	28.28	-17.72	46.00	-

Measured at 247.5° position (Building 3)

Freq. (MHz)	Level (dBuV/m)	Over Limit (dB)	Limit Line (dBuV/m) at 3m	Polarization
1.02	31.59	-37.95	69.54	-
2.03	27.91	-41.63	69.54	-
13.48	28.14	-41.40	69.54	-
37.44	27.52	-12.48	40.00	Horizontal
63.48	28.38	-11.62	40.00	Horizontal
91.17	30.74	-12.76	43.50	-
129.36	31.40	-12.10	43.50	Vertical
436.83	27.14	-18.86	46.00	-
817.19	28.06	-17.94	46.00	-

Measured at 270° position (Building 3)

Freq. (MHz)	Level (dBuV/m)	Over Limit (dB)	Limit Line (dBuV/m) at 3m	Polarization
1.02	31.49	-38.05	69.54	-
2.03	27.53	-42.01	69.54	-
13.48	28.08	-41.46	69.54	-
37.44	27.26	-12.74	40.00	Horizontal
63.48	28.31	-11.69	40.00	Vertical
91.17	30.49	-13.01	43.50	-
129.36	31.09	-12.41	43.50	Vertical
436.83	27.83	-18.17	46.00	-
817.19	27.11	-18.89	46.00	-

Measured at 292.5° position (Building 3)

Freq. (MHz)	Level (dBuV/m)	Over Limit (dB)	Limit Line (dBuV/m) at 3m	Polarization
1.02	31.24	-38.30	69.54	-
2.03	27.68	-41.86	69.54	-
13.48	26.97	-42.57	69.54	-
37.44	27.18	-12.82	40.00	Horizontal
63.48	26.45	-13.55	40.00	-
91.17	31.96	-11.54	43.50	Vertical
129.36	31.83	-11.67	43.50	Vertical
436.83	27.17	-18.83	46.00	-
817.19	26.35	-19.65	46.00	-

Measured at 315° position (Building 3)

Freq. (MHz)	Level (dBuV/m)	Over Limit (dB)	Limit Line (dBuV/m) at 3m	Polarization
1.02	31.87	-37.67	69.54	-
2.03	27.93	-41.61	69.54	-
13.48	28.14	-41.40	69.54	-
37.44	27.15	-12.85	40.00	Horizontal
63.48	26.16	-13.84	40.00	Horizontal
91.17	29.33	-14.17	43.50	-
129.36	31.47	-12.03	43.50	Horizontal
436.83	27.53	-18.47	46.00	-
817.19	26.35	-19.65	46.00	-

Measured at 337.5° position (Building 3)

Freq. (MHz)	Level (dBuV/m)	Over Limit (dB)	Limit Line (dBuV/m) at 3m	Polarization
1.02	31.28	-38.26	69.54	-
2.03	27.19	-42.35	69.54	-
13.48	27.06	-42.48	69.54	-
37.44	29.00	-11.00	40.00	Horizontal
63.48	28.09	-11.91	40.00	Horizontal
91.17	29.81	-13.69	43.50	-
129.36	31.74	-11.76	43.50	Vertical
436.83	27.41	-18.59	46.00	-
817.19	28.92	-17.08	46.00	-

Note1:

Emission level (dBuV/m) = 20 log Emission level (uV/m).

Distance extrapolation factor below 30MHz = 40 log (specific distance / test distance) (dB);

Limit line = specific limits (dBuV) + distance extrapolation factor.

The other emission levels were very low against the limit so it didn't record in the test report.

Note2:

The tables recorded the polarization for three worst cases.

7. List of Measuring Equipment Used

Instrument	Manufacturer	Model No.	Serial No.	Characteristics	Calibration Date	Remark
LISN	Schwarzbeck	NSLK 8127	8127650	9kHz ~ 30MHz	Nov. 16, 2015	Conduction (CO02-CB)
LISN	Schwarzbeck	NSLK 8127	8127478	9kHz ~ 30MHz	Nov. 13, 2015	Conduction (CO02-CB)
EMI Receiver	Agilent	N9038A	MY52260140	9kHz ~ 8.4GHz	Jan. 18, 2016	Conduction (CO02-CB)
COND Cable	Woken	Cable	01	0.15MHz ~ 30MHz	Dec. 01, 2015	Conduction (CO02-CB)
Software	Audix	E3	6.120210n	-	N.C.R.	Conduction (CO02-CB)
Pulse Limiter	Schwarzbeck	VTSD 9561F	9561-F073	9kHz ~ 30MHz	Sep. 30, 2015	Conduction (CO02-CB)
Pre-Amplifier	Agilent	8447D	2944A10783	9kHz ~ 1.3GHz	Mar. 24, 2016	Radiation (10CH01-CB)
Loop Antenna	Teseq	HLA 6120	24155	9kHz - 30 MHz	Mar. 16, 2016*	Radiation (10CH01-CB)
Biconical Antenna	Schwarzbeck	VHBB 9124	324	30MHz ~ 200MHz	Apr. 20, 2016	Radiation (10CH01-CB)
EMI Test Receiver	Rohde&Schwarz	ESCI	100186	9kHz ~ 3GHz	Jul. 07, 2016	Radiation (10CH01-CB)
Spectrum Analyzer	Rohde&Schwarz	FSV30	101026	9kHz ~ 30GHz	Jan. 04, 2016	Radiation (10CH01-CB)

- ※ Calibration Interval of instruments listed above is one year.
- ※ * Calibration Interval of instruments listed above is two year.
- ※ N.C.R. means Non-Calibration required.

8. Uncertainty of Test Site

Test Items	Uncertainty	Remark
Conducted Emissions	3.2 dB	Confidence levels of 95%

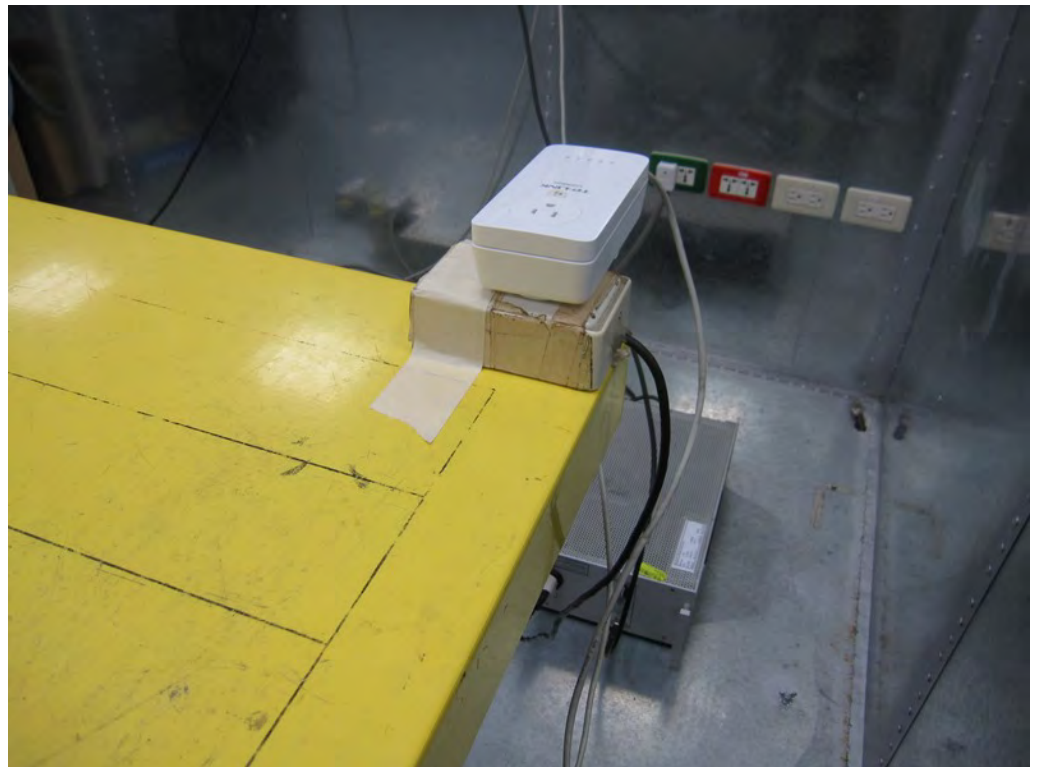
Appendix A. Test Photos

1. Photographs of Conducted Emissions Test Configuration

FRONT VIEW



REAR VIEW



2. Photographs of Radiated Emissions Test Configuration

Test Mode: Mode 2

Building 1



Building 2



Building 3

