

User Manual - Original**10.1" Tablet PC Agile X IS**

Type 17-A1B*-****/*****

ATEX / IECEx Zone 0

ATEX / IECEx Zone 1

UL Class I Division 1

Document No.: XX-XXXX-XXXX

Status: 3. January 2017

Reservation: Technical data subject to change without notice. Changes, errors and misprints may not be used as a basis for any claim for damages.

Content	Page
English	1-xx

BARTEC GmbH

Max-Eyth-Straße 16
97980 Bad Mergentheim
GERMANY

Phone: +49 7931 597-0
Fax: +49 7931 597-119

Support: support-antares@bartec.de
Download: <http://automation.bartec.de>
Internet: www.bartec.de



1.	Basic safety information	1
1.1	Information on this user manual	1
1.1.1	Languages.....	2
1.1.2	Changes in the document.....	2
1.1.3	Registered trademarks	2
1.2	Regulatory information	2
1.2.1	Federal Communications Commission (FCC) statement	2
1.2.2	Federal Communications Commission (FCC) statement	3
1.2.3	Industry Canada (IC) statement	3
1.2.4	Canada, avis d'industry Canada (IC).....	3
1.2.5	Radio Frequency Exposure statement	4
1.3	Handling the product	4
1.4	Intended use.....	5
1.4.1	Exclusive purpose	5
1.4.2	Unintended use	5
1.5	Duties of the operator	5
1.6	General safety information	5
1.7	Maintenance	6
1.7.1	Servicing.....	6
1.7.2	Inspection	6
1.7.3	Repairs	6
1.7.4	Commissioning.....	6
1.8	Labelling, test certificate and standards	6
1.9	Warranty	6
1.10	Co-applicable documents - set of documents.....	7
1.11	Definition of terms.....	8
1.12	Configuration	8
2.	Product description	9
2.1	Agile X IS.....	9
2.2	Structure	9
2.2.1	Front side	9
2.2.2	Rear side	10
2.2.3	Side view	10
2.3	Purpose of use	11
3.	Explosion protection and approvals	12
3.1	Applicable standards	14
4.	Technical data	16
4.1	Features	16
4.1.1	Performance features	16
4.1.2	Physical characteristics	16
4.1.3	Ambient conditions	17
4.1.4	Application development	17
4.1.5	Voice and data transmission Bluetooth	18
4.1.6	Data transmission Wi-Fi and Bluetooth	18
4.1.7	Barcode scan options	19
4.1.8	Symbologies supported	20
4.1.9	Decode range	20
4.1.10	NFC options	20
4.2	Battery	21
4.3	External interfaces.....	22
4.4	Product labelling.....	23
4.5	Laser labels	25

5.	Transport and storage.....	26
5.1	Transport.....	26
5.2	Storage.....	26
6.	Commissioning.....	27
6.1	Scope of delivery.....	27
6.1.1	Optional accessories.....	27
6.2	Requirements in potentially explosive atmosphere.....	28
6.3	Handling accessories.....	29
6.4	First steps.....	29
6.4.1	Erste Schritte.....	29
6.4.2	Insert battery.....	29
6.4.3	Insert USB stick.....	31
6.4.4	Insert SIM card.....	32
6.4.5	Insert micro SD card.....	33
6.4.6	Remove/replace screen protector.....	34
6.5	HART Add-On Module (for future use).....	35
6.5.1	Versions.....	35
6.5.2	Software.....	35
6.5.3	Assembly of the HART Add-on Module.....	35
6.5.4	Installation HART Add-On Module.....	36
7.	Operation.....	42
7.1	Final inspection.....	42
7.2	Care and cleaning.....	42
7.2.1	Care.....	42
7.2.2	Cleaning.....	43
7.2.3	Suitable materials for cleaning.....	43
7.3	Operation, recommendations and requirements.....	45
7.3.1	Basic safety and health protection requirements.....	45
7.3.2	Information on the use of wireless devices.....	47
7.3.3	Equipment of the laser devices.....	48
7.3.4	LED devices.....	48
7.3.5	Restrictions in the case of wireless devices.....	48
7.4	Operating frequency - FCC and IC.....	49
7.5	Electromagnetic fields.....	51
8.	Service, inspection and repair.....	55
8.1	Service intervals.....	55
8.2	Inspection.....	55
8.3	Service and repair work.....	55
8.3.1	Information on sending in for repairs (new picture of the device).....	55
9.	Disposal.....	56
10.	Forwarding and packaging information.....	56
11.	Accessories.....	57
12.	Additional information.....	57
12.1	Links.....	57



1. Basic safety information

1.1 Information on this user manual



Read carefully before putting the devices into operation.

The user manual is a fixed part of the product. It must be kept in the direct vicinity of the device and the installation, operating and service staff must have access to it at all times.

The user manual contains important information, safety instructions and test certificates which are necessary for the perfect function of the device in operation.

The user manual is directed at all individuals concerned with the commissioning, handling and servicing of the product. The applicable guidelines and standards for areas with gas and dust atmosphere (EN/IEC 60079-17, EN/IEC 60079-19,) must be observed when conducting this work.

Knowledge of the safety and warning information in this user manual and the strict compliance with it is essential for safe installation and commissioning. Accidents, injuries and material damage can be avoided by circumspect handling and systematically following the instructions.

The examples, tables, and figures provided in this user manual are for illustration purposes. Due to the different requirements of the respective application, the BARTEC company cannot assume responsibility or liability for actual use based on the examples and figures.

The BARTEC company reserves the right to carry out technical changes at any time.

In no event will BARTEC company be responsible or liable for indirect or consequential damages resulting from the use or application of this User Manual.

Safety and warning information is particularly emphasised in this User Manual and marked by symbols.

DANGER

DANGER describes a directly imminent danger. If not avoided, death or severe injury will be the consequence.

WARNING

WARNING describes a possibly imminent danger. If not avoided, death or severe injury may be the consequence.

CAUTION

CAUTION describes a possibly imminent danger. If not avoided, mild or slight injury may be the consequence.

ATTENTION

ATTENTION describes a possibly damaging situation. If not avoided, the plant or objects in its vicinity may be damaged.



Important information on effective, economical & environmentally compliant handling.

1.1.1 Languages

The original User Manual with safety information is written in English.

All other available languages are translations of the original User Manual.

The User Manual is available in German and English. If further languages are required, these must be requested from BARTEC or stated on placing an order.

1.1.2 Changes in the document

BARTEC reserves the right to change the content of this document without notification. No warranty is assumed for the correctness of the information. In cases of doubt, the German safety instructions apply because it is not possible to rule out errors of translation or printing. In the case of legal disputes, the "General Terms and Conditions of Business" of the BARTEC GmbH also apply.

The current versions of the datasheets, operating instructions, certificates and EC declarations of conformity can be downloaded from www.bartec.de or may be requested directly from BARTEC GmbH.

1.1.3 Registered trademarks

Intel®	is a registered trademark of Intel Corporation
Centrino®	is a registered trademark of Centrino Mobile Technology
Bluetooth®	is a registered trademark of Bluetooth Special Interest Group
WINDOWS	is a registered trademark of MICROSOFT Corporation
Winmate	is a registered trademark of Winmate Inc.

1.2 Regulatory information

1.2.1 Federal Communications Commission (FCC) statement

You are cautioned that changes or modifications not expressly approved by the part responsible for compliance could void the user's authority to operate the equipment.

This equipment has been tested and found to comply with the limits for a Class B digital device, pursuant to part 15 of the FCC rules. These limits are designed to provide reasonable protection against harmful interference in a residential installation. This equipment generates, uses and can radiate radio frequency energy and, if not installed and used in accordance with the instructions, may cause harmful interference to radio communications. However, there is no guarantee that interference will not occur in a particular installation. If this equipment does cause harmful interference to radio or television reception, which can be determined by turning the equipment off and on, the user is encouraged to try to correct the interference by one or more of the following measures:

- Reorient or relocate the receiving antenna.
- Increase the separation between the equipment and receiver.
- Connect the equipment into an outlet on a circuit different from that to which the receiver is connected.
- Consult the dealer or an experienced radio/TV technician for help.

This device complies with Part 15 of the FCC Rules. Operation is subject to the following two conditions:

- 1) This device may not cause harmful interference
- 2) This device must accept any interference received, including interference that may cause undesired operation of the device

1.2.2 Federal Communications Commission (FCC) statement

This equipment complies with FCC radiation exposure limits set forth for an uncontrolled environment. End users must follow the specific operating instructions for satisfying RF exposure compliance. This transmitter must not be co-located or operating in conjunction with any other antenna or transmitter.

1.2.3 Industry Canada (IC) statement

This device complies with Industry Canada license-exempt RSS standard(s). Operation is subject to the following two conditions: (1) this device may not cause interference, and (2) this device must accept any interference, including interference that may cause undesired operation of the device.

1.2.4 Canada, avis d'industrie Canada (IC)

Le présent appareil est conforme aux CNR d'Industrie Canada applicables aux appareils radio exempts de licence. L'exploitation est autorisée aux deux conditions suivantes:

- (1) l'appareil ne doit pas produire de brouillage, et
- (2) l'utilisateur de l'appareil doit accepter tout brouillage radioélectrique subi, même si le brouillage est susceptible d'en compromettre le fonctionnement.

Ce dispositif est conforme à la norme CNR-210 d'Industrie Canada applicable aux appareils radio exempts de licence. Son fonctionnement est sujet aux deux conditions suivantes: (1) le dispositif ne doit pas produire de brouillage préjudiciable, et (2) ce dispositif doit accepter tout brouillage reçu, y compris un brouillage susceptible de provoquer un fonctionnement indésirable.

Contains Transmitter Module FCC ID: TBUAGXISWL / IC: 5736C-AGXISWL and
FCC ID: TBUAGXISWW / IC: 5736C-AGXISWW

⚠ CAUTION - PRUDENCE

CAUTION

- ▶ The device for operation in the band 5150-5250 MHz is only for indoor use to reduce the potential for harmful interference to co-channel mobile satellite systems;
- ▶ High-power radars are allocated as primary users (i.e. priority users) of the bands 5250-5350 MHz and 5650-5850 MHz and that these radars could cause interference and/or damage to LE-LAN devices.

PRUDENCE

- ▶ *Les dispositifs fonctionnant dans la bande 5150-5250 MHz sont réservés uniquement pour une utilisation à l'intérieur afin de réduire les risques de brouillage préjudiciable aux systèmes de satellites mobiles utilisant les mêmes canaux;*
- ▶ *De plus, les utilisateurs devraient aussi être avisés que les utilisateurs de radars de haute puissance sont désignés utilisateurs principaux (c.-à-d., qu'ils ont la priorité) pour les bandes 5250-5350 MHz et 5650-5850 MHz et que ces radars pourraient causer du brouillage et/ou des dommages aux dispositifs LAN-EL.*

1.2.5 Radio Frequency Exposure statement

Radiation Exposure Statement:

The product comply with the Canada portable RF exposure limit set forth for an uncontrolled environment and are safe for intended operation as described in this manual. The further RF exposure reduction can be achieved if the product can be kept as far as possible from the user body or set the device to lower output power if such function is available.

Déclaration d'exposition aux radiations:

Le produit est conforme aux limites d'exposition pour les appareils portables RF pour les Etats-Unis et le Canada établies pour un environnement non contrôlé.

Le produit est sûr pour un fonctionnement tel que décrit dans ce manuel. La réduction aux expositions RF peut être augmentée si l'appareil peut être conservé aussi loin que possible du corps de l'utilisateur ou que le dispositif est réglé sur la puissance de sortie la plus faible si une telle fonction est disponible.

1.3 Handling the product

The product described in this User Manual left the factory in a perfect and tested state in terms of safety. To maintain this state and to achieve a perfect and safe operation of this product, it may only be operated in the manner described by the manufacturer. In addition, the perfect and safe operation of this product requires correct transportation, proper storage and careful operation.

The safe and perfect handling of the Tablet PC is a prerequisite for its perfect and correct functioning.

1.4 Intended use

1.4.1 Exclusive purpose

The Tablet PC series is a handheld piece of electrical equipment. It serves the purpose of the mobile recording, processing and/or radio transmission of data within potentially explosive atmospheres.

It is used exclusively in combination with devices which comply with the requirements placed on the overvoltage category I.

The admissible operating data of the device used must be considered.

1.4.2 Unintended use

Any other use is unintended and may lead to damage and accidents. The manufacturer shall not be liable for any use extending beyond the exclusive purpose.

1.5 Duties of the operator

The operator undertakes to only permit persons to work with the Tablet PC who:

- ▶ are acquainted with the basic regulations on safety and accident prevention, and who have been inducted in the use of the Tablet PC,
- ▶ have read and understood the documentation, the safety chapter and the warnings.

The operator checks that the safety and accident prevention regulations applicable to the respective case of use have been observed.

1.6 General safety information

- ▶ Do not dry wipe or clean devices in potentially explosive atmospheres!
- ▶ Do not open devices in potentially explosive atmospheres.
- ▶ Do not charge the device in potentially explosive atmospheres.
- ▶ General statutory provisions or guidelines on occupational health and safety, accident prevention provisions and environmental protection laws must be heeded, e.g. Operational Safety Ordinance (BetrSichV) and nationally applicable ordinances.
- ▶ Use suitable clothing and shoes with respect to the danger of hazardous electrostatic charges.
- ▶ Avoid heat influences outside the specified temperature range.
- ▶ Protect device from external influences! Do not expose device to caustic/aggressive liquids, vapours or spray. In the case of malfunction or damaged enclosure, remove the device immediately from the potentially explosive atmosphere and bring it to a safe place.

1.7 Maintenance

The pertinent erection and operating provisions for electrical systems must be observed! (E.g. Directive RL 2014/34/EU, BetrSichV and nationally applicable ordinances EN 60079-14, IEC 60079-14 and the series DIN VDE 0100)!

Observe the national waste disposal regulations when disposing of the devices.

1.7.1 Servicing

No constant servicing will be necessary if operated correctly under consideration of the assembly instructions and environmental conditions. See Chapter "Service, inspection, repair" in this respect.

1.7.2 Inspection

According to EN/IEC 60079-17 and EN/IEC 60079-19, the operator of electrical systems in potentially explosive atmospheres is obliged to have these inspected by an electrician to ensure correct condition.

1.7.3 Repairs

Repairs to explosion-protected devices may only be performed by authorised personnel with original spare parts and according to the state of the art. The applicable provisions must be observed in this respect.

1.7.4 Commissioning

It must be checked that all components and documents are available before commissioning.

1.8 Labelling, test certificate and standards

Labels on explosion protection and the test certificate are attached to the Tablet PC. See Chapter 3 "Explosion protection and approvals" with respect to labelling.

The guidelines and standards applicable to the Tablet PC for devices and protected systems for intended use in potentially explosive atmospheres are provided in Chapter 4 "Technical data".

1.9 Warranty

WARNING

No changes or retrofits may be made without the written consent of the manufacturer.

If non-specified components are used, the explosion protection will no longer be guaranteed. In the case of externally procured parts, it is not guaranteed that these have been designed and manufactured in accordance with their load and requisite safety.

- ▶ Contact the manufacturer before any changes or retrofits to receive a release. Only use original spare and wearing parts.



The manufacturer shall exclusively assume the complete warranty only for spare parts ordered from him.

Our "General Terms and Conditions of Sale and Delivery" shall apply in principle. These shall be made available to the operator on signing of contract at the latest. Warranty and liability claims in the case of injury and damage to property shall be excluded if they are attributable to one or several of the following causes:

- Unintended use of the Tablet PC.
- Incorrect handling
- Failure to observe the information in the User Manual with respect to transport, storage, commissioning, operation and service.
- Independent structural changes
- Faulty monitoring of parts subject to wear and tear.
- Incorrectly performed repairs.
- Cases of disaster through the impact of foreign bodies and force majeure.

The BARTEC company grants a warranty period of three years starting from the date of delivery from the Bad Mergentheim factory on the Tablet PCs (exception: battery 6 months). The warranty period for accessories is one year starting from the date of delivery from the Bad Mergentheim factory. This warranty covers all parts of the delivery and shall be restricted to the free replacement or repair of the defective parts in our Bad Mergentheim factory. For this purpose, any packaging supplied must be kept where possible. In the case of warranty, the goods must be returned to us after written agreement using an RMA form. There shall be no claim to repair at the sight of erection.

The information contained herein refers to the explosion-protected version of the Tablet PC series Agile X IS.

This User Manual contains all important information on the subject of explosion protection. A Short Guide and further product information on handling and commissioning are similarly available.

1.10 Co-applicable documents - set of documents

User Manual for the Tablet PC series Agile X IS:

The use, commissioning and settings of the explosion-protected version of the Tablet PC series Agile X IS are described in this User Manual.


Quick Start Guide for the Tablet PC series Agile X IS:

The safety relevant information, initial use and further data on the explosion-protected version of the Tablet PC series Agile X IS are described in this Short Guide.

Technical Datasheet for the explosion-protected version of the Tablet PC series Agile X IS: The technical data sheet contains the most important explosion-relevant technical data as well as general technical data.

1.11 Definition of terms

A few abbreviations are used in the documentation.

- IS = Intrinsically Safe =>
is used a generic term for the
Zone 0, Zone 1 and Division 1 version
 - NI = stands for the entire explosion-protected product series
- Agile  IS

1.12 Configuration



The devices are only supplied with preinstalled operating system.

- Windows 10 IoT
- Windows Embedded 8.1 Industry Pro – 64 Bit
- ~~Windows 7 Professional – Service Pack 1 – 64 Bit (on request)~~

Customer software or further applications are not contained in the delivery.

This User Manual refers to the following configurations:

Configuration	Version
Processor	Intel Pentium N3710 Quad Core 1.6GHz
Display	10.1" with 1920 x 1200 Pixel resolution
RAM	8 GB SODIMM DDR3L-1600
Main memory	128 GB
Operating system options	Supplied as standard with - Windows 10 IoT - Windows Embedded 8.1 Industry Pro – 64 Bit
WLAN	IEEE 802.11 a/b/g/n/ac
Bluetooth	4.0 (Class I)
WWAN (optional)	- 4G/LTE module with European frequencies - 4G/LTE module with North American frequencies
GPS	u-Blox Neo-M8N
Scanner Options (optional)	1D/2D Imager SE 4500 from ZEBRA
RFID HF/ NFC (optional)	- 13.56 MHz - ISO 15693 (read and write) - ISO 14443-A (read and write) - ISO 14443-B (only read Uid)

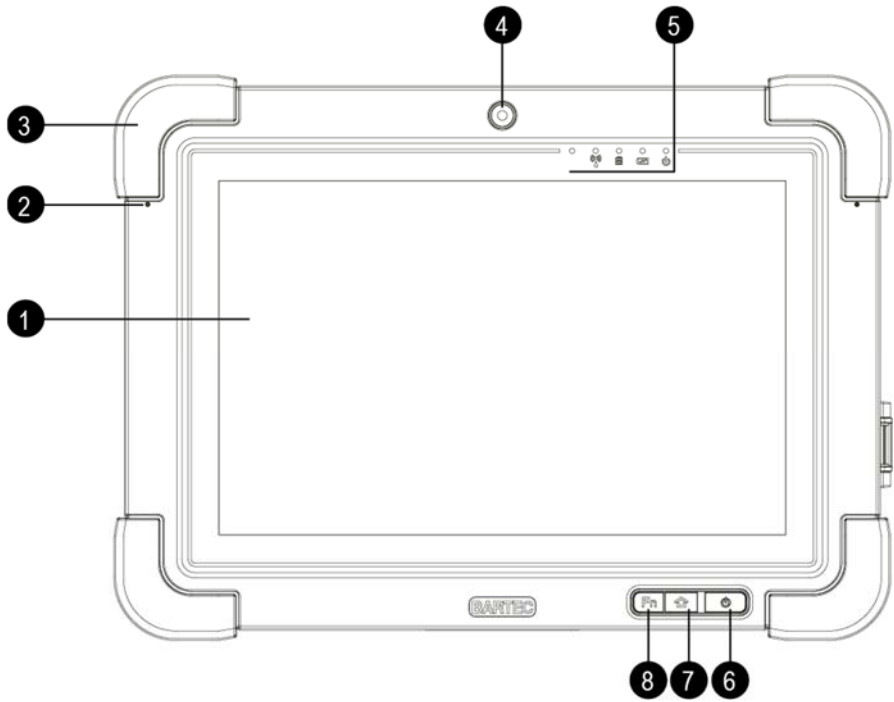
2. Product description

2.1 Agile X IS

The **Agile X IS** is a tough Tablet PC with 10.1" display, which has been designed for use in the industrial environments and especially developed by BARTEC for use in potentially explosive atmospheres.

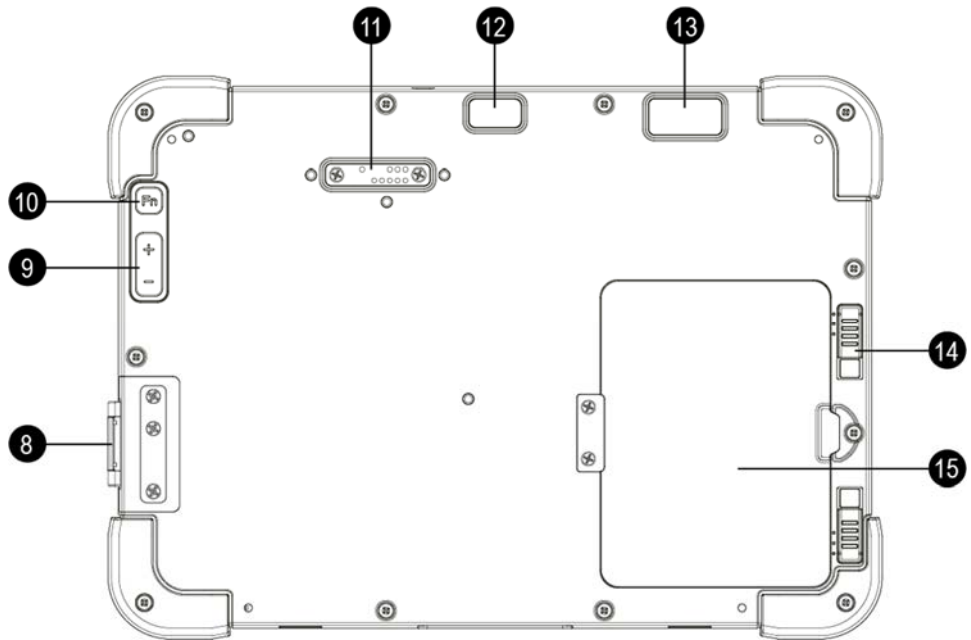
2.2 Structure

2.2.1 Front side



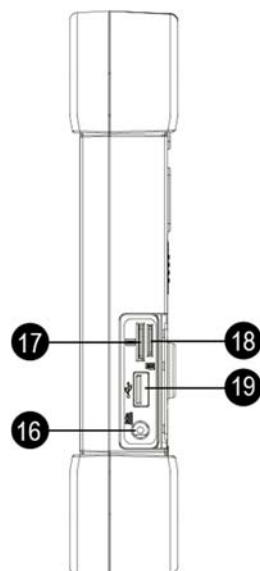
N°	Description
1	Full HD 10-finger multi-touch outdoor display
2	2x digital microphone with noise cancellation
3	Rubber bumper
4	Front camera
5	LED indicators
6	Power button
7	Home menu
8	Function key, freely programmable

2.2.2 Rear side



N°	Description
8	External I/O ports under protective cover Charging (DC), USB 2.0 (intrinsically safe), Micro SD slot and Micro SIM Card slot
9	Volume (+/-)
10	Function key
11	Expansion port (incl. cover)
12	High quality 8MP camera with flash
13	Barcode scanner
14	Battery with 2-step release latch
15	Cover module / Hot-swappable external battery

2.2.3 Side view



N°	Description
16	Charging
17	SIM card slot
18	Micro SD card slot
19	USB 2.0 port

2.3 Purpose of use

The Tablet PCs Agile X IS is a handheld electrical devices. They serve the purpose of entry, processing and (radio) transmission of data within potentially explosive atmospheres.

The Tablet PC Agile X IS is used exclusively in combination with devices which comply with the requirements placed on the overvoltage category I.

The Tablet PC Agile X IS is developed for the use in the following potentially explosive atmospheres:

- ATEX / IECEx Zone 0
- ATEX / IECEx Zone 1

- UL Class I Division 1 Groups A, B, C and D
- UL Class 1 Zone 0 AEx ia IIC T4 Ga
- UL Class 1 Zone 1 AEx ia IIC T4 Gb

The Tablet PC Agile X IS may not be used in the following zones:

- ATEX / IECEx Zone 20, 21 and 22

3. Explosion protection and approvals

Agile X IS		Type 17-A1B* - ****/*****
ATEX		
ATEX Zone 0	Labelling	⊕ II 1 G Ex ia op is IIC T4 Ga -20 °C ≤ Ta ≤ +50 °C
Type: 17-A1B5-****/***** 17-A1B6-****/*****		
ATEX Zone 1	Labelling	⊕ II 2 G Ex ia op is IIC T4 Gb -20 °C ≤ Ta ≤ +50 °C
Type: 17-A1B3-****/***** 17-A1B4-****/*****		
Test certificate	DEMKO 16 ATEX 1803	
Standards	EN 60079-0:2012 + A11: 2013 EN 60079-11: 2012 EN 60079-28: 2015	
Guidelines	ATEX 2014/34/EU EMV 2014/30/EU RED 2014/53/EU RoHS 2011/65/EU	
IECEX		
IECEX Zone 0	Labelling	Ex ia IIC op is T4 Ga -20 °C ≤ Ta ≤ +50 °C
Type: 17-A1B5-****/***** 17-A1B6-****/*****		
IECEX Zone 1	Labelling	Ex ia IIC op is T4 Gb -20 °C ≤ Ta ≤ +50 °C
Type: 17-A1B3-****/***** 17-A1B4-****/*****		
Test certificate	IECEX UL 16.0160	
Standards	IEC 60079-0: 2011 IEC 60079-11: 2011 IEC 60079-28: 2014	
Guidelines	ATEX 2014/34/EU EMV 2014/30/EU RED 2014/53/EU RoHS 2011/65/EU	

UL Class I, Division 1 and Class I Zone 0 / 1	
UL Class I Division 1 Labelling Type: 17-A1B1-****/***** 17-A1B4-****/***** 17-A1B6-****/*****	Class I, Division 1, Groups A, B, C and D;
UL Zone 0 Labelling Type: 17-A1B6-****/*****	Class I, Division 1, Groups A, B, C and D; Class I, Zone 0, AEx ia IIC T4 Ga -20 °C ≤ Ta ≤ +50 °C
UL Zone 1 Labelling Type: 17-A1B4-****/*****	Class I, Division 1, Groups A, B, C and D; Class I, Zone 1, AEx ia IIC T4 Gb -20 °C ≤ Ta ≤ +50 °C
Test certificate USA and Canada	E226123
Standards	UL 913, 8th Edition UL 60079-0: 6th Edition UL 60079-11: 6th Edition CAN/CSA C22.2 No. 157-92 CAN/CSA C22.2 No. 6079-0:11 CAN/CSA C22.2 No. 6079-11:11

3.1 Applicable standards

Explosion protection	
EN 60079-0: 2012 + A11: 2013	Potentially explosive atmospheres – Part 0: Equipment – General requirements
EN 60079-11: 2012	Potentially explosive atmospheres – Part 11: Equipment protection by intrinsic safety "i"
EN 60079-28: 2015	Potentially explosive atmospheres – Part 28: Protection of equipment and transmission systems using optical radiation
IEC 60079-0: 2011	Potentially explosive atmospheres – Part 0: Equipment – General requirements
IEC 60079-11: 2011	Potentially explosive atmospheres – Part 11: Equipment protection by intrinsic safety "i"
IEC 60079-28: 2014	Potentially explosive atmospheres – Part 28: Protection of equipment and transmission systems using optical radiation
UL 913, 8th Edition	Standard for Safety – Intrinsically Safe Apparatus and Associated Apparatus for Use in Class I, II, and III, Division 1, Hazardous (Classified) Locations
UL 60079-0: 6th Edition	Explosive Atmospheres – Part 0: Equipment – General requirements
UL 60079-11: 6th Edition	Explosive Atmospheres – Part 11: Equipment protection by intrinsic safety "i"
CAN/CSA C22.2 No. 157-92	Intrinsically Safe and Non-Incendive Equipment for Use in Hazardous Locations
CAN/CSA C22.2 No. 6079-0:11	Explosive Atmospheres – Part 0: Equipment – General requirements
CAN/CSA C22.2 No. 6079-11:11	Explosive Atmospheres – Part 11: Equipment protection by intrinsic safety "i"
Electrical safety	
IEC 60950-1 (ed.2); am1 UL 60950-1 CSA22.2 No. 60950-1-07	Information technology equipment – safety Part 1: General requirements
Radio specification - WLAN / Bluetooth	
EN 300 328 V1.8.1: 2012	Electromagnetic compatibility and radio spectrum matters (ERM) – wideband transmission systems – data transmission equipment operating in the 2.4 GHz ISM band and using wideband modulation techniques → Winmate

Safety specification - Laser and/or LED Products	
EN 60825-1	Safety of laser products – Equipment classification and requirements
Safety specification - Specific Absorption Rate (SAR)	
EN 62209-2:2010	Human exposure to radio frequency fields from hand-held and body-mounted wireless communication devices – Human models, instrumentation and procedures – Part 2: Procedure to determine the specific absorption rate (SAR) for wireless communication devices used in close proximity to the human body
RSS-132 Issue 3 January 2013	Industry Canada: Cellular Telephone Systems Operating in the Bands 824-849 MHz and 869-894 MHz
RSS-133 Issue 6 January 2013	Industry Canada: 2 GHz Personal Communications Services
RSS-139 Issue 2 February 2009	Industry Canada: Advanced Wireless Services (AWS) Equipment Operating in the Bands 1710-1780 MHz and 2110-2180 MHz
RSS-210 Issue 8 December 2010	Industry Canada: Licence-exempt Radio Apparatus (All Frequency Bands): Category I Equipment
Electromagnetic compatibility (EMC)	
EN 300 440-1 V1.6.1:2010	Electromagnetic compatibility and radio spectrum matters (ERM) – short range devices – radio equipment to be used in the 1 GHz to 40 GHz frequency range – Part 1: Technical characteristics and test methods
EN 300 440-2 V1.4.1:2010	Electromagnetic compatibility and radio spectrum matters (ERM) – short range devices – radio equipment to be used in the 1 GHz to 40 GHz frequency range – Part 2: Harmonised EN covering essential requirements of article 3.2 of the R&TTE Directive
EN 50566:2013	Product standard to demonstrate compliance of radio frequency fields from handheld and body-mounted wireless communication devices used by the general public (30 MHz - 6 GHz)
EN 55032: 2015	Electromagnetic compatibility of multimedia equipment – Emissions requirements
EN 55024: 2010	Information technology equipment – radio disturbance characteristics – limits and methods of measurement
EN 61000-3-2: 2006 + A1: 2009 + A2: 2009	Limits – Limits for harmonic current emissions (equipment input current <= 16 A per phase)
EN 61000-3-3: 2008	Limits – limitation of voltage charges, voltage fluctuations and flicker in public low-voltage supply systems, for equipment with rated current <=16 A per phase and not subject to conditional connection
FCC Part 15 Class B	EMC requirements in the USA: Testing for compliance with limits for a digital device of Class B
IC ICES-003	EMC requirements in Canada: Testing for compliance with limits for a digital device of Class B

4. Technical data

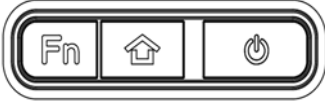

4.1 Features

4.1.1 Performance features

Processor	Intel Pentium N3710 QuadCore 1.6GHz 1.6-2.56 GHz Clock Speed - 14 nm for low power consumption
Operating system	Windows 10 IoT Enterprise Windows Embedded 8.1 Industry Pro – 64 Bit
RAM	8 GB
Main memory	128 GB (standard version)
I/O ports at the Tablet PC	1 x USB 2.0 (intrinsically safe) 1 x Micro SD card slot 1 x SIM card Slot 1 x Charging 1 x Extension port for Add-On Modules 1 x Docking Connector
Interfaces via desktop docking station	1 x 10/100 MBit Ethernet 1 x RS232 Serial 4 x USB 2.0 1 x HDMI 1 x Power connector

4.1.2 Physical characteristics

Dimensions in mm/in (width x height x depth)	290 mm x 209 mm x 33 mm
Weight (including battery)	Depends on version and configuration approx. 2,6 kg
Weight (without external battery)	Depends on version and configuration approx. 2,3 kg
Display Size	10.1"
Background lighting	IPS LED
Resolution	700 nits (typical) 1920 x 1200
Contrast	800:1 (typical)
Viewing angle	89/89/89/89
Touch	Projective capacity Multi-Touch 10 points
Interactive sensor technology	- Light sensor - G Sensor - Gyrometer - E-compass

Keys on front side	Keys on rear side
	
<ul style="list-style-type: none"> - 1x programmable function button - 1x home / menu button - 1x power button 	<ul style="list-style-type: none"> - 1 x programmable function button - 2 x button for volume (+/-)

4.1.3 Ambient conditions

Operating temperature In potentially explosive atmosphere	-20 °C to +50 °C / -4 °F to +122 °F
Operating temperature during charging	0 °C to +40 °C / +32 °F to +104 °F
Storage temperature (without battery)	-30 °C to +60°C / -22 °F to +140 °F
Air humidity	30 % to 90 % (non-condensing)
Class of protection (EN 60529)	IP 65

4.1.4 Application development

<p>Creation of a customised image</p> <p>All drivers for the creation of a customized image are available for download from the BARTEC download page (http://automation.bartec.de)</p>
<p>Camera</p> <p>The camera supports the Windows Standard DLLs for connection to a customized application.</p>
<p>1D/2D Imager – Zebra SE4500</p> <p>The Imager supports the Windows Standard DLLs for connection to a customized application. Zebra support homepage for OEM scan engines: https://www.zebra.com/us/en/support-downloads.html</p> <ul style="list-style-type: none"> - SE4500 - Software Downloads - Scanner SDK for Windows <p>The Zebra Scanner Software Developer Kit (SDK) for Windows defines an architectural framework providing a single programming interface across multiple programming languages (such as MS .NET, C++, Java) for all scanners communication variants (such as IBMHID, SNAPI, HIDKB, Nixdorf Mode B, etc.).</p> <p>The Zebra Scanner SDK includes a suite of components that provides a unified software development framework with a wide range of functions for interfacing Zebra Scanners to user applications and solutions.</p>

4.1.5 Voice and data transmission Bluetooth



Dual Wi-Fi and Bluetooth connections are realised with the assistance of the WiFi and Bluetooth integrated module

WiFi	IEEE 802.11a/b/g/n/ac WiFi compliant
Bluetooth	4.1 (Low Energy)
Antenna	Internal

4.1.6 Data transmission Wi-Fi and Bluetooth



Dual Wi-Fi and Bluetooth connections

Wi-Fi (2.4GHz) RF specification

WLAN standard	IEEE 802.11a/b/g/n/ac
Frequency range	- 2.400 GHz ~ 2.497 GHz (2.4 GHz ISM Band)
Number of channels	- 2.4 GHz : Ch1 ~ Ch14
Modulation	802.11 b : DQPSK, DBPSK, CCK 802.11 g/n : OFDM /64-QAM, 16-QAM, QPSK, BPSK
Output power	802.11b / 11Mbps :16 dBm±1.5 dB @ EVM ≤ -9dB 802.11b / 54Mbps :15 dBm±1.5 dB @ EVM ≤ -25dB 802.11n / MCS7 :14 dBm±1.5 dB @ EVM ≤ -28dB
Maximum input level	802.11b : -10 dBm 802.11g/n : -20 dBm
Antenna reference	Small antennas with 0-2 dBi peak gain

WiFi (5 GHz) RF specification

WLAN standard	IEEE 802.11a/n 2 x 2
Frequency range	4.900 GHz ~ 5.845 GHz (5.0 GHz ISM band)
Number of channels	- 5.15 GHz ~ 5.25 GHz : CH 36,40,44,48 - 5.25 GHz ~ 5.35 GHz : CH 52,56,60,64 - 5.5 GHz ~ 5.7 GHz : CH 100,104,108,112,116,120,124,128,132,136,140 - 5.725 GHz ~ 5.825 GHz : CH 149,153,157,161
Modulation	802.11 a : OFDM /64-QAM, 16-QAM, QPSK, BPSK 802.11 n : OFDM/64-QAM, 16-QAM, QPSK, BPSK 802.11 ac : OFDM / 256-Qam
Output power	802.11a / 54Mbps :13 dBm±1.5 dB @ EVM ≤ -25dB 802.11n /MCS7 : 12dBm±1.5 dB @ EVM ≤ -28dB 802.11ac /MCS9 : 10dBm±1.5 dB @ EVM ≤ -32dB
Maximum input level	802.11 a/n : -30 dBm
Antenna reference	Small antennas with 0~2 dBi peak gain

Bluetooth specification	
Bluetooth std.	Bluetooth V4.1 of 1,2, and 3 Mbps.
Antenna reference	Small antennas with 0~2 dBi peak gain
Frequency band	2402 MHz ~ 2480 MHz
Number of channels	79 channels
Modulation	FHSS, GFSK, DPSK, DQPSK
RF specification	
Maximum input level	GFSK (1Mbps): -20dBm TT/4 -DQPSK (2Mbps) : -20dBm 8DPSK (3Mbps) : -20dBm

4.1.7 Barcode scan options



The maximum read range of the scan engine depends on the barcode type used, the quality of print and the module width (in mil).

available scan engine	1D/2D Imager (SE4500 from Zebra)
-----------------------	----------------------------------

4.1.7.1 1D/2D Imager (SE4500)



For Agile X IS with integrated 1D-/2D- Imager

The SE4500 is ideal for small to medium bar codes and 2D intensive applications. The decode range depends on the quality and size of the bar code and on the scan engine's software setting.

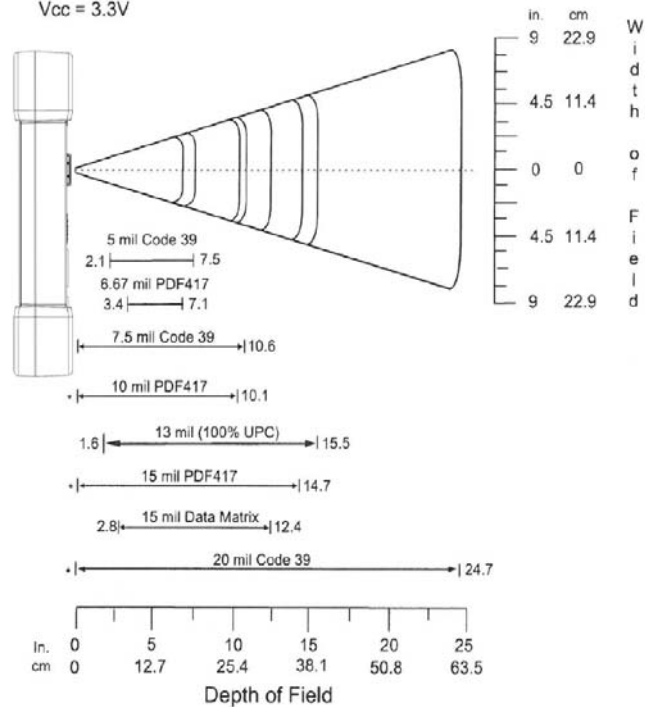
Laser class		CDRH/IEC Class 2 laser and IEC Class 1M light	
Aiming LED (VLD)		655nm Laser	
Decode range	5 mil Code 39	Near: 2.1 in./5.3 cm	Far: 7.5 in./19.1 cm
	100 % UPC/EAN	Near: 1.6 in./4.1 cm	Far: 15.5 in./39.4 cm
	6.7 mil PDF 417	Near: 3.4 in./8.6 cm	Far: 7.1 in./18.0 cm
Skew, pitch & roll		Skew tolerance : $\pm 60^\circ$ Pitch tolerance : $\pm 60^\circ$ Roll tolerance : 360°	
Focal distance from front of engine		8.0 in	
Scan rate		Up to 60 fps	
Sensor resolution		752 (H) x 480 (V) pixel	
Field of view		Horizontal: 40 deg. Vertical : 25 deg.	
Aiming LED (VLD)		655 Nm ± 10 nm	
Illumination element		2 x 625nm LEDs	
Minimum print contrast		Minimum 25% absolute dark/light reflectance measured at 650 nm	

4.1.8 Symbologies supported

Supported 1D barcodes 1D symbol/codes		Supported 2D barcodes (only supports the Imager version) 2D symbol/codes		DPM codes (1D/2D symbol/codes) mounted on:
Code 11	Code 39	Aztec	Micro PDF-417	Metal
Code 93	Code 128	Australian 4-state	Maxi Code	Plastic
Codabar	Coupon Code	Canadian 4-state	PDF-417	Glass
Chinesisch 2 aus 5	Discrete 2 aus 5	Composite AB	QR Code	
Interleaved 2 aus 5	Trioptic 39	Composite C	TLC39	Method:
EAN-8	EAN-13	Data Matrix	UK 4-state	Dot peening
UPCA	UPCE	Dutch Kix	US Planet	Laser cut
UPC/EAN Zusätze	MSI	Japanese 4-state	US Postnet	Cast
Webcode	RSS-14	PDF-417 Macro	USPS 4-state (US4CB)	Punched
RSS Limited	RSS Expanded	(Macro) Mikro PDF-417	microQR	Moulded

4.1.9 Decode range

Note: Typical performance at 73°F (23°C)
on high quality symbols in normal room light.
Vcc = 3.3V



* Minimum distance determined by symbol length and scan angle.

4.1.10 NFC options

The maximum read/write ranges of the NFC reader will depend on the different ambient conditions. For example:



- Transponder (tag), size
- Aerial used in the tag (size, model ...)
- Site of installation (metal, wood or other base)
- Ambient conditions
- External magnetic influences
- Temperature
- Humidity

NFC Support Protocol		
Tag Type	Description	Support
Type 1	TOPAZ (BCM20203T96)	Read UID only
Type 2	Mifare Ultralight (MF01CU1)	Read / Write
Type 3	Felica Lite rc-s965	Read / Write
Type 4	DESFire EV1 (MF3ICD81)	Read / Write
ISO 15693	ICODE SLI (SL2ICS20) HF-I Pro, HF-I Plus	Read / Write
ISO 14443A	MiFare Classic (MF 1S50)	Read / Write
Support NFC Mode (Refer to the following table for tag types supported)		
ISO 15693 (R/W)	TI HF-I Plus TI HF-I Pro	
ISO 14443-A (R/W)	NXP Mifare_One (S50_4byte) NXP Mifare_One (S70_4byte) NXP Mifare UltraLight NXP Mifare UltraLight C NXP Mifare_Plus_S 2K NXP Mifare_Plus_S 4K NXP Mifare_Plus_X 2K NXP Mifare_Plus_X 4K	
ISO 14443-A	NXP Mifare DESFire _EV1 4K	
ISO 14443-B	ST SRIX 4K	

4.2

4.3 Battery



The life of the battery will depend on different use factors and the device settings, e.g.:

- Use and setting of WLAN / Bluetooth
- Background lighting brightness level/screensaver
- Power management settings
- Use and setting of 1D-/2D-Imager, 4G/LTE module, Add-on module and camera

Battery	(only replaceable in safe range)
Build in	7.4 V / 4,200 mAh
Hot-swappable 2nd battery (optional)	7.4 V / 4,200 mAh
Operating temperature	
– During charging	0 °C to +45 °C +32 °F to 113 °F
– During discharging in potentially explosive atmosphere	-20 °C to +50 °C -4 °F to 122 °F
– Storage temperature	-20 °C to +50 °C -4 °F to 122 °F
Relative air humidity	30 %-90 % (non condensing)
Lifecycle	≥ 300
Charging time (only internal)	2,5h
Charging time (internal + external battery)	Up to 4h (intelligent algorithm to charge first of all the internal battery)

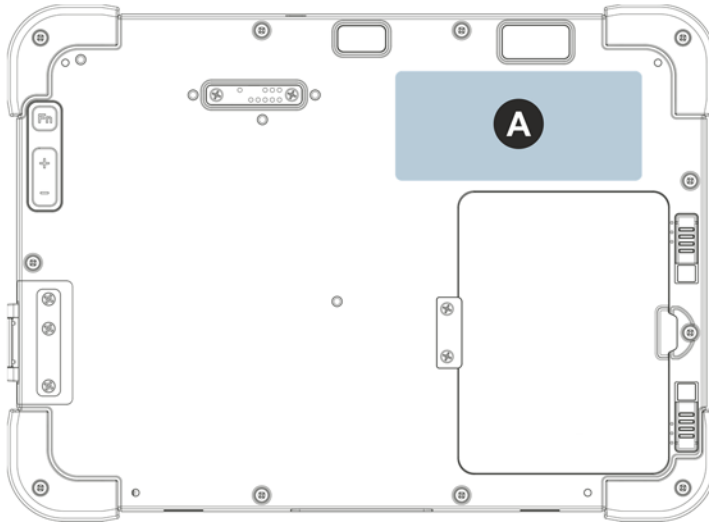
4.4 External interfaces

DANGER

Non-certified accessories endanger the explosion protection.
 Danger to life exists in potentially explosive atmospheres!

- ▶ The external interfaces may only be used outside the potentially explosive range with accessories specified by the manufacturer.
- ▶ Only use original BARTEC accessories:
 - Add-On modules,
 - BARTEC certified USB Drive,
 - BARTEC certified Micro SD card.

4.5 Product labelling



A Laser warning - Type Label Zone 0

With scanner

Type: **Label comes from Winmate**
17-A1B6-****/*****1**

Without scanner

Type: **Label comes from Winmate**
17-A1B6-****/*****0**

A Laser warning - Type Label Zone 1

With scanner

Type:

17-A1B4-****/*****1**

Label comes from Winmate

Without scanner

Type:

17-A1B4-****/*****0**

Label comes from Winmate

External battery
type 17-A1Z0-0006



CE FC **UL** LISTED 3986 **US** **ITE FOR USE IN HAZ LOC**

WARNING/ AVERTISSEMENT

Class 1 Division 2 Groups A, B, C, D T4A
WARNING: read user manual before use.
AVERTISSEMENT: lire le mode d'emploi avant utilisation

II 3G Ex ic IIC T5 Gc
 II 3D Ex ic IIIB T90°C Dc IP54
 EPS 15 ATEX 1823 X
 Ex ic IIC T5 Gc
 Ex ic IIIB T90°C Dc IP54
 IECEx EPS 15.0010X

Ambient temperature:
 -20°C up to +50°C

To prevent ignition of hazardous atmosphere, batteries must only be changed or charged in an area known to be non-hazardous. Battery lock must be engaged when used in Hazardous Location.
 Replace Battery with Battery type B7-A2Z0-0028 Model BS101, manufactured by WINMATE COMMUNICATION INC only.
 Expansion Port / Docking Connector / Side I/O: Not for use in hazardous locations. See installation instructions.
 Pour éviter l'flammation dans une atmosphère dangereuse, les batteries ne doivent être changées ou chargées que dans une zone connue comme étant non dangereuse.
 Le verrouillage de la batterie doit être activé quand utilisé en zone dangereuse.
 Remplacer la batterie avec batterie type B7-A2Z0-0028 Model BS101, fabriqué par WINMATE COMMUNICATION INC seulement.
 Port d'extension / Connecteur d'accueil / Le côté I/O: Ne pas utiliser dans des endroits dangereux. Voir les instructions d'installation.



BARTEC BS101 Part number : B7-A2Z0-0028
DC 7.4V 5300mAh 39.22Wh

CAUTION

- IMPROPER OPERATION MAY CAUSE DAMAGE TO THE BATTERY OR DANGEROUS ACCIDENTS.
- DO NOT PLACE THE BATTERY NEAR ANY HEAT SOURCE.
- DO NOT TRY TO DISASSEMBLE OR SHORT CIRCUIT THE BATTERY.
- DO NOT USE CHARGES OTHER THAN THE ONES PROVIDED BY THE ORIGINAL MANUFACTURER.
- THIS BATTERY MUST BE RECYCLED OR DISPOSED OF PROPERLY.
- NEVER SOAK THE BATTERY IN LIQUID SUCH AS WATER, DRINK OR OIL.
- PLEASE USE THE BATTERY UNDER PROPER TEMPERATURE CONDITIONS. TEMPERATURE: -10 - 60°C
- IF THE BATTERY HAVE NOT BEEN IN USE, PLEASE CHARGE IT 1-3 MONTHS AFTER THE LAST USE TO THE RECOMMENDED STANDARD OF 90% OR ABOVE

21CP65/54/130-1
 MADE IN TAIWAN
 E213998

Recyclable **WARNING** MAY EXPLODE IF DISPOSED OF IN FIRE

USB Stick 8 GB
type 17-A1Z0-0007



Micro SD card



type 17-A1Z0-0008
type 17-A1Z0-0009 and
type 17-A1Z0-0010

Microsoft Windows
Licence



4.6 Laser labels

The accessible laser radiation is in the visible spectral range (630nm to 680nm). It is not dangerous to the eye for short term exposure (up to 0.25 s).

NB:



In the case of laser devices of class 2, the eye is not in danger from incidental short term exposure to laser radiation, i.e. radiation exposure up to 0.25 s.

Laser devices of class 2 may therefore be used without protective measures if it is ensured that:

- neither intentional looking into the device is necessary for the application for a period longer than 0.25 s
- nor repeated looking into the laser radiation or reflected laser radiation.

In compliance with IEC 60825 and EN 60825, Clause 5 the following information is provided:

DEUTSCH KLASSE 1 KLASSE 1 LASER PRODUKT LASERLICHT KLASSE 2 NICHT IN DEN LASERSTRAHL SEHEN KLASSE 2 LASER PRODUKT		
ENGLISH CLASS 1 CLASS 1 LASER PRODUCT LASER LIGHT CLASS 2 DO NOT STARE INTO BEAM CLASS 2 LASER PRODUCT	FRENCH / FRANÇAIS CLASSE 1 PRODUIT LASER DE CLASSE 1 LUMIERE LASER NE PAS REGARDER LE CLASSE 2 RAYON FIXEMENT PRODUIT LASER DE CLASSE 2	
ITALIAN / ITALIANO CLASSE 1 PRODOTTO AL LASER DI CLASSE 1 LUCE LASER CLASSE 2 NON FISSARE IL RAGGIOPRODOTTO AL LASER DI CLASSE 2	PORTUGUESE / PORTUGUÊS CLASSE 1 PRODUTO LASER DA CLASSE 1 CLASSE 2 LUZ DE LASER NÃO FIXAR O RAILO LUMINOSO PRODUTO LASER DA CLASSE 2	
DUTCH / NEDERLANDS KLASSE 1 KLASSE-1 LASERPRODUKT LASERLICHT KLASSE 2 NIET IN STRAAL STAREN KLASSE-2 LASERPRODUKT	DANISH / DANSK KLASSE 1 KLASSE 1 LASERPRODUKT LASERLYF KLASSE 2 SE IKKE IND I STRÅLEN KLASSE 2 LASERPRODUKT	
NORWEGIAN / NORSK KLASSE 1 LASERPRODUKT, KLASSE 1 LASERLYS IKKE STIRR INN I KLASSE 2 LYSSTRÅLEN LASERPRODUKT, KLASSE 2	FINNISH / SUOMI LUOKKA 1 LUOKKA 1 LASERTUOTE LASERVALO LUOKKA 2 ÄLÄ TUIJOTA SÄDETTÄ LUOKKA 2 LASERTUOTE	

5. Transport and storage

5.1 Transport



Report any transport damage or incomplete deliveries immediately after receipt in writing to the forwarding company and BARTEC GmbH.

Any damage caused through incorrect storage shall not be covered by the warranty provisions of BARTEC GmbH.

5.2 Storage

ATTENTION

Property damage through incorrect storage!

- ▶ Observe storage temperatures.
- ▶ Keep humidity away from the Tablet PC.

Additional information on the batteries

The batteries of BARTEC are developed and manufactured in accordance with the highest industrial standards. The operating time or storage period of a battery is restricted, however. The actual life of a battery is influenced by different factors, e.g. hot, cold, rough operating environment and falling from a great height. If a battery is kept longer than six months, the performance may be impaired on a permanent basis. Keep the batteries in a dry, cool place. For longer periods of storage, remove the batteries from the device to prevent self-discharge, rusting of the metallic and the escape of electrolyte.

Batteries kept for duration of six months or longer should be charged and discharged again at least every three months. If electrolyte has escaped, do not touch the areas affected and dispose of the batteries as prescribed. Replace the battery if the operating time has shortened considerably.

The standard warranty period for all BARTEC batteries is six months, whereby it is irrelevant whether the battery was acquired separately or was contained in the scope of the delivery of the Tablet PC.

6. Commissioning

DANGER

Avoid electrostatic charging in potentially explosive atmosphere.

Danger to life in explosive atmosphere!

- ▶ Do not dry wipe or clean the devices.
- ▶ Wear suitable clothing and shoes.
- ▶ Do not use rubber gloves or similar.

DANGER

Unintended use endangers explosion protection.

Danger to life in explosive atmosphere!

- ▶ Do not make any changes to the 10.1" Agile X IS Tablet PC.
- ▶ In the case of function disturbances or damage to the enclosure, the device should be removed immediately from the potentially explosive atmosphere to a safe place. Remove battery to decommission the device!
- ▶ Do not use any battery replicas or batteries from other manufacturers.

Before you assemble the device, make sure that all components and documents exist.

6.1 Scope of delivery

- Agile X IS Tablet PC (10.1" Ex Certified)
- Charging power supply
- Cover module (if there is no external battery)
- Stylus
- Quick Start Guide

6.1.1 Optional accessories

Authorised accessories from BARTEC:

- Lithium-Ion battery pack (type 17-A1Z0-0006) with 7.4 V / 4,200 mAh
- BARTEC intrinsically safe USB stick (type 17-A1Z0-0007)
- Micro SD card (type 17-A1Z0-000x)
- Spare stylus (type 03-9849-0149)
- Desktop docking station for network communication and charging
- Table-top charger dual compartment
- Charging power supply
- Screen protector (type 17-A1Z0-0011)

6.2 Requirements in potentially explosive atmosphere

Tablet PC

- The Tablet PC may not be opened.
- Do not use, swap or replace and non-specified components.
- Do not retrofit any components to the internal plugs or slots. One exception is the port for SIM card and the port for the Micro SD card.
- Protect the Tablet PC from impact!
- External battery pack replacement is possible!
- USB stick (only with special BARTEC intrinsically safe USB stick possible)
- Do not expose the Tablet PC to caustic/aggressive liquids, vapours, mists!
- Avoid the impact of moisture outside the specifications.
- Avoid thermal impact outside the specified temperature range.

Battery

- The battery may not be opened.
- Only charge the battery (type 17-A1Z0-0006) outside the potentially explosive atmosphere.
- Only use the battery for the purpose listed in this manual is suitable for the Tablet PC Agile X IS.
- There is a danger of burning if used incorrectly. Do not expose the battery to temperatures of more than +60 °C (+140 °F).
- Battery acid may escape from the cells and cause burning in the case of damage.
- Defective batteries must be disposed of immediately, whereby the provisions on battery disposal applicable in the respective region must be observed.
- The battery may explode if it catches fire!
- Do not short circuit the battery!
- Only use BARTEC certified batteries!

Accessories

- Only install or replace accessories (except BARTEC USB stick, Micro SD Card and BARTEC external battery) outside the potentially explosive atmosphere.
- User accessories exclusively which have been tested or certified by BARTEC for this purpose.

6.3 Handling accessories

DANGER

Non certified accessories endanger explosion protection.

Danger to life exists in potentially explosive atmospheres!

- ▶ Only use original accessories from BARTEC
- ▶ Only permitted outside the potentially explosive atmosphere:
- ▶ Charge battery.
- ▶ Insert/remove Add-on modules

6.4 First steps



The individual steps are explained in detail in the following chapters!

1. Unpack the Tablet PC.
2. Insert the battery into the Tablet PC.
3. Charge the battery in the Tablet PC in a safe atmosphere using [charging power supply](#).
4. Switch on the Tablet PC.

In order to start using the Agile X IS Industry Tablet for the first time:

1. Install the external battery/cover module.
2. Fully charge the internal and external battery (if used, optionally available)
3. Install SIM/Micro SD Card/USB-Stick (Optional)
4. Start the Agile X IS

6.4.2 Insert battery

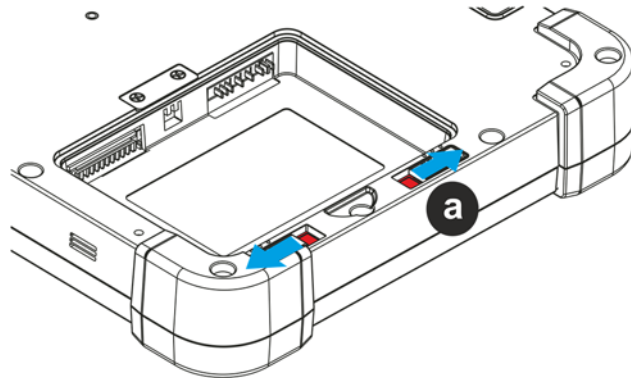


The Tablet PC is supplied with a build in 7.4 V / 4,200 mAh battery. If no external battery is insert, a cover module must be placed instead.

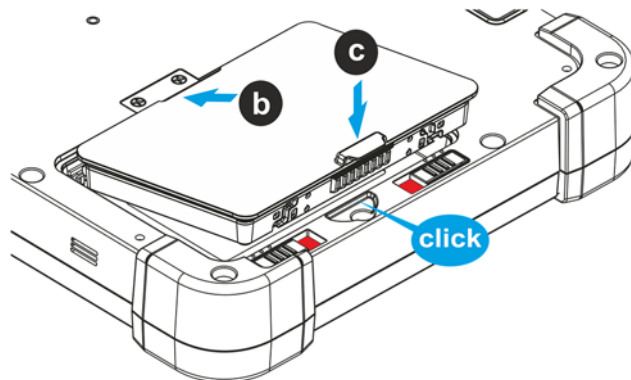
Battery for explosion-protected version, type	Order number	Charge time
– Lithium-Ion battery pack with 7.4 V / 4,200 mAh	17-A1Z0-0006	Less than 2.5 hours

Work steps:

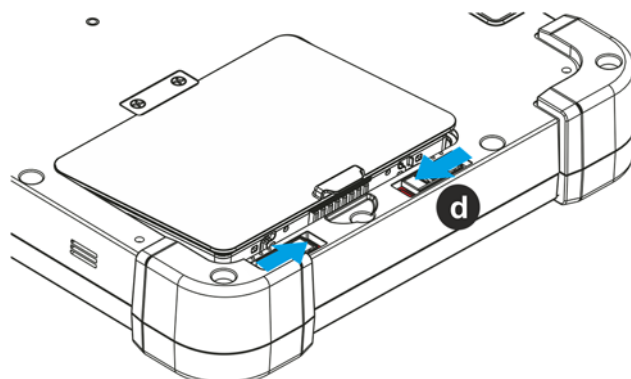
1. Place the Agile X IS with the front side (display facing down) on a flat surface.
2. Before the battery can be inserted, the two-step unlocking device (a) of the battery compartment must be open.
3. Please make sure that both latches are locked in place in the outer position (red marking in the unlocking device becomes visible).



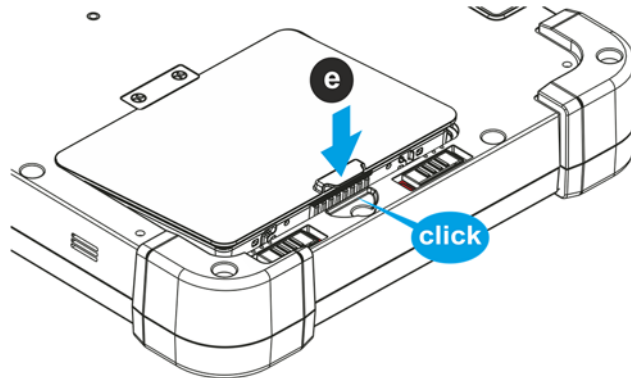
4. Insert the battery (b) with the charging contacts firstly into the battery compartment.
5. The battery charging contacts (c) must be consistent with the charging contacts in the battery compartment.



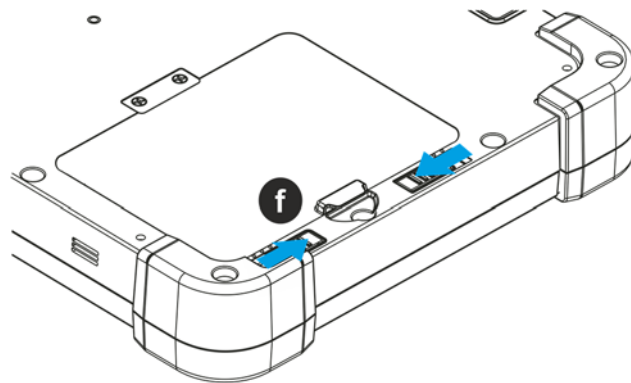
6. Press the battery into the clamp position until you hear a click.
7. Slide the latches to the middle position (d).



8. Press the battery into the battery compartment until you hear a click (e).



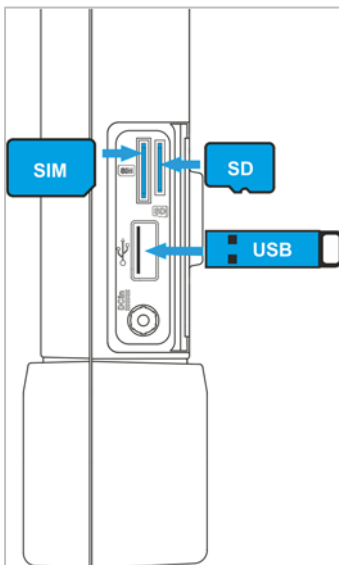
9. Slide the latches into the unlocked position (f).



6.4.3 Insert USB stick



Only the BARTEC USB stick (Type 17-A1Z0-0027) is to be used for data exchange (via the USB port) in potentially explosive atmospheres.



6.4.4 Insert SIM card

The Tablet PC has a replaceable micro Sim Card slot.

⚠ DANGER

Non-certified accessories endanger explosion protection.

Danger to life exists in potentially explosive atmospheres!

- ▶ The ignition protection is rendered ineffective by using modules from other manufacturers so that a danger of fire or explosion exists.

Only admissible outside potentially explosive atmospheres:

- ▶ The Sim Card may only be replaced outside the potentially explosive atmosphere!
- ▶ The EGB information should be followed in order to prevent any damage to the Tablet PC. This includes working on an antistatic mat. The operator must also be correctly earthed. (EGB = Rules in the handling of electrostatically endangered construction elements and assemblies.)

ATTENTION

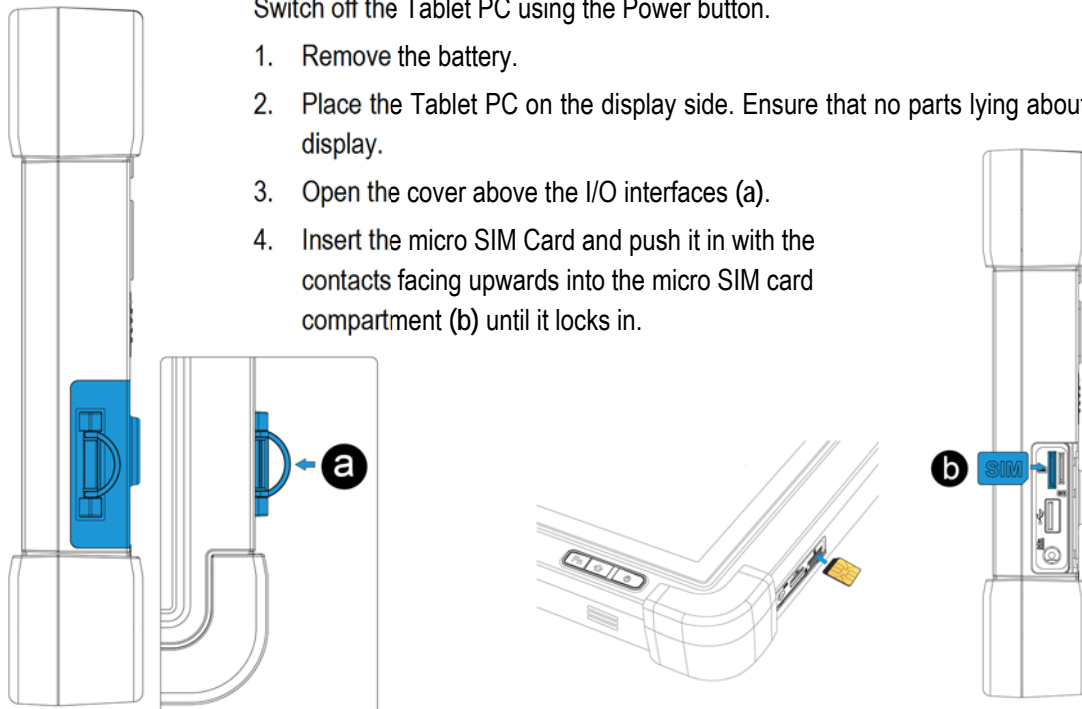
Incorrect handling can lead to material damage!

- ▶ Switch off the Tablet PC before replacing components.
- ▶ Turn off the Tablet PC before removing the battery. Errors when removing the battery may lead to a loss of data.

Work steps:

Only insert or remove the micro SIM Card outside the potentially explosive atmosphere. Switch off the Tablet PC using the Power button.

1. Remove the battery.
2. Place the Tablet PC on the display side. Ensure that no parts lying about scratch the display.
3. Open the cover above the I/O interfaces (a).
4. Insert the micro SIM Card and push it in with the contacts facing upwards into the micro SIM card compartment (b) until it locks in.



5. Close the cover of the I/O interface.
6. Insert the battery.
7. Switch on the Tablet PC using the Power button.
8. Start up the Tablet PC and check whether the SIM Card has been recognised in the system control.

6.4.5 Insert micro SD card

ATTENTION

Damage to the micro SD card through electrostatic discharges!

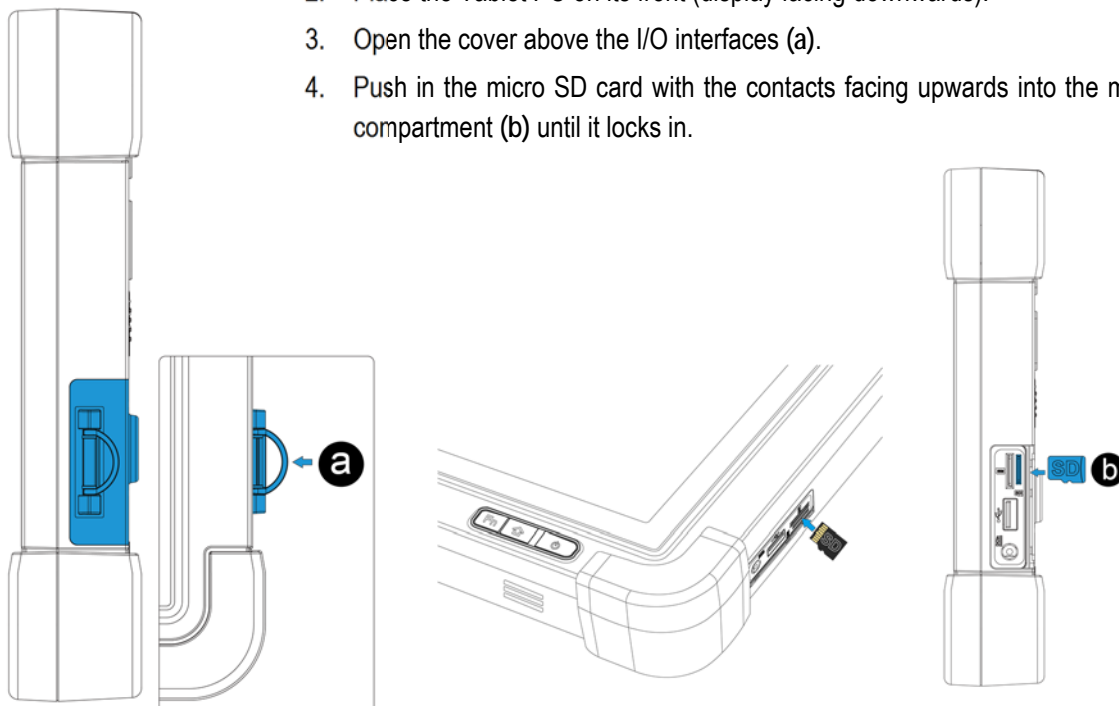
- ▶ User antistatic mat.
- ▶ Ensure that the operator is correctly earthed.
- ▶ A maximum of 32 GB are supported.
- ▶ BARTEC offers the following micro SD cards:

8 GB	order number 17-A1Z0-0008
16 GB	order number 17-A1Z0-0009
32GB	order number 17-A1Z0-0010

Work steps:

Only install or replace the micro SD card outside of the potentially explosive atmosphere. Only use micro SD cards which have been tested and certified by BARTEC for this purpose.

1. Switch off the Tablet PC using the Power button.
2. Place the Tablet PC on its front (display facing downwards).
3. Open the cover above the I/O interfaces (a).
4. Push in the micro SD card with the contacts facing upwards into the micro SD card compartment (b) until it locks in.



5. Close the cover of the I/O interface.
6. Switch on the Tablet PC using the Power button
7. Check whether the micro SD card has been recognised and is available in system control or in the file explorer.

6.4.6 Remove/replace screen protector

⚠ DANGER

Non-certified accessories endanger explosion protection.

A danger to life exists in a potentially explosive atmosphere!

- ▶ A condition for a safety conscious operation is the use of original screen protectors which have been specified for use by BARTEC.
- ▶ Using screen protectors from different manufacturers renders the ignition protection useless so that there is a danger of fire or explosion.

Only admissible outside potentially explosive atmospheres:

- ▶ The screen protector may only be attached or replaced outside the potentially explosive atmosphere!

ATTENTION

Incorrect handling may cause damage to property!

- ▶ Use a screen protector so as not to impair the device warranty.
- ▶ Only use screen protector (Type 17-A1Z0-0011) from BARTEC.
- ▶ Observe the installation instructions for the screen protector.
- ▶ Do not use any sharp objects to remove the screen protector!

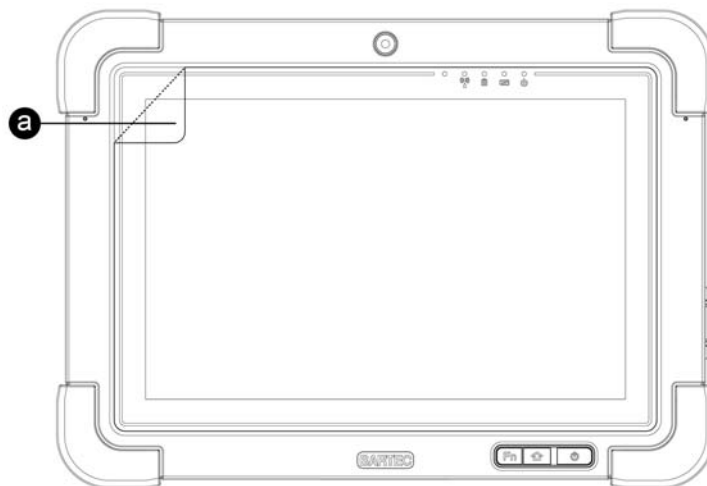


The screen protector can be ordered from BARTEC. The installation instructions for the screen protector forms part of the scope of delivery. Parts number: 17-A1Z0-0011 screen protector, 1 piece.

Work steps:

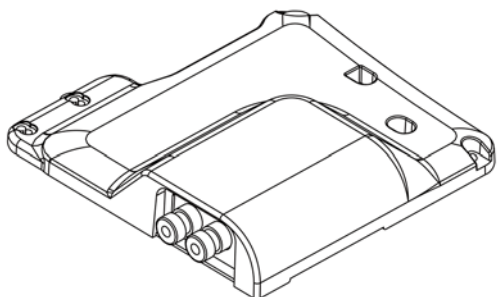
Only remove or replace the screen protector outside the potentially explosive atmosphere.

1. Lift a corner of the screen protector (a) and remove it from the display.



2. Attach the screen protector in accordance with the "Screen protector installation instructions".

6.5 HART Add-On Module (for future use)



The intrinsically safe combination of the Agile X IS tablet PC system and the HART Add-On Module makes it possible to perform diagnostics, set parameters and manage field devices much more quickly and efficiently. The HART module is used as an add-on module for the Agile X IS tablet PC system in its extension interface. Since the user is now able to switch safely between the Ex and non-Ex area, only one device is then needed for the wireless uploading or adjusting of the field devices distributed there, completely independently of the control system.

6.5.1 Versions

ATTENTION

Not for use in Zone 0

6.5.2 Software

The usual software solution available in the market may also be used on the Windows-based Agile X IS. Communication using the industrial standard FDT / DTM is also possible.

Available DTM software supports the following 64-bit operating systems:

- Windows 8.1 Embedded Industry Pro
- Windows 10 IoT Enterprise

6.5.3 Assembly of the HART Add-on Module

The intrinsically safe combination of the tablet PC system and the newly developed HART Add-On Module makes it possible to perform diagnostics, set parameters and manage field devices much more quickly and efficiently. The HART modem is used as an add-on module for the tablet PC system in its extension interface. Since the user is now able to switch safely between the Ex and non-Ex area, only one device is then needed for the wireless uploading or adjusting of the field devices distributed there, completely independently of the control system.

Scope of delivery:

- 1x HART Add-On Module
- 2x Pan head screw M3x10
- 2x Pan head screw M3x7
- 2x Truss head screw M3x7
- 2x Connection cable
- 2x Test probes
- 1x Installation instruction HART Add-On Module

⚠ DANGER

The extension interface of the tablet PC must always be sealed in a potentially explosive atmosphere! There is a risk of explosion!

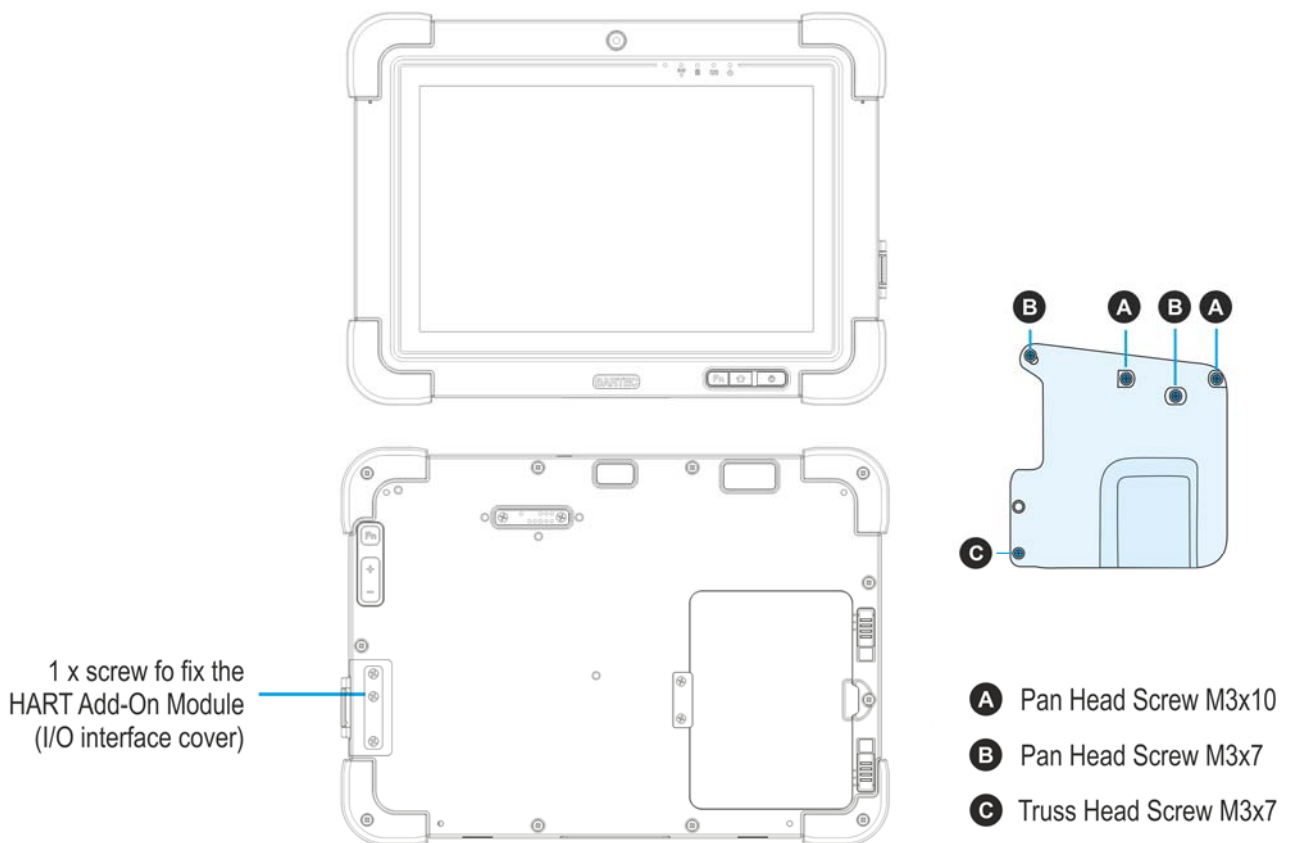
- ▶ Only remove or mount the cover of the extension module outside the potentially explosive atmosphere.
- ▶ Only assemble/dismantle the HART Add-On Module outside the potentially explosive atmosphere.
- ▶ Risk of short circuiting if the screws supplied with delivery are not used.
- ▶ Carry out the correct assembly for the attachment.



Use the screws supplied with delivery. All screws must be used to ensure the safe mechanical assembly of the HART Add-On Module on the tablet PC.

Store the cover of the extension port safely.

6.5.4 Installation HART Add-On Module



Only assemble/dismantle the HART Add-On Module outside the potentially explosive atmosphere.

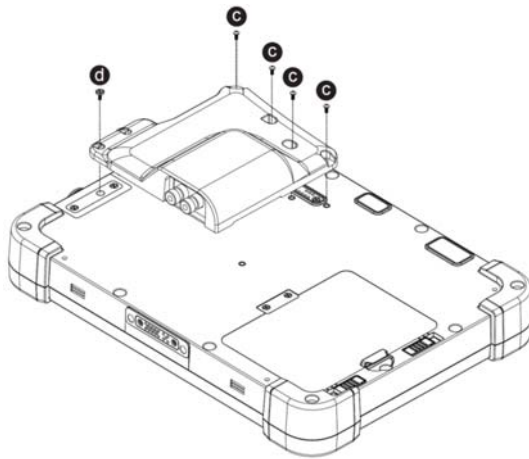
Only use the HART Add-On Module for the purpose that they have been tested and certificated by BARTEC.



Avoid data losses!

Do not just switch the tablet PC using the "ON/OFF" switch.

Work steps:



1. Shut the tablet PC down using the operating system.
2. Place the tablet PC on the display side, taking care that no parts nearby scratch the screen.
3. Remove the top middle screws on the I/O interface cover.
4. Unpack the HART Module (the screws supplied for mounting are in the packaging).
5. Place the HART Add-On Module on the extension interface.
1. Fasten the HART Add-On Module using 5 screws. Torque value 3 Nm.
2. Visual inspection of the HART Add-On Modules to ensure correct positioning and assembly.
3. Switch the tablet PC on using the "ON/OFF" button.

⚠ DANGER

Non-certified accessories endanger explosion protection.
Danger to life exists in potentially explosive atmospheres!

- ▶ A condition for a safety conscious operation is the use of HART Add-on modules which have been specified for use by BARTEC.
- ▶ The ignition protection is rendered ineffective by using modules from other manufacturers so that a danger of fire or explosion exists.

Only admissible outside potentially explosive atmospheres:

- ▶ The HART Add-on modules may only be replaced outside the potentially explosive atmosphere!
- ▶ The EGB information should be followed in order to prevent any damage to the Tablet PC. This includes working on an antistatic mat. The operator must also be correctly earthed.
(EGB = Rules in the handling of electrostatically endangered construction elements and assemblies.)

ATTENTION

Incorrect handling may cause damage to property!

- ▶ Switch off the Tablet PC before replacing components.
- ▶ Turn off the Tablet PC before removing the battery. Errors when removing the battery may lead to a loss of data.
- ▶ For a secure mechanical mount of the HART Add-On Module on the tablet-PC Agile X IS, all supplied screws need to be used.

- 6.5.5 Zubehör Schultergurt/4-Punkt Tragegurt
- 6.5.6 Setting up/activating the HART Add-On Module

Switching the tablet PC on.

Press the ON/OFF button for three seconds.

Activating the HART Add-On Module.

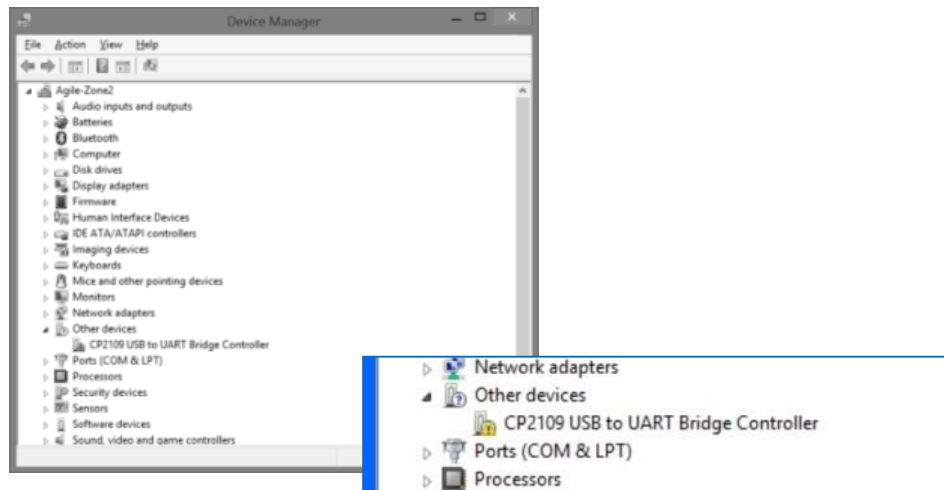
- (1) Click on "Hottab" on the start screen to start the application.
- (2) Click in the menu on the option "Device ON/OFF".
- (3) Select "Ext.Module" to active the extension interface.
(orange = ON; White = OFF)
- (4) Power set to ON.

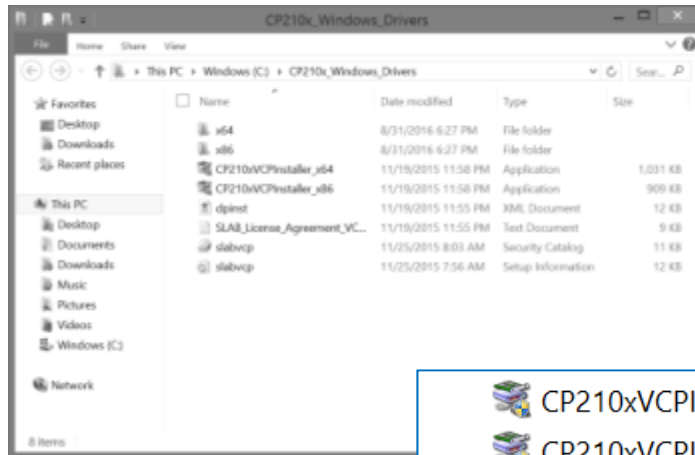
In up-to-date versions of the operating system the driver has already been integrated in the image. With older versions the driver must be installed manually using the device manager.



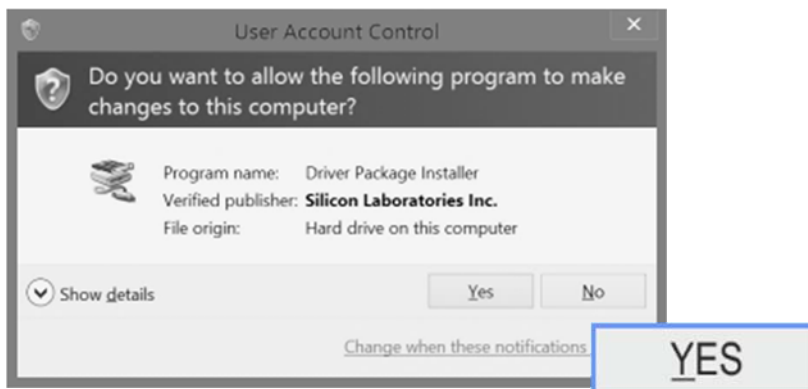
Do not assemble or remove the hand strap in a potentially explosive atmosphere.

- 6.5.7 Downloading and installing driver software





1. If the driver for the virtual COM port is not listed in the tablet PC's system image, a new "CP210x USB to UART Bridge Controller" device will appear under "Other devices" in the device manager once the HART Add-On Module has been mounted.
2. Download the driver from:
<http://automation.bartec.de/>
3. Unzip the zip file.
4. Select the right driver installer for the operating system
- 32-bit driver version:
CP210xVCPInstaller_x86-Installer
- 64-bit driver version:
CP210xVCPInstaller_x64-Installer
5. The "User Account Control" (UAC) window opens.
6. Start installation by clicking on "Yes".



1. Continue installation in the "CP210x USB to UART Bridge Driver Installer" window by clicking on "Next".



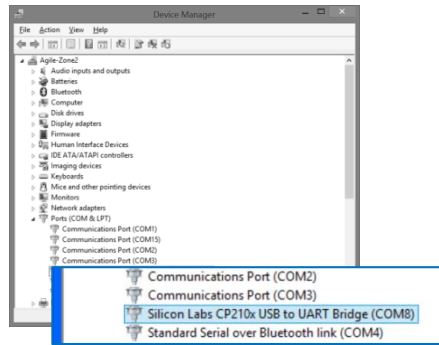
1. Accept the licence conditions by clicking on "I accept this agreement" and confirm by clicking on "Next".



7. The "The Drivers were successfully installed on this computer" message appears in the window.

Complete installation by clicking on "Finish".

8. Once the driver has been installed, the HART Add-On Module can be found in the device manager under: "Ports (COM & LPT)" with the designation "Silicon Labs CP210x USB to UART Bridge".



7. Operation

The operator using an electric system in a potentially explosive environment must keep the accompanying operation equipment in good condition, operate and monitor it correctly and conduct the requisite services and repairs. Before operation the devices it must be checked that all components and documents are available.

7.1 Final inspection

The following aspects must be checked before putting the device into operation:

- ▶ Is there any damage to the display, scanner window or enclosure?
- ▶ Are all covers closed as required?
- ▶ Is the battery used certified?
- ▶ Is the battery correctly inserted and locked?
- ▶ Does the screen protector (if used) have the requisite certification?
- ▶ Is the micro SD card specified for the Tablet PC?
- ▶ Has the SIM card been correctly inserted?
- ▶ Have only accessory parts been attached to the device which have been released for use in potentially explosive atmospheres?

7.2 Care and cleaning

We recommend that the devices be cleaned regularly depending on use and also treated with care to ensure smooth and trouble free operation.

7.2.1 Care

Display	<ul style="list-style-type: none"> – Only use with supplied stylus for the touchscreen. – Use screen protector. – Use a soft cloth to clean and do not use aggressive cleaners.
Enclosure	<ul style="list-style-type: none"> – Protect device from impacts. – Do not expose to extreme loads, e.g. strong knocks and falling from great heights.
Environment	<ul style="list-style-type: none"> – Do not expose to extreme temperatures. – Do not leave in dirty, moist or wet environment.

Battery	<ul style="list-style-type: none">– Change battery regularly.– Discharge and charge battery regularly (every 3 months).– For long term storage, remove the batteries from the Tablet PC and store in a cool environment at around 0 °C to +10° C and with a charge state of approximately 40-50 %.– Once a charge state of approximately 5 % has been reached, it is recommended that the battery be recharged. It is not necessary to discharge the battery entirely. The daily charging of the battery is also not harmful. Nowadays batteries no longer have a “Memory Effect”.– If the battery reduces its charge state from 100 % to half to quickly it is time to replace the battery. The expected of the life off the battery is approximately 300 charges with standard use.
---------	---

7.2.2 Cleaning

⚠ DANGER

Danger to life exists in potentially explosive atmospheres!

- ▶ Only clean the devices and the accessories outside of the potentially explosive atmosphere.

ATTENTION

Devices and accessories can be destroyed if handled incorrectly!

- ▶ Generally separate the charger from the power supply.
- ▶ Only clean the interface contacts if the battery has been removed.
- ▶ There should be no residue, e.g. fluff on the contacts.
- ▶ There should be no moisture residue on the contacts.
- ▶ Heed the safety precautions when drying with compressed air.

To guarantee your own safety and the operational safety of the device, observe the precautionary measures carefully.

7.2.3 Suitable materials for cleaning

- Alcohol cleaning cloths
- Lens cleaning cloths
- Cotton swabs
- Isopropanol
- Compressed air spray with tube

Enclosure	<ul style="list-style-type: none"> – With alcohol cleaning cloths.
Keys and intermediate spaces	<ul style="list-style-type: none"> – With alcohol cleaning cloths.
Screen	<ul style="list-style-type: none"> – With alcohol cleaning cloths. – Avoid collections of fluid and rub with smooth cloths.
Scanner window	<ul style="list-style-type: none"> – Use cleaning agent for optical devices.
Battery contacts	<ul style="list-style-type: none"> – Remove the battery from the device to clean. – Soak the cotton swabs in an alcohol solution to remove all grease and dirt deposits on the contacts. – Repeat cleaning several times. – Before replacing the battery, the contacts need to be completely dry and no dust should remain.
Interface contacts	<ul style="list-style-type: none"> – To clean the interface contacts, remove the battery from the device. – Soak the cotton swabs in an alcohol solution to remove all grease and dirt deposits on the contacts. – Repeat cleaning several times. – Before the interfaces of the devices are used again, the interface contacts must be completely dry and no fluff should remain.
Accessories such as charger, docking station, cradle connectors	<ul style="list-style-type: none"> – Separate the accessories from the power supply to clean. – Soak the cotton swabs in an alcohol solution to remove all grease and dirt deposits on the contacts. – Repeat cleaning several times. – Before the accessory is reconnected to the power supply, the contacts must be completely dry and no fluff should remain.

7.3 Operation, recommendations and requirements

7.3.1 Basic safety and health protection requirements

Consult your local health and safety officer to ensure that you are acquainted with the safety regulations in your company which serve to protect employees at the workplace.

7.3.1.1 Ergonomic recommendation

The following recommendations should be considered for everyday work at the workplace:

- Avoid one-sided, constantly repetitive movements.
- Body posture should be as neutral as possible.
- Avoid exercising great force.
- Keep objects which are used frequently within a functional distance.
- Adjust the working height to the body height and type of work.
- Erect objects without vibration.
- Avoid the exercising of direct pressure.
- Ensure that the tables and chairs are adjustable.
- There must be sufficient room for body movements.
- Ensure that the working environment is suitable.
- Optimise work flows.
- Alternate between the left and right hand as frequently as possible when conducting repetitive tasks.

7.3.1.2 Vehicle installation



It is not permitted to connect a warning device which leads to horn sounds or light signals when receiving a call in road traffic.



Information on conducting telephone conversations only applies if a 4G LTE module is used.

RF signals may impair incorrectly installed or inadequately shielded electronic systems in vehicles (including safety systems). If you have any questions on your vehicle, get in touch with the manufacturer or sales person.

You can also learn from the manufacturer whether additional equipment has been fitted to the vehicle. An airbag has a strong impact. Do NOT place objects, such as installed or portable radio equipment, in the area above the airbag or in the area of deployment of the airbag. If radio equipment was not correctly installed in the vehicle, severe injuries may result if the airbag is triggered.

Position the device within good range. Ensure that you have access to the device without having to take your eye off the road.

Road traffic safety

Do not take any notes and do not use the device when driving. Making a list of to-dos or browsing through the address book when driving has a negative effect on safe driving. When driving on the road, you must primarily think of your safety and that of other road users. You should therefore concentrate completely on the road. Check the legal provisions on the use of wireless devices in road traffic of the respective region. Always observe these.

If you use a wireless device during driving a car, rely on your good judgement and remember the following:

- Become acquainted with the wireless device and its functions such as the shortcut dialling or dial repetition function. These functions may prove to be useful if you would like to make calls without taking your eye off the road.
- Where possible, use hands-free equipment.
- Let your dialogue partner know that you are behind the steering wheel. When necessary discontinue the call in dense traffic or poor weather conditions. Rain, sleet, snow, ice and even very dense traffic represent dangers.
- Dial the required numbers carefully and estimate the traffic situation. Make your calls once you have brought your car to a stop or before you leave. Plan your calls such that these can be done when parked. If you really must make a call during the trip, only dial a part of the number, check the road and look in the rear view mirror and then dial the rest of the number.
- Do not succumb to stressful and emotional telephone conversations which could take your attention from the road. Let your dialogue partner know that you are in a car and refrain from conversations which could take your attention from the road.
- Call for help using your mobile device if necessary. Dial the emergency services (911 in the USA and 112 in Europe) or other local emergency service numbers in the event of fire, accident or medical emergencies. Remember that these calls are free of charge on the wireless device! The call can be made independently of security code or networks with or without a SIM card.
- Help your fellow humans in emergency situations with your mobile device. If you witness a serious accident, crime or any other emergency, call the emergency service (911 in the USA and 112 in Europe) or another local emergency service number because you could be the one who needs help next time.
- Call the breakdown service or a special mobile radio number for support if you encounter problems on the road. If you pass a car with a breakdown, which does not represent a serious impediment to traffic, pass traffic lights which do not function, a traffic accident with slight damage and without injuries or a possibly stolen car, please get in touch with the road police or another special mobile radio number for support.

The "Mobile Communication Industry" requests you to give safety priority when using your device/telephone.

7.3.2 Information on the use of wireless devices

Heed all warnings referring to the use of wireless devices.

7.3.2.1 Safety in aircraft

Switch off the wireless device when asked to do so by the ground staff and by employees of the airline. If your device has a flight mode or similar function, find out about its correct use with the help of the aircraft staff.

7.3.2.2 Safety in hospitals

Wireless devices emit radio frequencies and cause disturbances to medical technical electrical devices. Wireless devices should be switched-off on request when you are in hospitals, clinics or health establishments. This is intended to avoid any possible interferences with sensitive medical equipment.

7.3.2.3 Heart pacemakers

Manufacturers recommend that a minimum distance of 15 cm be observed between a wireless handheld device and a pacemaker to avoid potential interference. This guideline is in line with the independent research results and recommendations of Wireless Technology Research.

- Persons with heart pacemakers should ALWAYS keep at least 15 cm away from the activated device.
- The device may not be worn by these persons in the breast pocket.
- The device should be held to the ear which is further away from the heart pacemaker.
- If you have reason to assume that an interference has arisen you should SWITCH-OFF the device immediately.

7.3.2.4 Hearing aids

The wireless device may cause disturbances to hearing devices. Get in contact with the manufacturer of your hearing device in the case of disturbances to ask about possible solutions.

- The device should be held to the ear which is furthest away from the heart pacemaker.
- If you have reason to assume that interference has arisen you should SWITCH OFF the device immediately.

7.3.2.5 Other medical equipment

Ask your doctor or the manufacturer of the medical device to determine whether putting the wireless product into operation impairs the medical device.

7.3.3 Equipment of the laser devices

⚠ CAUTION

Laser radiation! May damage eyesight!

- ▶ Do not look into the laser beam.

Devices from BARTEC equipped with lasers comply with the following guidelines:

- IEC 60825-1:2007 / EN 60825-1:2008-05 Class 2 (1 mW, 630-680 nm)
- IEC 60825-1 / EN 60825-1: Class 1 LED product (only with imaging option, no laser label)

The Tablet PC uses the ZEBRA SE4500 barcode reader. The classification for the laser device is stated on the plate attached to the device. Laser devices of class 1 are not considered to be dangerous as long as they are used for their intended purpose.

7.3.4 LED devices

⚠ CAUTION

LED light! May damage eyesight!

- ▶ If you use LED for the camera flash, keep the camera flash LED at least 317 mm (12.5 inch) away from a person's eyes. Otherwise serious damage may be caused to the eyes.

Devices from BARTEC equipped with LED devices comply with the following guidelines:

- IEC 62471:2006-07 for LED safety.

7.3.5 Restrictions in the case of wireless devices



The use of wireless devices is possibly forbidden or restricted. This applies primarily on board aircraft, in hospitals, in the vicinity of explosive substances or under other hazardous conditions. If you are not sure which regulations apply to the use of the device, ask permission before switching it on.

Radio modules

The device contains radio modules. The identification data for these modules are provided below:

- Radio module from BARTEC which supports WLAN 802.11 a/b/g/n/ac and Bluetooth.

Bluetooth® radio technology

This is an authorised Bluetooth® product. Further information and an end product list is provided at <https://www.bluetooth.org/tpg/listings.cfm>.

Country-specific roaming

This device has the International Roaming function (IEEE802.11d) which ensures that the device is used on the channels prescribed for the respective country.

Ad-hoc operation

The ad-hoc operation is restricted to the channels 36–48 (5150–5250 MHz). The use of this bandwidth is restricted to indoor areas; use outdoors is not permitted.

7.4 Operating frequency - FCC and IC

5 GHz Only

The use in the UNII (Unlicensed National Information Infrastructure) band 1 5150 -5250 MHz band is restricted to Indoor Use Only; any other use will make the operation of this device illegal.

Industry Canada Statement

CAUTION - AVERTISSEMENT

Devices can be damaged by inappropriate handling!

- ▶ The device for operation in the band 5150-5250 MHz is only for indoor use to reduce the potential for harmful interference to co-channel mobile satellite systems;
- ▶ High-power radars are allocated as primary users (i.e. priority users) of the bands 5250-5350 MHz and 5650-5850 MHz and that these radars could cause interference and/or damage to LE-LAN devices.

Devices can be damaged by inappropriate handling!

- ▶ *Les dispositifs fonctionnant dans la bande 5 150-5 250 MHz sont réservés uniquement pour une utilisation à l'intérieur afin de réduire les risques de brouillage préjudiciable aux systèmes de satellites mobiles utilisant les mêmes canaux;*
- ▶ *De plus, les utilisateurs devraient aussi être avisés que les utilisateurs de radars de haute puissance sont désignés utilisateurs principaux (c.-à-d., qu'ils ont la priorité) pour les bandes 5 250-5 350 MHz et 5 650-5 850 MHz et que ces radars pourraient causer du brouillage et/ou des dommages aux dispositifs LAN-EL.*

2.4 GHz only

In the USA the channels 1 to 11 are available for the 802.11 b/g operation. The range of channels is restricted by the firmware.

FCC requirements to protect against high-frequency interference



This device has been tested and satisfies the limit values for a digital device of Class B according to Part 15 of the FCC Guideline. These limit values were stipulated to guarantee appropriate protection against disturbances if the device is used in residential areas.

The device generates and uses radio frequency energy and may emit this energy. This can have a disturbing effect on other radio frequencies if the device is not connected and used in accordance with the operating instructions. A guarantee that no interference will arise for a certain installation cannot be given.

If the device causes interference to the radio or TV reception which can be recognised by switching the device on and off, the interference should be eliminated by one or several of the following measures:

- Re-alignment or moving of the receiving aerial.
- Enlarging the distance between device and receiver.
- Connecting the device to a different socket than the one to which the receiver is connected.
- Advice from the dealer or a radio/television technician.

Declaration in accordance with the FCC regulations, Part 15.21

Changes which have not been explicitly approved by the party responsible for compliance with the regulations can lead to the expiry of the operating authorization for this device.

Radio transmission devices (Part 15)

This device satisfies the requirements of Part 15 of the FCC Guidelines. The operation of the device is based on the following two conditions:

- The device may not cause any damaging interference.
- The device must absorb all receiving interference including interference which may lead to undesirable operation.

Requirements placed on the protection from high frequency interference - Canada

This digital device of Class B satisfies the Guidelines of the Canadian standard ICES-003.

Radio transmission devices

This device corresponds to RSS 210 (Industry & Science Canada). The operation of the device is based on the following two conditions:

- The device may not cause any damaging interference.
- The device must absorb all receiving interference including interference which may lead to undesirable operation.

Label symbol: "IC:" before the radio certification means that the technical data of Industry Canada have been satisfied.

Country approvals



For 2.4-GHz products: Europe covers Belgium, Bulgaria, Denmark, Germany, Estonia, Finland, France, Greece, Great Britain, Ireland, Iceland, Italy, Latvia, Liechtenstein, Lithuania, Luxembourg, Malta, Netherlands, Norway, Austria, Poland, Portugal, Romania, Sweden, Switzerland, Slovakia, Slovenia, Spain, Czech Republic, Hungary and Cyprus.

Test symbols are attached to the device which shows that the radio modules are approved for use in the following countries: USA, Canada and Europe.

Detailed information on the test symbol for other countries is provided in the EC declaration of conformity.

USA

WARNING

It is not permitted to operate the device without official approval.

- ▶ Acquire permission from the authorities first.

The channels 1 to 11 are available in the USA for 802.11 b/g operation. The range of the channels is restricted by the firmware.

Radio transmitters for RLAN devices

The operation of RLAN devices (5 GHz) is subject to the following restrictions in Canada:

- Frequency range restricted to 5.60 GHz to 5.65 GHz.

This device complies with the radio standard RSS 210 of the Industry & Science Canada.

The operation of the device is based on the following two conditions:

- The device may not cause any damaging interference
- The device must absorb all receiving interference including interference which may lead to undesirable operation.

Label symbol "IC:" before the radio certification merely means that the technical data of Industry Canada have been satisfied.

7.5 Electromagnetic fields

Reduction in high frequency energy – intended use

Only use device in compliance with the supplied instructions.

International

The device complies with the internationally recognized standards for the recommended maximum values for electromagnetic fields of radio devices. Information on "internationally" recommended maximum values for electromagnetic fields is provided in BARTEC's Declaration of Conformity at <http://www.bartec.de/>.

Europe

Portable devices have been specially tested for operation in direct body proximity. Use exclusively belt clips, holsters and similar accessories which have been tested and approved by BARTEC to ensure compliance with the EU regulations.

USA and Canada

Declaration on joint use

To comply with the FCC guidelines with respect to exposure to high frequency energy, the aerial for this transmitter should not be used in the direct vicinity of, or in an operation unit with, other transmitters/aerials with the exception of those approved in this document.



The Tablet PC should only be worn close to the body when turned off.

Portable devices have been specially tested for operation in direct body proximity. Use exclusively belt clips, holsters and similar accessories which have been tested and approved by BARTEC to ensure compliance with the FCC regulations. Belt clips, holsters and similar accessories of third manufacturers may not satisfy the FCC requirements for the recommended maximum values for electromagnetic fields and should not therefore be used.

Micro SD card

The Micro SD card slot provides a secondary, non-volatile memory. The slot is located at the side of the Tablet PC. Further information is provided in the documentation supplied with the card. Observe the manufacturer's recommendations on use.

8. Faults and troubleshooting

DANGER

Danger to life exists in potentially explosive atmospheres!

- ▶ Examine defective devices and any accessories only outside the potentially explosive atmosphere.

8.1 Troubleshooting

Problem	Solution
The battery does not charge.	<ul style="list-style-type: none"> • Check that the external power supply is connected and that the replaceable battery is inserted correctly.
No image on the display.	<ul style="list-style-type: none"> • The Tablet PC is possibly in sleep mode. Press power button to wake up the device. • The settings for the background lighting are possibly too low. Increase the settings of the background lighting.
The screen suddenly switches off and the power LED goes out.	<ul style="list-style-type: none"> • With the hot tab tool, check whether the power power LED has been deactivated. • Check whether the external power supply is connected. • In the battery mode, check whether the battery is inserted correctly. • It may be necessary to charge the battery.
The WLAN signal is very poor.	<ul style="list-style-type: none"> • With the hot tab tool, check whether the WLAN is activated. • Check whether the SSID is identical everywhere in the network. • Restart the Tablet PC. • Check whether the IP and subnet mask are set correctly.
Bluetooth connection to other devices is not working.	<ul style="list-style-type: none"> • Check that the Bluetooth is switched on in both devices. On the Tablet PC, check with the hot tab tool. • Check whether the two devices are discoverable (connectable). • Check whether the two devices are compatible with each other. • Check whether the two devices are further than 10 m apart.
The GPS application cannot find my position.	<ul style="list-style-type: none"> • With the hot tab tool, check whether the GPS is activated. • Check whether the GPS receiver and the position sensor are active in the device manager. • You may possibly be outside the GPS range. Take the Tablet PC outdoors or closer to a window. • Check whether the objects in the environment generate faults such as microwaves or mobile telephones. • Move the Tablet PC away from any such objects.

Problem	Solution
The GPS is very inaccurate.	<ul style="list-style-type: none"> When using the GPS we recommend that the 1D/2D imager be deactivated to avoid faults.
There is no sound from the loudspeaker.	<ul style="list-style-type: none"> Check the volume setting with the buttons for high and low. When using external audio devices check whether the cable has been connected correctly.
The display of the Tablet PC cannot be displayed on an external monitor.	<ul style="list-style-type: none"> Check whether the VGA driver is installed. Check that the output settings are correct.
No laser appears with the 1D/2D imager and it does not appear to work.	<ul style="list-style-type: none"> With the hot tab tool, check that the 1D/2D imager is active. In the system settings, check that the 1D/2D imager is set to COM15 so that the hot tab tool has access.
The laser appears with the 1D/2D imager but no data are shown.	<ul style="list-style-type: none"> Reduce the distances between the 1D/2D imager. In the 1D/2D imager configuration, check whether the barcode type use is active.
The RFID reader does not work.	<ul style="list-style-type: none"> In the system settings, check whether the RFID reader is set to COM3 so that the hot tab tool has access.

8.2 Resetting the Tablet PC using the recovery function

ATTENTION

Recovery can cause data loss!!

- ▶ Data which are stored on the Tablet PC and are not subject to data backup will be deleted and loss irretrievably.
- ▶ You should therefore first conduct a data backup in order to prevent data loss.

Every Tablet PC is supplied with a recovery partition and permits a 1-key recovery procedure.

Work steps:

Conduct the recovery function only outside of potentially explosive atmospheres. Only start and conduct the recovery function if the Tablet PC is connected to an external power supply.

1. Switch on the Tablet PC using the Power button.
2. When the boot screen appears, there are two ways of reaching the recovery menu.
 - Press Fn1 button on the front side of the Tablet PC.
 - When using an external USB keyboard, press the F6 button
3. The following screen of the recovery function appears.



4. Select the Recovery option and continue.
5. A warning appears that all data will be lost. Ensure that all data are backed up. Where necessary, abort with No and conduct a data backup first. Only select Yes if you are certain that all data are secure.



6. Wait until the recovery process has been completed. A command window appears during the recovery and shows the progress of the recovery. The Tablet PC restarts after recovery has been completed.



7. Check whether the Tablet PC is working and restore your data and application programs.

9. Service, inspection and repair

Service, inspection, and repair of Tablet PCs may be conducted exclusively by trained and qualified staff! The staff who is familiar with the service, inspection, and repair of the Tablet PCs, has been informed about the risks and has the qualifications necessary for this work.

9.1 Service intervals

⚠ DANGER

Prevent electrostatic charging in potentially explosive atmospheres.
Danger to life in explosive atmosphere!
▶ Do not dry wipe or dry clean devices.

The mechanical state of the device should be regularly checked. The service intervals will depend on the ambient conditions. We recommend that a service be conducted at least once a year. Regular servicing is not necessary if the device is correctly operated in accordance with the installation instructions and under appropriate consideration of the ambient conditions.

9.2 Inspection

According to EN/IEC 60079-17 and EN/IEC 60079-19, the owner/operator of electrical plants in potentially explosive atmospheres is obliged to have these plants checked by an electrician to ensure that they are in a correct condition.

9.3 Service and repair work

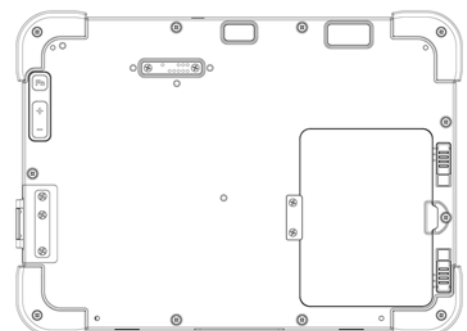
In addition to the standards EN/IEC 60079-17 and EN/IEC 60079-19 also apply to the servicing and repair as well as the testing of accompanying operating devices.

Work connected with assembly/dismantling, operation and servicing may only be conducted by trained specialists. All statutory requirements and other binding guidelines on occupational health and safety, accident prevention and environmental protection must be observed.

9.3.1 Information on sending in for repairs (new picture of the device)

The following information is required for the repair:

- Serial number of the device, see label for series number (1)
- Model number or product name, see type plate (2)
- Software type and version number from the system information in system control



Please read through the handling guidelines for the RMA process before you send in a defective device for repair. Then complete the RMA form (Return Merchandise Authorization), sign it and send it to our "Returns Centre".

E-Mail: services@bartec.de

Fax: +49 7931 597-119

We cannot guarantee the processing within the contractually agreed period for any returns received by us without RMA number.

The handling guidelines and the RMA form are available for download from our website:

<http://www.bartec.de>

> Quality and Culture

> RMA Form

Haben Sie Fragen? Schreiben Sie uns eine E-Mail oder rufen Sie uns an.

E-Mail: services@bartec.de

Phone: +49 7931 597-444

10. Disposal



As professional electrical devices, our devices are intended exclusively for commercial use, so-called B2B devices, in accordance with the WEEE Directive.

The WEEE Directive provides the framework for the treatment of old electrical equipment throughout Europe. This means that you may not dispose of these devices in usual household waste but must dispose of them separately in an environmentally compatible manner and can also bring them to the collection points of public disposal companies.

All products purchased from us can be returned to us by our customers for disposal. We will ensure disposal in accordance with the applicable laws.

The sender shall bear the costs of postage and packaging.

The Tablet PCs contain metallic and plastic parts and electronic components.

11. Forwarding and packaging information

ATTENTION

Sensitive devices! Damage may be caused by incorrect packaging!

► Use original packaging for transport.

12. Accessories

Ex-certified	
Description	Order number
Replacement battery	
Hot-swappable external battery (7.4 V / 4,200 mAh) ATEX/IECEX /UL	17-A1Z0-0006
Further accessories	
Spare stylus 1 piece per pack with rubber strap suitable for capacitive touch screen with anti-scratch rubber tip	03-9849-0149
Screen protector ATEX/IECEX certified for gas groups IIA, IIB and IIC – 1 piece per pack – 10.1" widescreen	17-A1Z0-0011



The following accessories are only suitable for use outside of a potentially explosive atmosphere.

General (only for use in safe environments)	
Description	Order number
ATP industrial-type micro SD cards	
– with 8 GB	17-A1Z0-0008
– with 16 GB	17-A1Z0-0009
– with 32 GB	17-A1Z0-0010
USB stick	
– with 8 GB	17-A1Z0-0007

13. Additional information

13.1 Links

<http://www.bartec.de.com>

BARTEC website

<http://www.bartec.de/automation-download/>

BARTEC download page

<http://www.bartecmobility.com>

BARTEC Agile System homepage

14. Declaration of Conformity

Erklärung der Konformität
Declaration of Conformity
Attestation de conformité

Nº B1-A234-7C0001

BARTEC

BARTEC GmbH
Max-Eyth-Straße 16
97980 Bad Mergentheim
Germany



Wir

We

Nous

BARTEC GmbH,

erklären in alleiniger Verantwortung, dass das Produkt

declare under our sole responsibility that the product

attestons sous notre seule responsabilité que le produit

**Agile X
M101B^{ex}-NI**

**Agile X
M101B^{ex}-NI**

**Agile X
M101B^{ex}-NI**

Typenbezeichnung : B7-A233-.../.....
B7-A234-.../.....

auf das sich diese Erklärung bezieht den Anforderungen der folgenden Richtlinien (RL) entspricht

to which this declaration relates is in accordance with the provision of the following directives (D)

se référant à cette attestation correspond aux dispositions des directives (D) suivantes

**ATEX-Richtlinie
94/9/EG**

**ATEX-Directive
94/9/EC**

**ATEX-Directive
94/9/CE**

**EMV-Richtlinie
2004/108/EG**

**EMC-Directive
2004/108/EC**

**CEM-Directive
2004/108/CE.**

und mit folgenden Normen oder normativen Dokumenten, soweit zutreffend, übereinstimmt

and is in conformity with the following standards or other normative documents, if applicable

et est conforme aux normes ou documents normatifs ci-dessous, le cas échéant

EN 60079-0:2012
EN 60079-11 :2012
EN 62209-2:2010
EN 55024 : 2010

EN 300 328 V1.8.1:2012
EN 300 440-1 V1.6.1:2010
EN 300 440-2 V1.4.1:2010
EN 50566:2013

EN 55022 : 2010
EN 61000-3-2 : 2006
+A1 : 2009 + A2 : 2009
EN 61000-3-3 : 2008

Kennzeichnung

Marking

Marquage

Ⓔ II 3G Ex ic IIC T4 Gc

B1-A234-7C0001 X

If the sign "X" is placed after the declaration of conformity number, it indicates that the equipment is subject to special conditions for safe use specified in the user manual.

Erklärung der Konformität
Declaration of Conformity
Attestation de conformité

Nº B1-A234-7C0001

BARTEC

BARTEC GmbH
Max-Eyth-Straße 16
97980 Bad Mergentheim
Germany

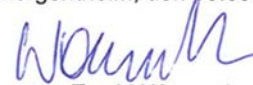
Verfahren der
internen Fertigungs-
kontrolle

Procedure of
internal control of
Production

Procédure de
contrôle interne de
fabrication

CE

Bad Mergentheim, den 15.09.2014



ppa. Ewald Warmuth
Geschäftsleitung / General Manager

03-0383-0289