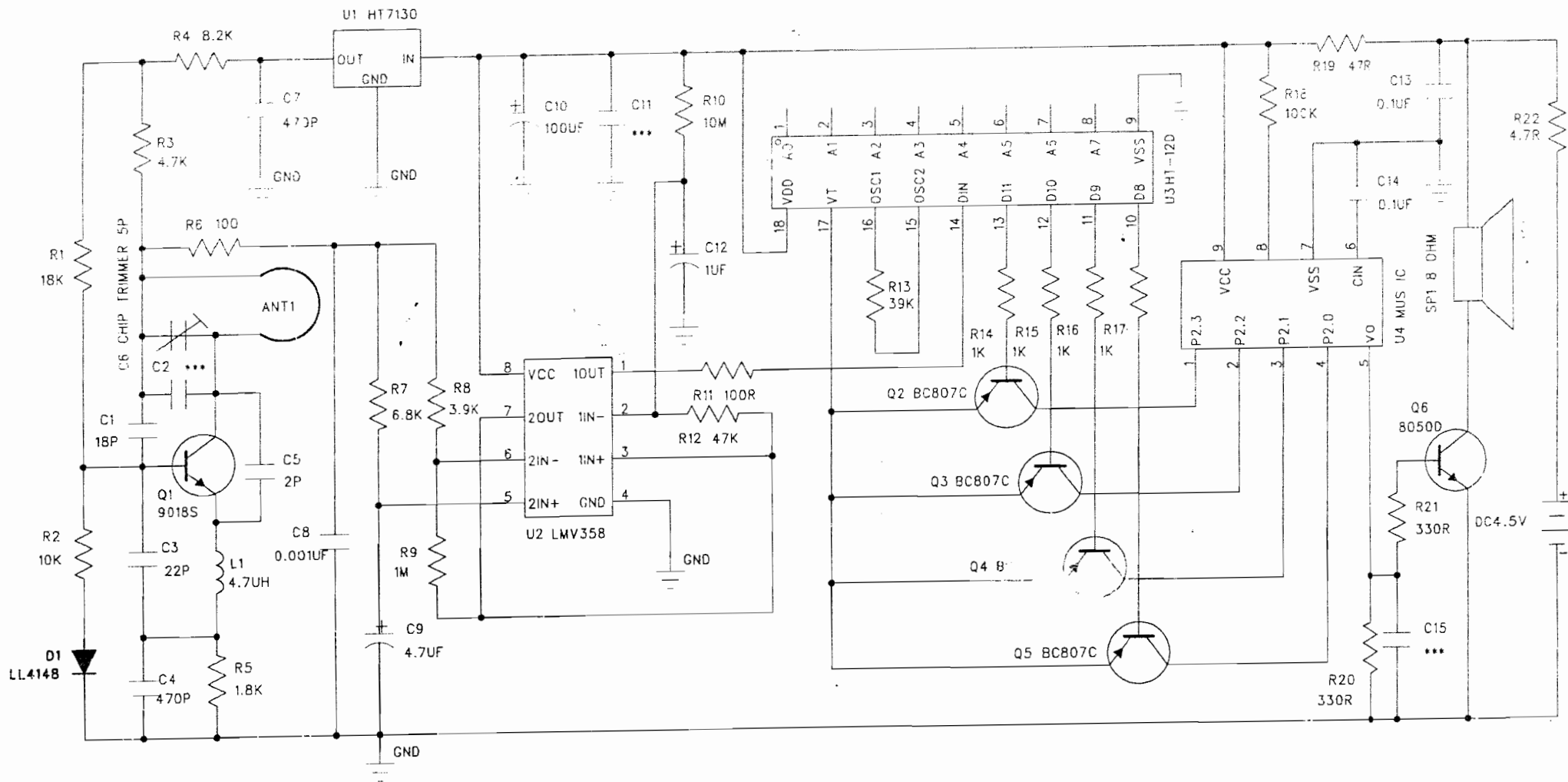


# **Schematic Diagram**

**433-434 MHz**



G/A-186-2005 申请资料

LOYAL		LOYAL TECHNOLOGY CO., LTD	
MODEL: 无线地毯 RX	TYPE:	REV: A3	
DRAWN: 邱坤明	DATE: 13-05-2005	CHECKED: [Signature]	DATE: 16/5/05
APPROVAL:	DATE:	DESIGN:	DATE:

LY-FM-RD-34/A0