



Age: 8+

Instruction Manual

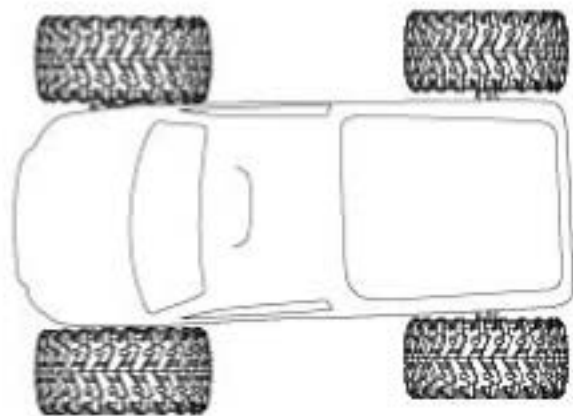


This manual is suitable for.: 9120

Main parameter

Description:	Remote Control Car
Scale	1:14
Material:	ABS、PVC、Hardware、 Electronic component
Function:	Forward/Backward/Turn-left/Turn-right/rock climbing/root climbing/ step climbing
Age:	8+
Battery for car :	6*AA
Battery for controller :	2*AA
Speed:	10km/h
Size of car:	31CMX22CMX20.5CM
Packing size	40.5CMX24CMX22CM

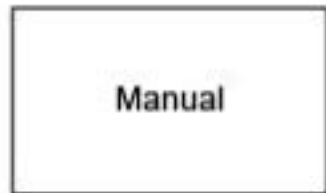
Content:



Car x 1



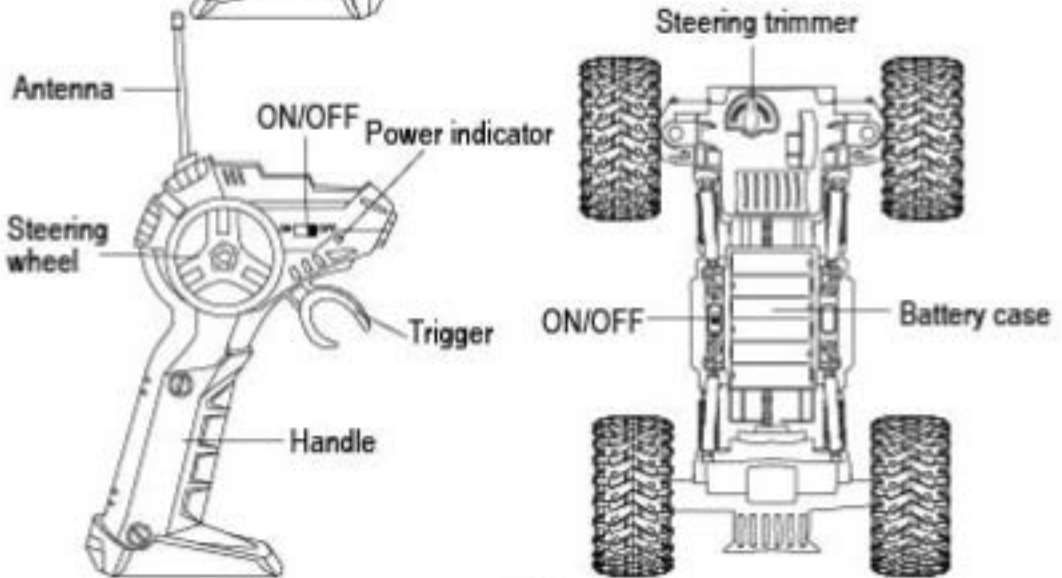
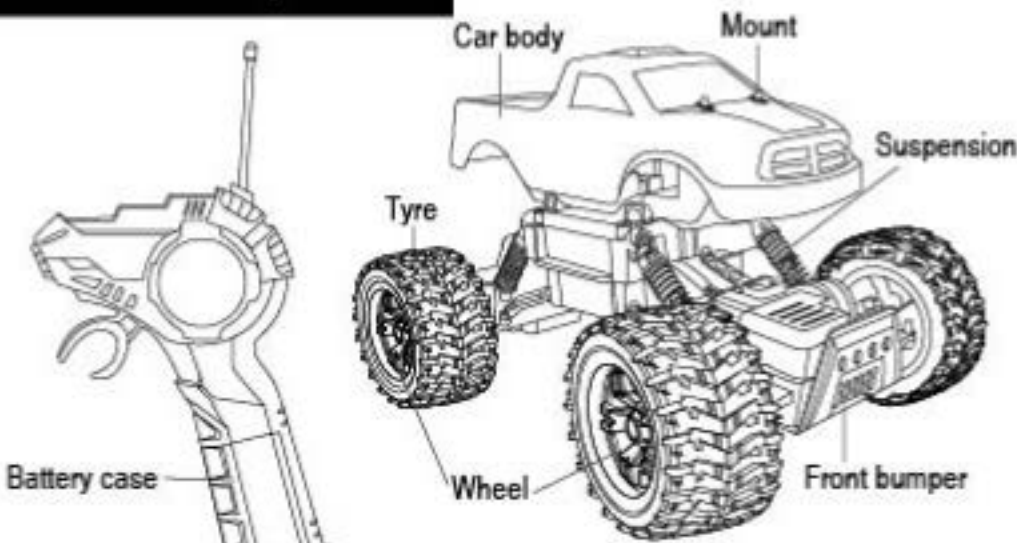
Controller x1



Manual

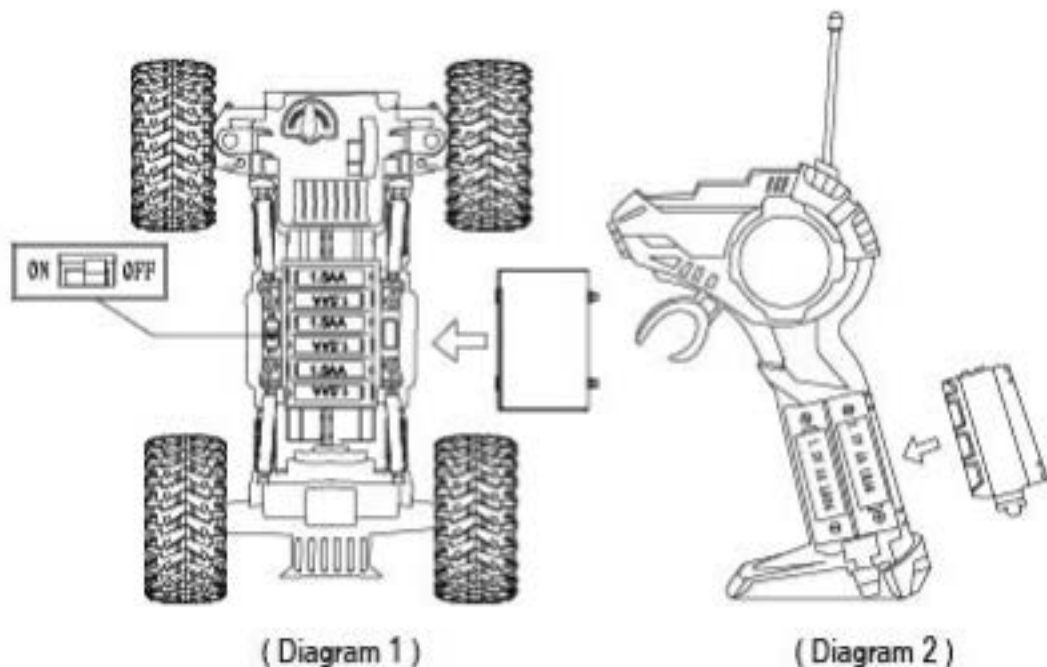
Manual x 1

Name of components



Battery loading

1. Battery loading inside the car : Open the battery cover, and then load 6XAA batteries into the battery case accordingly by following the sign of "+" "-", and then close the battery cover and make sure safe and sealed. (As diagram 1)
2. Battery loading inside the controller: Open the battery cover, and then load 2XAA batteries into the battery case accordingly by following the sign of "+" "-", and then close the battery cover and make sure safe and sealed. (As diagram 2)

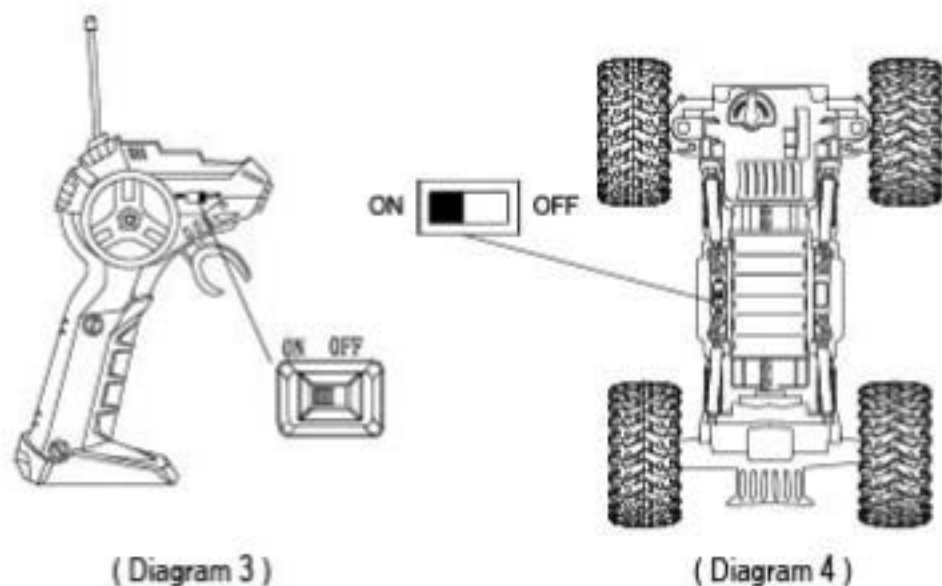


Operation

Please kindly confirm if the batteries are well loaded into the car and the controller before playing.

Step for switching on

1. Push the ON/OFF of the controller to "ON" position, the power indicator of the controller will be "ON" and the controller will enter into the normal "ON" state. (As diagram 3)
2. Push the ON/OFF of the car to "ON" position, the car will enter into normal "ON" state. (As diagram 4)



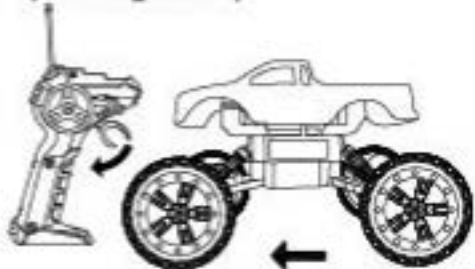
Forward & Backward:

1. Pull the trigger of the controller and the car will run forward.

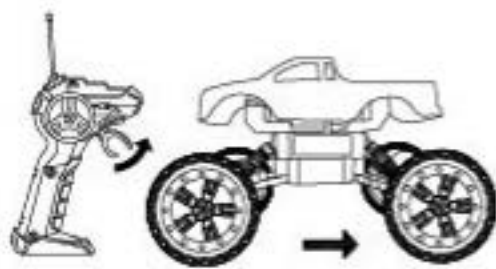
(As diagram 5)

2. Push the trigger of the controller and the car will run backward.

(As diagram 6)



(Diagram 5)

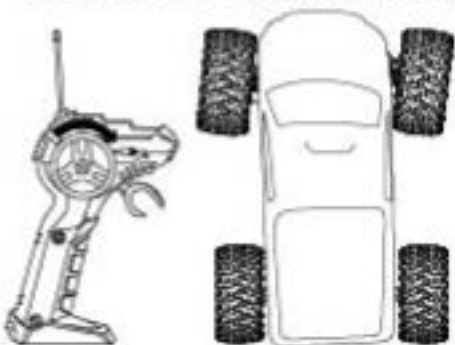


(Diagram 6)

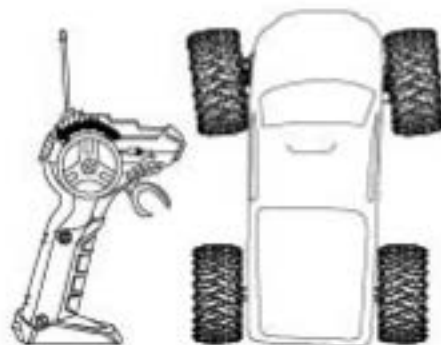
Turn-right & Turn-left:

1. Rotate the steering wheel of the controller to the right, the car will be steering to the right. (As diagram 7)

2. Rotate the steering wheel of the controller to the left, the car will be steering to the left. (As diagram 8)



(Diagram 7)



(Diagram 8)

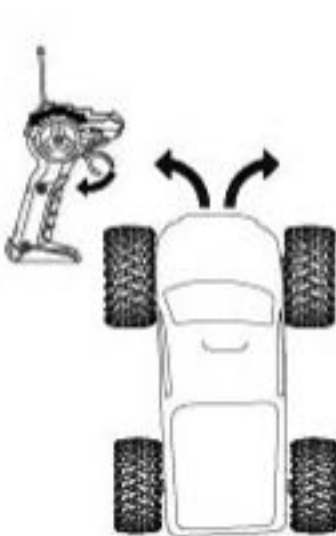
Running operation:

1. While rotating the steering wheel of the controller to the right or to the left, pull the trigger backward, the car will be steering to the right or to the left and run forward. (As diagram 9)

2. While rotating the steering wheel of the controller to the right or to the left, push the trigger forward, the car will be steering to the right or to the left and run backward. (As diagram 10)

Direction adjustment:

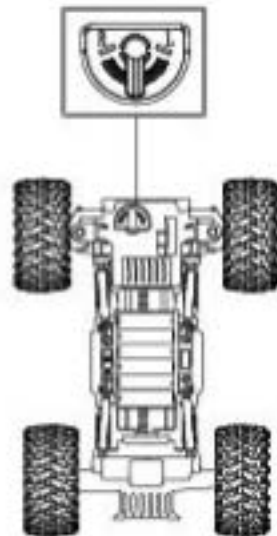
If the car can not run in a straight line, please adjust the steering trimmer for "Right/Left" at the bottom of the car to an appropriate position. (As diagram 11)



(Diagram 9)



(Diagram 10)



(Diagram 11)

Stop operation:

1. Release the trigger and steering wheel then the car will stop.
2. Pull the ON/OFF of the controller to "OFF" position, the power indicator of the controller will be "OFF" and the controller will enter into OFF state.
3. Push the ON/OFF of the car to "OFF" position, the car will enter into "OFF" state.

Operating precautions:

1. When playing this car indoor, please pay more attention not to damage the furniture or glass.
2. Please play this car in spacious ground or outdoor. Please DO NOT play this product on the road or in the crowd. Nor control this car to run toward people.
3. In the case of thundering weather, please stop playing immediately and remove the batteries in the controller and the car so as to keep safe.
4. Please DO NOT fold the antenna so as not to snap the antenna as the sharp part or sharp object may cause damaged to human body.
5. Please DO NOT pull the wire on the car body so as not to snap the wire and cause malfunction.
6. Please DO NOT close your hand to the rotating wheel so as to avoid being wounded. Also avoid the hair or clothes being curled inside, which may cause injury to human body.

7. Please DO NOT disassemble or re-equip this car at will.

8. When there is insufficient power with this car, the car may appear slow-down obviously. This time please change the battery of the car in time.
9. When there is insufficient power with the battery of the controller, the car may be out of control. This time please replace the batteries of the controller.
10. In case the car, controller, battery get wet, please wipe it off as quick as possible so as not to cause damaged.
11. Please DO NOT litter around the car or collide it with other objects. When placing the car, please do keep it far away from the fire source or high-temperature area.

Precaution on the battery

1. Please remove or load the batteries in a correct way.
2. Please DO NOT mix the batteries of different types. Old batteries ARE NOT TO be mixed with the old ones.
3. Non-chargeable battery IS NOT TO be recharged.
4. Rechargeable battery can only be charged under the guidance of the adult.
5. Please remove the battery from the car before charging.
6. Please make sure load the batteries as per the correct "+" "-" polarity.
7. Exhausted batteries are to be removed from the controller or car.

8. Positive end and Negative end of the battery are NOT to be short-circuited.
9. Batteries are to be placed far away from the fire source or place with high-temperature.
10. Please unload the batteries when do not use the controller or the car for a long time.

Attention

Warning: Changes or modifications to this unit not expressly approved by the party responsible for compliance could void the user's authority to operate the equipment.

NOTE: This equipment has been tested and found to comply with the limits for a Class B digital device, pursuant to Part 15 of the FCC Rules. These limits are designed to provide reasonable protection against harmful interference in a residential installation. This equipment generates, uses and can radiate radio frequency energy and, if not installed and used in accordance with the instructions, may cause harmful interference to radio communications.

However, there is no guarantee that interference will not occur in a particular installation. If this equipment does cause harmful interference to radio or television reception, which can be determined by turning the equipment off and on, the user is encouraged to try to correct the interference by one or more of the following measures:

- Reorient or relocate the receiving antenna.
- Increase the separation between the equipment and receiver.
- Connect the equipment into an outlet on a circuit different from that to which the receiver is connected.
- Consult the dealer or an experienced radio/TV technician for help.

This device complies with Part 15 of the FCC Rules. Operation is subject to the following two conditions:

- (1) this device may not cause harmful interference, and
- (2) this device must accept any interference received, including interference that may cause undesired operation.

Hereby, **NEW SUNNY TOYS INDUSTRIAL CO., LTD**, declares that this R/C CAR is in compliance with the essential requirements and other relevant provisions of Directive 1999/5/EC.

<p>⚠ WARNING: CHOKING HAZARD-Small parts. Not for children under 3 years.</p>	<p>تحذير: مخاطر الاختناق لأجزاء صغيرة غير مناسبة للأطفال دون سن الثلاثة Warning: Choking hazard, small parts Not suitable for children under (3) years old</p>	<p>NOT SUITABLE FOR CHILDREN UNDER 3 YEARS غير مناسب للأطفال دون سن 3 سنوات تحذير: مخاطر الاختناق لأجزاء صغيرة غير مناسبة للأطفال دون سن الثلاثة COUNTRY OF ORIGIN: CHINA</p>
--	---	---