


NOTES: UNLESS OTHERWISE SPECIFIED:
 1. RESISTANCE VALUES ARE IN OHMS.


HIGHEST REFERENCE DESIGNATION
C161 D1 EMC1 J5 L8 O3 R113 T2 TP56 U17
REFERENCE DESIGNATIONS NOT USED
CB C10 C12 C31 C44 C106 C121 C126-132 C137-139 C143-144 C150-151 C156 C160 R7-9 R30-32 R34 R49 R54-55 R59 R64 R69 R71 R89 R100-102 R105-110 R112 T1 TP18 TP54 U6-7 U12-15
REFERENCE DESIGNATIONS NOT POPULATED
 = DO NOT POPULATE
C15 C18 C21 C24 C26 C85 C89 C154-155 J1 J5 L3-5 R6 R15-17 R26 R63 R68 R73-74 R79-81 R83 R85 R87-88 R94-97

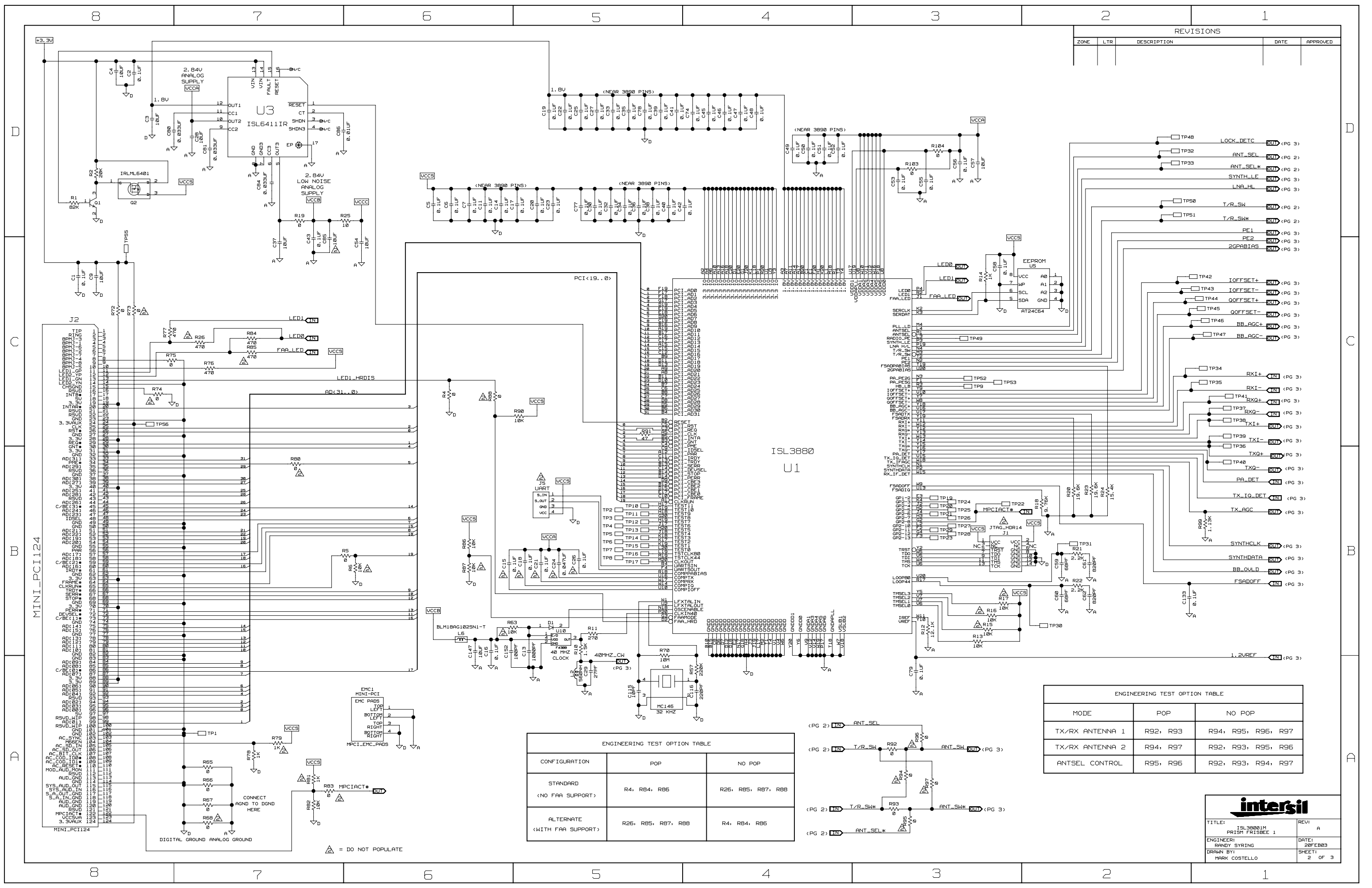
REVISIONS				
ZONE	LTR	DESCRIPTION	DATE	APPR.

PRELIMINARY DESIGN

NOTE: THIS SCHEMATIC IS A REFERENCE DESIGN, INTERSIL RESERVES THE RIGHT TO MAKE CHANGES TO THE SCHEMATIC AT ANY TIME WITHOUT NOTICE. INTERSIL ACCEPTS NO LIABILITY OR RESPONSIBILITY WITH THE SCHEMATIC OR ANY DATA HEREIN.

THIS IS PROPRIETARY AND CONFIDENTIAL INFORMATION OF INTERSIL CORPORATION

	
TITLE: ISL38001M PRISM FRISBEE 1	REV: A
ENGINEER: RANDY SYRING	DATE: 20FEB03
DRAWN BY: MARK COSTELLO	SHEET: 1 OF 3



REVISIONS				
ZONE	LTR	DESCRIPTION	DATE	APPROVED

CONFIGURATION	POP	NO POP
STANDARD (NO FAA SUPPORT)	R4, R84, R85	R26, R85, R87, R88
ALTERNATE (WITH FAA SUPPORT)	R26, R85, R87, R88	R4, R84, R85

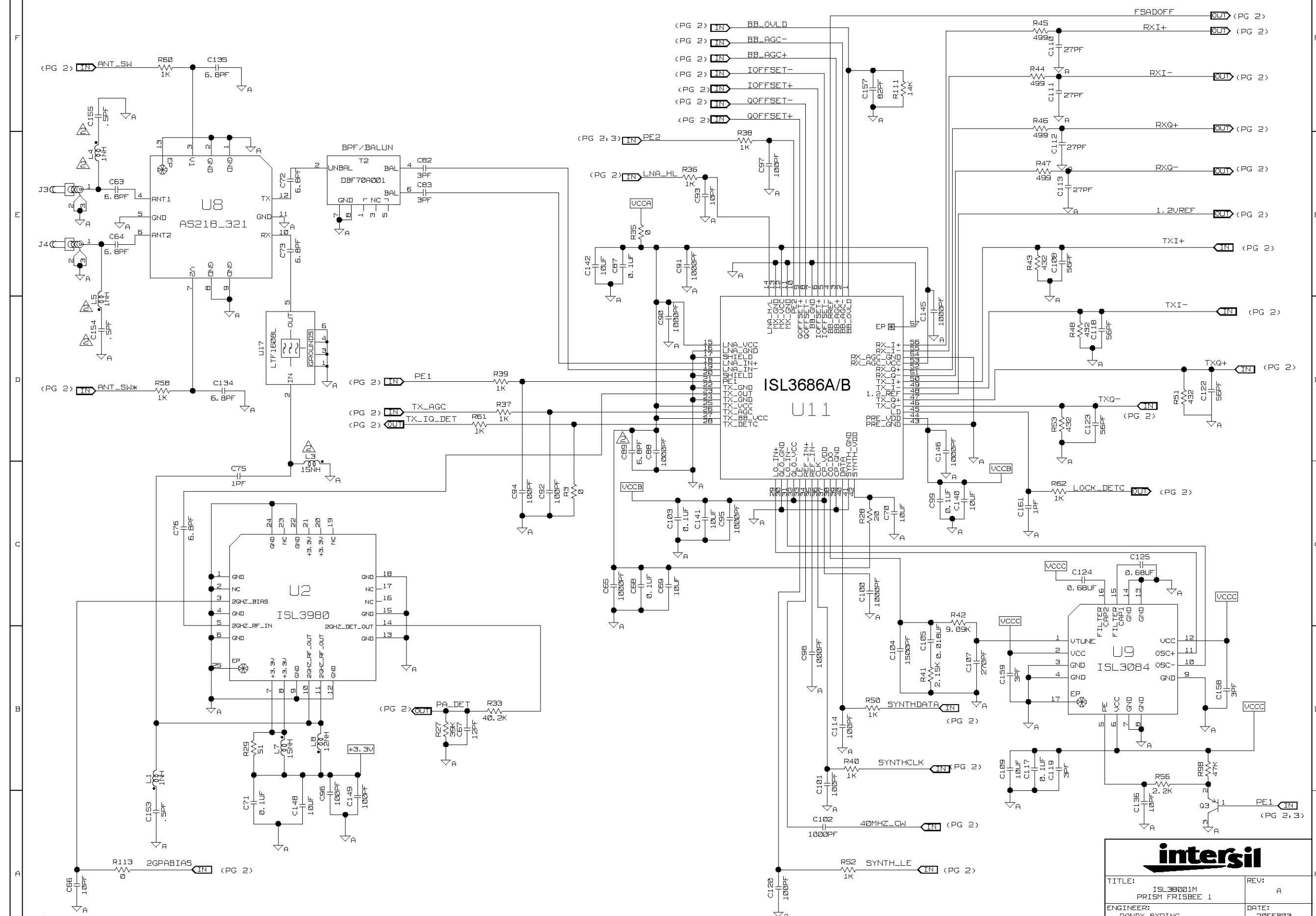
MODE	POP	NO POP
TX/RX ANTENNA 1	R92, R93	R94, R95, R96, R97
TX/RX ANTENNA 2	R94, R97	R92, R93, R95, R96
ANTSEL CONTROL	R95, R96	R92, R93, R94, R97

intersil

TITLE: ISL3800M PRISM FR15BEE 1 REV: A
 ENGINEER: RANDY SYRING DATE: 20FEB03
 DRAWN BY: MARK COSTELLO SHEET: 2 OF 3

△ = DO NOT POPULATE

REVISIONS				
ZONE	LTR	DESCRIPTION	DATE	APPR.



△ = DO NOT POPULATE

intersil

TITLE: ISL38001M PRISM FRISBEE 1	REV: A
ENGINEER: RANDY SYRING	DATE: 20FEB03
DRAWN BY: MARK COSTELLO	SHEET: 3 OF 3