



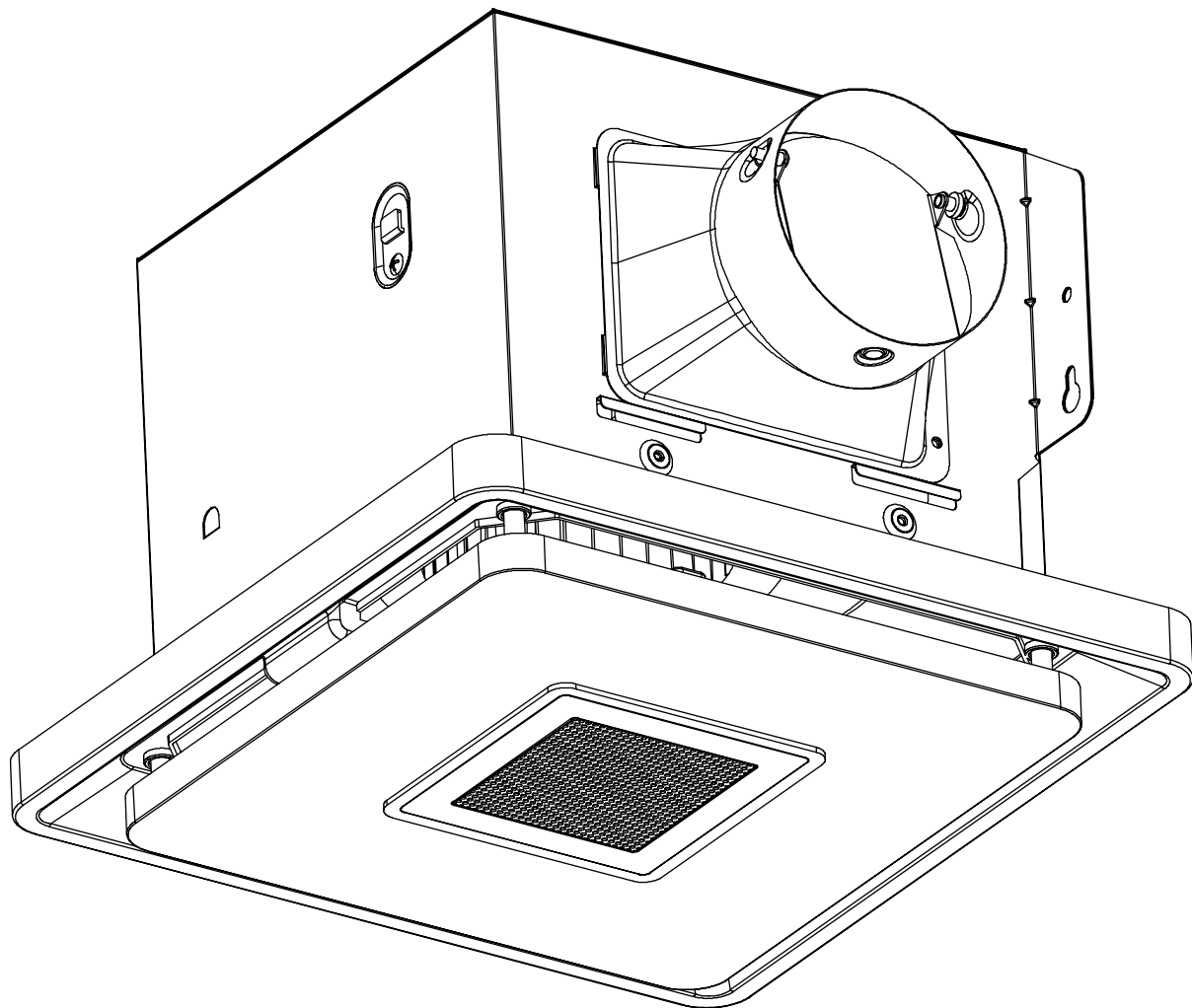
Home NetWerks®

SIMPLE SOLUTIONS FOR A SMARTER HOME

# BATH FAN WITH BLUETOOTH® SPEAKER, LED LIGHT, AND NIGHT LIGHT

MODEL 7130-13-BT

Español p. 14



**Questions, problems, missing parts?** Before returning to the store, call our customer service department at 1-877-319-3757, 7:30 a.m. - 4:30 p.m., CST, Monday - Friday.

**READ AND SAVE THESE INSTRUCTIONS**

U.S. Pat. No. 9,398,357

The BLUETOOTH® word mark and logos are registered trademarks owned by BLUETOOTH SIG, Inc. and any use of the said mark by Homewerks Worldwide is under license. Other trademark and trade names are those of their respective owners.

HomewerksWW.com

06-17-2019

## TABLE OF CONTENTS

---

Product Specifications .....	2
FCC Compliance .....	2
Package Contents .....	3
Hardware Included .....	3
Safety Information .....	4
Preparation .....	4
New Construction Installation Instructions.....	6
Existing Construction Installation Instructions .....	7
BLUETOOTH® Speaker Fan Grille Installation .....	9
Pairing BLUETOOTH® Device to Speaker .....	10
BLUETOOTH® Speaker and Fan Operation.....	10
Care and Cleaning.....	11
Troubleshooting .....	12
Warranty .....	13

## PRODUCT SPECIFICATIONS

---

SPECIFICATIONS
Airflow: 110 CFM
120V, 60Hz
Duct diameter: 4 in.
Sound output: 1.5 sones
Motor power consumption: 30W
Exhaust fan speed: 1050 RPM

SPECIFICATIONS
LED light power consumption: 15W
LED light brightness: 800 lumens
LED light color (CCT): 4000K Cool White
Night light color: Blue and 2200K Warm White
Weight: 9.5 lbs.

## FCC COMPLIANCE

---

**NOTICE:** This equipment has been tested and found to comply with the limits for a Class B digital device, pursuant to part 15 of the FCC Rules. These limits are designed to provide reasonable protection against harmful interference in a residential installation.

This equipment generates, uses, and can radiate radio frequency energy and, if not installed and used in accordance with the instructions, may cause harmful interference to radio communications. However, there is no guarantee that interference will not occur in a particular installation.

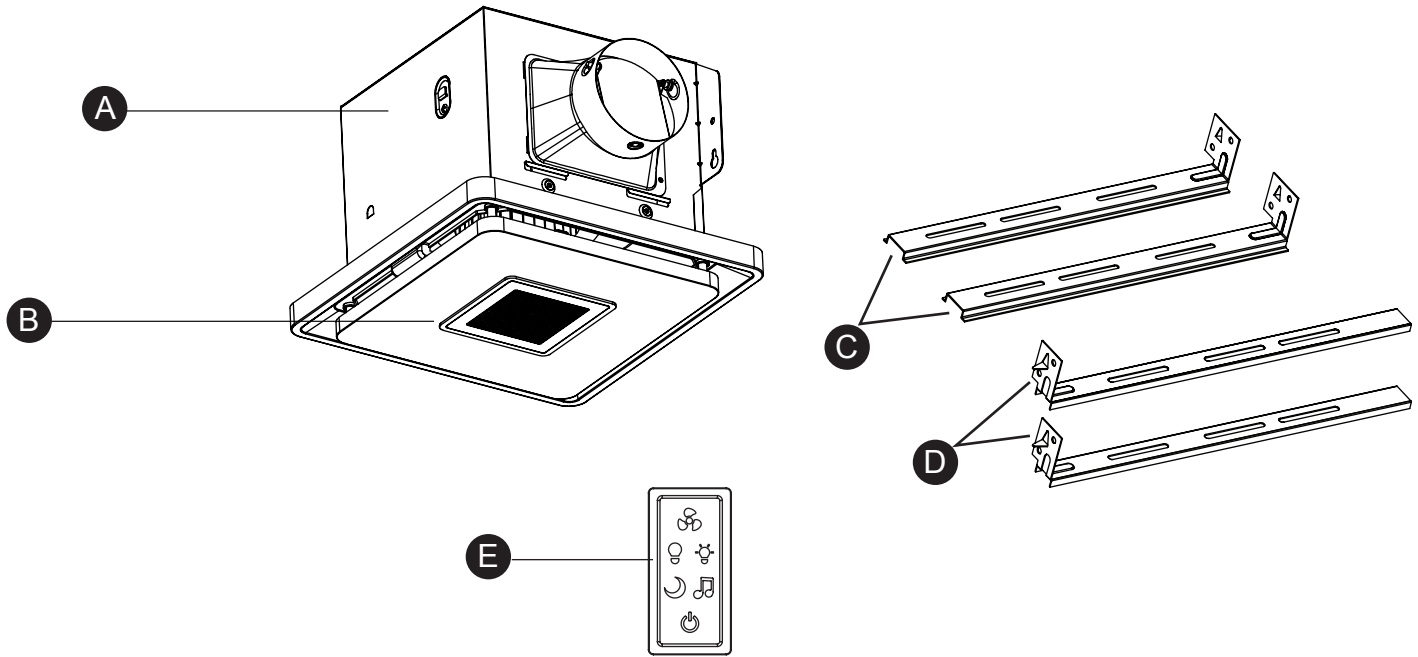
If this equipment does cause harmful interference to radio or television reception, which can be determined by turning the equipment off and on, the user is encouraged to try to correct the interference by one or more of the following measures:

- Reorient or relocate the receiving antenna.
- Increase the separation between the equipment and receiver.
- Connect the equipment into an outlet on a circuit different from that to which the receiver is connected.
- Consult the dealer or an experienced radio/TV technician for help.

Changes or modifications made to this equipment not expressly approved by the party responsible for compliance could void the user's authority to operate the equipment.

FCC ID:SYJ7130-13-BT

**PACKAGE CONTENTS**

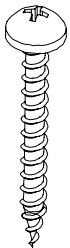


PART	DESCRIPTION	QTY
A	Fan Housing	1
B	Grille with BLUETOOTH® Speaker and Light	1
C	Suspension Bracket	2

PART	DESCRIPTION	QTY
D	Suspension Bracket	2
E	LED Wall Switch	1

**HARDWARE INCLUDED (not actual size)**

AA



Wood Screw  
M4 x 30  
Qty. 8

BB



Machine Screw  
M4 x 12  
Qty. 4

## SAFETY INFORMATION

---

Please read and understand this entire manual before attempting to assemble, operate or install the product.

- Always disconnect the power supply prior to servicing the fan, motor or junction box.
- Follow all local building, safety and electrical codes as well as NEC (National Electrical Code) and OSHA (Occupational Safety and Health Act).
- Electric Service supply must be 120 volts, 60 hertz.
- This product must properly connect to the grounding conductor of the supply circuit.
- Do not bend or kink the power wires.
- Do not use this fan with any solid state control device, such as a remote control, dimmer switch, or certain timers. Mechanical timers are not solid state devices.
- Do not install in a ceiling with insulation greater than R42.
- Duct work should be installed in a straight line with minimal bends.
- Duct work size must be the same size as the discharge and should not be reduced. Reducing the duct size may increase fan noise.

### CAUTION

- **For general ventilating use only. Do not use to exhaust hazardous or explosive materials and vapors.**
- **Not for use in cooking areas.**
- **To reduce the risk of injury to persons, install the fan at least 7 feet (2.1m) above the floor.**

### **WARNING: To reduce the risk of fire, electric shock, or injury to persons, observe the following:**

1. Use this unit in the manner intended by the manufacturer. If you have any questions, please call customer service.
2. Before servicing or cleaning unit, switch power off at service panel and lock the service disconnecting means to prevent power from being switched on accidentally. When the service disconnecting means cannot be locked, securely fasten a prominent warning device, such as a tag, to the service panel.
3. Installation work and electrical wiring must be done by a qualified person(s) in accordance with all applicable codes and standards, including fire-rated construction.
4. Sufficient air is needed for proper combustion and exhausting of gases through the flue (chimney) of fuel burning equipment to prevent backdrafting. Follow the heating equipment manufacturer's guideline and safety standards such as those published by the National Fire Protection Association (NFPA), and the American Society for Heating, Refrigeration and Air Conditioning Engineers (ASHRAE) and local code authorities.
5. When cutting or drilling into the wall or ceiling, do not damage electrical wiring and other hidden utilities.
6. Ducted fans must always be vented to the outdoors.
7. If this unit is to be installed over a tub or shower, it must be marked as appropriate for the application and be connected to a GFCI (Ground Fault Circuit Interrupter) – protected branch circuit.
8. This ventilation fan is intended to be installed at least 3.28 ft. (1 m) from the showerhead when installing over a bathtub or shower. Installation within a shower stall is not recommended for this unit, unless the 3.28 ft. (1 m) distance can be met.

## PREPARATION

---

Before beginning assembly of product, make sure all parts are present. Compare parts with package contents list and hardware contents. If any part is missing or damaged, do not attempt to assemble, install or operate the product. Contact customer service for replacement parts at 1-877-319-3757, 7:30 a.m. - 4:30 p.m., CST, Monday - Friday.

Tools Required for Assembly (not included): Hammer, Flathead Screwdriver, Wire Connectors, Nails, Duct Tape, Phillips Head Screwdriver, and Utility Knife or Drywall Saw.

Helpful Tools (not included): Electric Drill, Drill Bits

**WARNING: Warning: RISK OF ELECTRIC SHOCK. Ensure the electricity to the wires you are working on is shut off. Either remove the fuse or turn off the circuit breaker before removing the existing bath fan or installing the new one**

Carefully remove unit from carton.

## PREPARATION

**Before removing your current ventilation unit, verify your switch box on the wall has the required supply wires necessary for this installation. These supply wires are power/black and neutral/white (refer to right side of wiring diagram below) at the switch. If you do not see both of these wires, consult a licensed electrician.**

Check area above installation location to be sure that wiring can run to the planned location and that duct work can be run and the area is sufficient for proper ventilation.

Inspect duct work and wiring before proceeding with installation.

Before installation, provide inspection and future maintenance access at a location that will not interfere with installation work.

You may need the help of a second person to install this fan; one person on the attic side and one on the room side.

Note: Installation may vary depending on how the previous bath fan was installed. Supplies necessary for the installation of your bath fan are not all included; however, most are available at your local home improvement or hardware store.

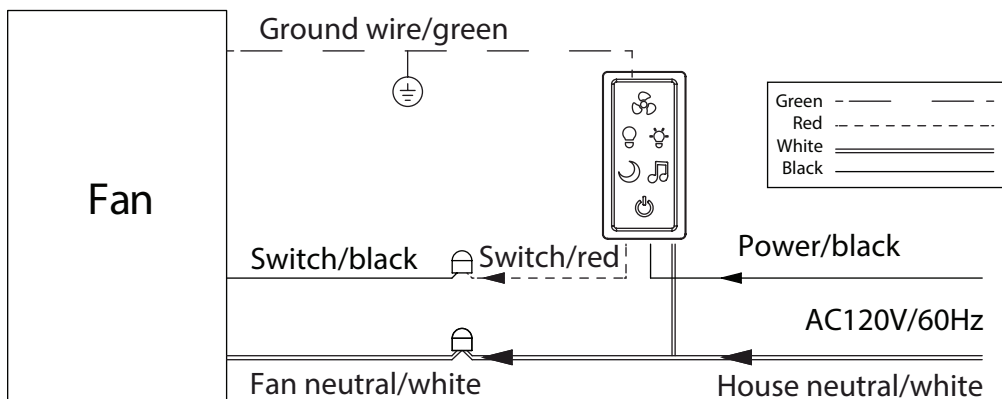
## DIMENSIONS REQUIREMENTS

Ceiling Opening (L)	Ceiling Opening (W)	Ceiling Opening (H)
9-1/4 in.	9-1/4 in.	8-1/4 in.

Housing Dimension (L)	Housing Dimension (W)	Housing Dimension (H)
9 in.	9 in.	7-13/16 in.

## WIRING DIAGRAM

All wiring must be connected for full functionality. Do not use metal wall plate with switch.



### ATTENTION:

The switch included with this ventilation fan requires a neutral wire connection. If a neutral line is not present, one must be run by a qualified electrician.

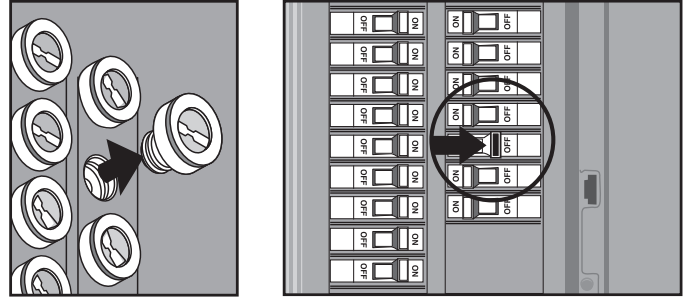
**NOTE:** This switch is intended to only operate independently with this bath fan. Connections to other electrical fixtures are prohibited and could cause electrical issues.

If you require assistance, please call 1-877-319-3757 before attempting switch installation.

# NEW CONSTRUCTION INSTALLATION INSTRUCTIONS

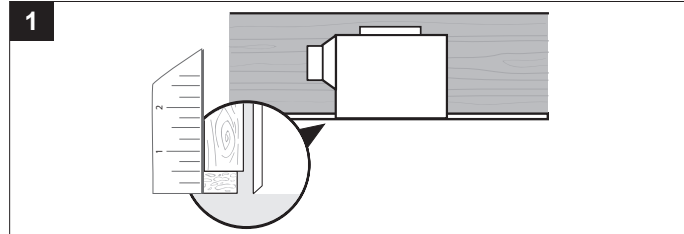
## BEFORE INSTALLATION

**WARNING: RISK OF ELECTRIC SHOCK.** Ensure the electricity to the wires you are working on is shut off. Either remove the fuse or turn off the circuit breaker before removing the existing bath fan or installing the new one.

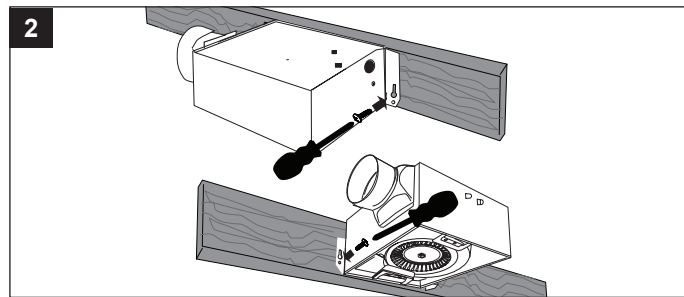


### 1. Installation Without Suspension Brackets

Place the fan body next to a ceiling joist. The fan housing should be level and perpendicular to the joist. Allow for thickness of ceiling board used in your application. **DO NOT** flush mount to joist. Bottom of fan should be flush with ceiling board.



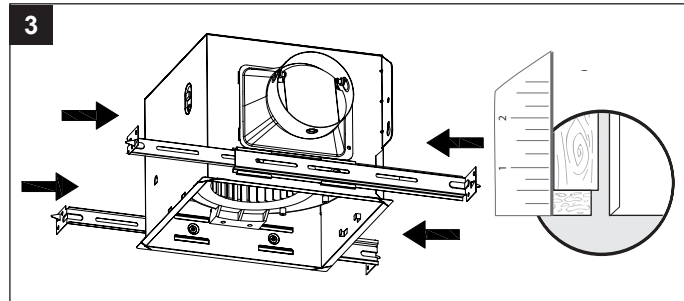
2. Mount fan body to the joist or stud using wood screws (AA) where indicated by arrows outside fan body.



### 3. Installation With Suspension Brackets

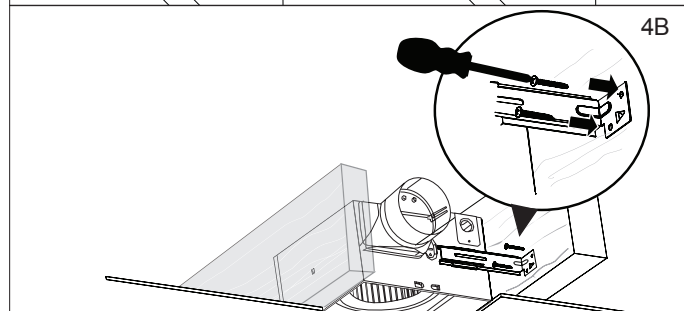
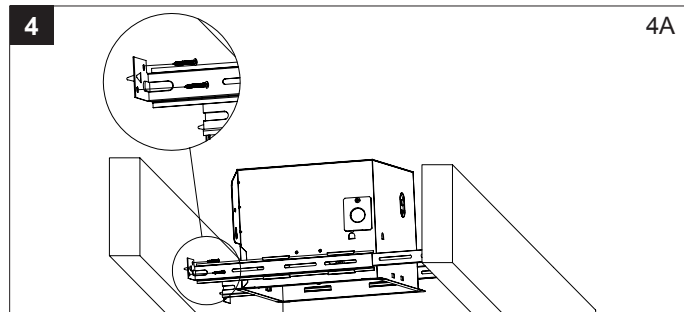
Insert suspension bracket onto fan housing using suspension bracket I and II. Position fan housing so edge of fan is flush with sheetrock. Do not flush mount housing with joist.

Mounting with joist spacing of 12 in. to 24 in.



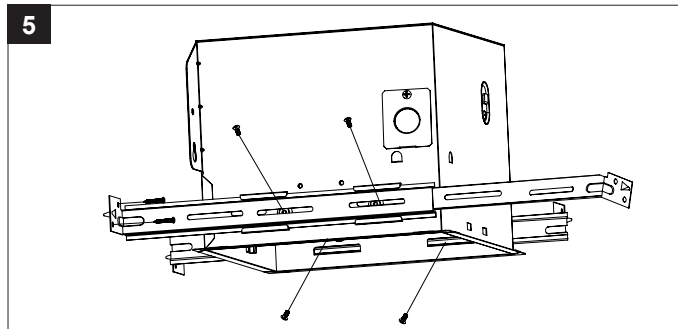
4. Fig. 4A - Secure the fan housing to joist with suspension brackets using M4x30 wood screws (AA) (included). (Joist spacing of less than 21-1/4 in.)

Fig. 4B - Mounting with joist spacing of 21-1/4 in. to 23-1/2 in.



## NEW CONSTRUCTION INSTALLATION INSTRUCTIONS (continued)

5. Secure the suspension bracket (C) to fan housing using screw (CC) (included). Secure suspension brackets (D, E) with screws (BB) (included).



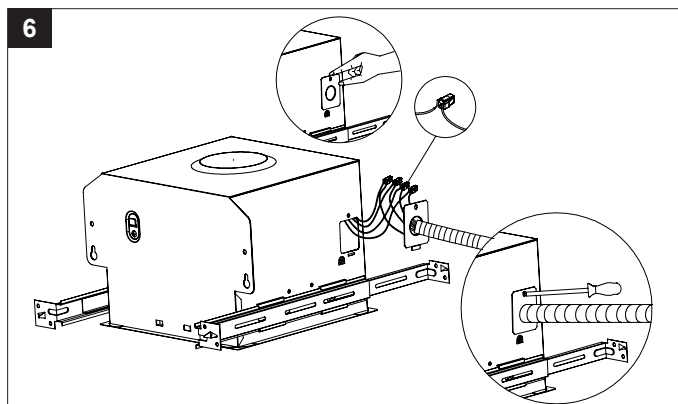
6. Remove junction box cover as shown in illustration number 6. Using quick connect ports, connect house wires to the switch and fan. Please refer to the wiring diagram on page 5 to ensure proper wire connections are being made.

Note: Do not use metal wall plate with the switch, as it may cause interference with the fan operation.

**ATTENTION:** The switch included with this ventilation fan requires a neutral wire connection. If a neutral line is not present, one must be run by a qualified electrician.

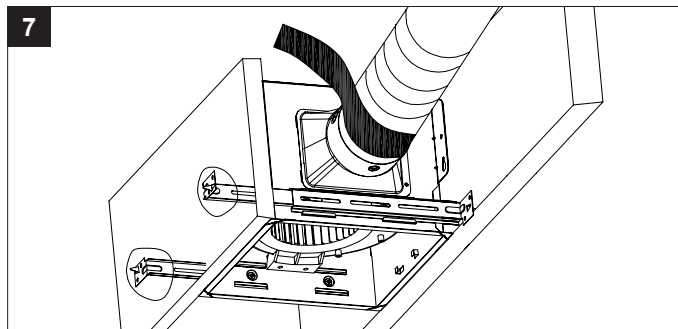
If you require assistance, please call 1-877-319-3757 before attempting switch installation.

**NOTE:** This switch is intended to only operate independently with this bath fan. Connections to other electrical fixtures are prohibited and could cause electrical issues.

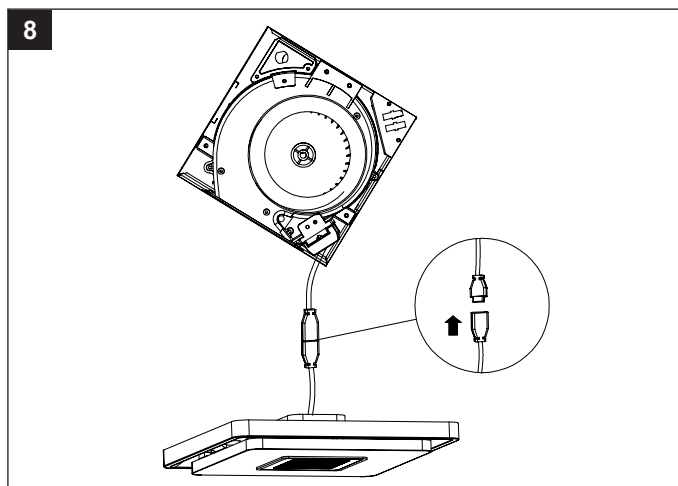


7. Connect a 4 in. circular duct and vent to the outside. Secure it with duct tape or clamp.

Turn on power source.



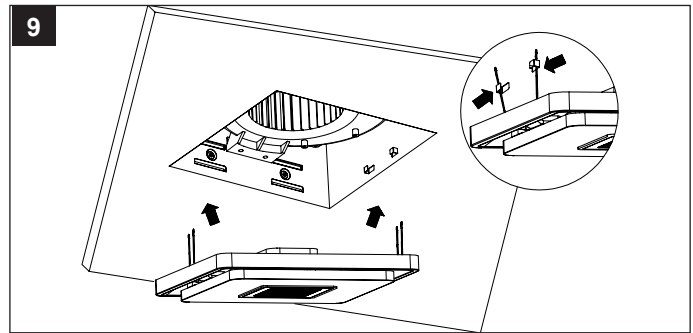
8. Join the connectors for the BLUETOOTH® speaker.



## NEW CONSTRUCTION INSTALLATION INSTRUCTIONS (continued)

- Attach grille by pinching mounting springs and inserting into narrow rectangular slots in the fan housing.

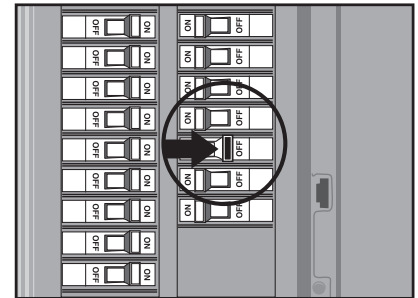
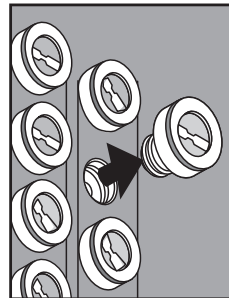
Turn on power source.



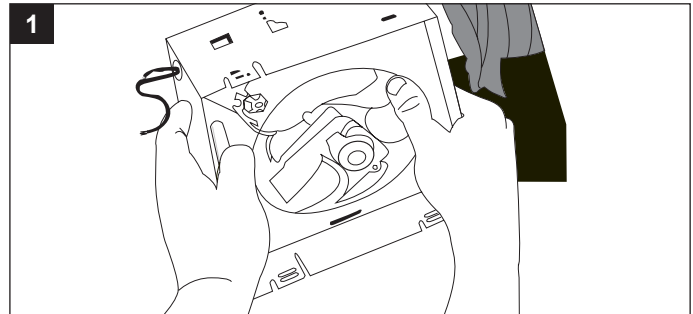
## EXISTING CONSTRUCTION INSTALLATION INSTRUCTIONS

### BEFORE INSTALLATION

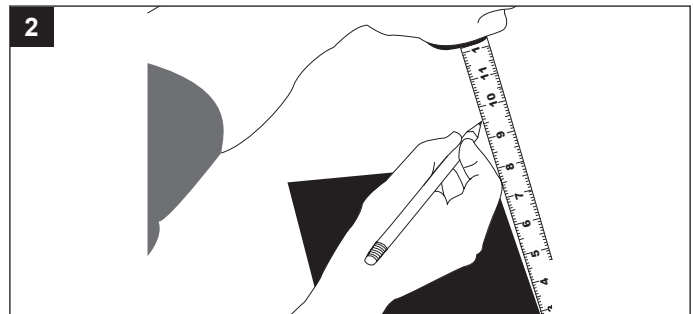
**WARNING: RISK OF ELECTRIC SHOCK.** Ensure the electricity to the wires you are working on is shut off. Either remove the fuse or turn off the circuit breaker before removing the existing bath fan or installing the new one.



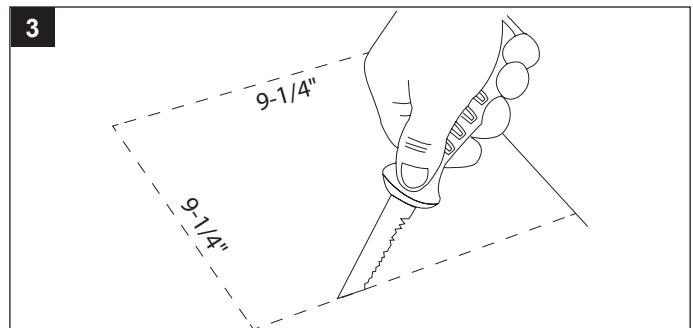
- Remove existing fan.



- Measure the opening to ensure it is large enough to accommodate the new fan housing (9-1/4 in. x 9-1/4 in.).



- If this fan is not replacing an old fan, be sure to cut a 9-1/4 in. x 9-1/4 in. opening for the fan housing.

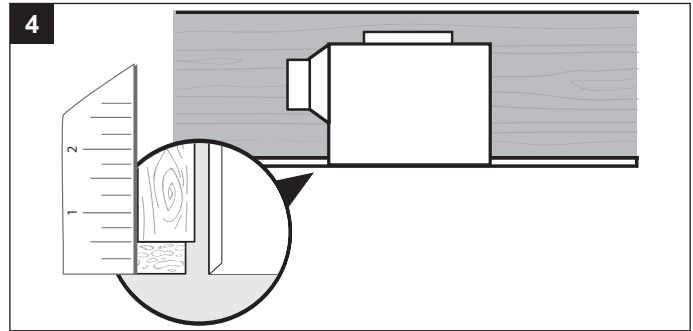




## EXISTING CONSTRUCTION INSTALLATION INSTRUCTIONS (continued)

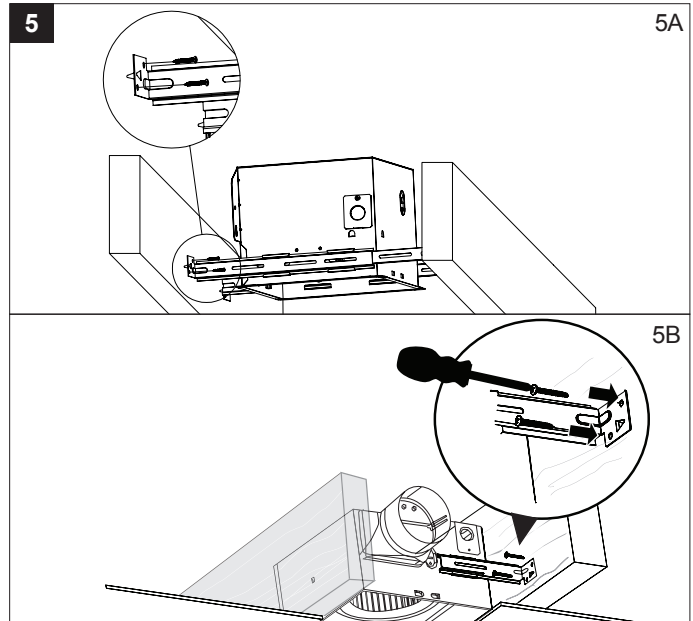
4. Position fan housing so edge of fan is flush with ceiling board/ sheetrock. Do not flush mount housing with joist.

**NOTE: HOUSING MUST BE INSTALLED FLUSH WITH CEILING BOARD/SHEETROCK OR THE GRILLE MOUNTING SPRING WILL NOT BE LONG ENOUGH TO INSERT INTO THE SLOTS INSIDE THE FAN HOUSING.**

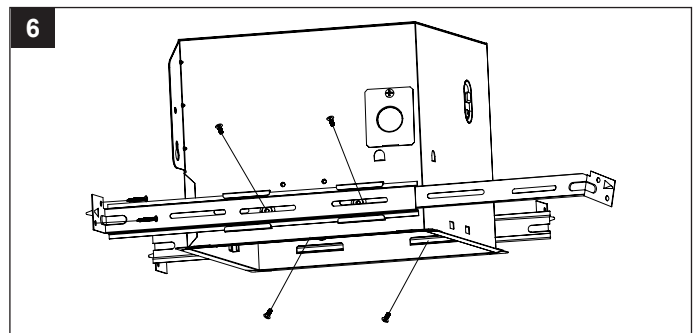


5. Fig. 5A - Secure the fan housing to joist with suspension brackets using M4x30 wood screws (AA) (included). (Joist spacing of less than 21-1/4 in.)

Fig. 5B - Mounting with joist spacing of 21-1/4 in. to 23-1/2 in.



6. Secure the suspension bracket (C) to fan housing using screw (CC) (included). Secure suspension brackets (D, E) with screws (BB) (included).



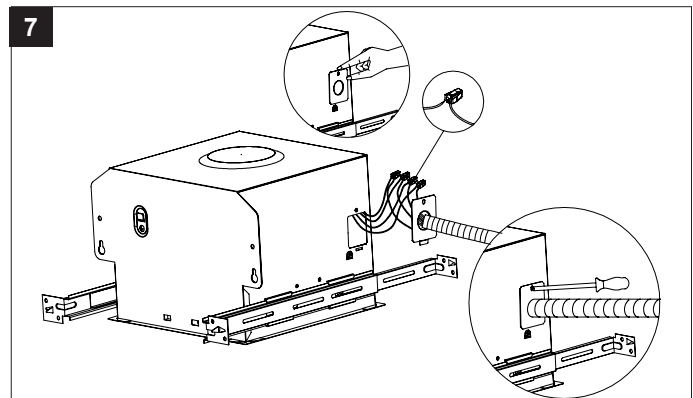
7. Remove junction box cover as shown in illustration number 7. Using quick connect ports, connect house wires to the switch and fan. Please refer to the wiring diagram on page 5 to ensure proper wire connections are being made.

Note: Do not use metal wall plate with the switch, as it may cause interference with the fan operation.

**ATTENTION:** The switch included with this ventilation fan requires a neutral wire connection. If a neutral line is not present, one must be run by a qualified electrician.

If you require assistance, please call 1-877-319-3757 before attempting switch installation.

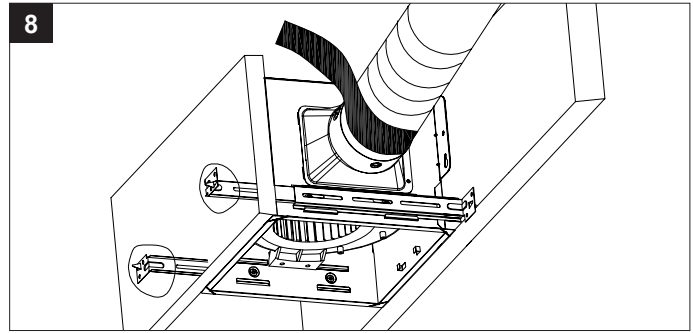
**NOTE:** This switch is intended to only operate independently with this bath fan. Connections to other electrical fixtures are prohibited and could cause electrical issues.



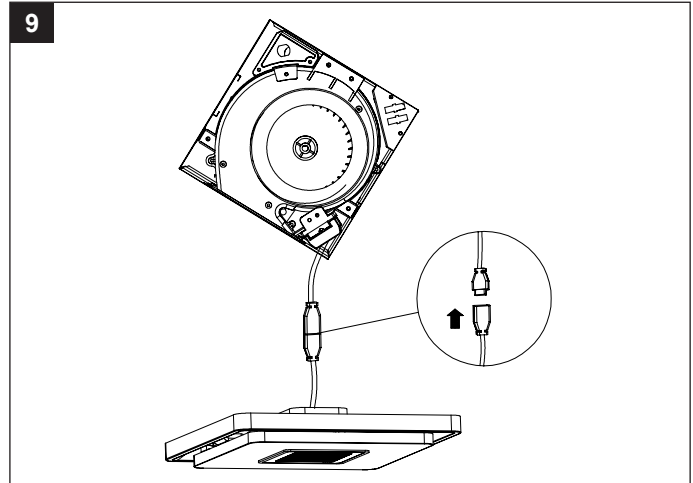
## EXISTING CONSTRUCTION INSTALLATION INSTRUCTIONS (continued)

8. Connect a 4 in. circular duct and vent to the outside. Secure it with duct tape or clamp (not supplied).

Turn on power source. Test the fan.

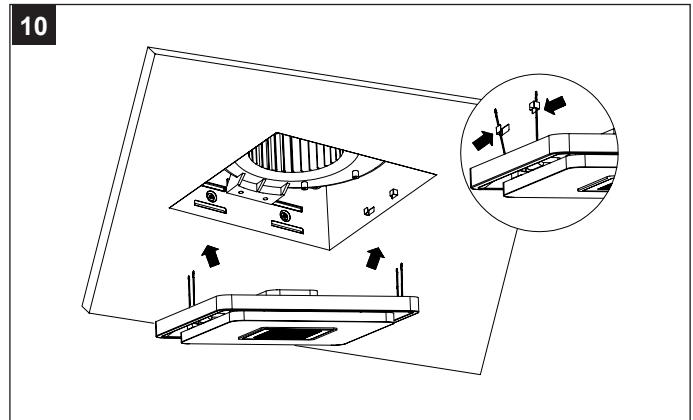


9. Join the connectors for the BLUETOOTH® speaker.



10. Attach grille by pinching mounting springs and inserting into narrow rectangular slots in the fan housing.

Turn on power source.



## PAIRING YOUR BLUETOOTH® DEVICE TO THE SPEAKER

1. To play your personal music files, you need a wireless BLUETOOTH® device.
2. Set your device to a midrange volume before connecting to the speaker.
3. Follow the instructions that came with your BLUETOOTH® device to make it discoverable or to set it to search for other BLUETOOTH® accessories. This may involve entering a passkey or PIN (Personal Identification Number).
4. From the Home screen, choose Settings > BLUETOOTH®, to search for the speaker.  
Note: While your device can maintain multiple pairing records, it can only connect to one accessory at a time. This prevents your device from sending your data to the wrong BLUETOOTH® accessory.
5. Choose the Homewerks® speaker, and then enter a passkey or PIN (0000) if prompted.
6. When pairing is complete, use the BLUETOOTH® speaker to play audio from your device.
7. Optimal volume setting for the BLUETOOTH® speaker is 70% or lower. Settings higher than 70% may cause sound distortion.

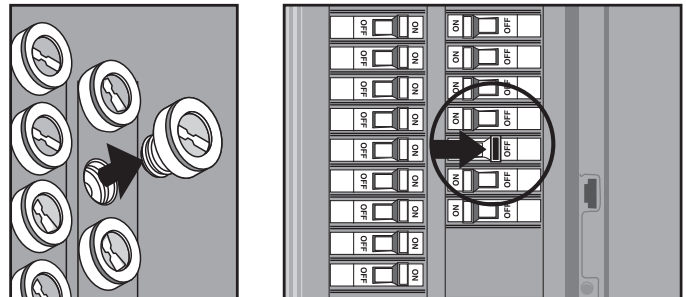
## CARE AND CLEANING

**CAUTION: Before attempting to clean the fixture, disconnect the power to the fixture by turning the breaker off or removing the fuse from the fuse box.**

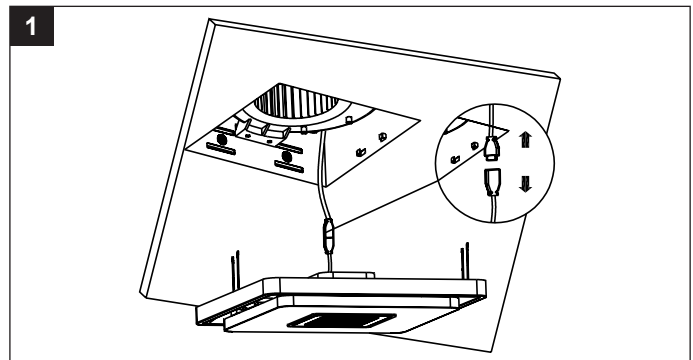
- See safety information before proceeding. Routine maintenance should be done at least once a year.
- Never use solvents, thinner or harsh chemicals for cleaning the fan.
- Do not allow water to enter the motor.
- Do not immerse metal parts in water.
- Do not immerse resin parts in water more than 140°F.
- Do not immerse BLUETOOTH® speaker in water.

## CARE AND CLEANING

Turn off power source. Review all safety precautions.

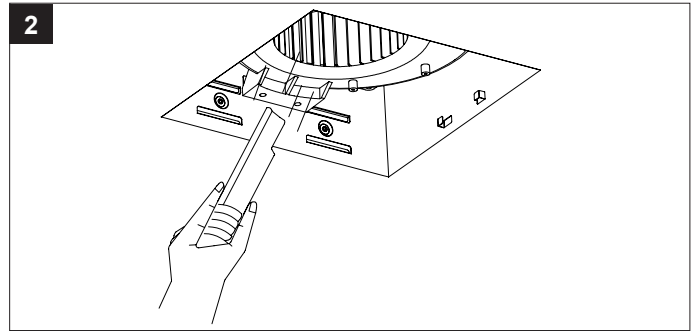


1. Remove grille by squeezing springs and pulling down. Wipe grille with a damp cloth.

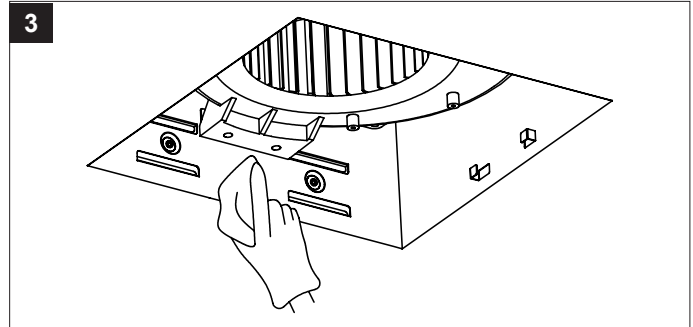


## CARE AND CLEANING

2. Remove dust and dirt from the fan housing with a vacuum cleaner.

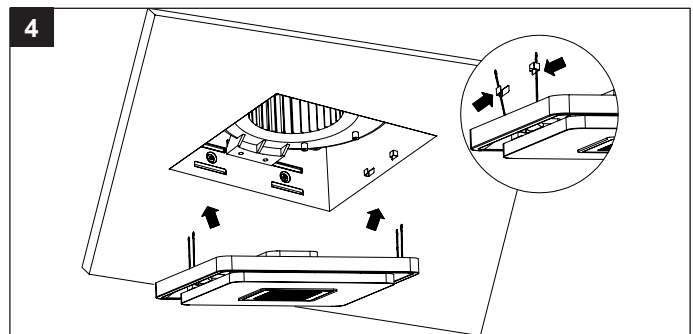


3. Wipe the fan housing with a damp cloth and wipe dry.



4. Replace the BLUETOOTH® speaker and grille.

Turn on power source.



## TROUBLESHOOTING

PROBLEM	POSSIBLE CAUSE	CORRECTIVE ACTION
The fan seems louder than it should.	CFM too great	Be sure the CFM rating on the fan matches the square footage of your room.
	The damper is damaged or not working properly.	Check the damper to ensure it is opening and closing properly. If the damper has become damaged, please call Customer Service.
	The bend in the duct is too close to the fan discharge.	Be sure you do not have any sharp bends in the duct within 18 in. of the fan discharge.
	The fan discharge is reduced to fit a smaller duct.	Use the recommended size ducting to reduce fan noise.
The fan is not clearing humidity from the room.	The fan body is not attached securely.	Be sure the fan is securely attached to the ceiling joists.
	There is insufficient airflow intake in the room.	Be sure a door or window is slightly ajar or open to allow airflow. The fan is not able to draw air out of the room without enough airflow.
Bluetooth device will not pair with the fan.	There is insufficient CFM. <b>NOTE:</b> Using a tissue is not the correct method for determining if the fan is operating properly. If the fan clears steam from the room within approximately 15 minutes of completing your shower, then the fan is operating properly.	Be sure the CFM rating of the fan matches the square footage of your room.
	Another device is already paired.	Make sure BLUETOOTH® signal is turned off on other devices.

## **FAN – LIMITED 3-YEAR WARRANTY**

---

If the fan fails due to a defect in materials or workmanship at any time during the first three (3) years of ownership, the manufacturer will replace it free of charge, postage-paid at their option. This warranty does not cover products that have been abused, altered, damaged, misused, cut or worn. This warranty does not cover use in commercial applications. Use only manufacturer-supplied genuine warranty repair replacement parts to repair this fan. Use of non-genuine repair parts will void your warranty. The manufacturer DISCLAIMS all other implied or express warranties including all warranties of merchantability and/or fitness for a particular purpose. As some states do not allow exclusions or limitations on an implied warranty, the above exclusions and limitations may not apply. This warranty gives you specific legal rights, and you may have other rights that vary from state to state.

This warranty is limited to the replacement of defective parts only. Labor charges and/or damage incurred during installation, repair, replacement as well as incidental and consequential damages connected with the above are excluded. Any damage to this product as a result of neglect, misuse, accident, improper installation or use other than the purpose SHALL VOID THIS WARRANTY.

Shipping costs for return product as part of a claim on the warranty must be paid for by the customer.

Inquiries regarding warranty claims can be directed to 1-877-319-3757, 7:30 a.m. - 4:30 p.m., CST, Monday - Friday.

## **BLUETOOTH® SPEAKER – LIMITED 1-YEAR WARRANTY**

---

If the BLUETOOTH® speaker fails due to a defect in materials or workmanship at any time during the first year of ownership, the manufacturer will replace it free of charge, postage-paid at their option. This warranty does not cover products that have been abused, altered, damaged, misused, cut or worn. This warranty does not cover use in commercial applications. Use only manufacturer-supplied genuine warranty repair replacement parts to repair this fan. Use of non-genuine repair parts will void your warranty. The manufacturer DISCLAIMS all other implied or express warranties including all warranties of merchantability and/or fitness for a particular purpose. As some states do not allow exclusions or limitations on an implied warranty, the above exclusions and limitations may not apply. This warranty gives you specific legal rights, and you may have other rights that vary from state to state.

This warranty is limited to the replacement of defective parts only. Labor charges and/or damage incurred during installation, repair, replacement as well as incidental and consequential damages connected with the above are excluded. Any damage to this product as a result of neglect, misuse, accident, improper installation or use other than the purpose SHALL VOID THIS WARRANTY.

Shipping costs for return product as part of a claim on the warranty must be paid for by the customer.

Inquiries regarding warranty claims can be directed to 1-877-319-3757, 7:30 a.m. - 4:30 p.m., CST, Monday - Friday.