

Chandler Systems would like to thank you upon your decision of purchasing the Revere 2014. Feel free to visit us at www.chandlersystemsinc.com to see our full line of products

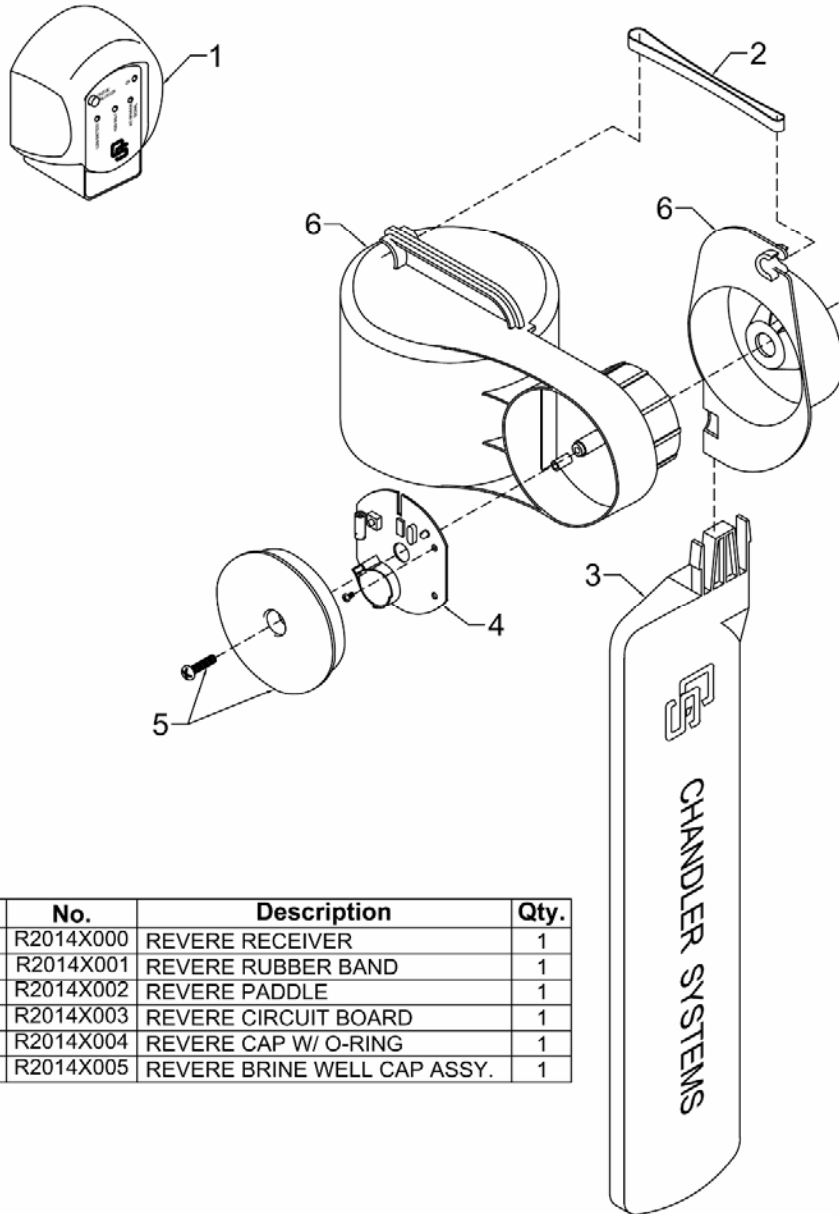
For current news and product videos you may also visit us on:



Revere 2014



Wireless Salt Sensor System



No.	Description	Qty.
1	R2014X000 REVERE RECEIVER	1
2	R2014X001 REVERE RUBBER BAND	1
3	R2014X002 REVERE PADDLE	1
4	R2014X003 REVERE CIRCUIT BOARD	1
5	R2014X004 REVERE CAP W/ O-RING	1
6	R2014X005 REVERE BRINE WELL CAP ASSY.	1

For normal operation:

1. Remove the rubber band from the transmitter (PN)
2. Insert the batteries into both the receiver (PN) and the transmitter. An alarm will sound when the receiver is ready.
3. The units should synchronize within 60 seconds, otherwise the NO SENSOR SIGNAL indicator will flash.
4. Attach the lid (PN?) to the transmitter, and secure it in place with the plastic screw (PN).
5. Install the transmitter on the brine well. Add salt to the brine well, making sure to pour on the side opposite the transmitter.
6. Attach the rubber band to the transmitter.
7. The receiver can be placed _____ from the transmitter.

For test mode:

1. Hold the receiver's CHECK/SILENCE button while inserting the batteries. Keep the button depressed until the alarm beeps.
 2. Insert the battery into the transmitter.
- The batteries will need to be removed in order to exit test mode.

Adding salt:

1. Remove the rubber band from the transmitter unit.
2. Add salt to the brine well, making sure to pour on the side opposite the transmitter.
3. Attach the rubber band to the transmitter.

Note: The receiver will take up to 7 hours to update the salt status. The alarm can be silenced up to 48 hours by pressing the CHECK/SILENCE button.

Indicators:

The LOW BATTERY indicator will flash when the receiver battery is running low.
 The ADD SALT indicator will flash when there is not enough salt in the brine well to keep the paddle (PN?) in place.
 The NO SENSOR SIGNAL indicator will flash when the signal is too weak or not synchronized, but it will also flash if the transmitter battery is low.
 The OK indicator will flash when the receiver is synchronizing, or if it has already received an OK status.

If the batteries need to be taken out of either of the units for any reason, it is advised to discharge the circuit by pressing the corresponding unit's button after the batteries have been removed.

//Pairing the units (necessary only for installation of new receiver):

- //1. Remove the rubber band from the transmitter (PN).
- //2. Insert the batteries into both the receiver (PN) and the transmitter. An alarm //will sound when the receiver is ready.
- //3. Hold down the receiver's CHECK/SILENCE button for 5 seconds, then quickly //release and press the button 3 times.
- //4. When the units are paired, all of the lights will flash while the alarm beeps.

FCC Caution

This device complies with part 15 of the FCC Rules. Operation is subject to the following two conditions: (1) This device may not cause harmful interference, and (2) this device must accept any interference received, including interference that may cause undesired operation.

Note: This equipment has been tested and found to comply with the limits for a Class B digital device, pursuant to part 15 of the FCC Rules. These limits are designed to provide reasonable protection against harmful interference in a residential installation. This equipment generates uses and can radiate radio frequency energy and, if not installed and used in accordance with the instructions, may cause harmful interference to radio communications. However, there is no guarantee that interference will not occur in a particular installation. If this equipment does cause harmful interference to radio or television reception, which can be determined by turning the equipment off and on, the user is encouraged to try to correct the interference by one or more of the following measures:

- Reorient or relocate the receiving antenna.
- Increase the separation between the equipment and receiver.
- Connect the equipment into an outlet on a circuit different from that to which the receiver is connected.
- Consult the dealer or an experienced radio/TV technician for help.