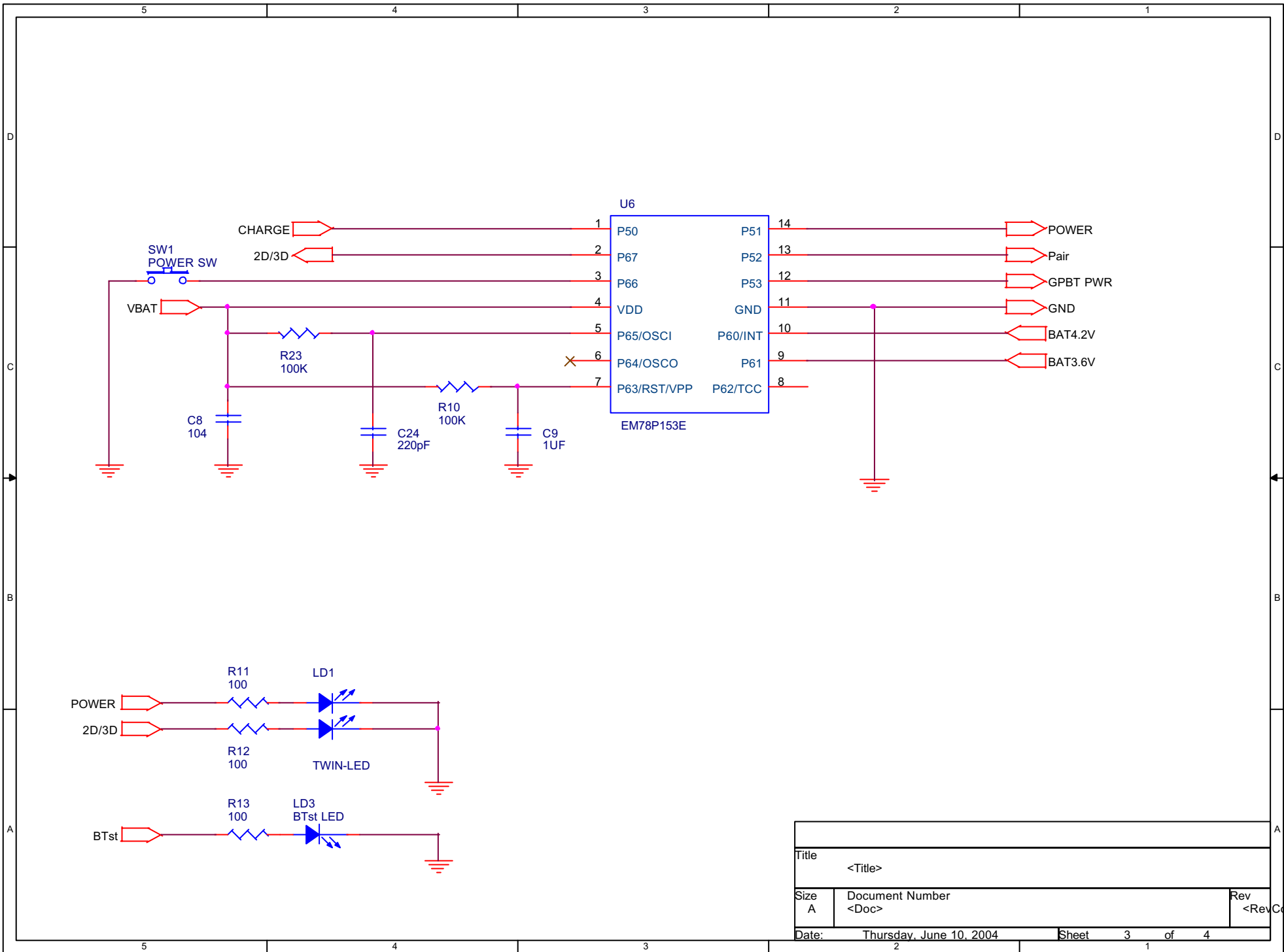
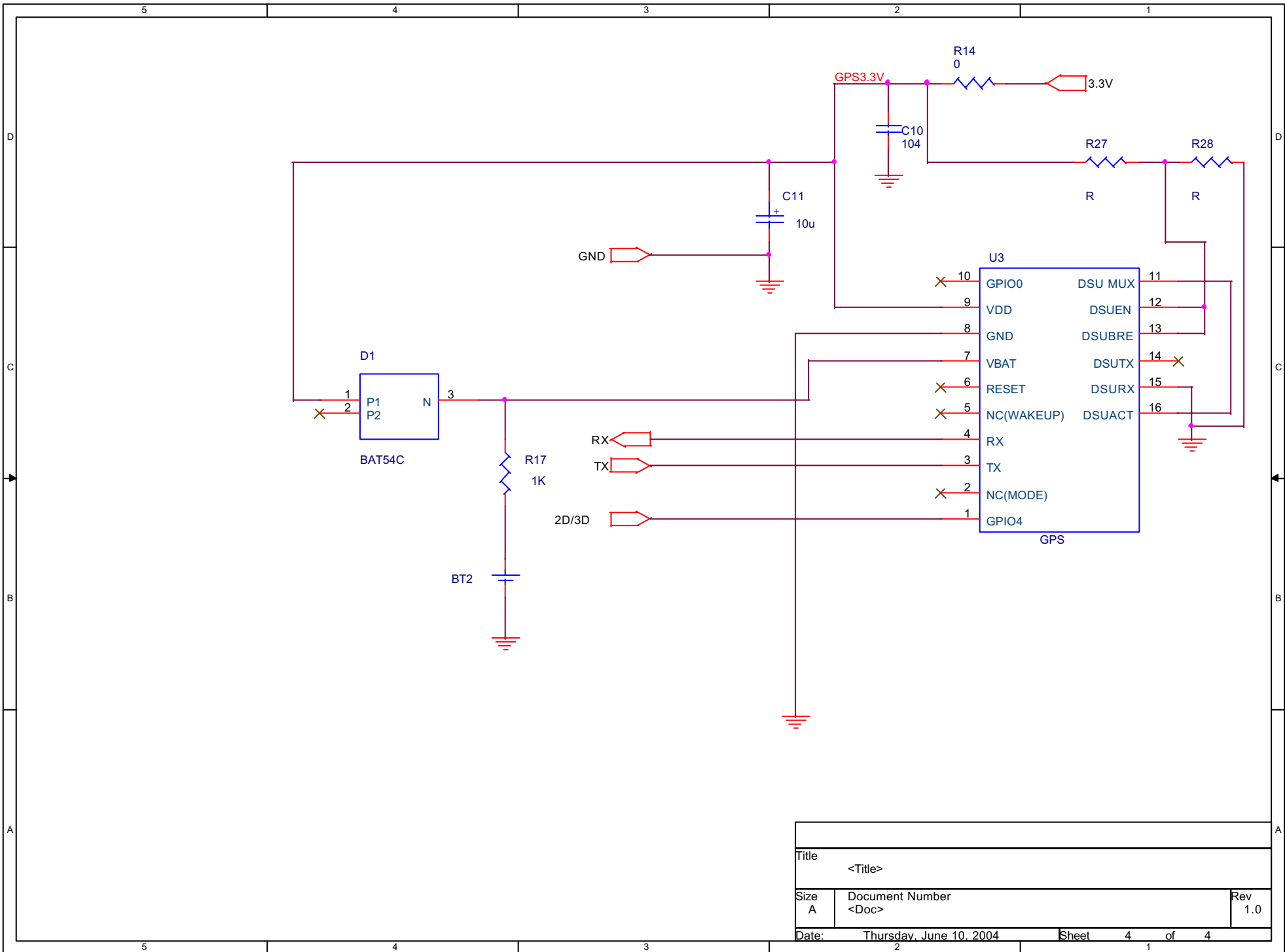


File	<Title>
Size	Document Number
B	<Doc>
Rev	1.0
Date	Thursday, June 10, 2004
Sheet	1 of 4



Title		
<Title>		
Size	Document Number	Rev
A	<Doc>	<RevCode>
Date:	Thursday, June 10, 2004	Sheet 3 of 4
2		





Title		
<Title>		
Size	Document Number	Rev
A	<Doc>	1.0
Date:	Thursday, June 10, 2004	Sheet 4 of 4