

Datasheet

Manufacturer: Laird Connectivity

MPN: Lyra 24S PCB Trace Antenna

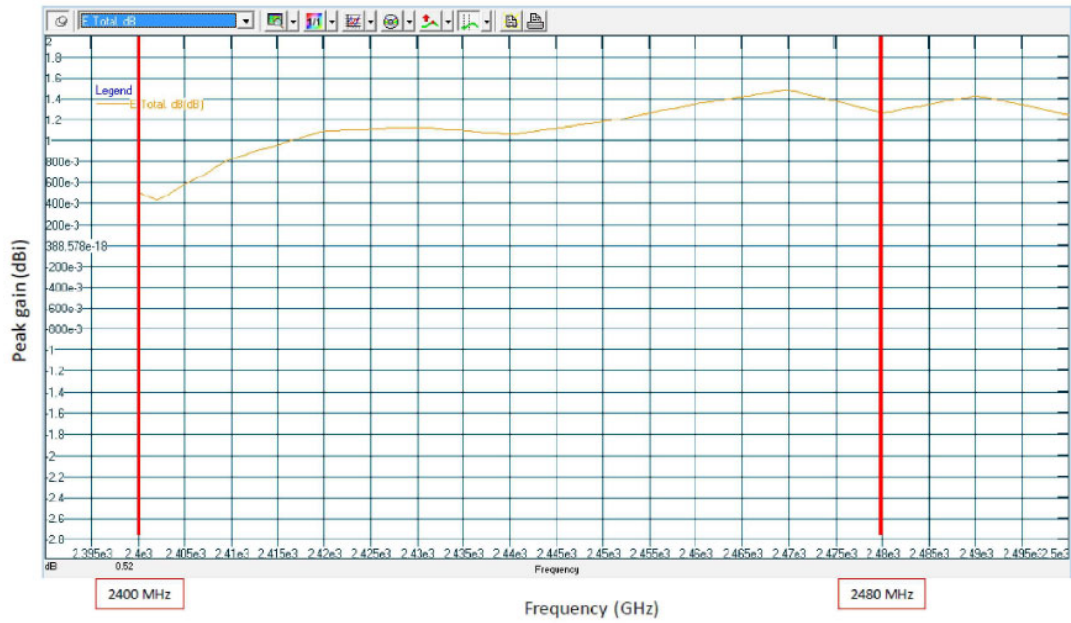
Application: Laird Lyra 24S Module

ANTENNA SPECIFICATION

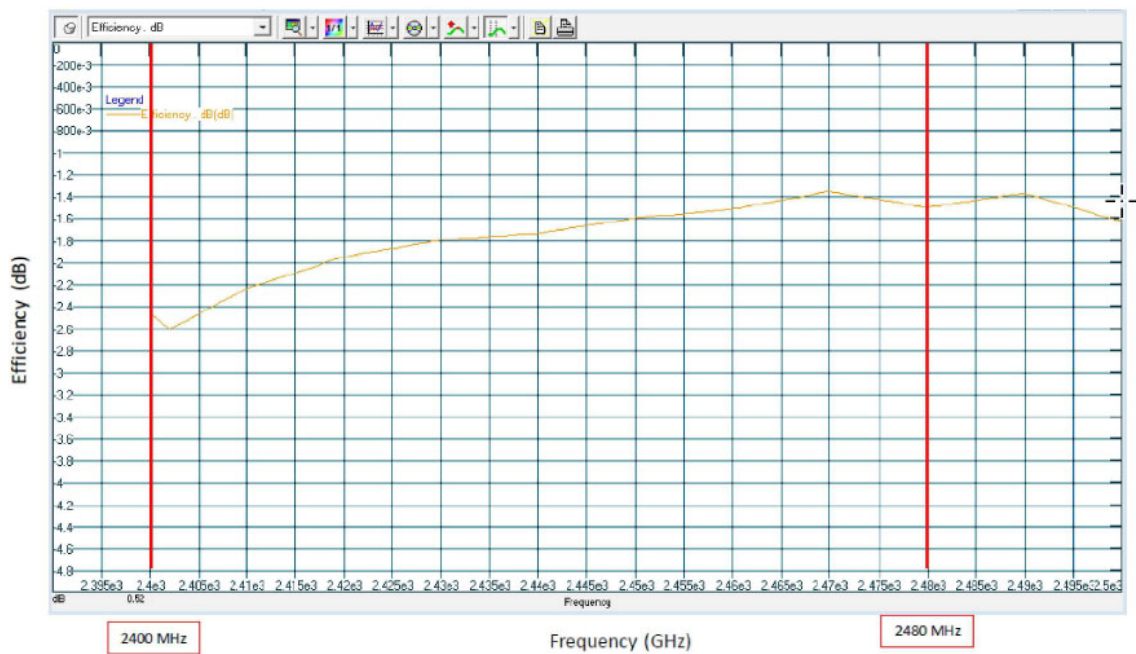
MANUFACTURER	MODEL NAME	PEAK GAIN	
Laird Connectivity	Lyra 24S PCB Trace Antenna	1.48dBi	Antenna efficiency, gain, and radiation pattern are highly dependent on the application PCB layout and mechanical design. Refer to Laird design guide for recommendation to achieve optimal antenna performance.

ANTENNA PATTERN

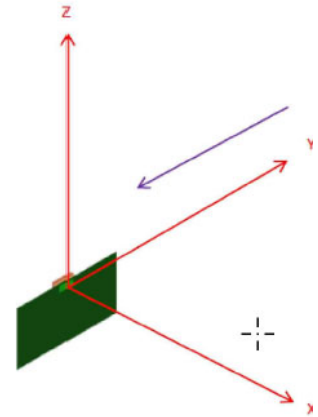
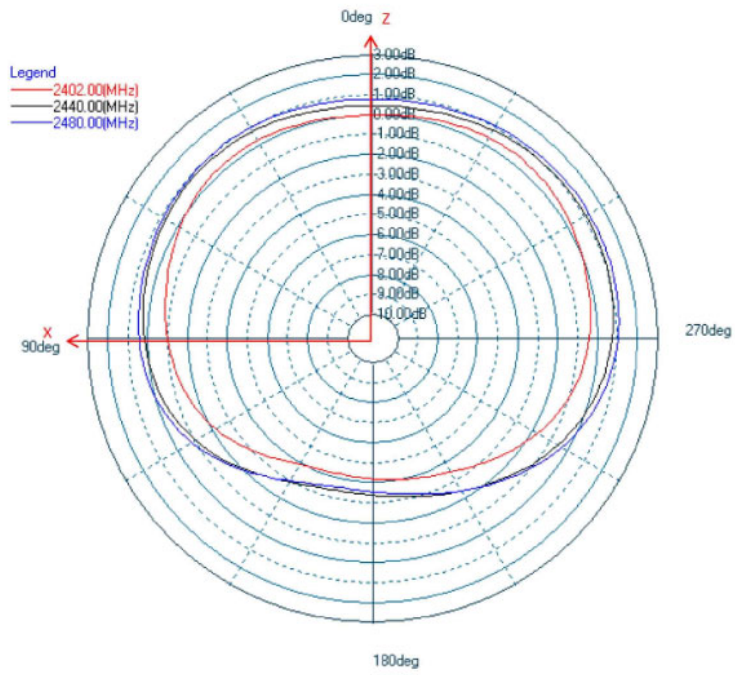
Peak Gain (dBi), max 1.48dBi



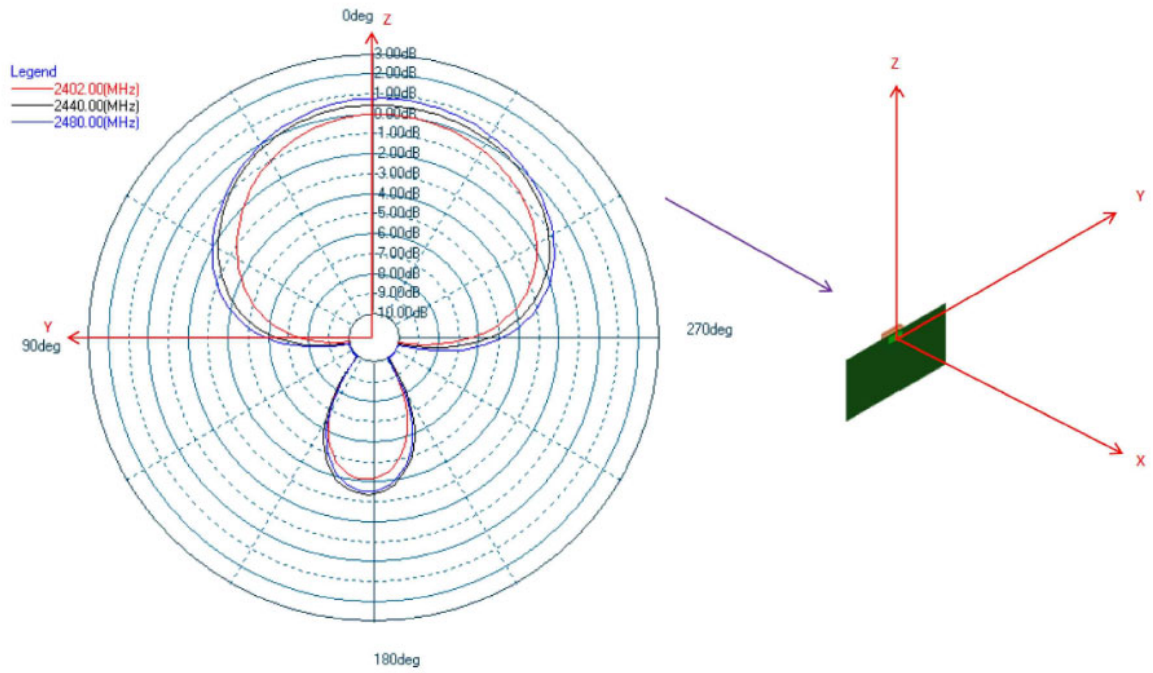
Efficiency (dB), max -1.36dB



Phi0 Gain cut (dBi)



Phi90 Gain cut



Theta90 Gain cut

