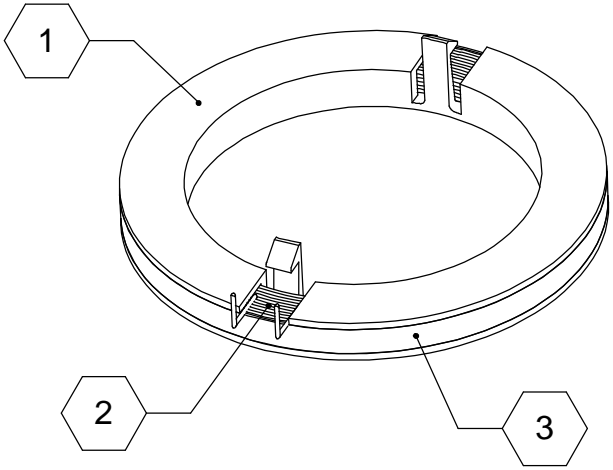
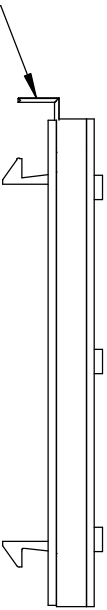
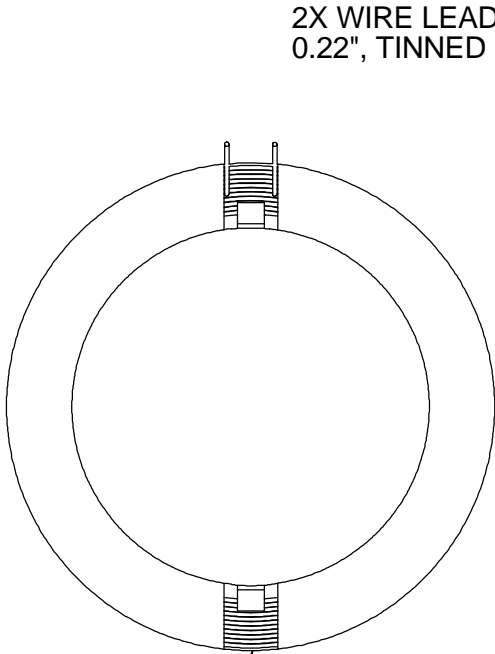


**PROPRIETARY**  
 THIS DRAWING IS THE PROPERTY OF SURE POWER INDUSTRIES AND SHALL NOT BE COPIED, REPRODUCED, LENT, OR DISPOSED OF, NOR USED FOR ANY PURPOSE OTHER THAN THAT FOR WHICH IT IS SPECIFICALLY PROVIDED WITHOUT THE WRITTEN PERMISSION OF SURE POWER INDUSTRIES, INCORPORATED

REVISIONS				
REV	ECO	DESCRIPTION	DATE	BY
A	4287	PRODUCTION RELEASE	10/14/04	GF



**NOTES, UNLESS OTHERWISE SPECIFIED:**

- 1. **COIL FORM MATERIAL: NYLON, 5% MINIMUM TENSILE ELONGATION AT BREAK, 6000 PSI MINIMUM TENSILE STRENGTH AT BREAK, 2% MAXIMUM WATER ABSORPTION, 212°F (100°C) DEFLECTION TEMPERATURE AT 66 PSI. (DETAIL ON SHEET 2)**
- 2. **WIRE: 27-30awg MAGNETIC WIRE WITH ENAMEL COAT, APPROX LENGTH= 32ft.**
- 3. **TAPE: PERMACEL P-212 GLASS CLOTH ELEC. INSULATING.**

UNLESS OTHERWISE SPECIFIED DIMENSIONS ARE IN INCHES [MM]. INTERPRET GEOMETRIC DIMENSIONS AND TOLERANCING PER ASME Y14.5		
DECIMAL	METRIC	ANGLES
.XX ± .02	[.X ± 0.5]	∠ ± 2°
.XXX ± .005	[.XX ± 0.13]	
MATERIAL		
FINISH		
DO NOT SCALE DRAWING		

CAD GENERATED DRAWING. DO NOT MANUALLY UPDATE	
APPROVALS	DATE
DRAWN GT	9/15/04
RESP ENG	
MFG ENG	

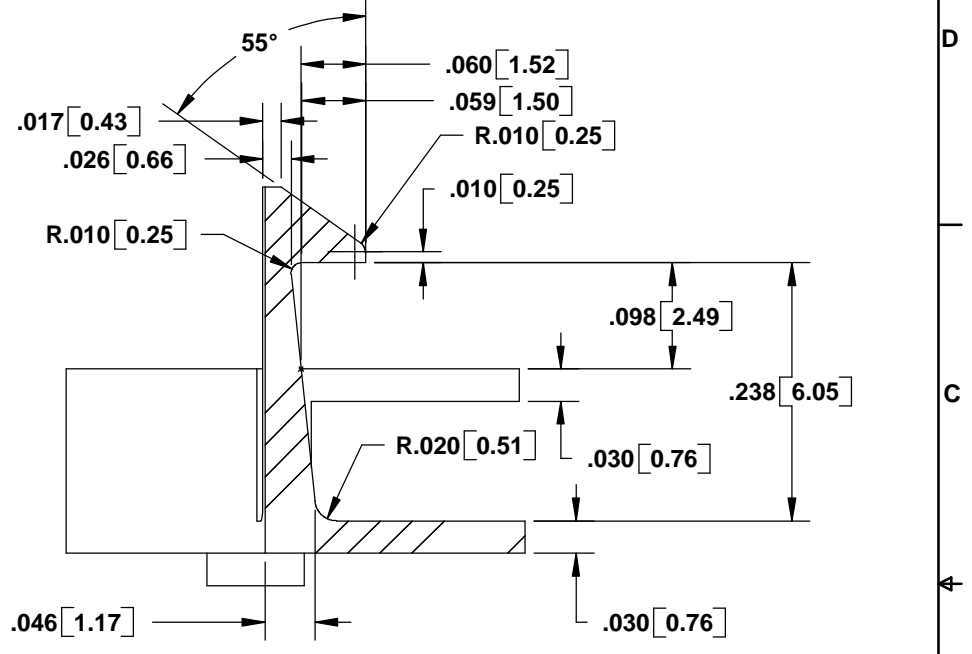
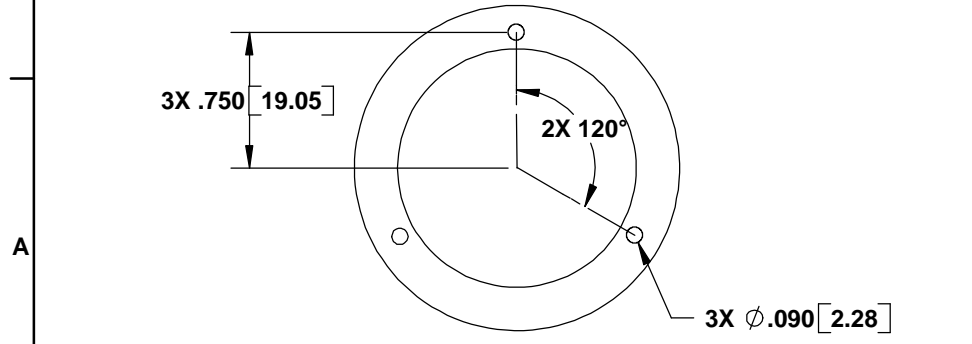
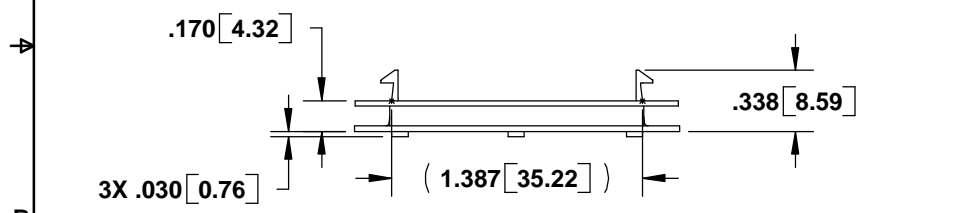
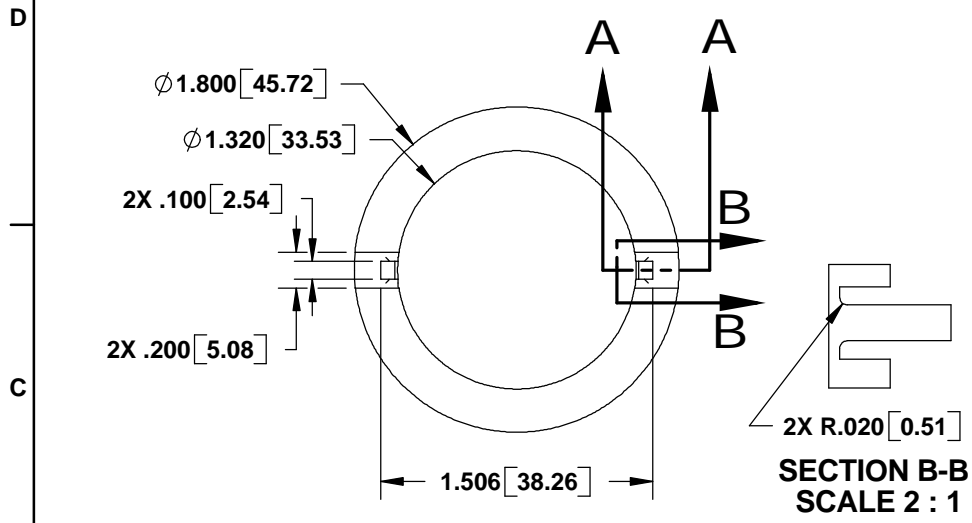


**ASY, IDCTR, RFID, 370UH, 75T**

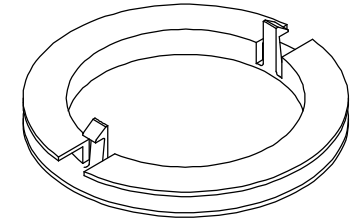
SIZE <b>A</b>	CAGE CODE NO. 55156	DWG NO. <b>350297A</b>	REV <b>A</b>
SCALE: NONE		FILE: 350297A	SHEET 1 OF 2

**PROPRIETARY**  
 THIS DRAWING IS THE PROPERTY OF SURE POWER INDUSTRIES AND SHALL NOT BE  
 COPIED, REPRODUCED, LENT, OR DISPOSED OF, NOR USED FOR ANY PURPOSE OTHER THAN  
 THAT FOR WHICH IT IS SPECIFICALLY PROVIDED WITHOUT THE WRITTEN PERMISSION OF  
**SURE POWER INDUSTRIES, INCORPORATED**

REVISIONS				
REV	ECO	DESCRIPTION	DATE	BY
(SEE SHEET 1)				



**SECTION A-A**  
**SCALE 6 : 1**  
**2 PLACES**



**THIS VIEW FOR**  
**REFERENCE ONLY**



**ASY,IDCTR,RFID,370UH,75T**

SIZE <b>A</b>	CAGE CODE NO. 55156	DWG NO. <b>350297A</b>	REV <b>A</b>
SCALE: NONE FILE: 350297A sh2			SHEET 2 OF 2