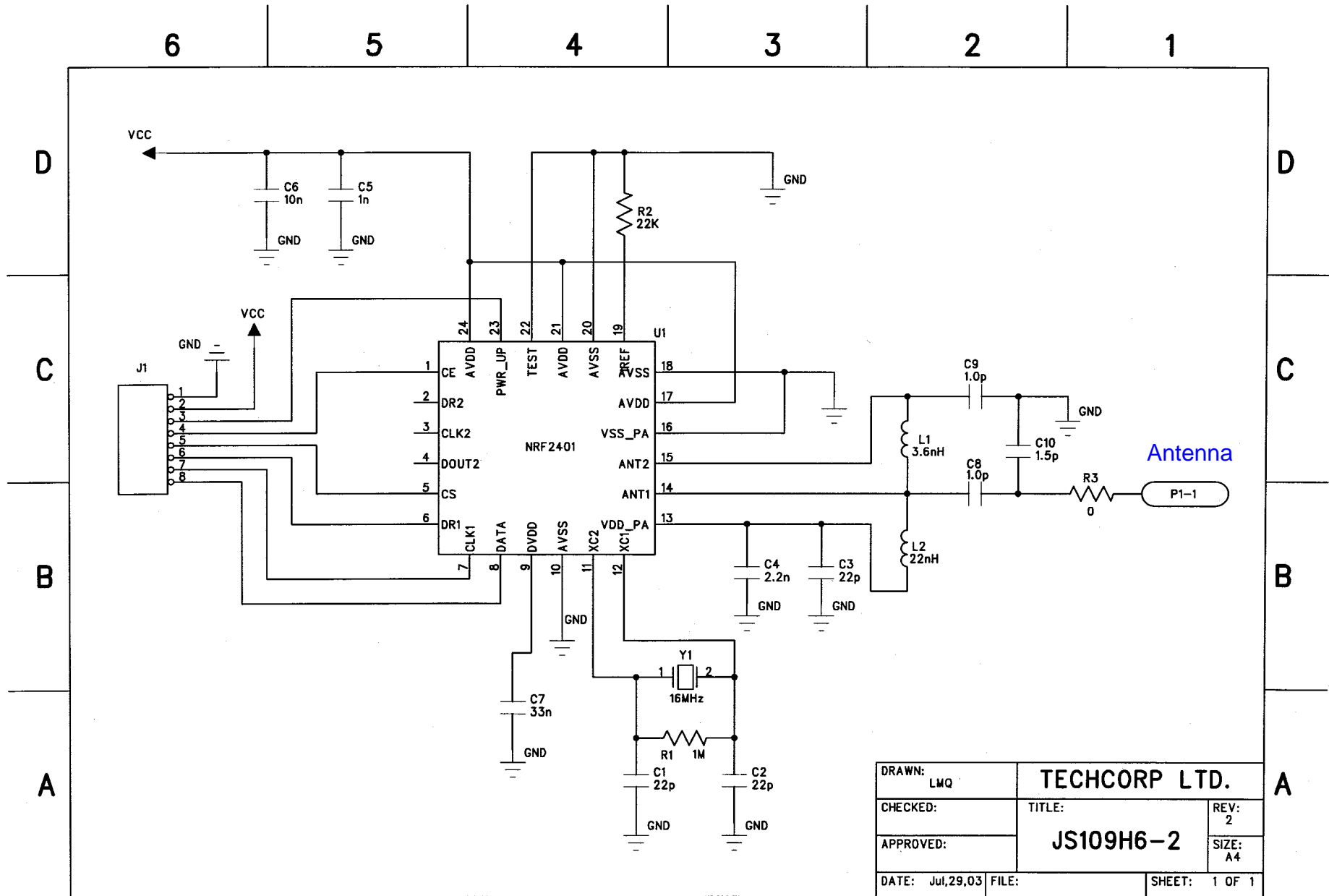


DRAWN: LMQ	TECHCORP LTD.	
CHECKED:	TITLE:	REV: D1
APPROVED:	JS109H	
	TX	
DATE: 2004-5-1	FILE: SCH-109HPN020109	SHEET: 1 OF 1



DRAWN: LMQ		TECHCORP LTD.	
CHECKED:		TITLE:	REV: 2
APPROVED:		JS109H6-2	SIZE: A4
DATE: Jul,29,03	FILE:	SHEET: 1 OF 1	