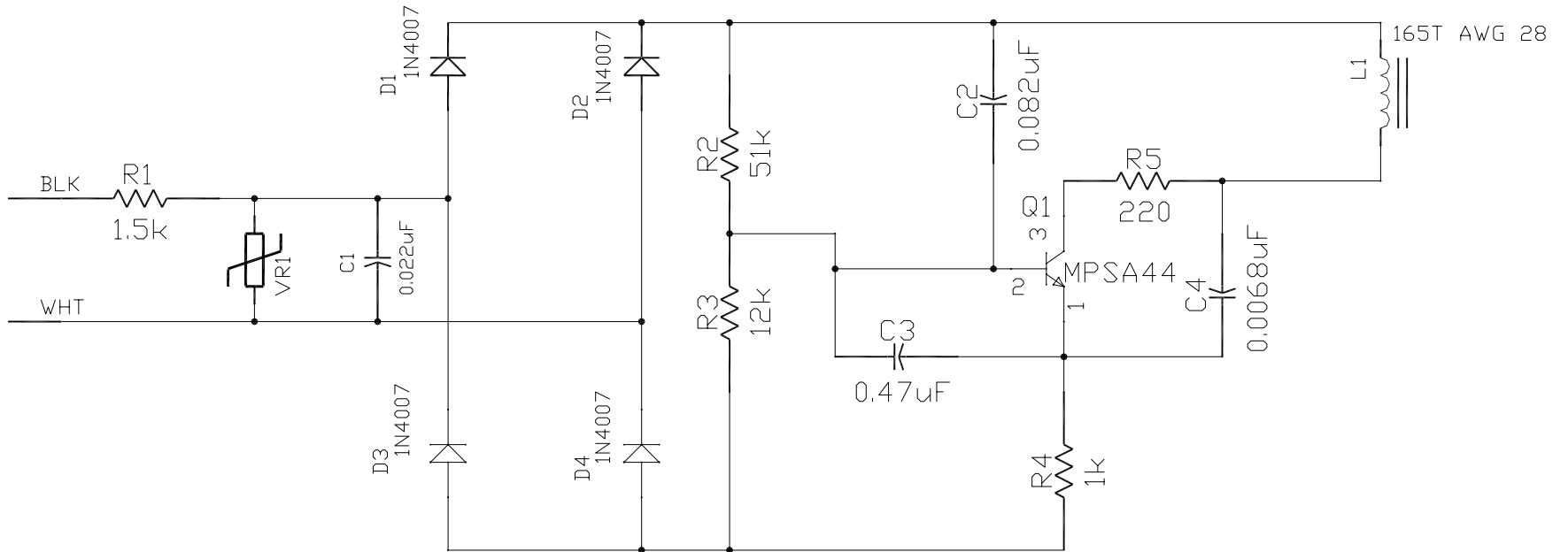


REVISIONS			
LTR	DESCRIPTION	DATE	APPROVED
A	RESPECIFIED R1		



- NOTES:
1. R1 is 0.5 Watt Fusible Metal Film
 2. All other resistors are 1/4W, 5%
 3. C1 +/-20%
 4. All other capacitors are +/- 5%

UNLESS OTHERWISE SPECIFIED: DIMENSIONS ARE IN INCHES TOLERANCES DECIMALS ANGULAR .XX ±.03 ± 2° .XXX ±.005 FRACTIONS .XXXX ±.0010 ± 1/32" DO NOT SCALE DRAWING	DWN	2/28/2005	PACIFIC BIOSCIENCE LABS INC. 13222 SE 30TH ST. #1A, BELLEVUE WA. 98005 (425) 283-5700	
	KAP		TITLE SCHEMATIC, PCB, CHARGER	
MATERIAL SEE NOTES	CHK	APVD	SIZE A	DWG NO. 3132
FINISH			REV. A	
SCALE 1:1			SHEET 1 OF 1	